



US00D741629S

(12) **United States Design Patent**
Meissner et al.

(10) **Patent No.:** **US D741,629 S**

(45) **Date of Patent:** **** *Oct. 27, 2015**

(54) **BOOKCASE**

D294,787 S 3/1988 Berry, Jr.
4,819,814 A 4/1989 Fogelgren
4,875,737 A 10/1989 Cardenas
4,934,756 A 6/1990 Webb et al.

(71) Applicant: **Color Ink, Inc.**, Sussex, WI (US)

(Continued)

(72) Inventors: **Edward Todd Meissner**, Hartland, WI (US); **Randy M. Klibowitz**, Oconomowoc, WI (US)

FOREIGN PATENT DOCUMENTS

(73) Assignee: **COLOR INK, INC.**, Sussex, WI (US)

EP 1714776 10/2006
WO WO 97/00039 1/1997

(*) Notice: This patent is subject to a terminal disclaimer.

(Continued)

OTHER PUBLICATIONS

(**) Term: **14 Years**

Office Action dated Nov. 26, 2013 regarding Design U.S. Appl. No. 29/467,646, 6 pages.

(21) Appl. No.: **29/472,738**

(Continued)

(22) Filed: **Nov. 15, 2013**

Primary Examiner — Kelley Donnelly

(51) **LOC (10) Cl.** **06-06**

(74) *Attorney, Agent, or Firm* — Ryan Kromholz & Manion, S.C.

(52) **U.S. Cl.**
USPC **D6/675.1**

(58) **Field of Classification Search**
USPC D6/396–397, 449, 473, 477–479, 511, D6/675, 675.1; 108/59–60, 91–93; 211/36, 211/42–43, 85.1–85.2, 188; 312/107–108
CPC A47B 63/00; A47B 65/00; A47B 65/10–65/20; A47B 65/15
See application file for complete search history.

(57) **CLAIM**

The ornamental design for a bookcase, as shown and described.

DESCRIPTION

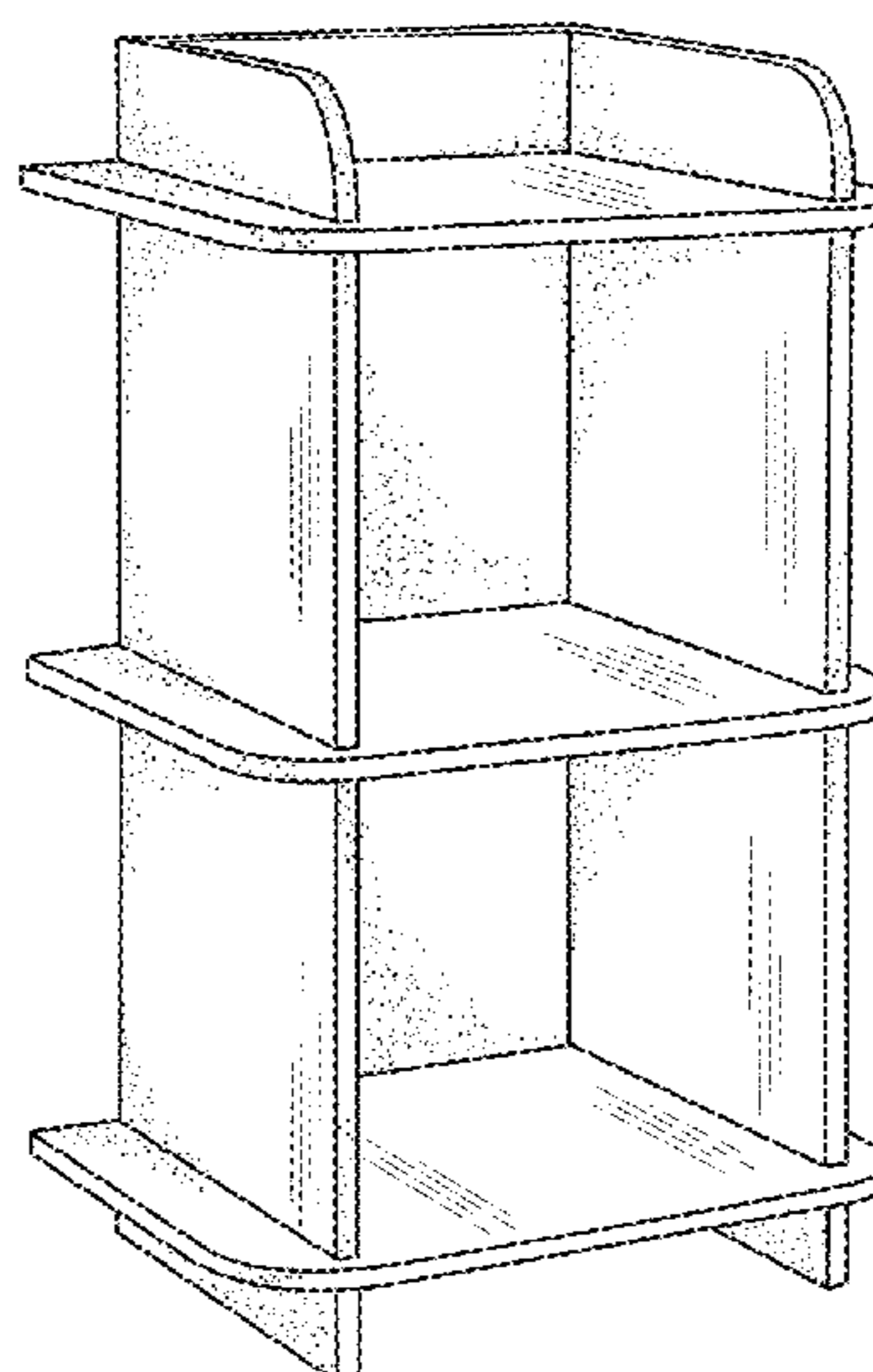
FIG. 1 is a front perspective view of an embodiment of the shelving unit;
FIG. 2 is a front perspective view thereof and showing items in place in dotted line;
FIG. 3 is a front elevation view thereof;
FIG. 4 is a rear elevation view thereof;
FIG. 5 is a right side elevation view thereof;
FIG. 6 is a left side elevation view thereof;
FIG. 7 is a top plan view thereof; and,
FIG. 8 is a bottom plan view thereof.
The broken lines are for the purpose of illustrating the environment of the article only and form no part of the claimed design.

(56) **References Cited**

U.S. PATENT DOCUMENTS

D112,864 S 1/1939 Schiup
2,366,677 A 1/1945 Rosenthal
2,649,137 A 8/1953 Roberts
3,113,356 A 12/1963 Piper
3,312,503 A 4/1967 Suzuki
3,620,175 A 11/1971 Crane et al.
D234,413 S 3/1975 Hauner
D247,273 S 2/1978 Peters
4,085,970 A 4/1978 Klein
D248,196 S 6/1978 Gordon, Sr.
D260,716 S 9/1981 Cohen et al.

1 Claim, 4 Drawing Sheets



(56)

References Cited

U.S. PATENT DOCUMENTS

D330,475 S 10/1992 Bennett
 D334,977 S 4/1993 Avari
 5,263,766 A 11/1993 McCullough
 D348,577 S 7/1994 Simpson
 D352,182 S 11/1994 Yoshimura
 5,363,775 A 11/1994 Simpson
 5,450,998 A 9/1995 Esse et al.
 5,644,995 A 7/1997 Gurwell et al.
 D384,838 S 10/1997 Topper et al.
 D402,229 S 12/1998 Christensen
 D403,900 S 1/1999 Hutton
 5,855,175 A 1/1999 Forbes
 D408,176 S 4/1999 Rollins et al.
 D416,147 S 11/1999 Dickinson et al.
 6,027,188 A 2/2000 Nickens
 D426,987 S 6/2000 Lewis
 D450,488 S 11/2001 Stone et al.
 D450,518 S 11/2001 Frederick
 6,532,878 B2 3/2003 Tidemann
 D476,510 S 7/2003 Henry et al.
 D477,165 S 7/2003 Petri
 D483,966 S 12/2003 Forlenza et al.
 D501,338 S 2/2005 Deasy et al.
 D503,569 S 4/2005 Lenger
 D529,726 S 10/2006 Cutler et al.
 D535,497 S 1/2007 Portnoy
 D552,900 S 10/2007 Wilenius
 D553,393 S 10/2007 Cassel
 D556,474 S 12/2007 Good
 D562,594 S 2/2008 Thompson
 D565,331 S 4/2008 Miller
 D568,626 S 5/2008 Gharabegian
 D592,891 S 5/2009 Alfonso

D595,515 S 7/2009 Collette
 7,625,047 B2 12/2009 Bertele
 D607,667 S 1/2010 Cayouette
 D646,072 S 10/2011 Katina
 D648,959 S 11/2011 Alden
 D651,121 S 12/2011 Grimme
 D655,948 S 3/2012 Dardashti et al.
 D663,257 S 7/2012 Stroud et al.
 D664,377 S 7/2012 Pennacchio
 D665,198 S 8/2012 Levy et al.
 D669,686 S 10/2012 Waggoner
 D672,960 S 12/2012 Turner
 D674,191 S 1/2013 Sakaguchi
 D677,943 S 3/2013 Mendoza
 2003/0010738 A1 1/2003 Hsia et al.
 2003/0066814 A1 4/2003 Wang
 2008/0237319 A1 10/2008 Hensey et al.

FOREIGN PATENT DOCUMENTS

WO WO 2004/042237 5/2004
 WO WO 2011/000380 1/2011
 WO WO 2011/031209 3/2011
 WO WO 2011/162687 12/2011

OTHER PUBLICATIONS

Hellmuth, N.; Herrera, S. Honeycomb Sandwich Panels, FLAAR Reports, Exhibits of Honeycomb Material at Graphispag 2011 Print Expo, Barcelona.
 Store Enso Re-Board Product Website—Re-Board Material and Products, May 20, 2013.
 Northern Design Re-Board Product Website—Gallery of Products, May 20, 2013.
 POS Factory Website—Re-board partner website, May 20, 2013.
 US D396,453, 07/1998, Stead (withdrawn)

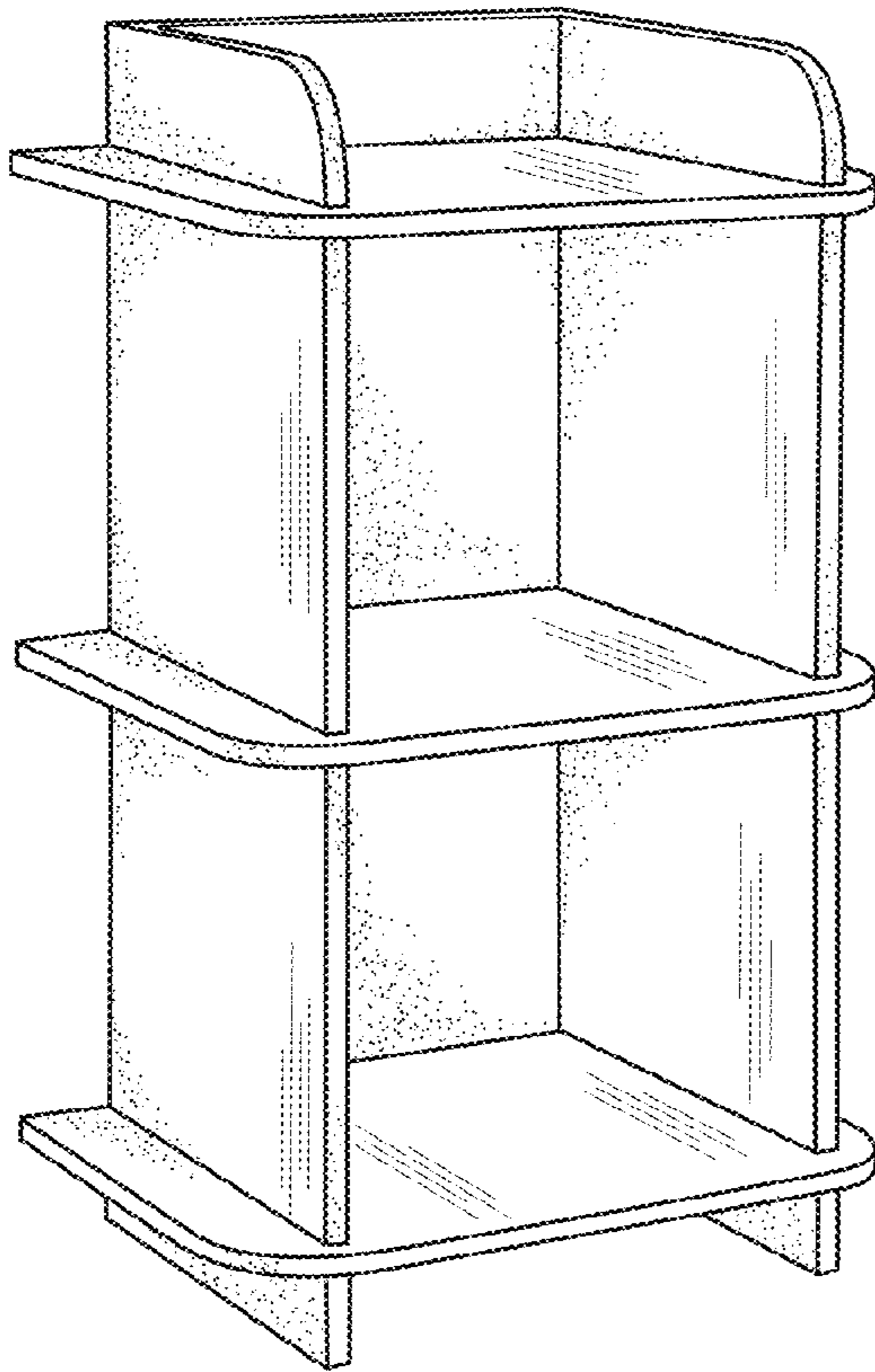


Fig. 1

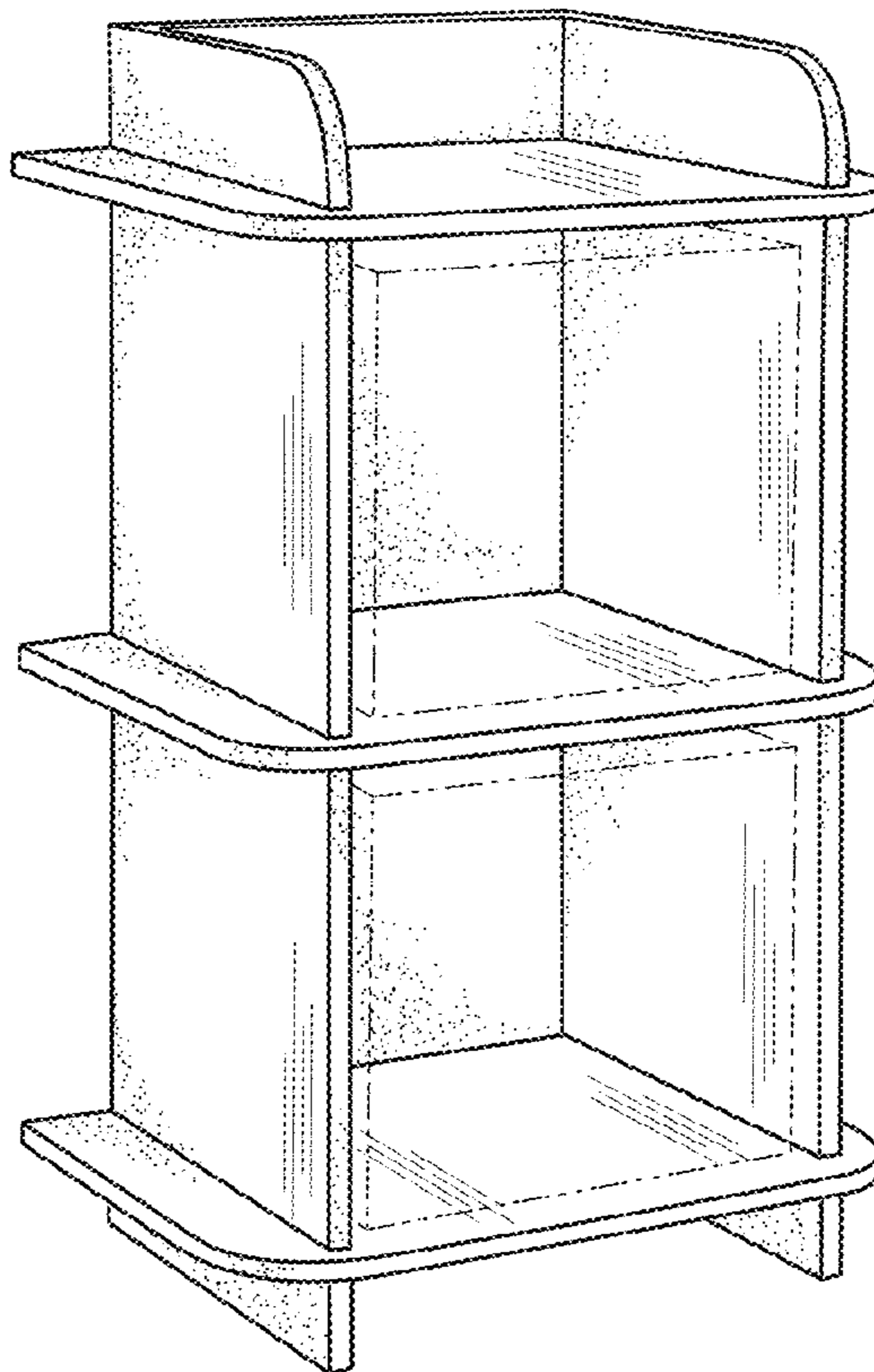


Fig. 2

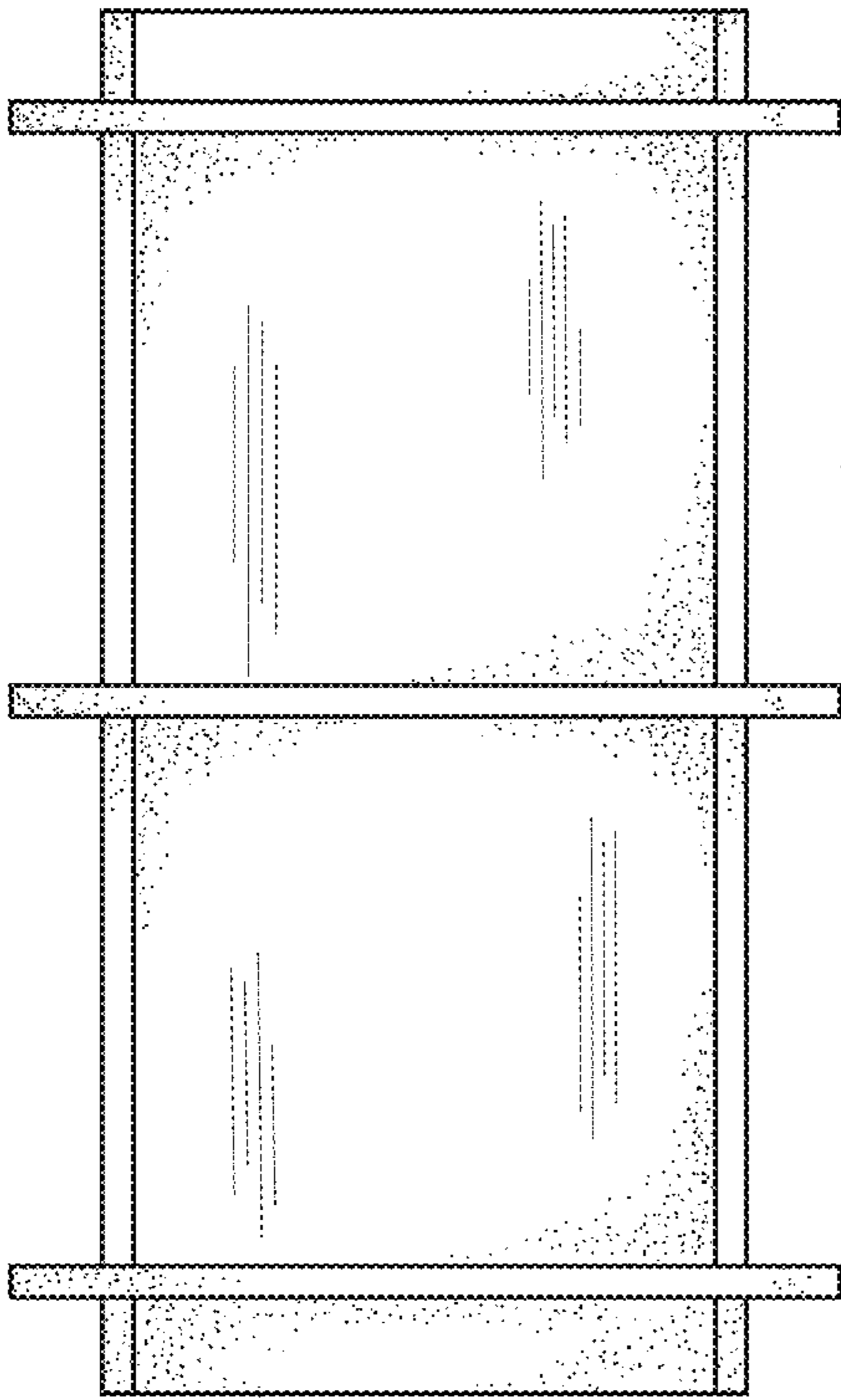


Fig. 3

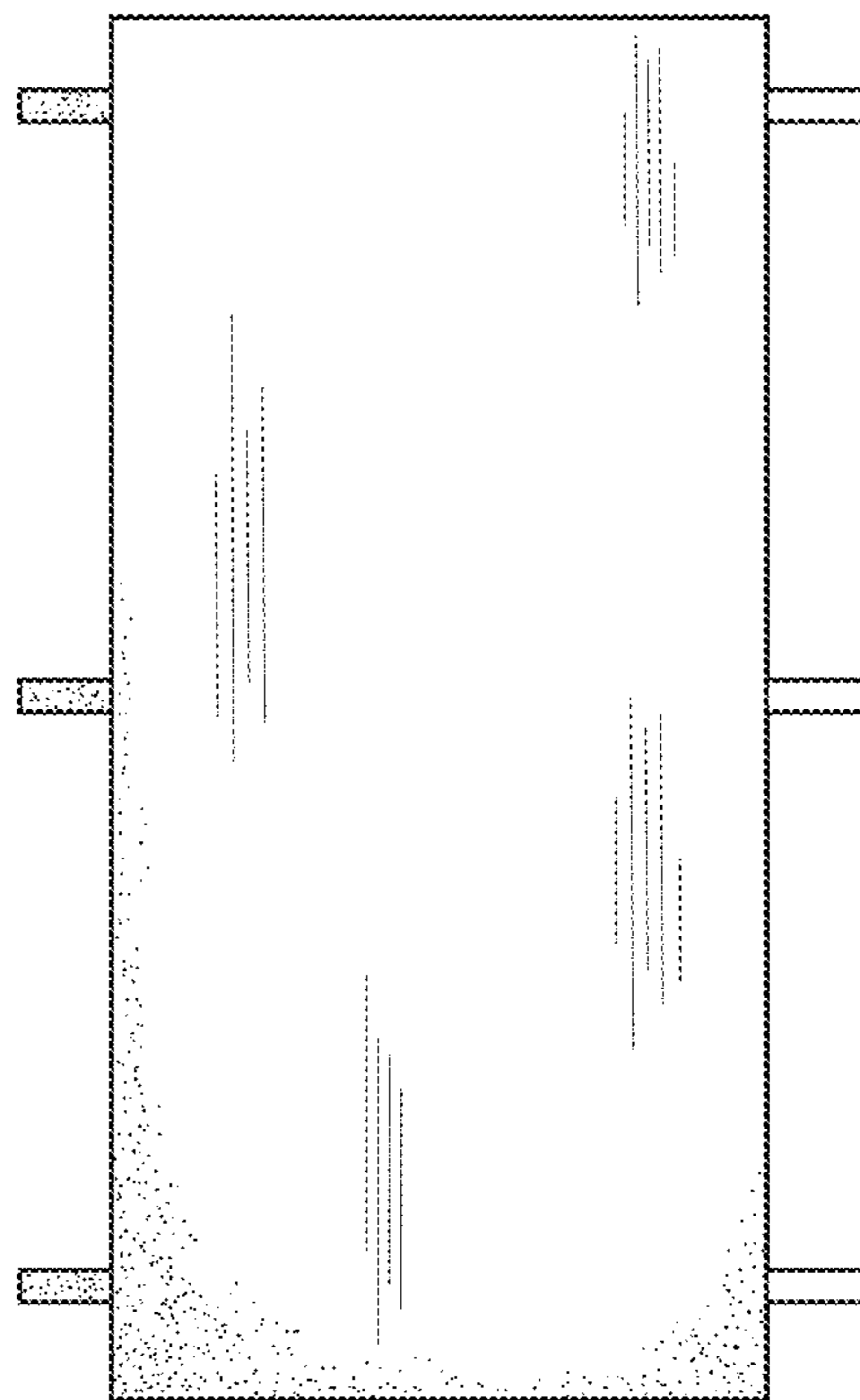


Fig. 4

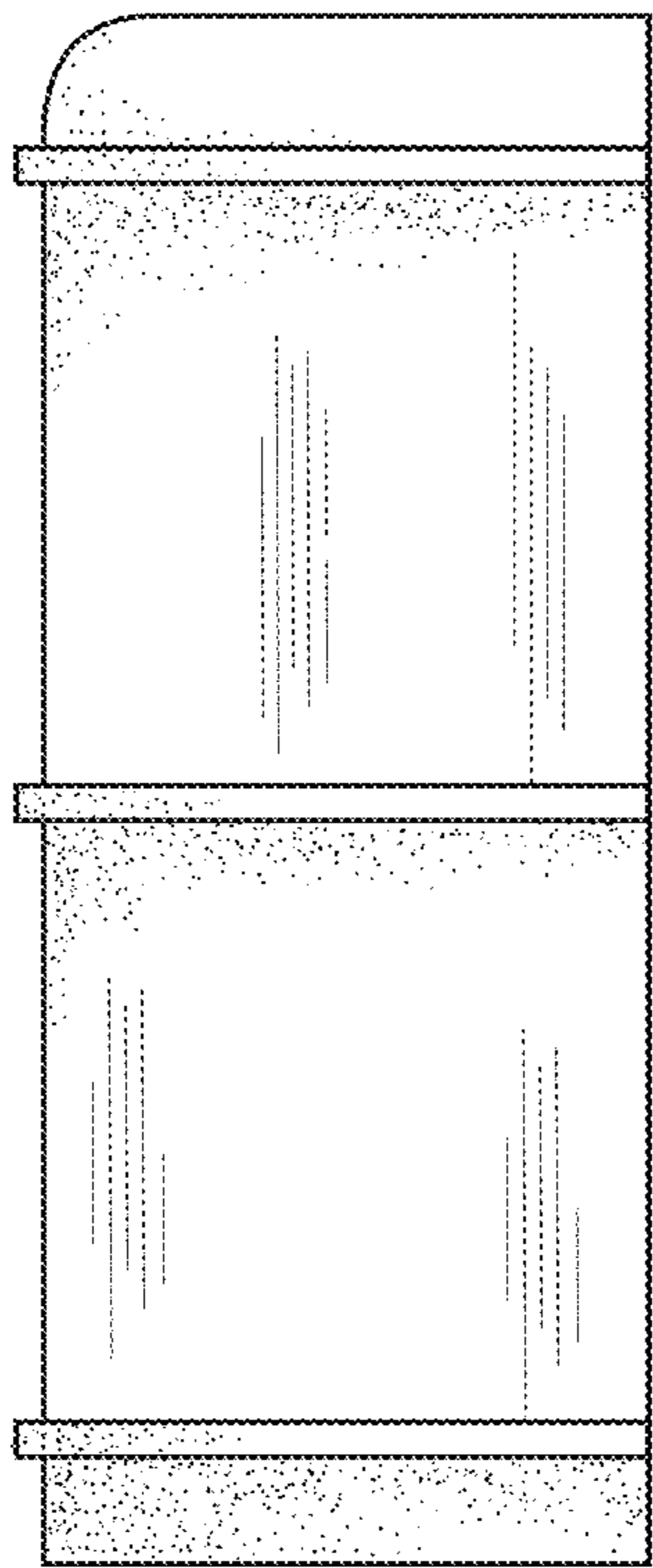


Fig. 5

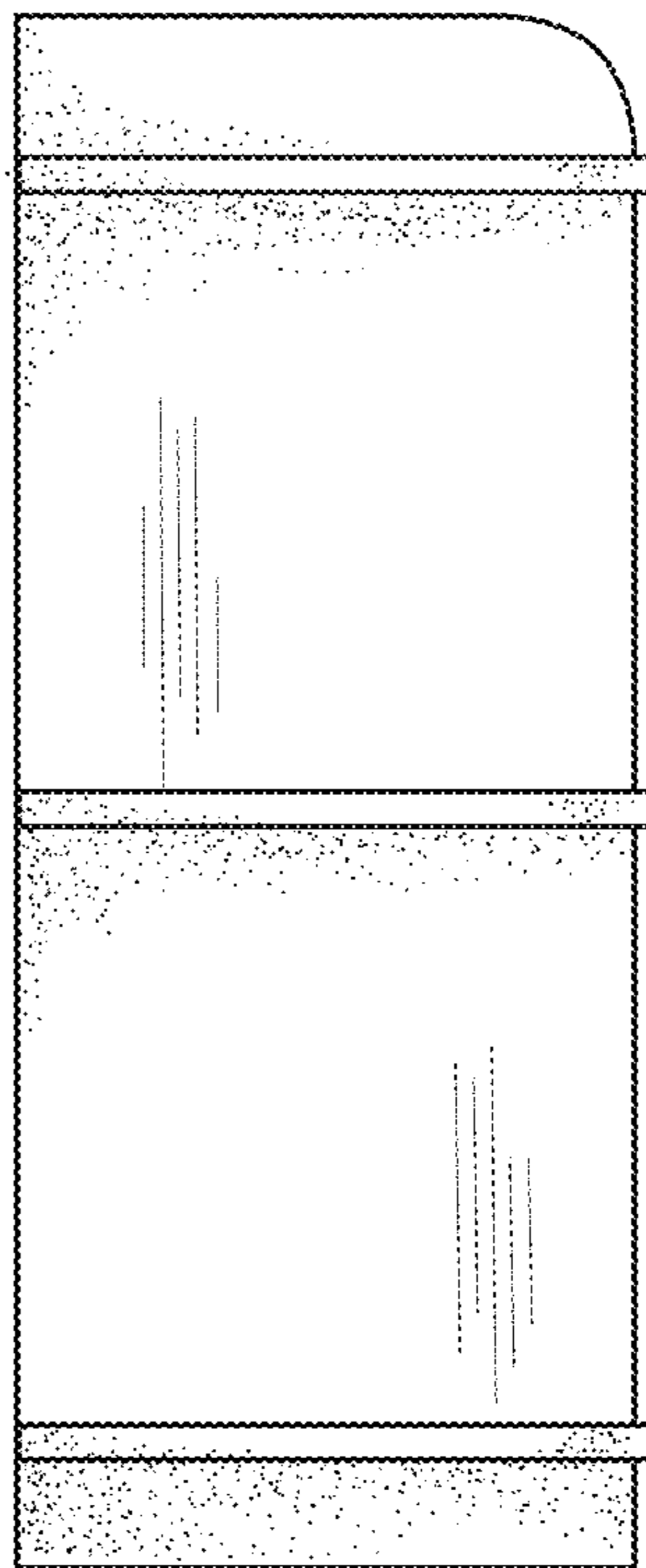


Fig. 6

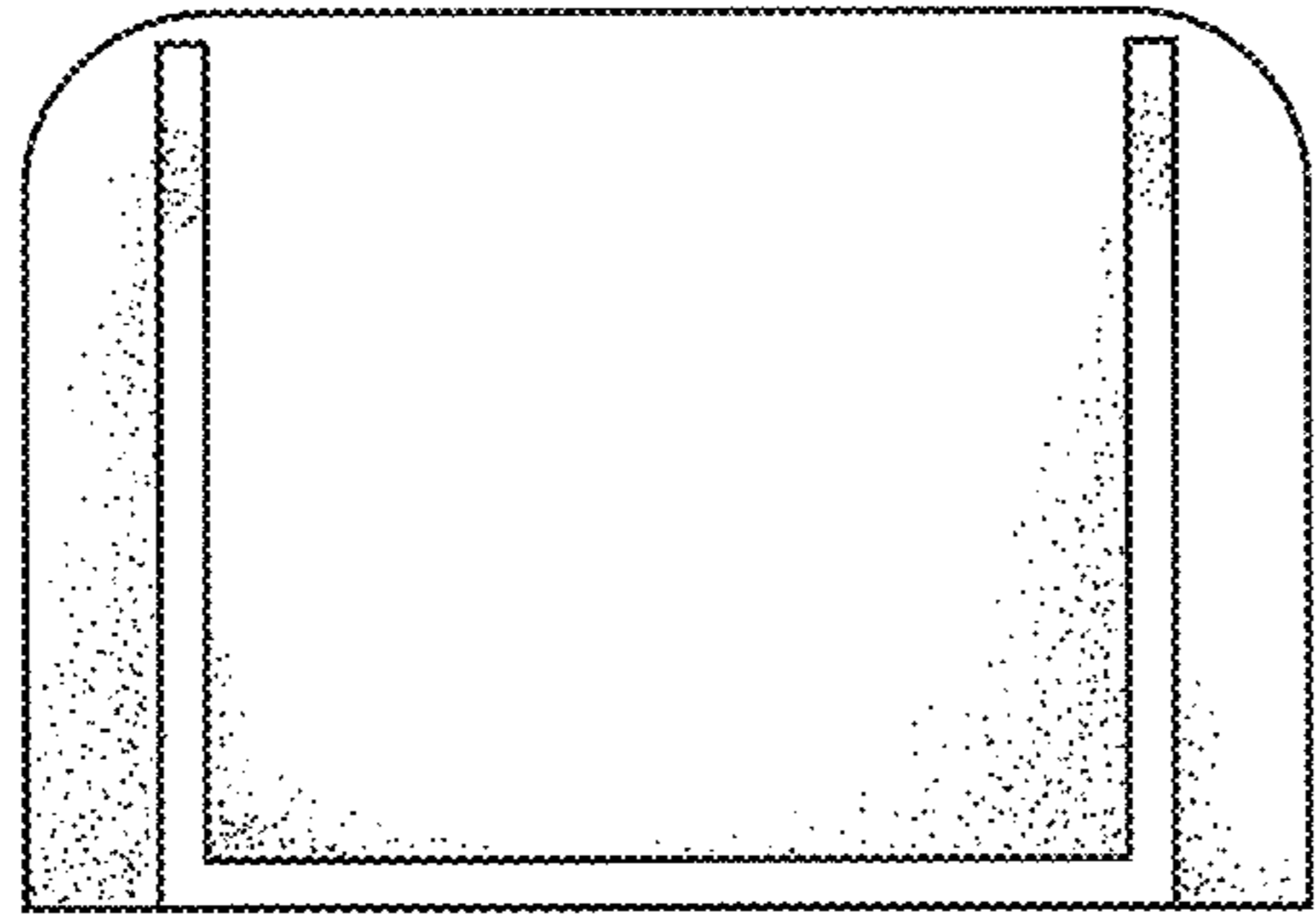


Fig. 7

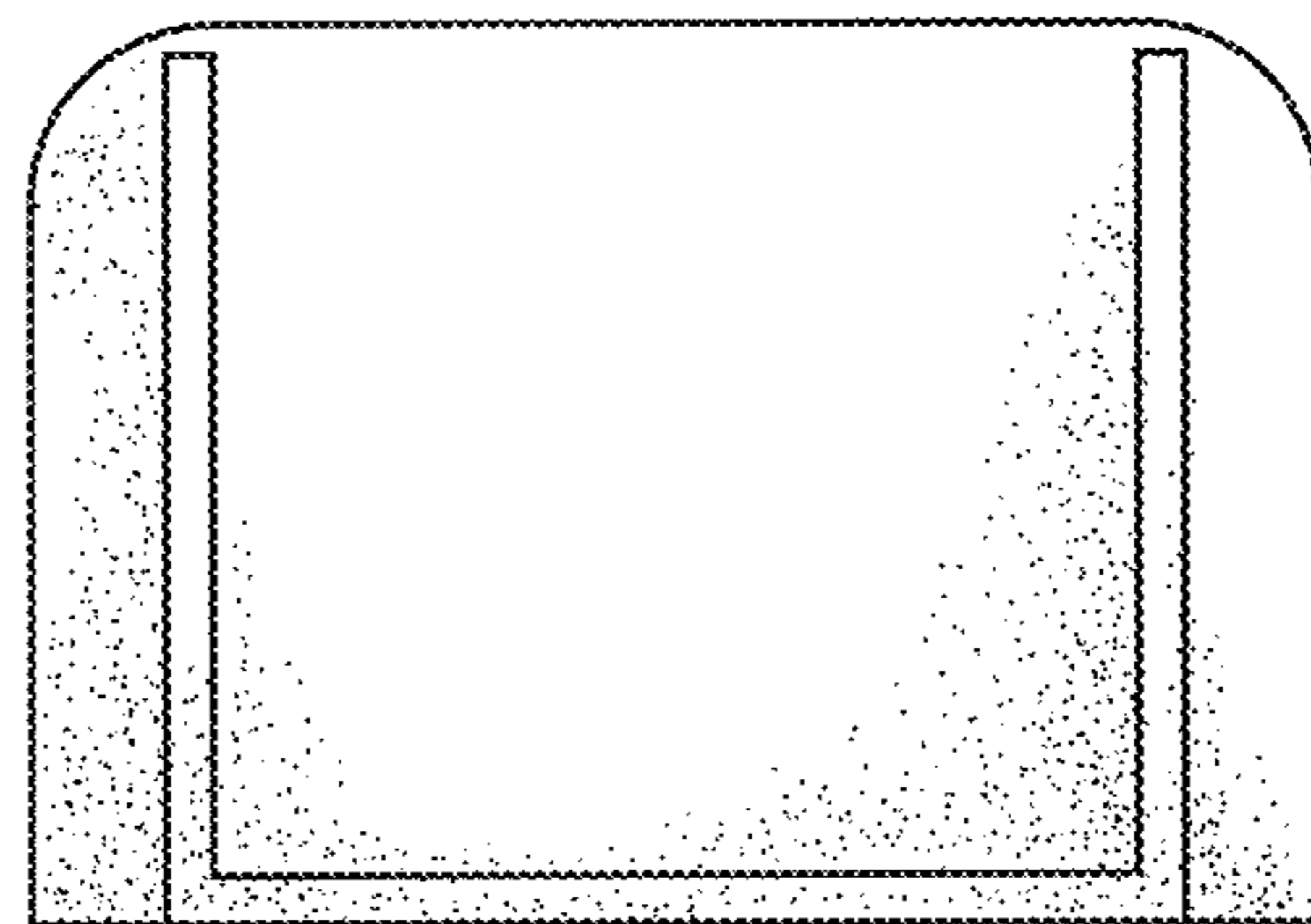


Fig. 8

UNITED STATES PATENT AND TRADEMARK OFFICE
CERTIFICATE OF CORRECTION

PATENT NO. : D741,629 S
APPLICATION NO. : 29/472738
DATED : October 27, 2015
INVENTOR(S) : Edward Todd Meissner and Randy Klibowitz

Page 1 of 1

It is certified that error appears in the above-identified patent and that said Letters Patent is hereby corrected as shown below:

On the Title Page:

(56) References Cited; U.S. Patent Documents;

“D112,864 S 1/1939 Schiup” should read -- D112,864 S 1/1939 Schlup --

Signed and Sealed this
Twentieth Day of December, 2016



Michelle K. Lee
Director of the United States Patent and Trademark Office