



US00D741628S

(12) **United States Design Patent**  
**Held et al.**

(10) **Patent No.:** **US D741,628 S**  
(45) **Date of Patent:** **\*\* Oct. 27, 2015**

(54) **STORAGE BIN**  
(71) Applicant: **Steelcase Inc.**, Grand Rapids, MI (US)  
(72) Inventors: **Michael Held**, Kowloon Tong (HK); **Siu Cho Ho**, Fanling New Territories (HK)  
(73) Assignee: **Steelcase Inc.**, Grand Rapids, MI (US)  
(\*\*) Term: **14 Years**

D529,314 S 10/2006 Tako  
D529,316 S 10/2006 Fujiki  
D548,486 S \* 8/2007 Niitsu ..... D6/675  
D551,465 S 9/2007 Daniel  
D571,779 S 6/2008 Matsuoka  
D592,887 S \* 5/2009 Mischkulnig ..... D6/657  
D604,064 S 11/2009 Garbin  
D618,016 S 6/2010 Metcalf et al.  
7,866,769 B2 \* 1/2011 Ahlgrim et al. .... 312/108  
D649,807 S 12/2011 Stoepker et al.  
D690,142 S 9/2013 Arko et al.  
D694,558 S \* 12/2013 Denby et al. .... D6/675.1  
D728,282 S \* 5/2015 Tongue et al. .... D6/675

(21) Appl. No.: **29/498,109**  
(22) Filed: **Jul. 31, 2014**  
(51) **LOC (10) Cl.** ..... **06-06**  
(52) **U.S. Cl.**  
USPC ..... **D6/675**  
(58) **Field of Classification Search**  
USPC ..... D19/65, 95; D24/234; D6/641-642,  
D6/653-653.1, 654-654.1, 655-655.1,  
D6/657, 673, 675  
CPC ..... A47B 53/02; A47B 55/00; A47B 57/00;  
A47B 57/58  
See application file for complete search history.

**OTHER PUBLICATIONS**

Duo Storage brochure by Steelcase Inc. Downloaded on Oct. 7, 2014 from [http://www.steelcase.com/en/products/category/storage/multi/documents/05-0002532\\_duo-storage-overview.pdf](http://www.steelcase.com/en/products/category/storage/multi/documents/05-0002532_duo-storage-overview.pdf) (12 pages).

\* cited by examiner

*Primary Examiner* — Kelley Donnelly

(57) **CLAIM**  
We claim the ornamental design for a storage bin, as shown and described.

**DESCRIPTION**

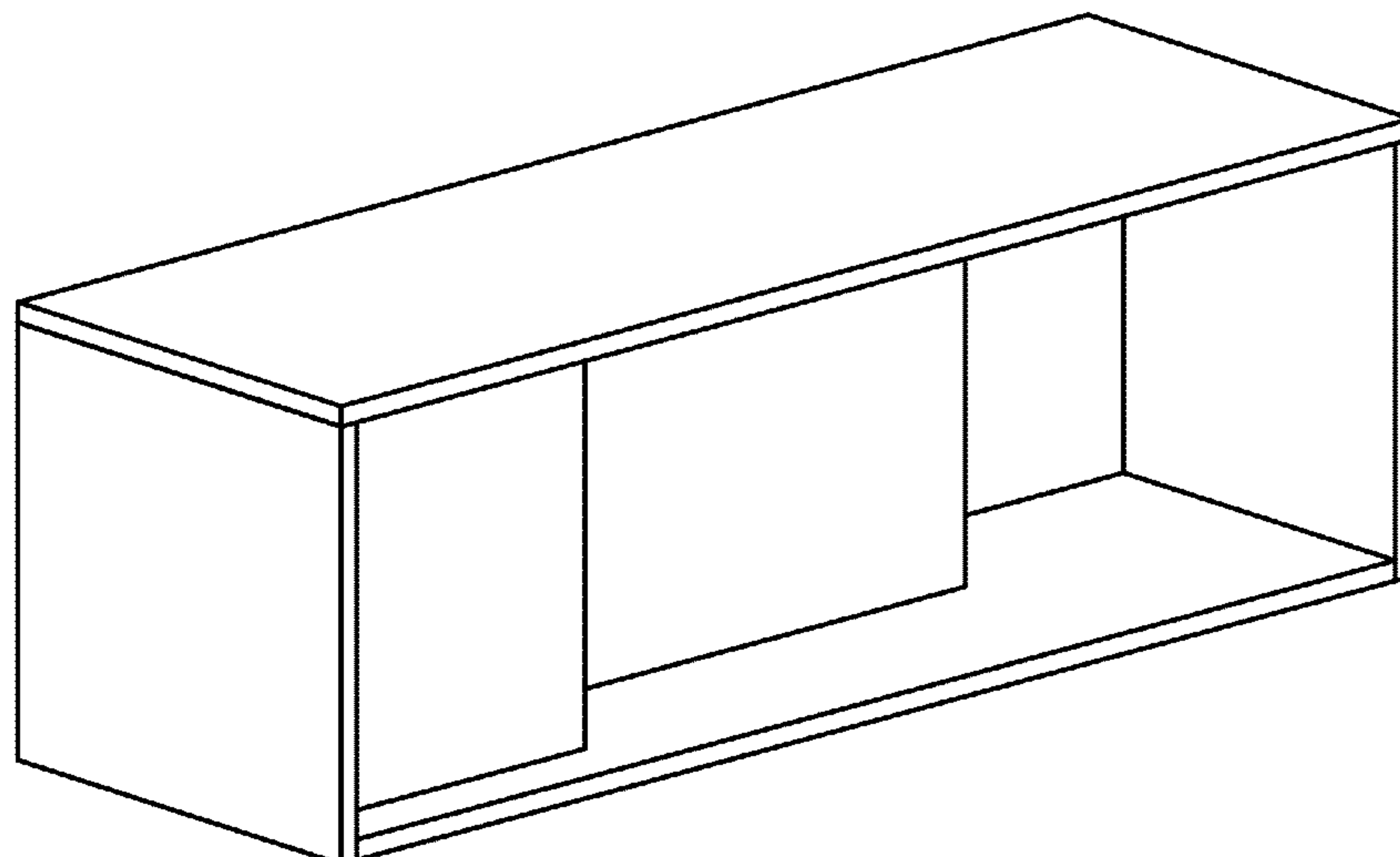
FIG. 1 is a top front perspective view of a storage bin; FIG. 2 is a rear bottom perspective view of a storage bin of FIG. 1; FIG. 3 is a front view of a storage bin of FIG. 1, the rear view is a mirror image of the front view of FIG. 3; FIG. 4 is a right side view of a storage bin of FIG. 1, the left side view is a mirror image of the right side view of FIG. 4; FIG. 5 is a top view of a storage bin of FIG. 1; and, FIG. 6 is a bottom view of a storage bin of FIG. 1.

**1 Claim, 3 Drawing Sheets**

(56) **References Cited**

**U.S. PATENT DOCUMENTS**

2,944,859 A \* 7/1960 Ivanoff ..... 312/9.18  
3,219,400 A \* 11/1965 Bergquist ..... 312/107  
D225,956 S \* 1/1973 Torrey ..... D6/643  
D243,908 S \* 4/1977 Neff ..... D6/675  
4,120,124 A 10/1978 Temple et al.  
D310,752 S \* 9/1990 Long et al. .... D6/632  
D392,815 S \* 3/1998 Gunthert ..... D6/661  
D437,706 S \* 2/2001 Alcala et al. .... D6/671  
D449,748 S 10/2001 Martin et al.  
D517,344 S 3/2006 Zens



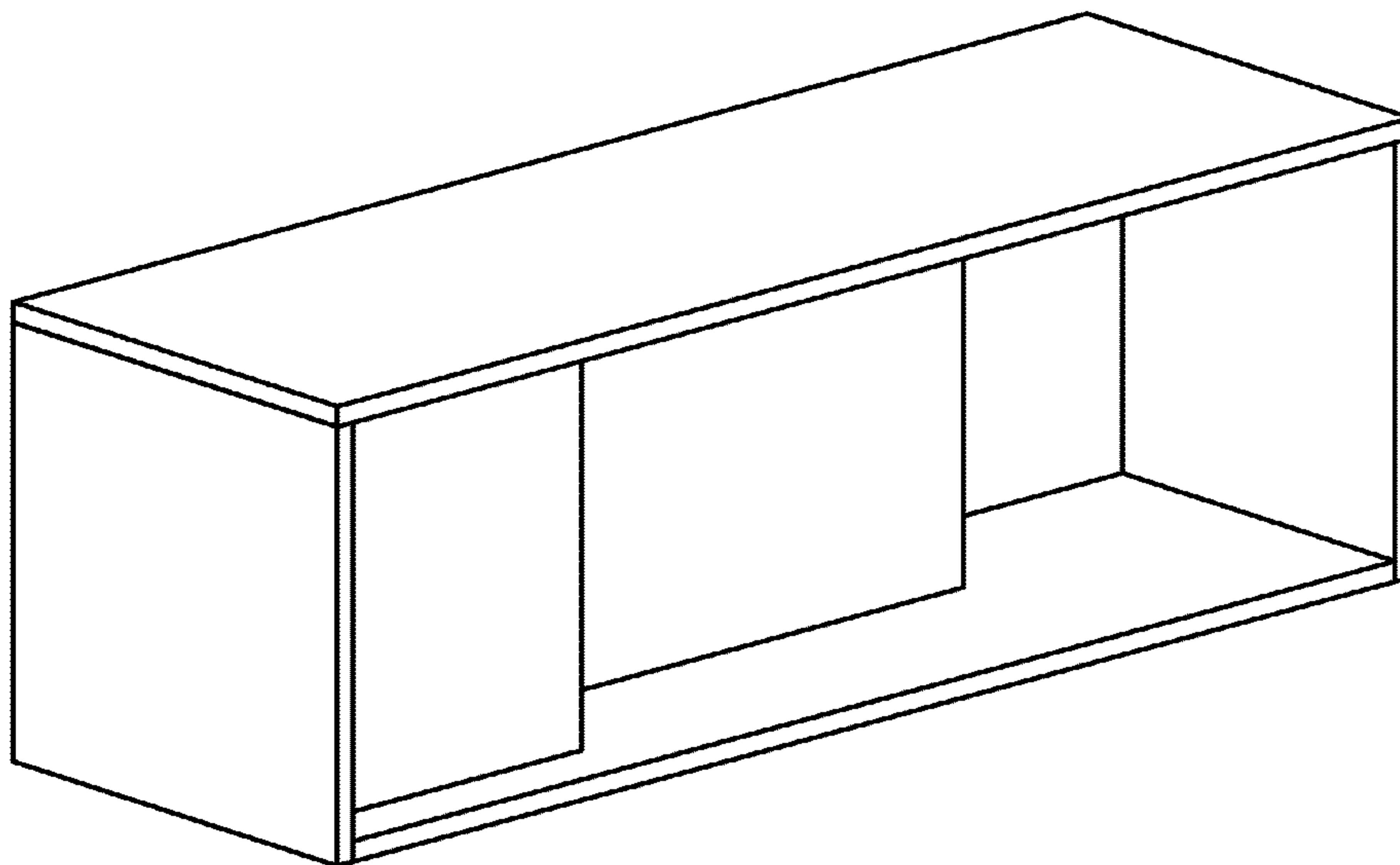


FIG. 1

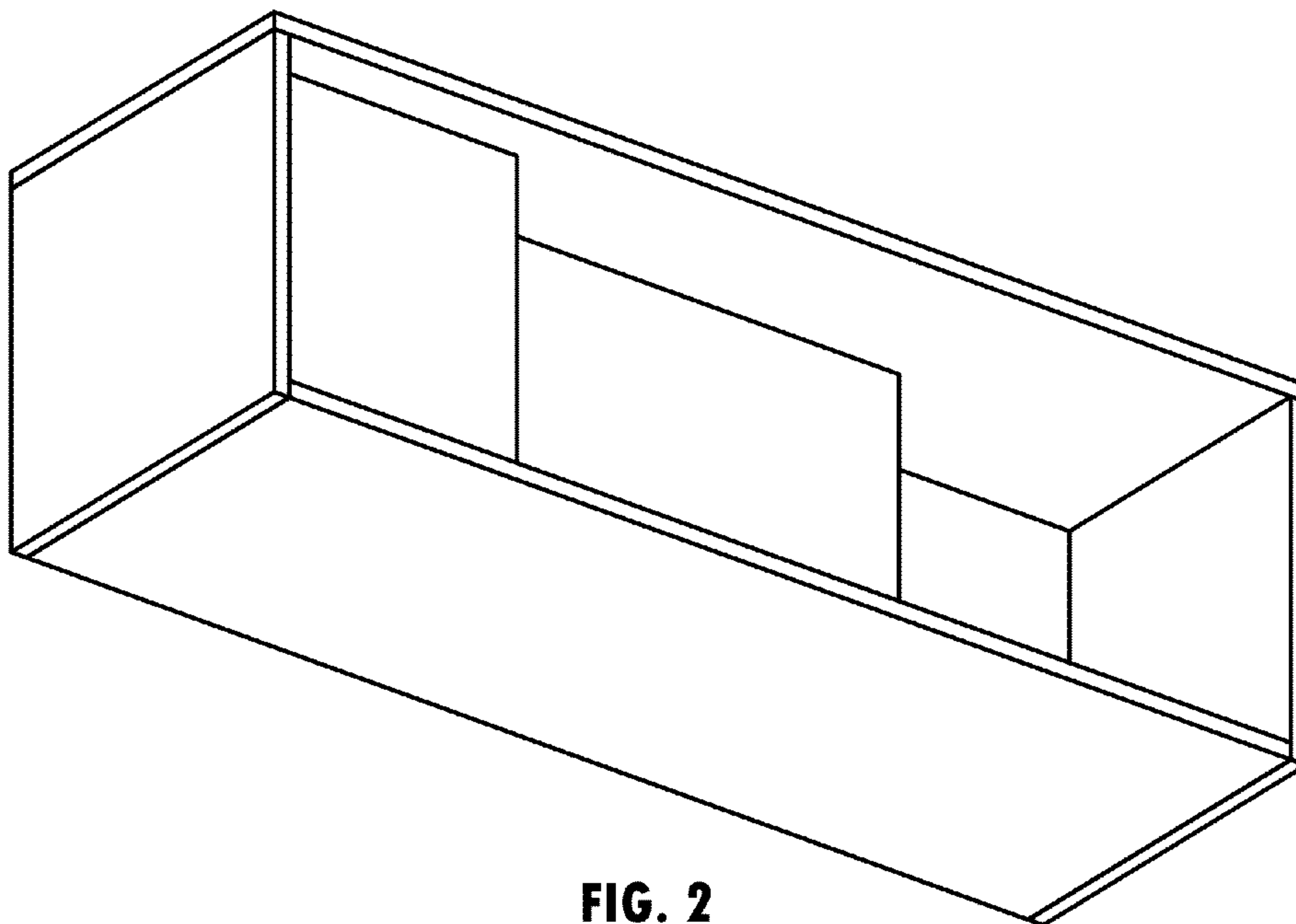
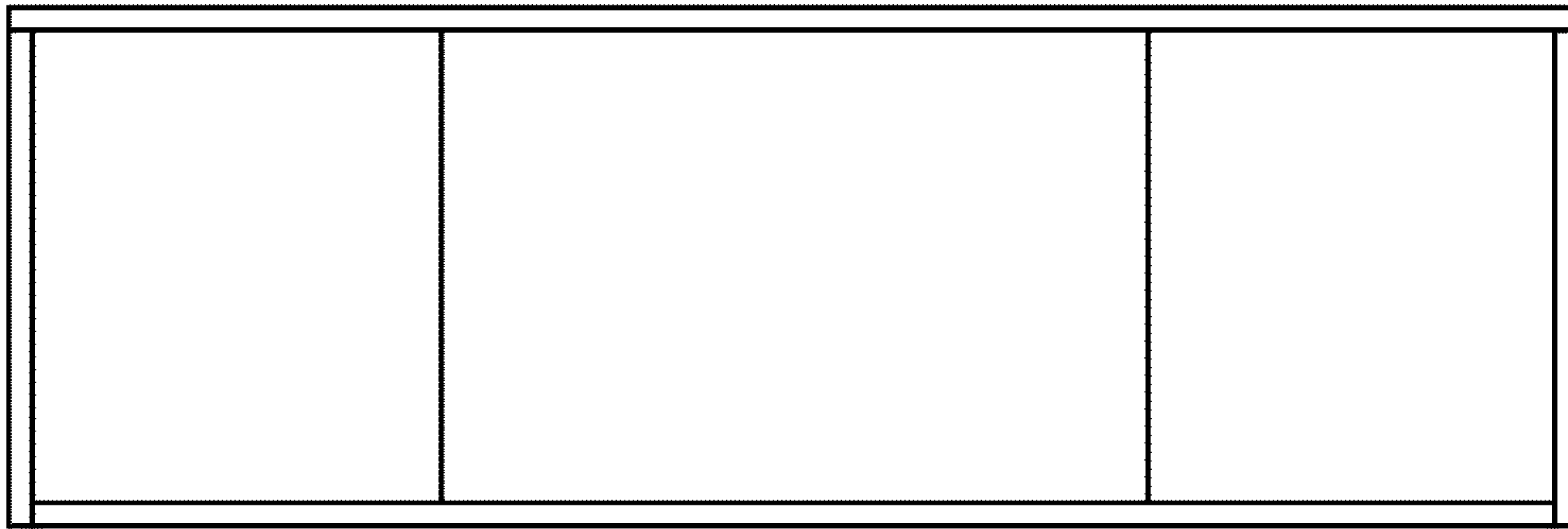
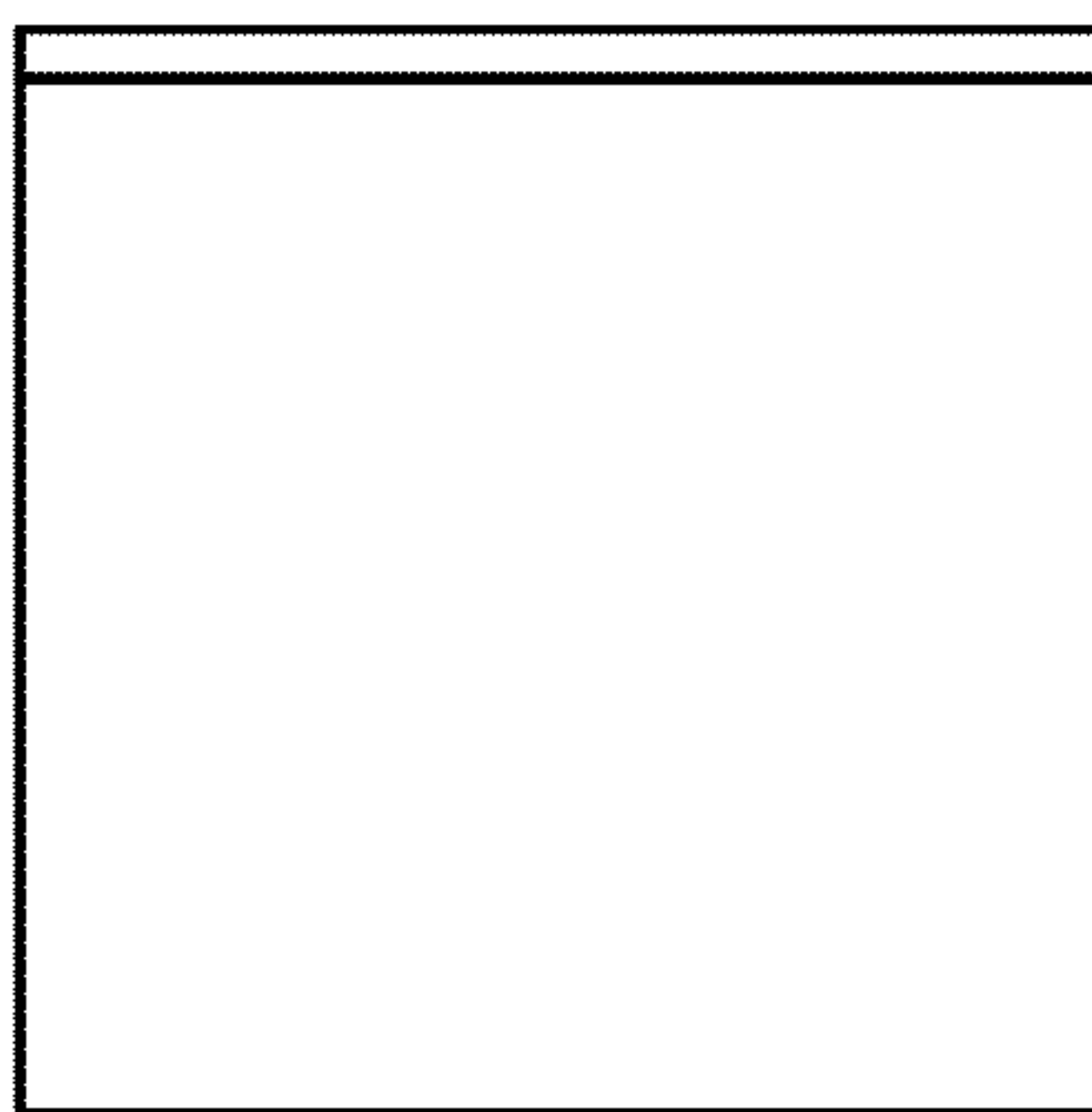


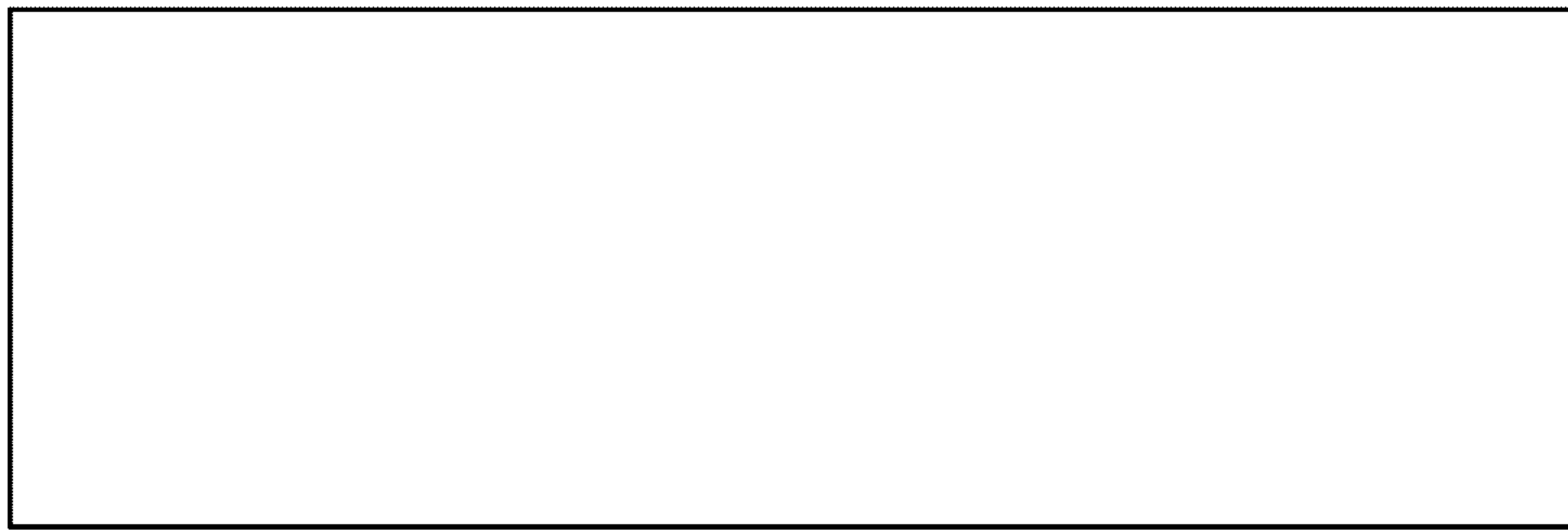
FIG. 2



**FIG. 3**



**FIG. 4**



**FIG. 5**



**FIG. 6**