



US00D741626S

(12) **United States Design Patent**  
**Tapias**

(10) **Patent No.:** **US D741,626 S**  
(45) **Date of Patent:** **\*\* Oct. 27, 2015**

- (54) **DISPLAY CART**
- (71) Applicant: **Premier Retail Group, Inc.**, Fort Lauderdale, FL (US)
- (72) Inventor: **Helga Tapias**, Miami, FL (US)
- (73) Assignee: **Premier Retail Group, Inc.**, Fort Lauderdale, FL (US)
- (\*\*) Term: **14 Years**
- (21) Appl. No.: **29/485,811**
- (22) Filed: **Mar. 24, 2014**
- (51) **LOC (10) Cl.** ..... **06-04**
- (52) **U.S. Cl.**  
USPC ..... **D6/672**
- (58) **Field of Classification Search**  
USPC ..... D6/315, 316, 317, 332, 342, 352, 362, D6/391, 400, 406.4, 406.5, 407, 514, 519, D6/543, 552, 556, 570, 573, 576, 630, D6/633.14, 633.21, 635, 641, 652, 661.2, D6/662, 664, 668.2, 670, 672, 673, 674, D6/675, 675.1, 675.3, 675.4, 677.3, 677.4, D6/678.3, 680.2, 681, 683.1, 685, 691.5, D6/698, 699.1, 699.2, 700, 707.2, 718.28; D7/305, 307, 334, 339, 341; D13/162, D13/184; D18/4.1; D21/524; D23/233; D24/185; D25/16; 99/331, 483; 454/193; 118/30; 141/18; 219/386, 219/725, 679; 312/137; 361/679.48  
CPC ..... A21B 1/00; A47F 9/00; A47F 9/04; A47F 5/0025; A47F 1/00; A47F 1/06  
See application file for complete search history.

(56) **References Cited**

**U.S. PATENT DOCUMENTS**

- 4,179,723 A \* 12/1979 Spencer ..... 361/679.48
- D257,710 S \* 12/1980 Basler et al. .... D24/185
- D261,404 S \* 10/1981 Appel et al. .... D21/524

- D282,986 S \* 3/1986 Keller ..... D6/664
- 5,097,759 A \* 3/1992 Vilgrain et al. .... 99/483
- D408,084 S \* 4/1999 Davis et al. .... D25/16
- D444,959 S \* 7/2001 Trazzi ..... D6/699
- D556,493 S \* 12/2007 Isett et al. .... D7/305
- D624,779 S \* 10/2010 Meldrum et al. .... D7/307
- D668,303 S \* 10/2012 Desberg ..... D21/524
- D722,640 S \* 2/2015 Miyake et al. .... D18/4.1
- 2002/0043906 A1 \* 4/2002 Dewitt et al. .... 312/137
- 2005/0279033 A1 \* 12/2005 Faber et al. .... 52/36.4

**OTHER PUBLICATIONS**

Kurtosh Mobile Cart: Announced Aug. 2, 2012 [online], site visited [Jun. 8, 2015]. Available from Internet URL:<[http://www.tamirson.com/product\\_info.php?products\\_id=4789](http://www.tamirson.com/product_info.php?products_id=4789)>.\*

\* cited by examiner

*Primary Examiner* — Thomas Johannes

*Assistant Examiner* — Catherine Posthauer

(74) *Attorney, Agent, or Firm* — Benjamin M. Hanrahan; Hanrahan Law Firm, P.A.

(57) **CLAIM**

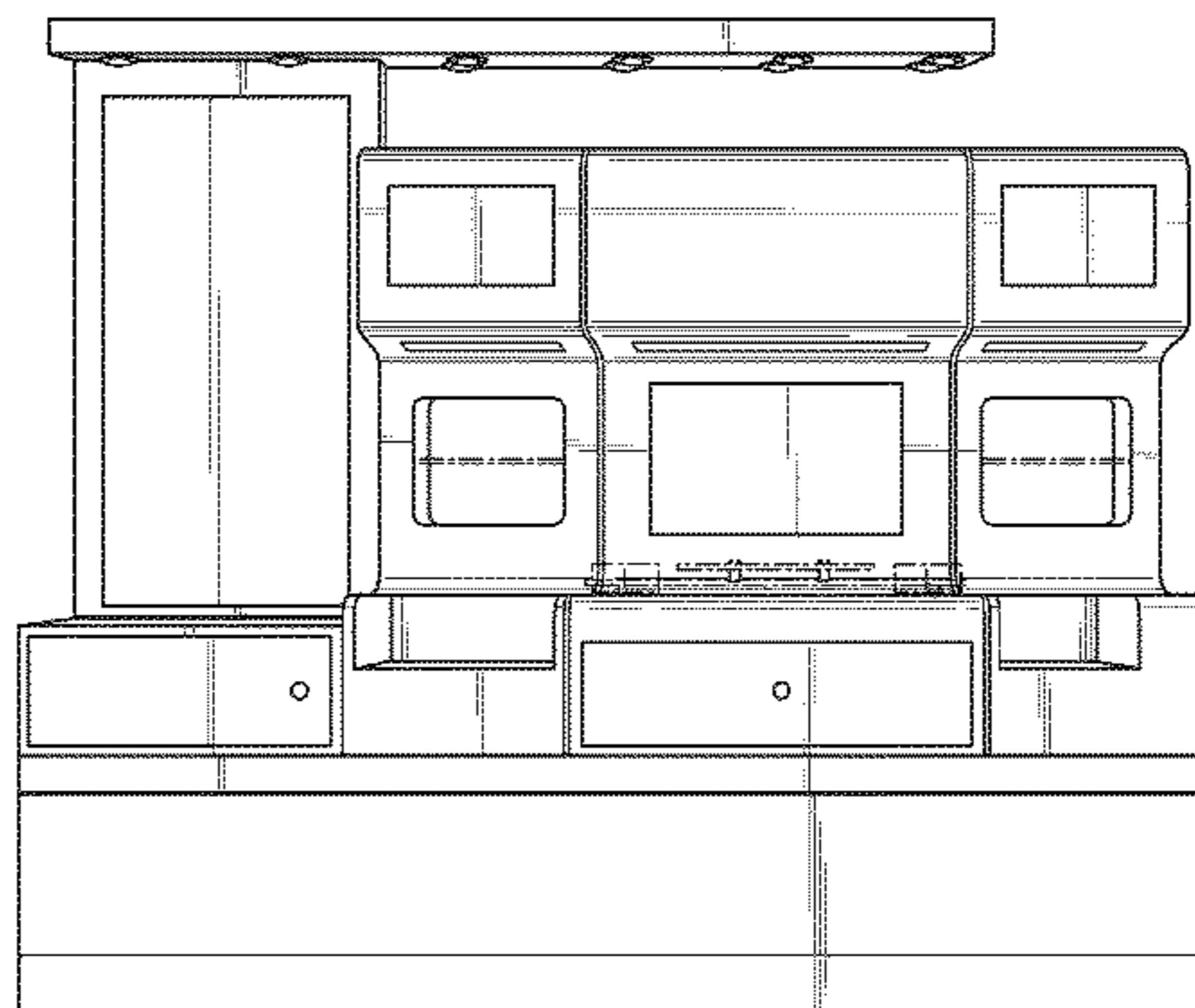
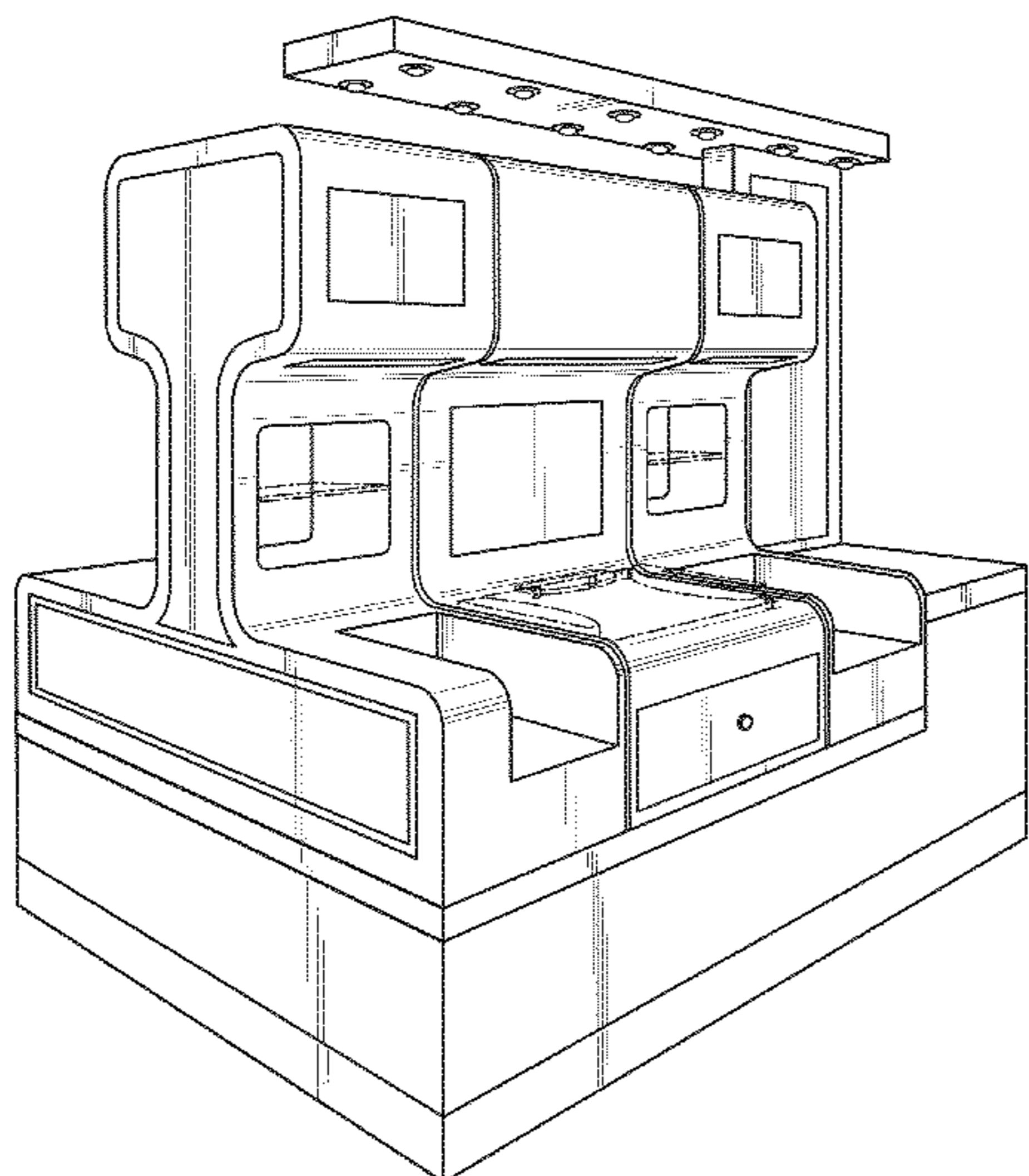
The ornamental design for a display cart, as shown and described.

**DESCRIPTION**

FIG. 1 is a right front perspective view of a display cart showing my new design;  
 FIG. 2 is a right rear perspective view thereof;  
 FIG. 3 is a pseudo perspective left side view thereof;  
 FIG. 4 is a left side elevation view thereof;  
 FIG. 5 is a right side elevation view thereof;  
 FIG. 6 is a front view thereof.  
 FIG. 7 is a rear view thereof.  
 FIG. 8 is a top view thereof; and,  
 FIG. 9 is a bottom view thereof.

The broken lines are shown for the purpose of illustrating unclaimed portions of the display cart and form no part of the claimed design.

**1 Claim, 9 Drawing Sheets**



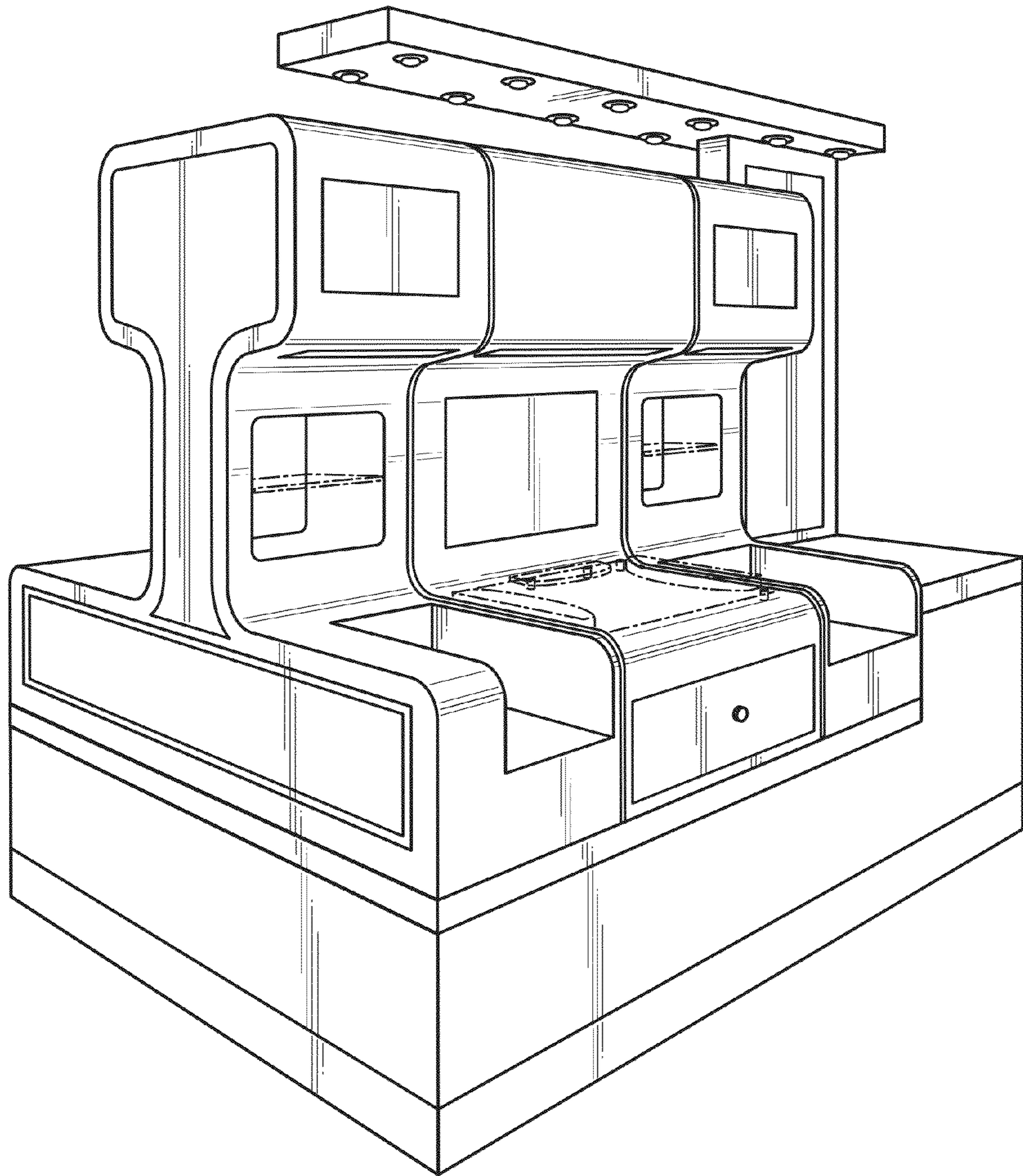


FIG. 1



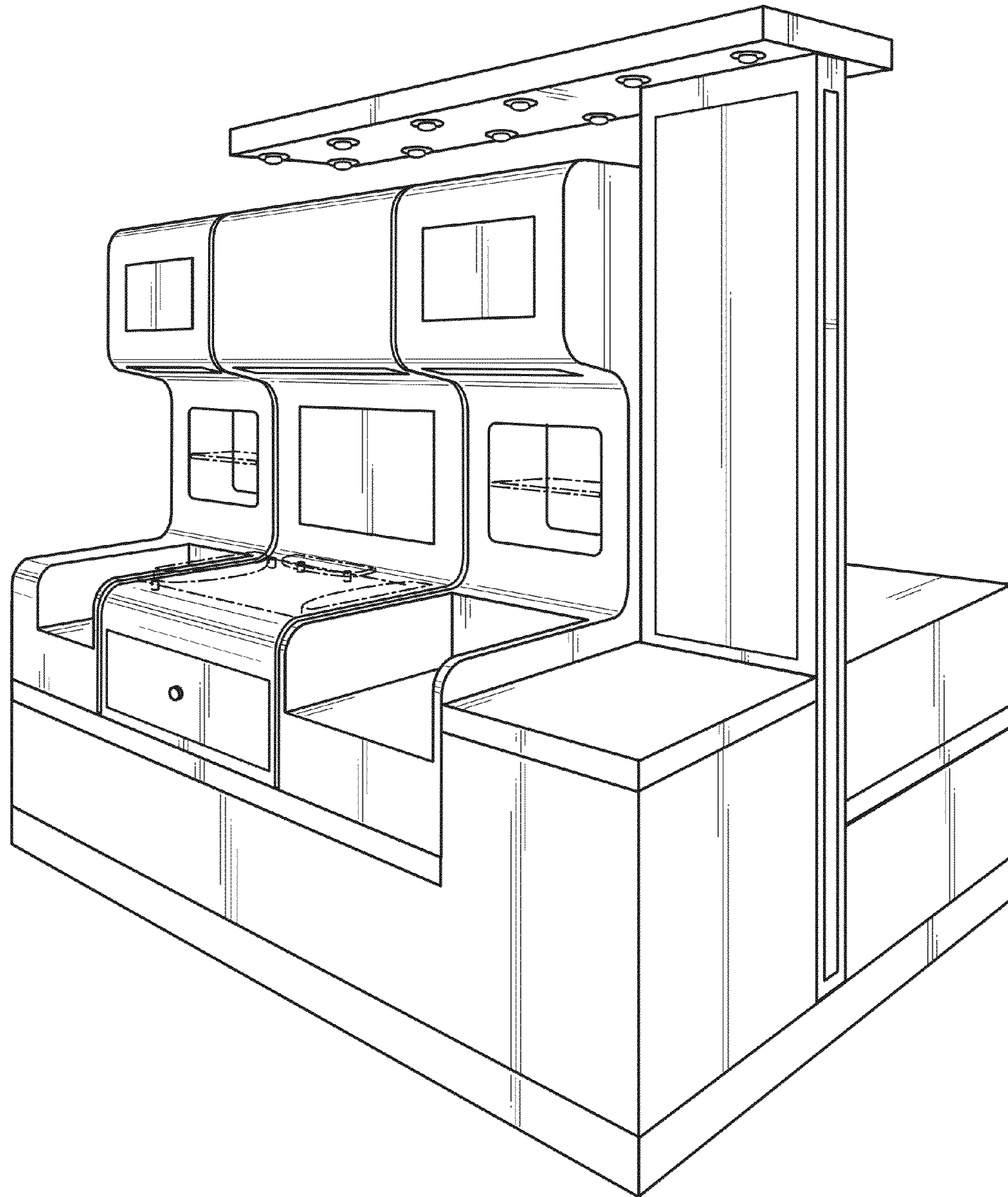


FIG. 2

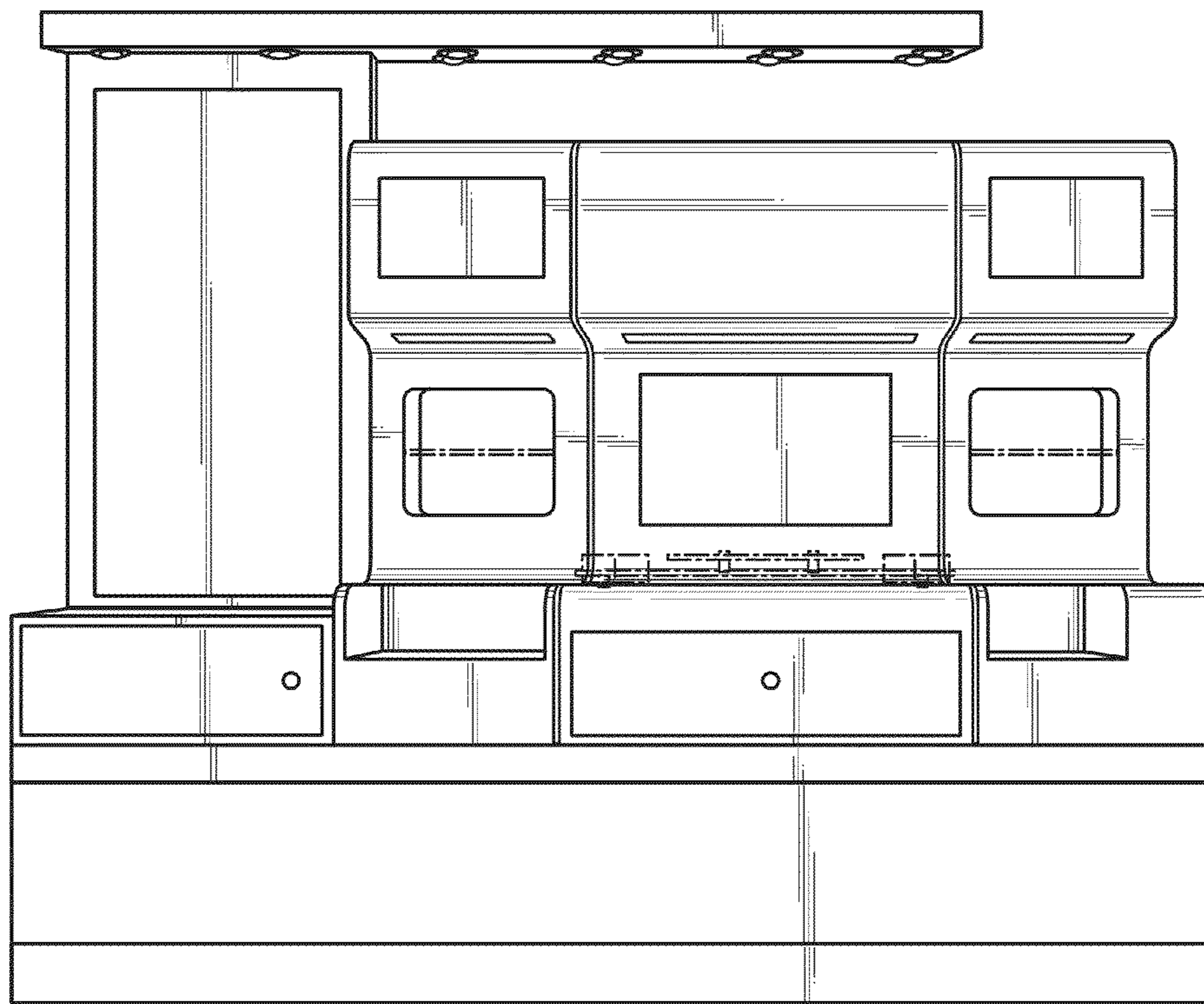


FIG. 3

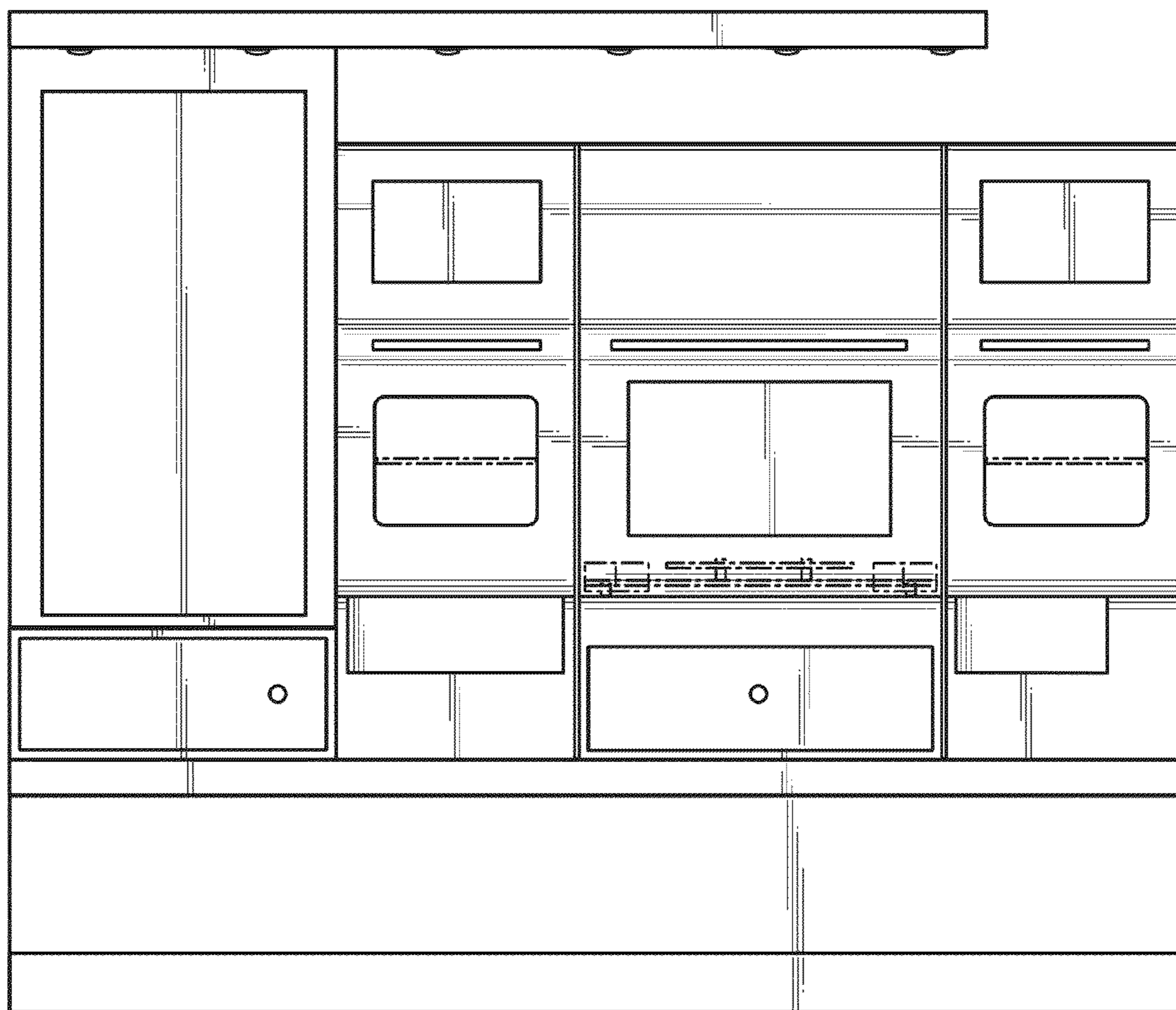


FIG. 4

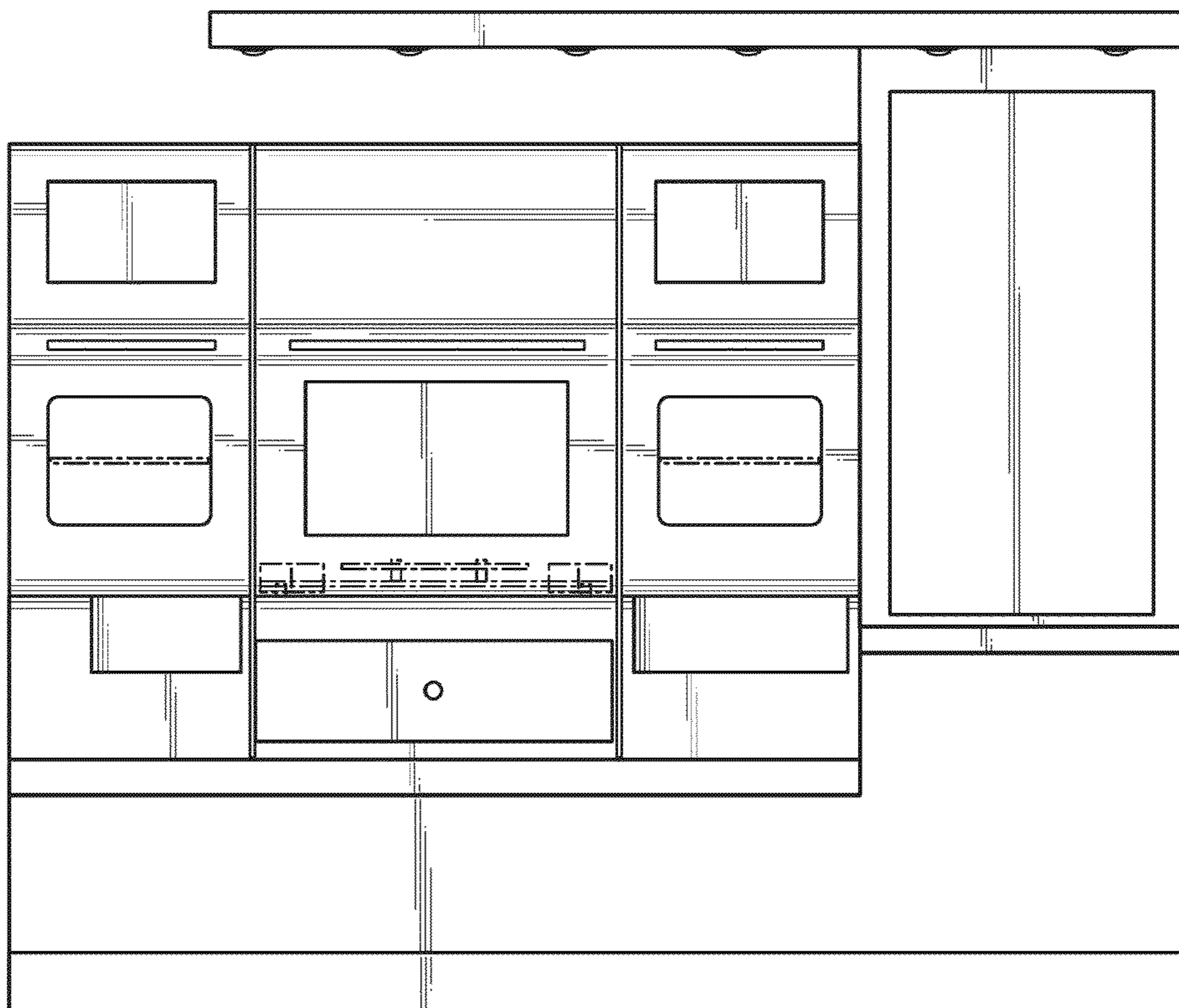


FIG. 5

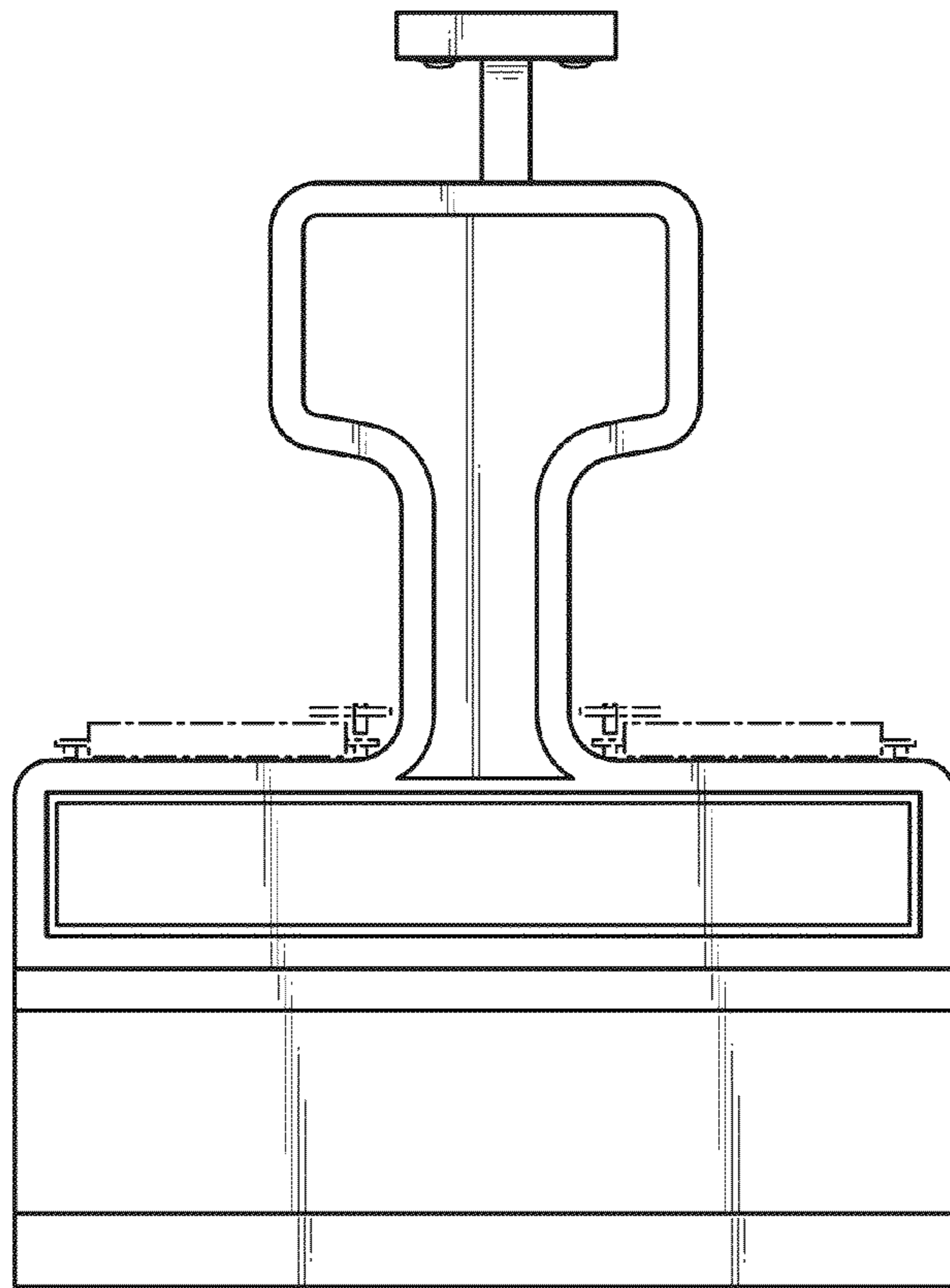


FIG. 6



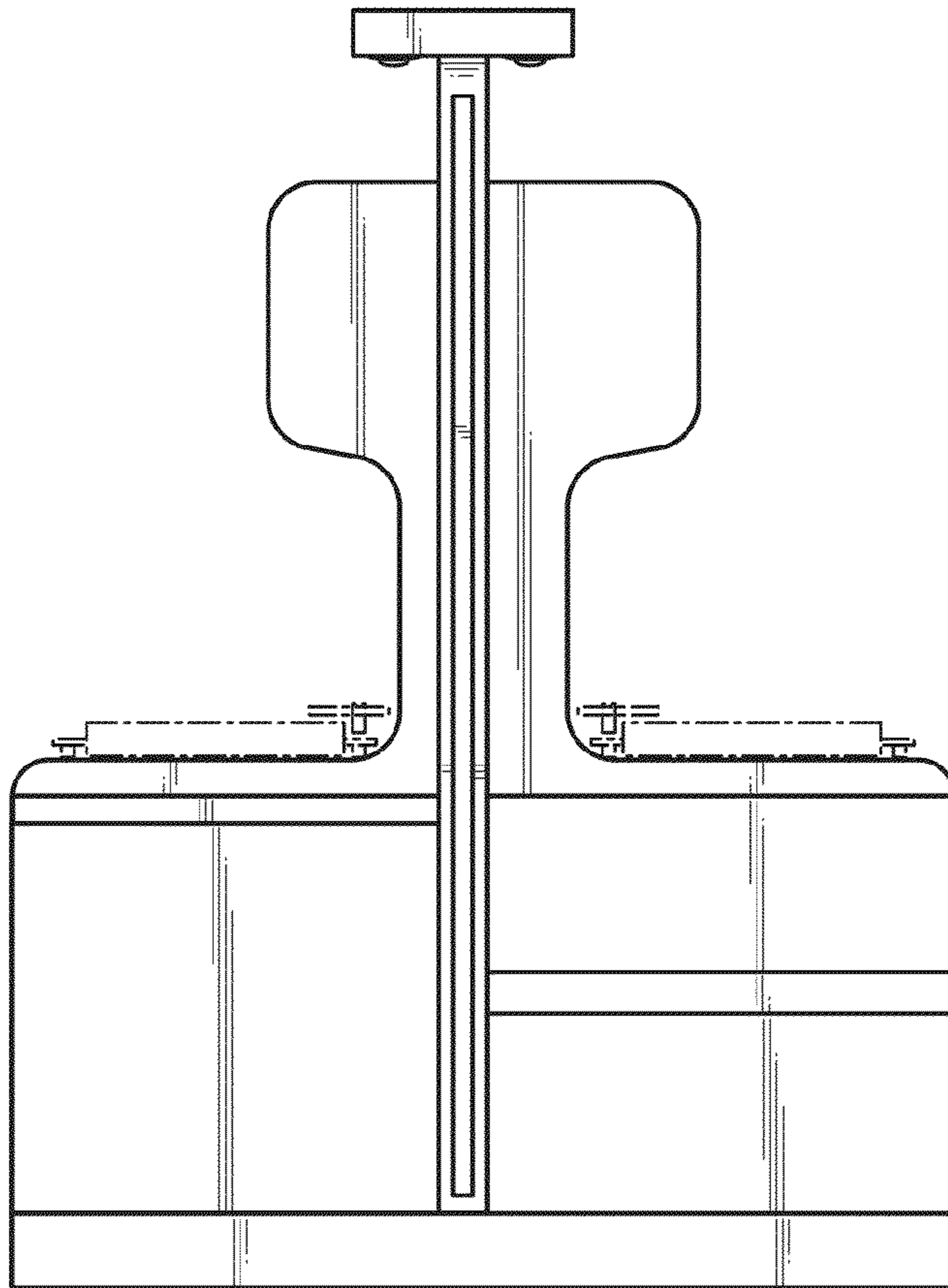


FIG. 7



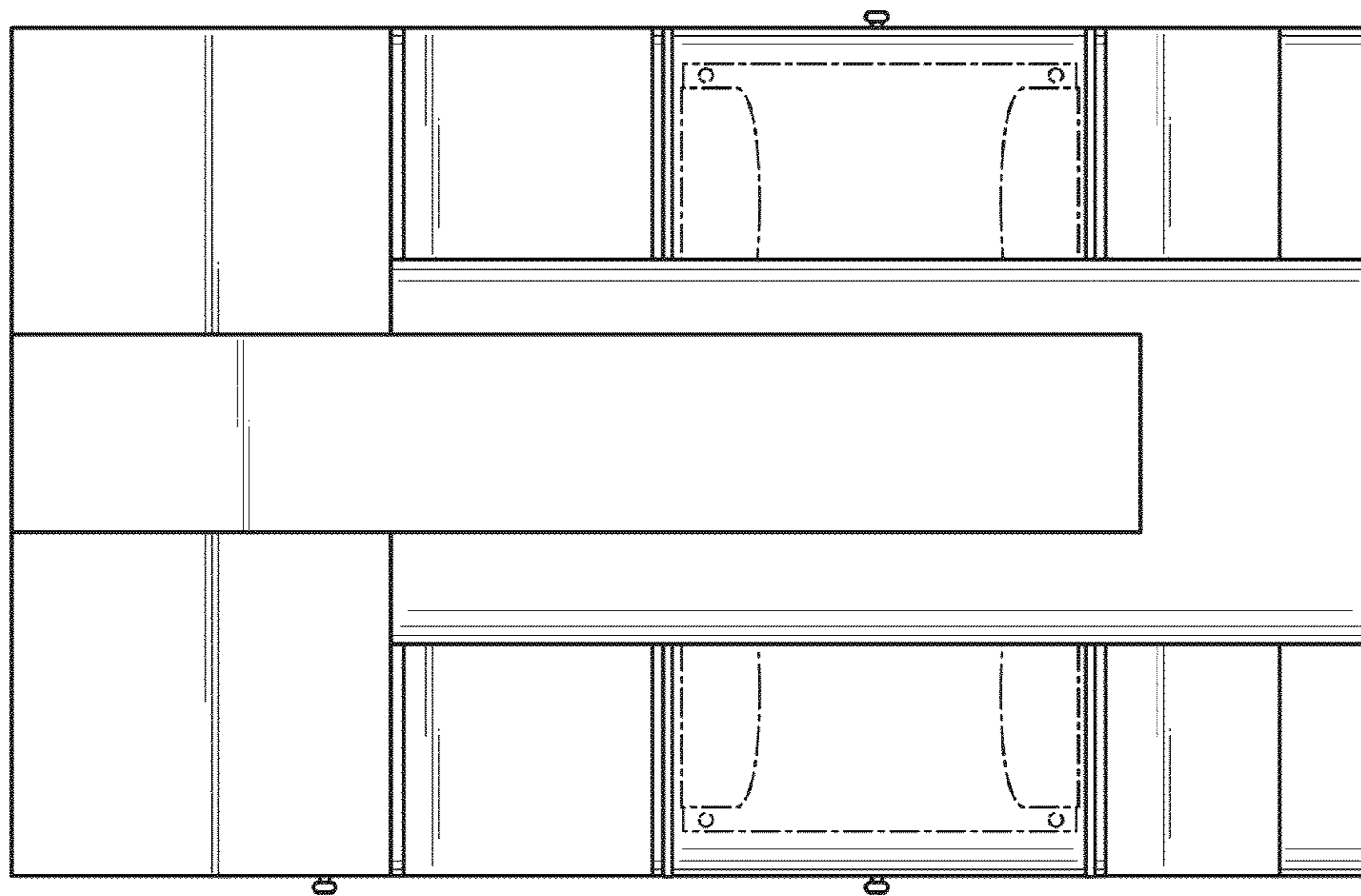


FIG. 8

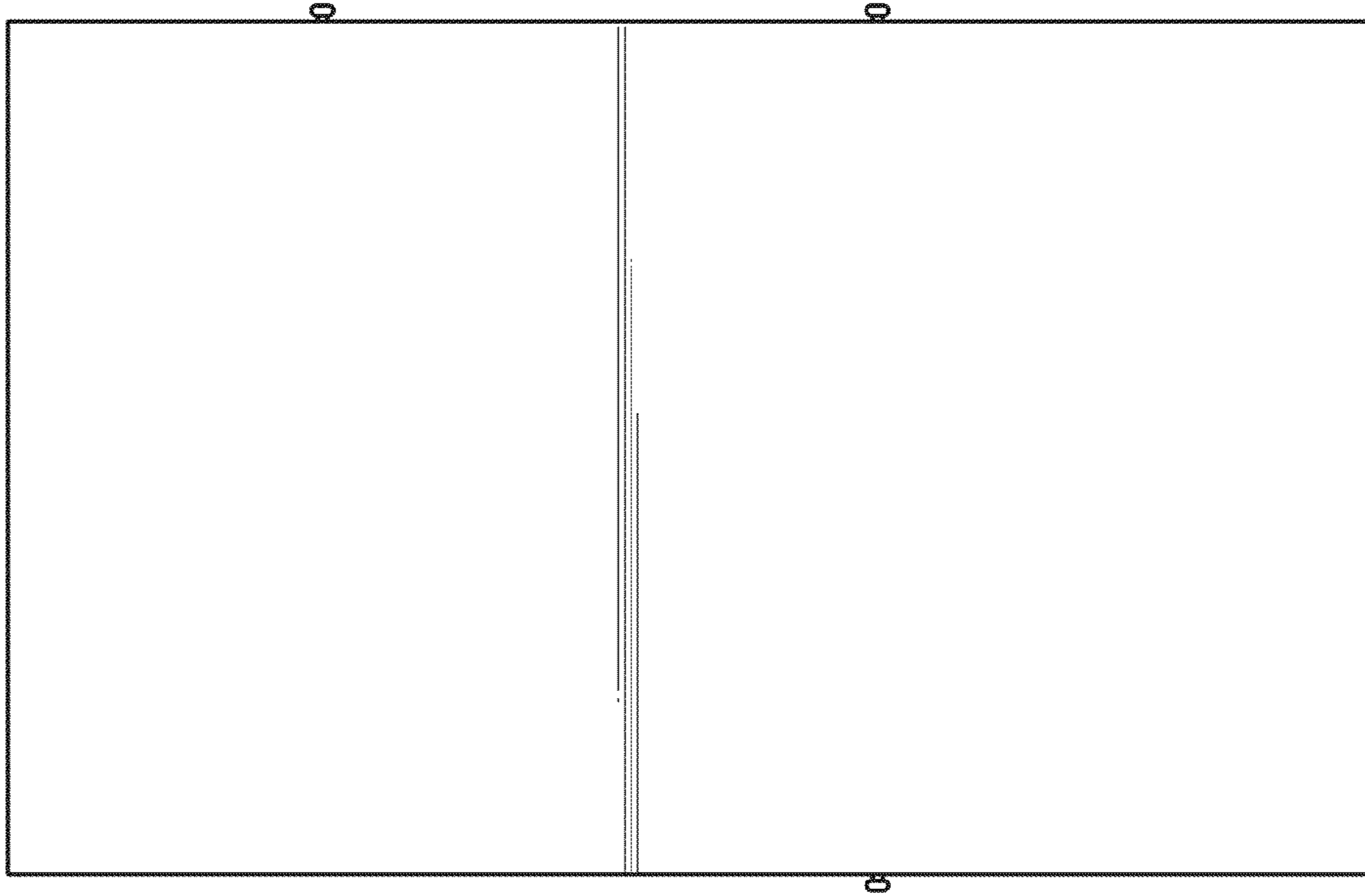


FIG. 9