



US00D741622S

(12) **United States Design Patent**
Jensen et al.

(10) **Patent No.:** **US D741,622 S**
(45) **Date of Patent:** **** Oct. 27, 2015**

(54) **MATTRESS COVER ASSEMBLY AND BRAND TAG**

(71) Applicants: **Ida T. Jensen**, København N (DK);
Kara W. Johnson, San Francisco, CA (US); **Thomas D. C. Overthun**, San Francisco, CA (US); **Isabela Dias de Mello Sa**, San Francisco, CA (US); **Eric Lopez**, San Francisco, CA (US); **Martin Schnitzer**, San Francisco, CA (US); **Elger Oberwelz**, San Francisco, CA (US)

(72) Inventors: **Ida T. Jensen**, København N (DK);
Kara W. Johnson, San Francisco, CA (US); **Thomas D. C. Overthun**, San Francisco, CA (US); **Isabela Dias de Mello Sa**, San Francisco, CA (US); **Eric Lopez**, San Francisco, CA (US); **Martin Schnitzer**, San Francisco, CA (US); **Elger Oberwelz**, San Francisco, CA (US)

(73) Assignee: **Tempur-Pedic Management, LLC**, Lexington, KY (US)

(**) Term: **14 Years**

(21) Appl. No.: **29/478,164**

(22) Filed: **Dec. 31, 2013**

(51) **LOC (10) Cl.** **06-09**

(52) **U.S. Cl.**
USPC **D6/606**

(58) **Field of Classification Search**
USPC D6/305, 382, 383, 391, 393, 394, 395,
D6/406.6, 595, 596, 601, 602, 603, 604,
D6/605, 606, 607, 622, 690, 718.31;
5/417, 419, 421, 482, 485, 495, 496,
5/497, 499, 655, 665, 668, 675, 677, 689,
5/690, 691, 693, 696, 698, 700, 702, 703,
5/705, 706, 709, 712, 717, 719, 720, 721,
5/727, 733, 737, 739, 740, 907; 401/52;
D20/27, 40, 42

See application file for complete search history.

(56) **References Cited**

U.S. PATENT DOCUMENTS

D43,426	S	*	1/1913	Leck	D20/27
3,102,634	A	*	9/1963	Borisof	401/52
D415,798	S	*	10/1999	Davies	D20/27
D437,722	S	*	2/2001	Ierino et al.	D6/596
D443,655	S	*	6/2001	Chaikel et al.	D20/27
6,272,701	B1	*	8/2001	Zafiroglu	5/499

(Continued)

Primary Examiner — Eric Goodman
Assistant Examiner — Bao-Yen Nguyen

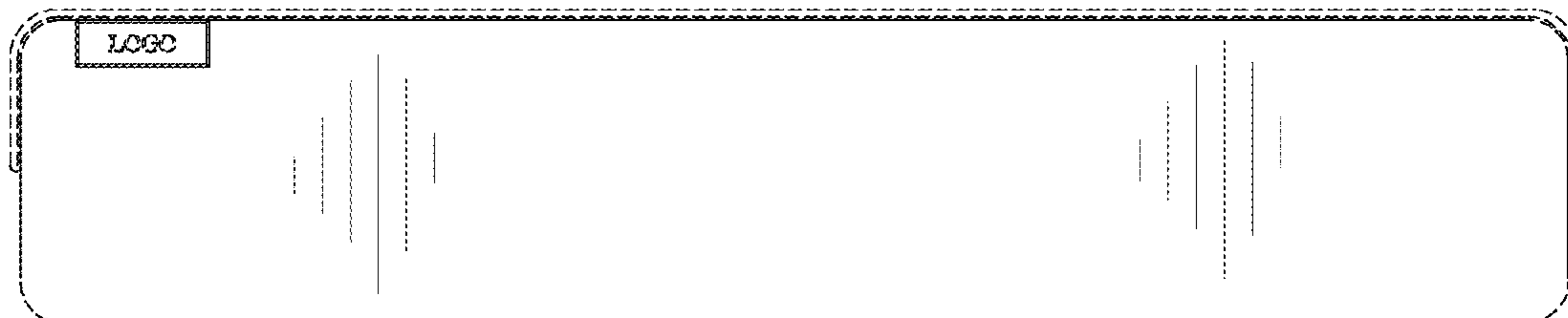
(57) **CLAIM**

The ornamental design for a mattress cover assembly and brand tag, as shown and described.

DESCRIPTION

FIG. 1 is a front elevational view of the mattress cover assembly and brand tag of the present invention;
FIG. 2 is a rear elevational view of the mattress cover assembly and brand tag of FIG. 1;
FIG. 3 is a left side elevational view of the mattress cover assembly and brand tag of FIG. 1;
FIG. 4 is a right side elevational view of the mattress cover assembly and brand tag of FIG. 1;
FIG. 5 is a top view of the mattress cover assembly and brand tag of FIG. 1;
FIG. 6 is a bottom view of the mattress cover assembly and brand tag of FIG. 1;
FIG. 7 is a perspective view of the mattress cover assembly and brand tag of FIG. 1;
FIG. 8 is another perspective view of the mattress cover assembly and brand tag of FIG. 1, showing the brand tag in an open configuration;
FIG. 9 is a perspective view of a mattress cover assembly and brand tag of the present invention in accordance with an alternative embodiment of the mattress cover assembly and brand tag, and showing the brand tag in an alternative location on the mattress cover assembly; and,
FIG. 10 is another perspective view of the mattress cover assembly and brand tag of FIG. 9, showing the brand tag in an open configuration.
The broken lines in the drawings represent the portions of the mattress cover assembly and brand tag that form no part of the claimed design.

1 Claim, 8 Drawing Sheets



(56)

References Cited

U.S. PATENT DOCUMENTS

D453,277 S * 2/2002 Wilson D6/605
 D493,197 S * 7/2004 Tagawa D20/27
 D494,223 S * 8/2004 Best et al. D20/27
 D504,159 S * 4/2005 Best et al. D20/27
 D507,446 S * 7/2005 Yeh D6/604
 D509,253 S * 9/2005 Makki D20/42
 D637,235 S * 5/2011 Reiss et al. D20/27
 D645,093 S * 9/2011 Manko D20/27
 D664,596 S * 7/2012 Luberto D20/27
 D665,615 S * 8/2012 Frame et al. D6/606
 D665,851 S * 8/2012 Davis D20/40
 D673,411 S * 1/2013 Roberts et al. D6/605
 D673,412 S * 1/2013 Roberts et al. D6/605
 D674,229 S * 1/2013 Roberts et al. D6/605
 D676,490 S * 2/2013 Bratter et al. D20/27
 D677,964 S * 3/2013 Agarwall D6/602
 D679,931 S * 4/2013 Itzkovitz D6/605

D682,359 S * 5/2013 Zhong D20/27
 D687,654 S * 8/2013 Jalan D6/602
 D687,894 S * 8/2013 Langan et al. D20/27
 D690,538 S * 10/2013 Nielsen et al. D6/605
 D690,962 S * 10/2013 Danileson D6/605
 D691,399 S * 10/2013 Jalan D6/602
 D691,831 S * 10/2013 Jorgensen et al. D6/605
 D693,143 S * 11/2013 Nielsen et al. D6/605
 D693,604 S * 11/2013 Asklof D6/605
 D695,838 S * 12/2013 Cole et al. D20/22
 D700,659 S * 3/2014 Ellison D20/27
 D703,977 S * 5/2014 Roberts et al. D6/605
 D704,478 S * 5/2014 Arnold D6/605
 D704,965 S * 5/2014 Arnold D6/605
 D709,954 S * 7/2014 Kasper et al. D20/27
 2006/0075569 A1* 4/2006 Giori et al. 5/709
 2011/0094039 A1* 4/2011 Tervo et al. 5/691
 2011/0173758 A1* 7/2011 Fontaine 5/709
 2013/0205506 A1* 8/2013 Lachenbruch et al. 5/691

* cited by examiner

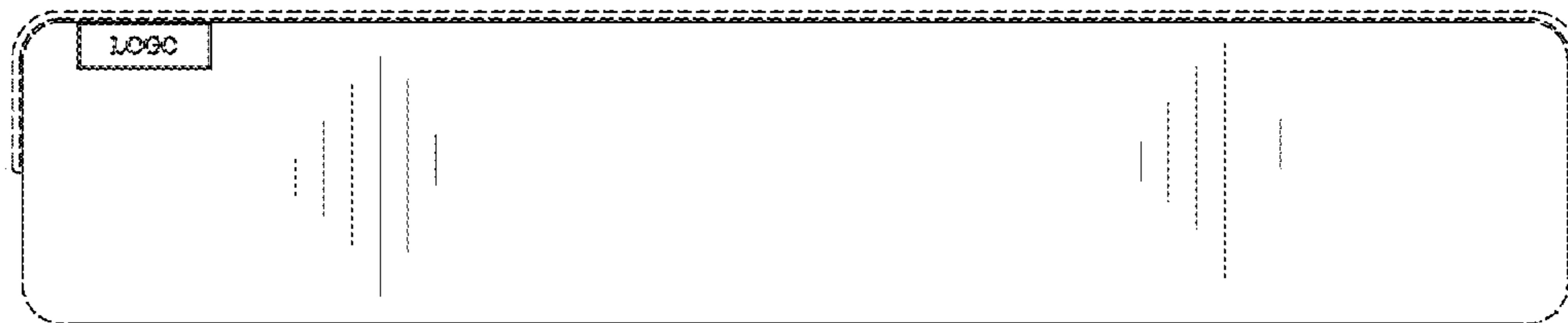


FIG. 1

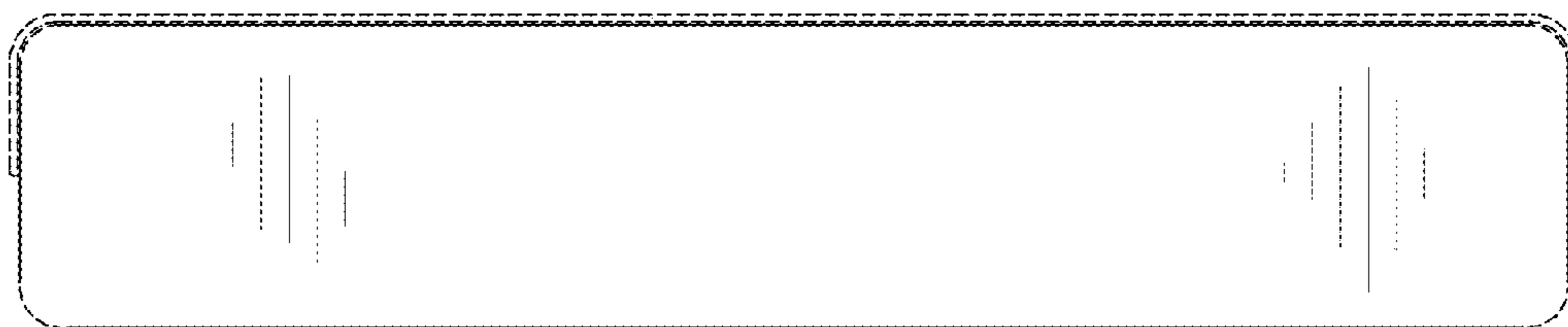


FIG. 2

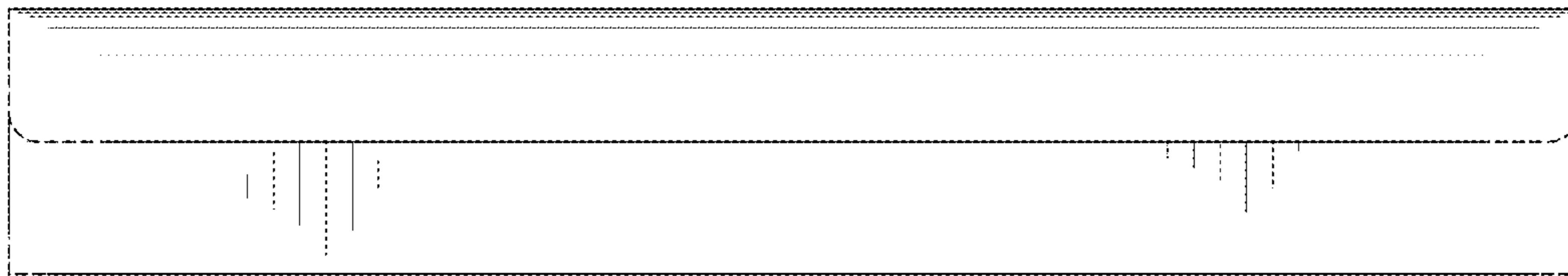


FIG. 3

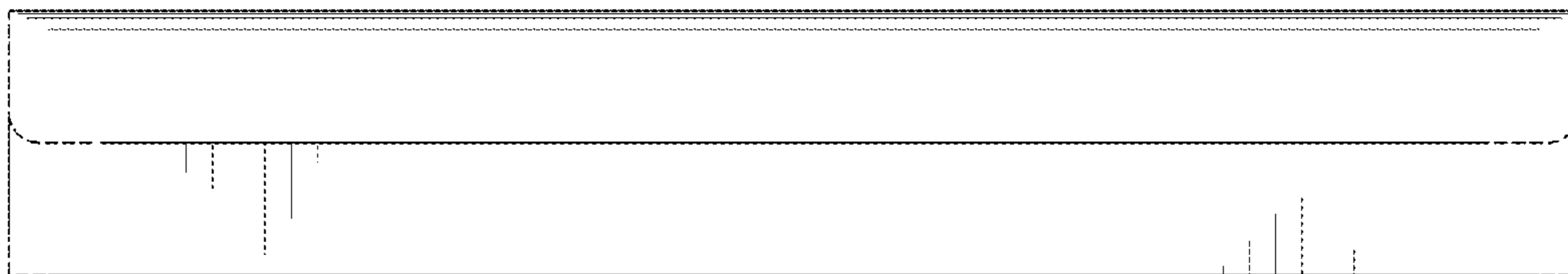


FIG. 4



FIG. 5

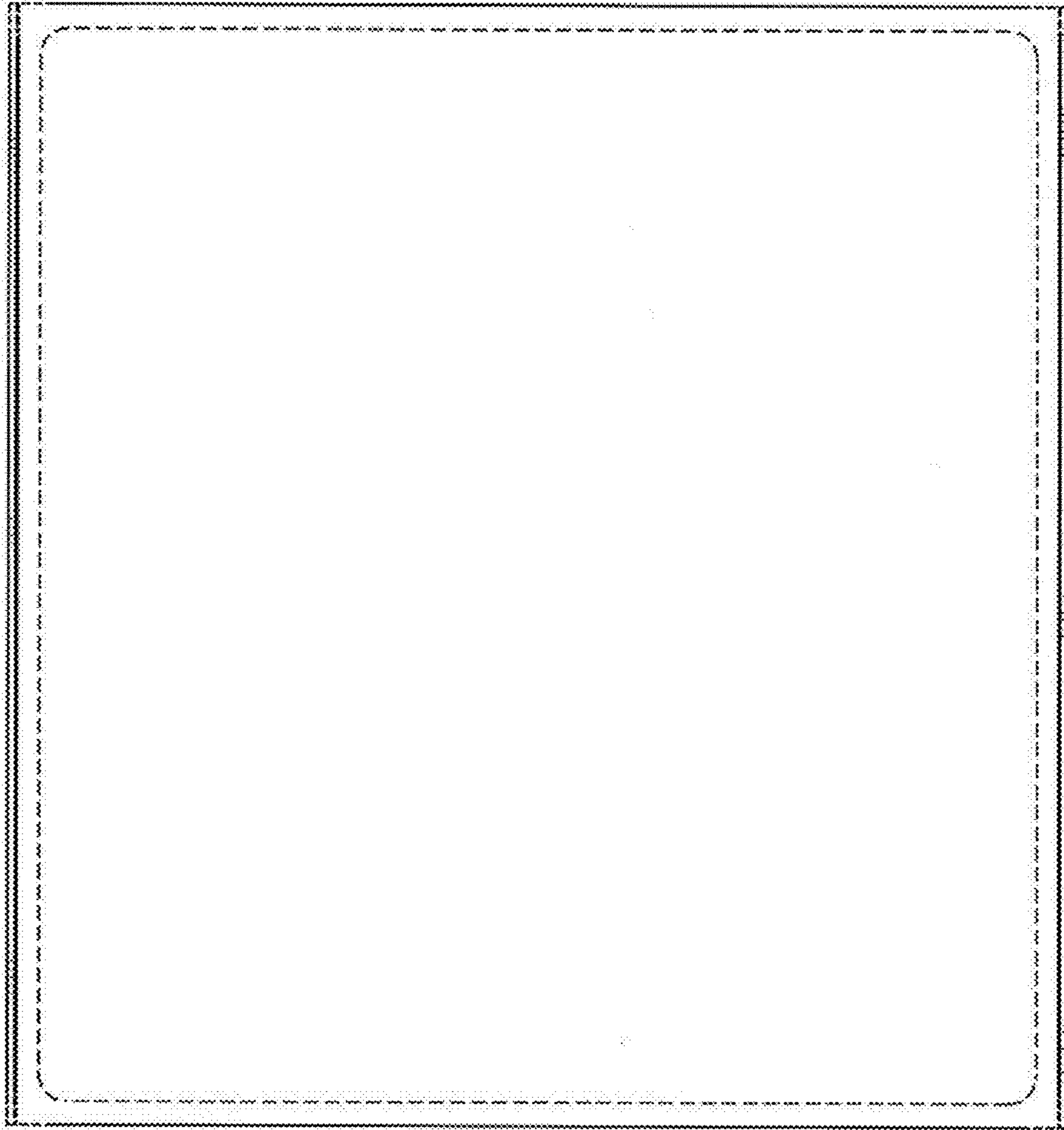


FIG. 6

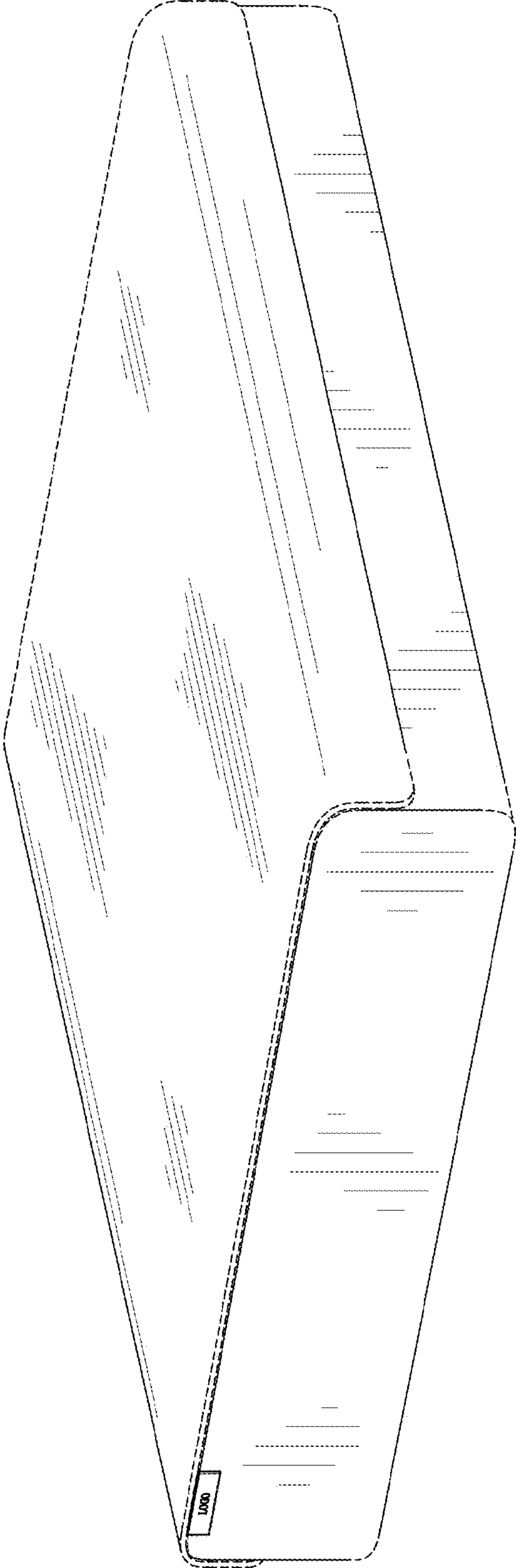


FIG. 7

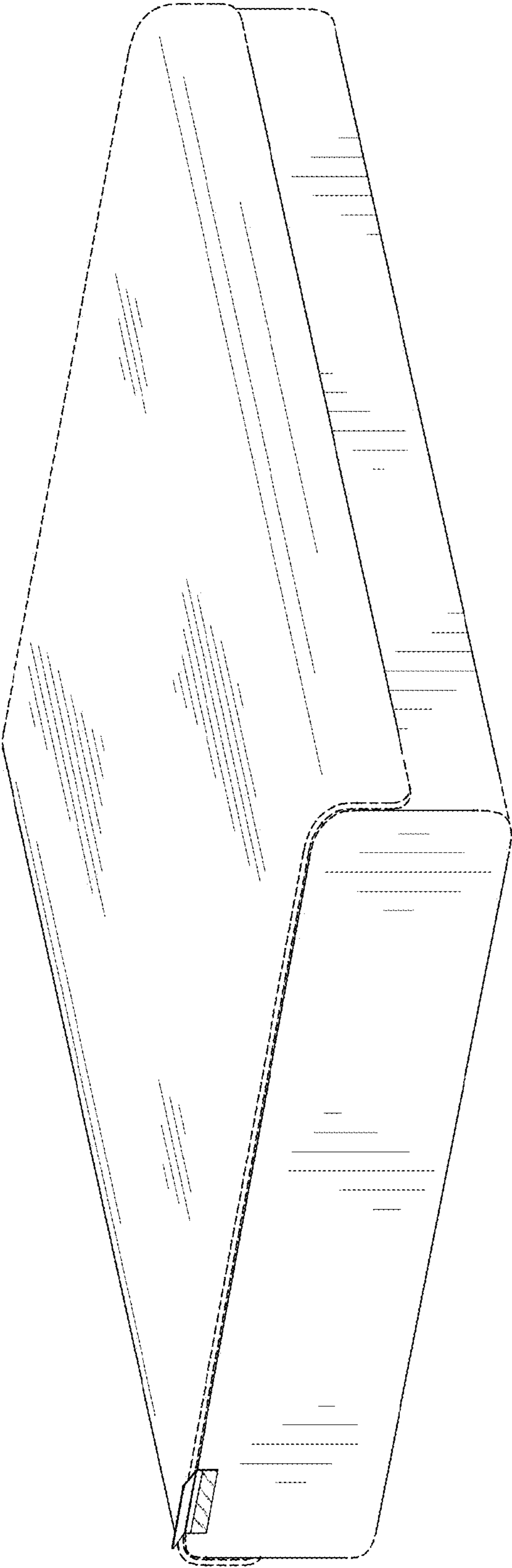


FIG. 8

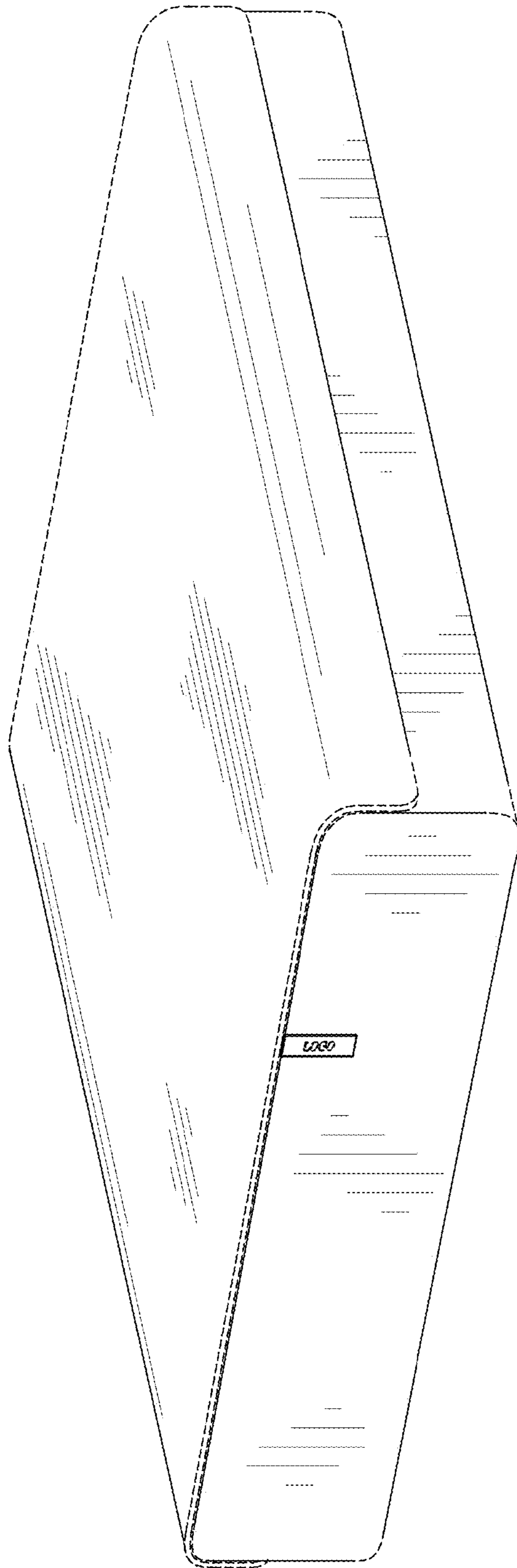


FIG. 9

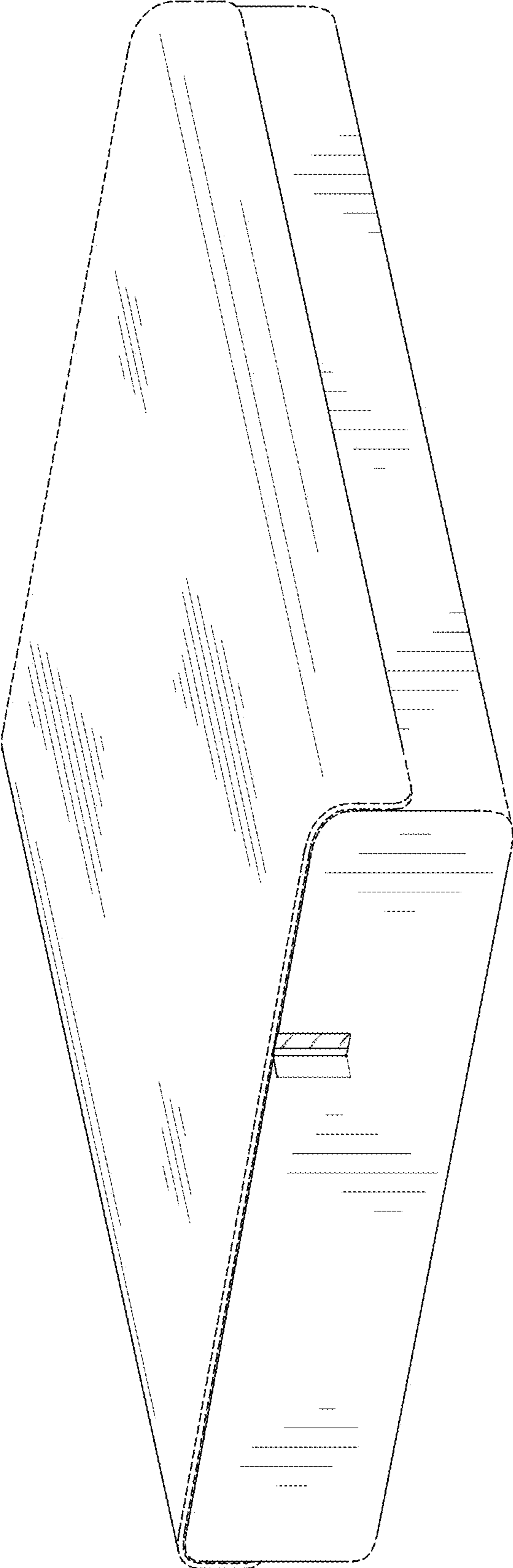


FIG. 10