



US00D741618S

(12) **United States Design Patent**
Haase et al.

(10) **Patent No.:** **US D741,618 S**
(45) **Date of Patent:** **** Oct. 27, 2015**

(54) **SEATING**

(71) Applicant: **Grand Rapids Chair Company**, Grand Rapids, MI (US)

(72) Inventors: **Ryan E. Haase**, Grand Rapids, MI (US);
Joel T. Ruiter, Grand Rapids, MI (US)

(73) Assignee: **Grand Rapids Chair Company**, Grand Rapids, MI (US)

(**) Term: **14 Years**

(21) Appl. No.: **29/488,533**

(22) Filed: **Apr. 21, 2014**

(51) **LOC (10) Cl.** **06-01**

(52) **U.S. Cl.**

USPC **D6/380**; D6/374; D6/360

(58) **Field of Classification Search**

USPC D6/334–336, 349, 360, 368, 370,
D6/371–373, 374, 375, 376, 379, 380, 716,
D6/716.1, 716.2, 716.3, 716.4

CPC A47C 3/04; A47C 4/06; A47C 5/046;
A47C 7/54; A47C 4/025; A47C 7/021;
A47C 7/18; A47C 9/007

See application file for complete search history.

(56) **References Cited**

U.S. PATENT DOCUMENTS

D106,440 S * 10/1937 Jackson D6/374
D110,386 S * 7/1938 Eppenstein D6/380
D168,465 S * 12/1952 Lucas D6/380

D193,657 S 9/1962 Van Buren
D194,742 S * 3/1963 Deaton D6/380
D197,643 S 3/1964 Kramer

(Continued)

OTHER PUBLICATIONS

Commonly assigned U.S. Appl. No. 29/526,730, filed May 13, 2015,
entitled Seating.

(Continued)

Primary Examiner — Mimoso De

(74) *Attorney, Agent, or Firm* — Gardner, Linn, Burkhardt &
Flory, LLP

(57)

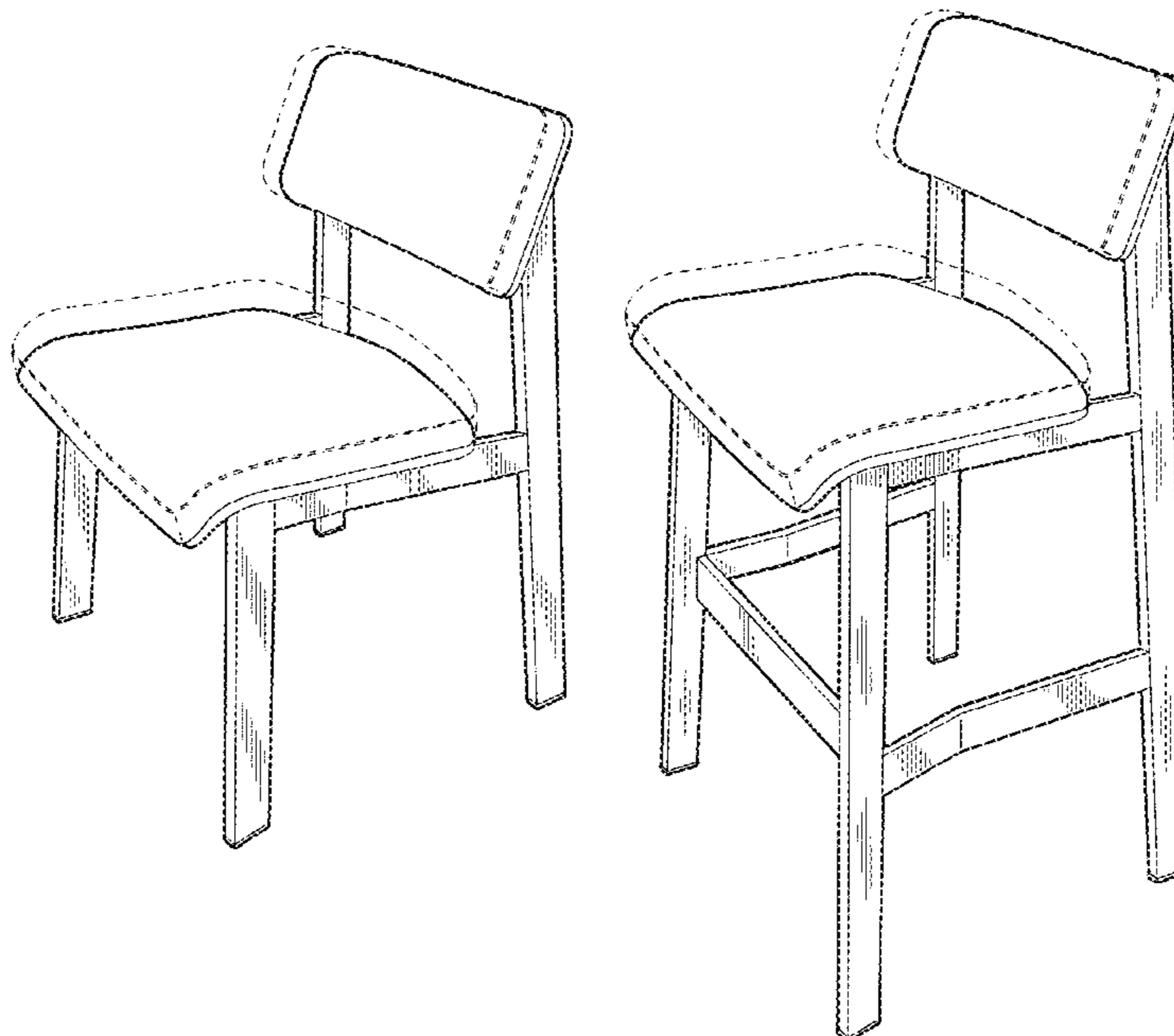
CLAIM

The ornamental design for seating, substantially as shown
and described.

DESCRIPTION

FIG. 1 is a perspective view of seating, according to a first
embodiment of the present invention;
FIG. 2 is a front elevation view of the seating of FIG. 1;
FIG. 3 is a left-side elevation view of the seating of FIG. 1;
FIG. 4 is a rear elevation view of the seating of FIG. 1;
FIG. 5 is a right-side elevation view of the seating of FIG. 1;
FIG. 6 is a top plan view of the seating of FIG. 1;
FIG. 7 is a bottom plan view of the seating of FIG. 1;
FIG. 8 is a perspective view of the seating, according to a
second embodiment of the present invention;
FIG. 9 is a front elevation view of the seating of FIG. 8;
FIG. 10 is a left-side elevation view of the seating of FIG. 8;
FIG. 11 is a rear elevation view of the seating of FIG. 8;
FIG. 12 is a right-side elevation view of the seating of FIG. 8;
FIG. 13 is a top plan view of the seating of FIG. 8; and,
FIG. 14 is a bottom plan view of the seating of FIG. 8.
The broken lines shown are included for the purpose of illus-
trating environment of the design and form no part of the
claimed design.

1 Claim, 10 Drawing Sheets



(56)

References Cited

U.S. PATENT DOCUMENTS

D202,549 S 10/1965 Kramer
 D202,550 S 10/1965 Kramer
 D223,244 S 4/1972 Prashker
 D239,988 S 5/1976 Dittert
 D240,780 S 8/1976 Dittert
 D243,807 S * 3/1977 Palmer D6/380
 D244,330 S * 5/1977 Silbaugh D6/380
 4,032,190 A 6/1977 Muller-Deisig et al.
 D255,183 S 6/1980 Locher
 D255,293 S 6/1980 Locher
 D268,799 S 5/1983 Feldberg
 D272,018 S * 1/1984 Thompson D6/380
 D272,393 S 1/1984 Klier
 D275,533 S * 9/1984 Lantz D6/368
 D279,155 S 6/1985 Aronowitz et al.
 D307,221 S 4/1990 Mudge
 D339,940 S 10/1993 Balderi et al.
 D346,911 S 5/1994 Lucci et al.
 D353,719 S * 12/1994 Ward D6/370
 D372,132 S 7/1996 Infanti
 D375,848 S 11/1996 Grosfillex
 D381,828 S 8/1997 Kemnitzer
 D420,821 S * 2/2000 Barile et al. D6/360
 D422,806 S 4/2000 Neil
 D454,260 S * 3/2002 Tseng D6/360
 D512,236 S 12/2005 Preisig
 D512,238 S 12/2005 Chen
 D524,071 S 7/2006 Brooks
 D528,813 S * 9/2006 Sienkowski et al. D6/374
 7,118,175 B2 * 10/2006 Crue A47C 3/04
 D531,420 S 11/2006 Kita
 D544,225 S * 6/2007 Cantarutti D6/368
 D544,228 S 6/2007 Bartlmae
 D559,570 S 1/2008 Higgs et al.
 D566,979 S 4/2008 Cox et al.
 D572,049 S 7/2008 Kerr

D572,928 S 7/2008 Rittfeldt et al.
 D578,789 S * 10/2008 Ciani et al. D6/380
 D582,692 S 12/2008 Kerr
 D588,826 S * 3/2009 Ricchio D6/380
 D597,757 S 8/2009 Barbieri
 D597,758 S 8/2009 Barrett et al.
 D609,036 S 2/2010 Miller et al.
 D611,740 S 3/2010 Koh
 D617,567 S * 6/2010 Stiker Metral D6/360
 D630,449 S * 1/2011 Kelemer D6/368
 D643,652 S 8/2011 Piretti
 D644,849 S 9/2011 Sienkowski et al.
 D646,087 S 10/2011 Miller et al.
 D648,566 S 11/2011 Sienkowski et al.
 D651,006 S * 12/2011 Jordan et al. D6/360
 8,112,868 B2 2/2012 Miller
 D659,424 S 5/2012 Gramza et al.
 D659,444 S 5/2012 James
 D663,131 S 7/2012 Barefoot et al.
 D672,975 S 12/2012 Rashid
 D683,558 S 6/2013 Rada et al.
 D686,836 S 7/2013 Mascetti et al.
 8,511,753 B2 * 8/2013 Huang A47C 3/04
 D704,470 S * 5/2014 Welborn D6/379
 D707,461 S 6/2014 Rada et al.
 2009/0212607 A1 8/2009 Kaloustian et al.
 2011/0278889 A1 11/2011 Sienkowski et al.

OTHER PUBLICATIONS

Commonly assigned U.S. Appl. No. 29/515,469, filed Jan. 23, 2015, entitled Chair.
 Commonly assigned U.S. Appl. No. 29/454,332, filed May 9, 2013, entitled Chair and Ottoman.
 Commonly assigned U.S. Appl. No. 29/457,431, filed Jun. 10, 2013, entitled Chair.
 Commonly assigned U.S. Appl. No. 29/486,619, filed Apr. 1, 2014, entitled Seating.

* cited by examiner

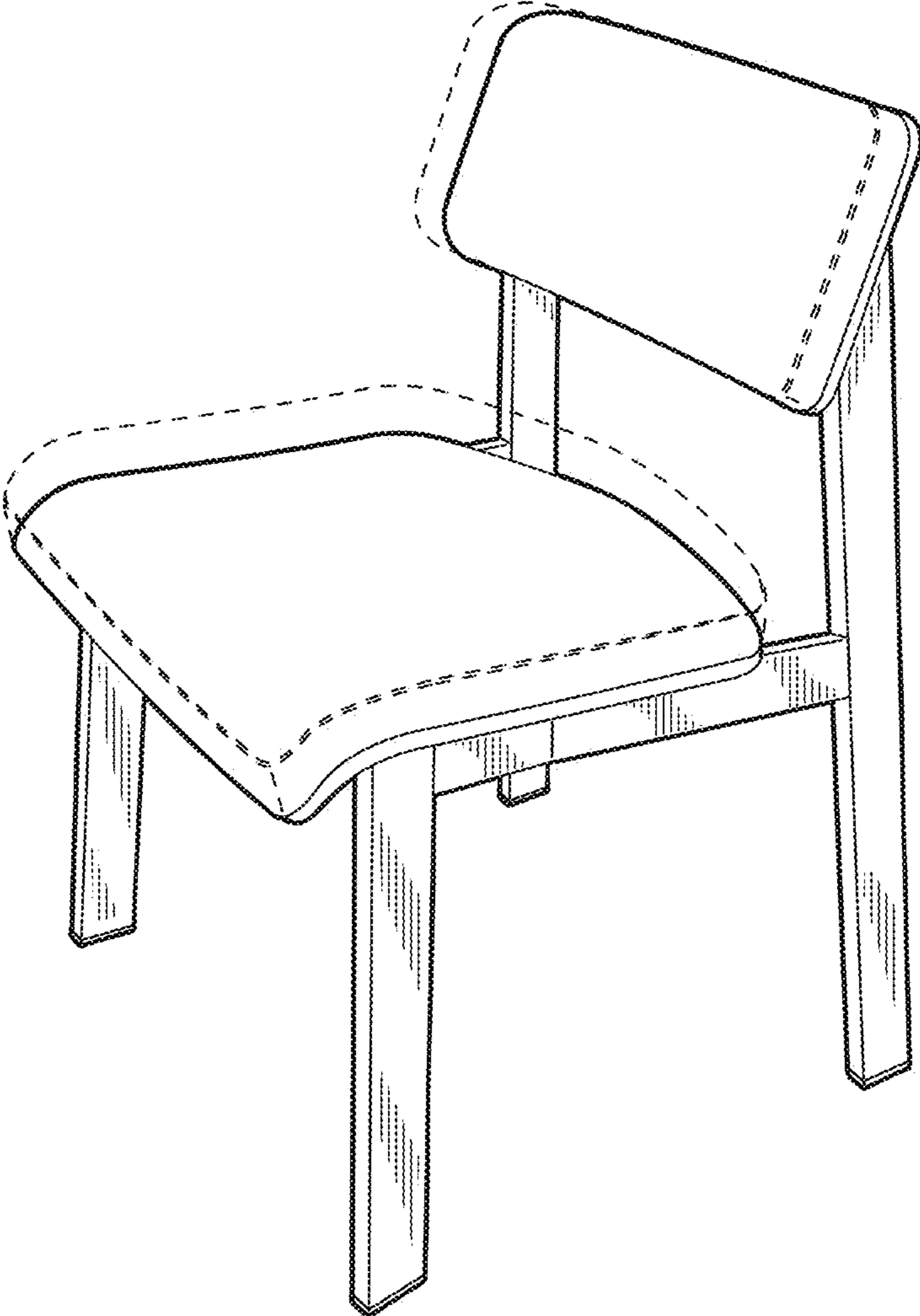


FIG. 1

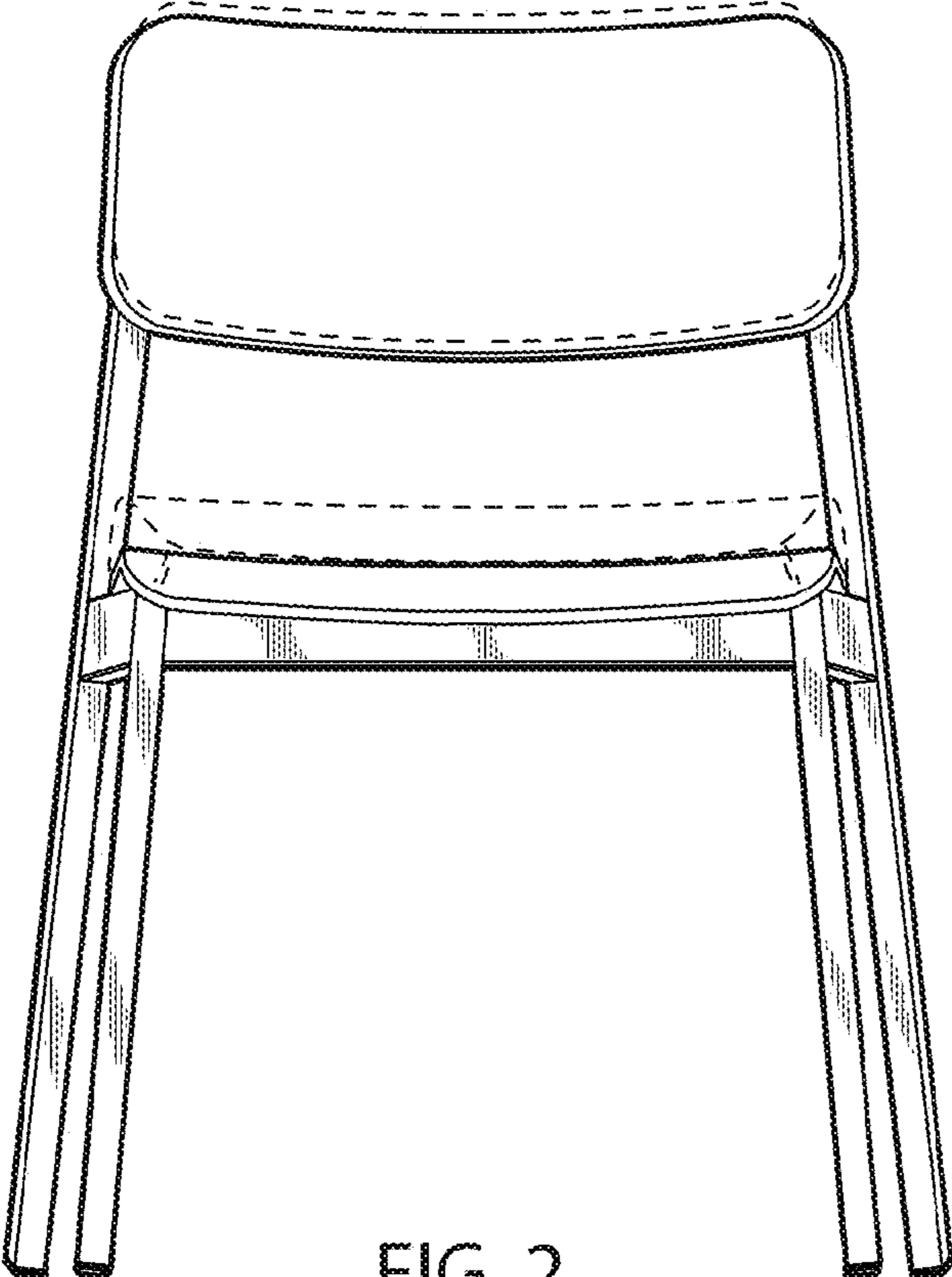


FIG. 2

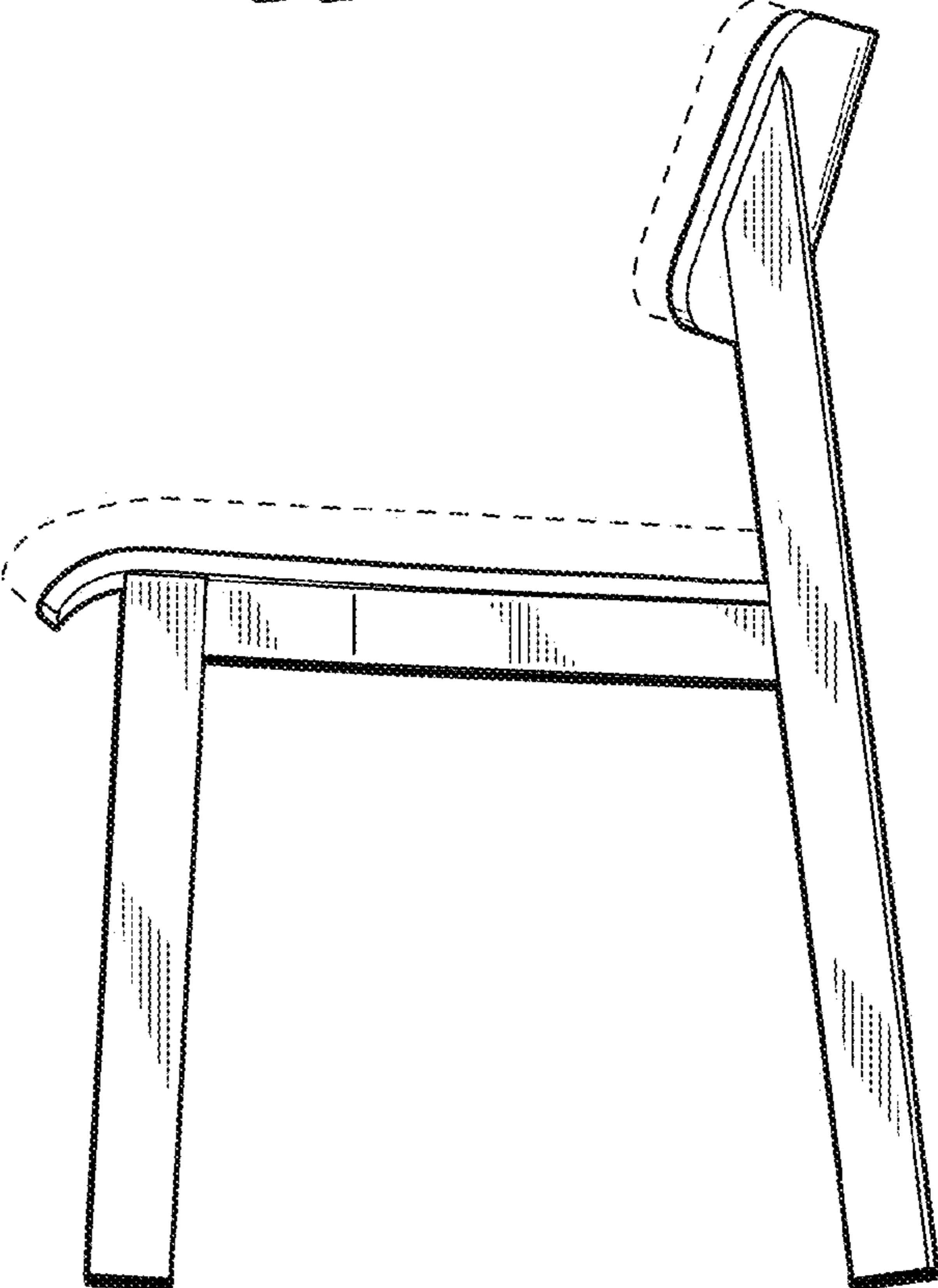


FIG. 3

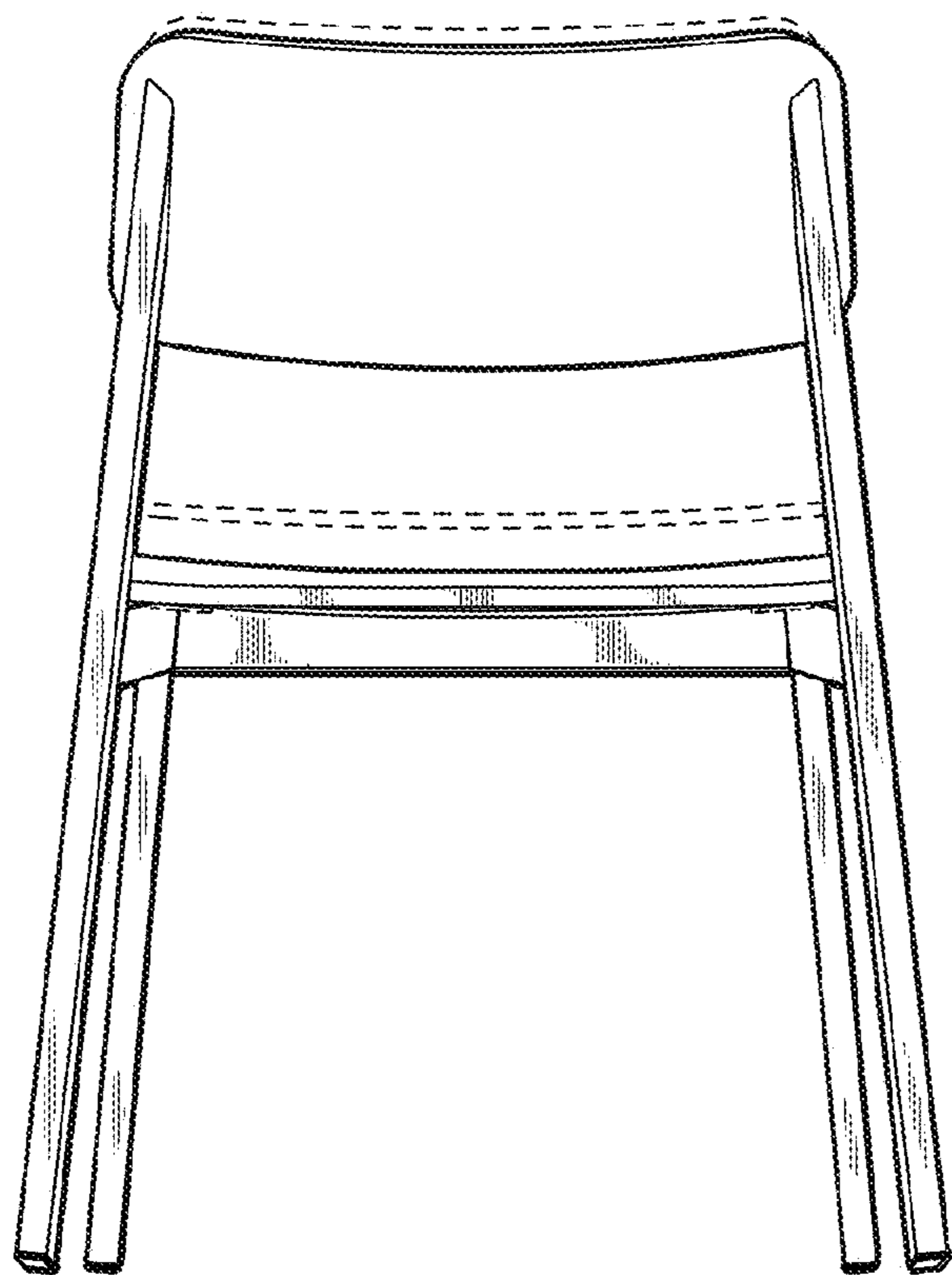


FIG. 4

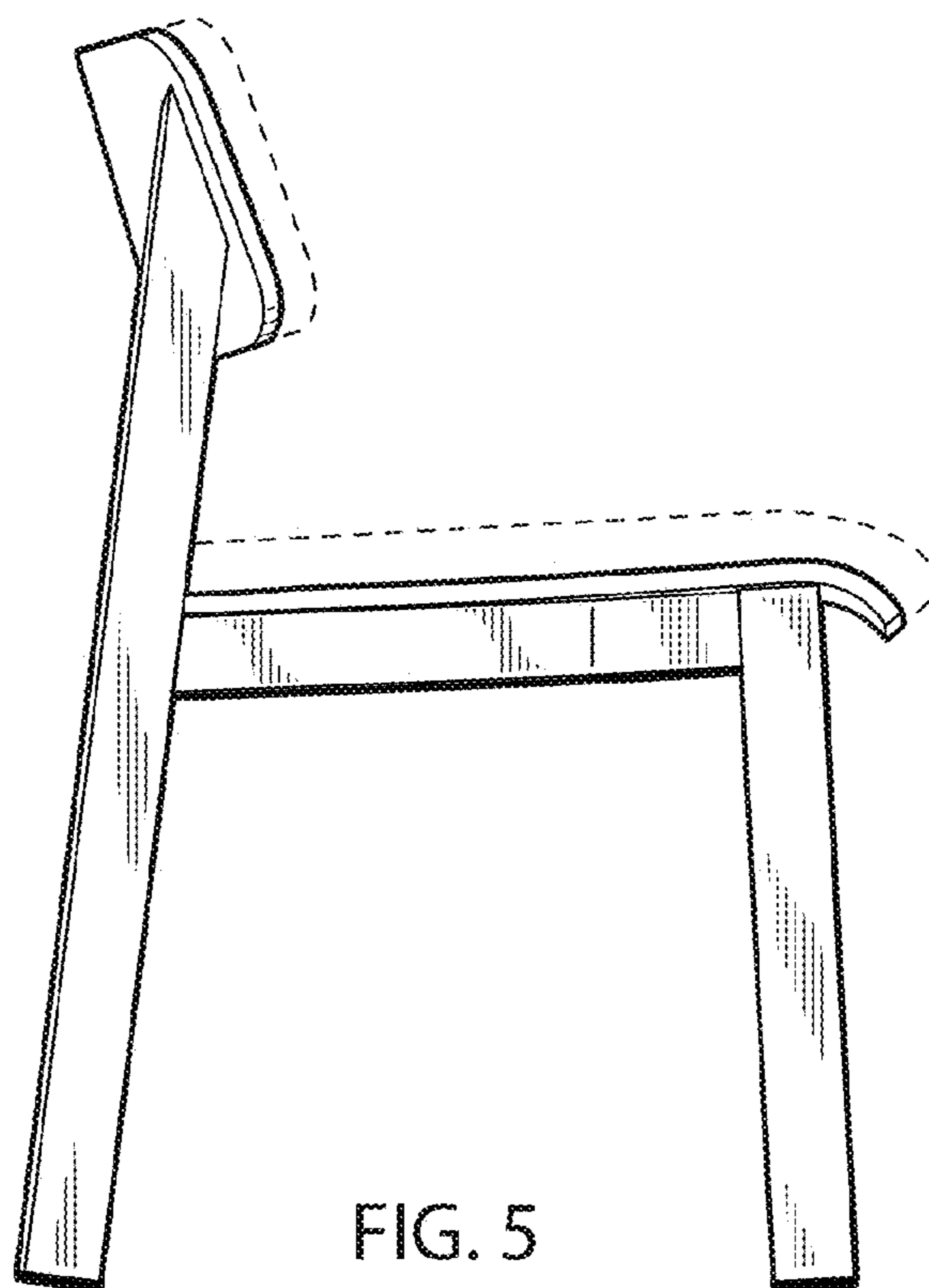


FIG. 5

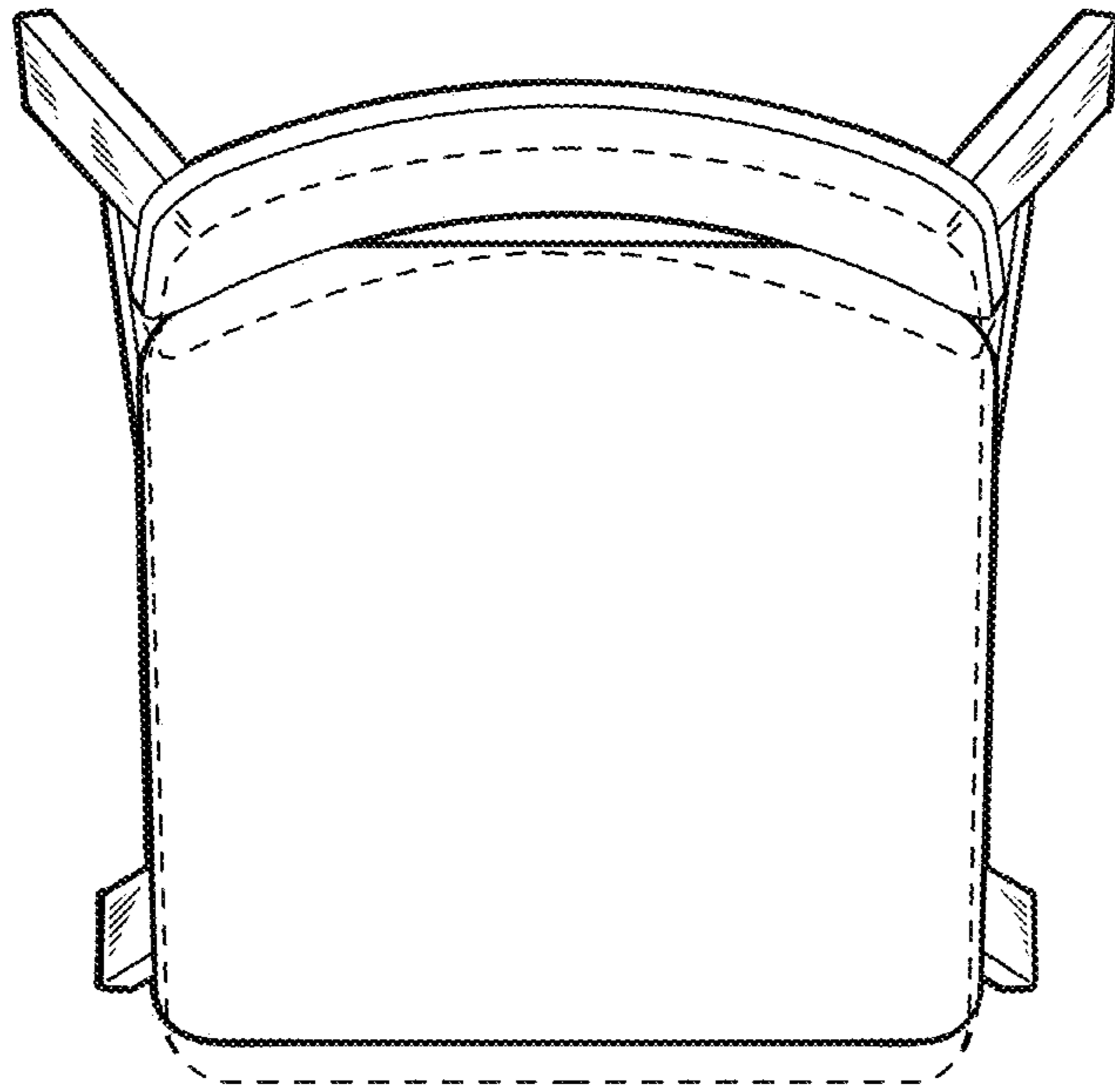


FIG. 6

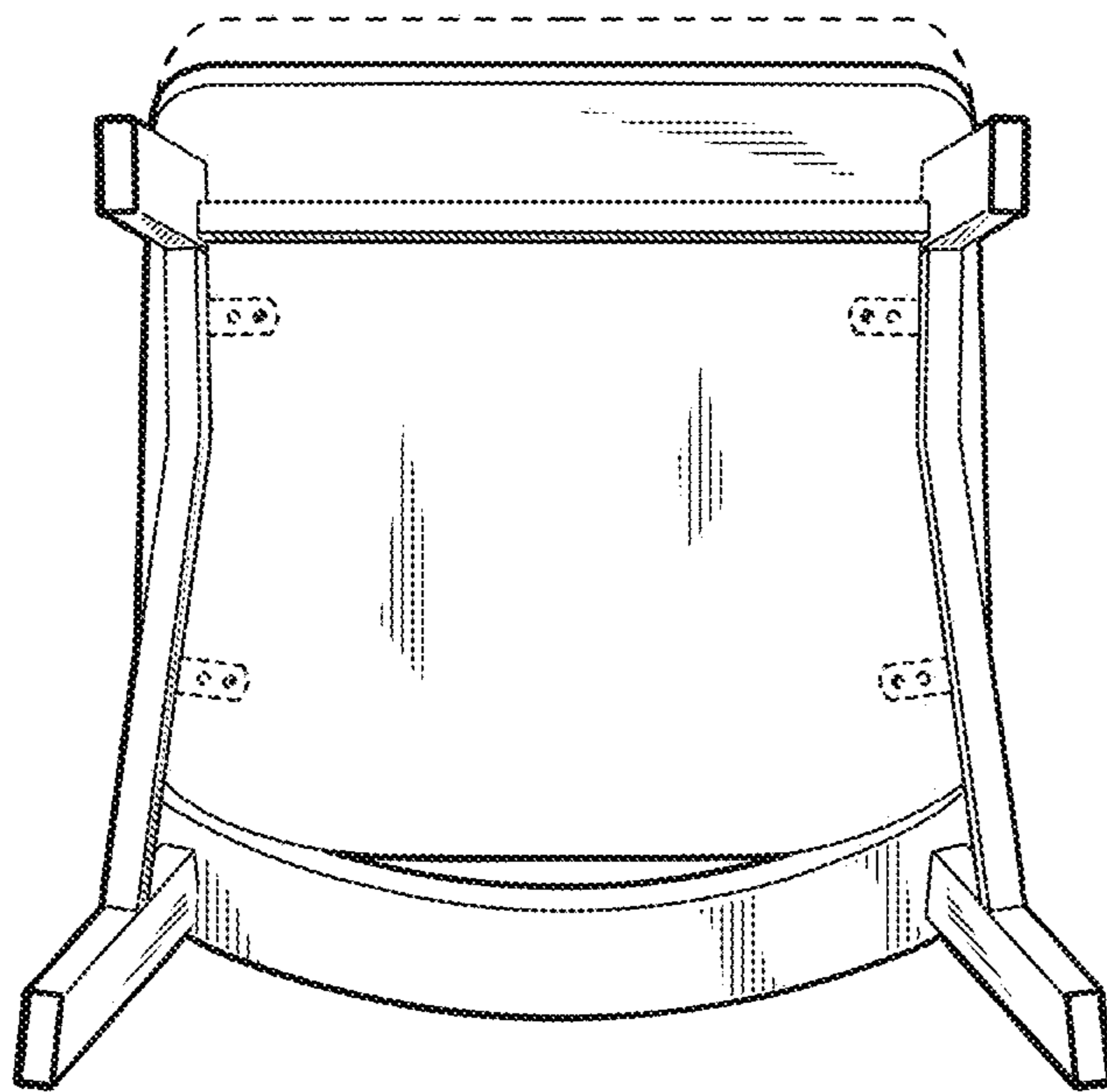


FIG. 7

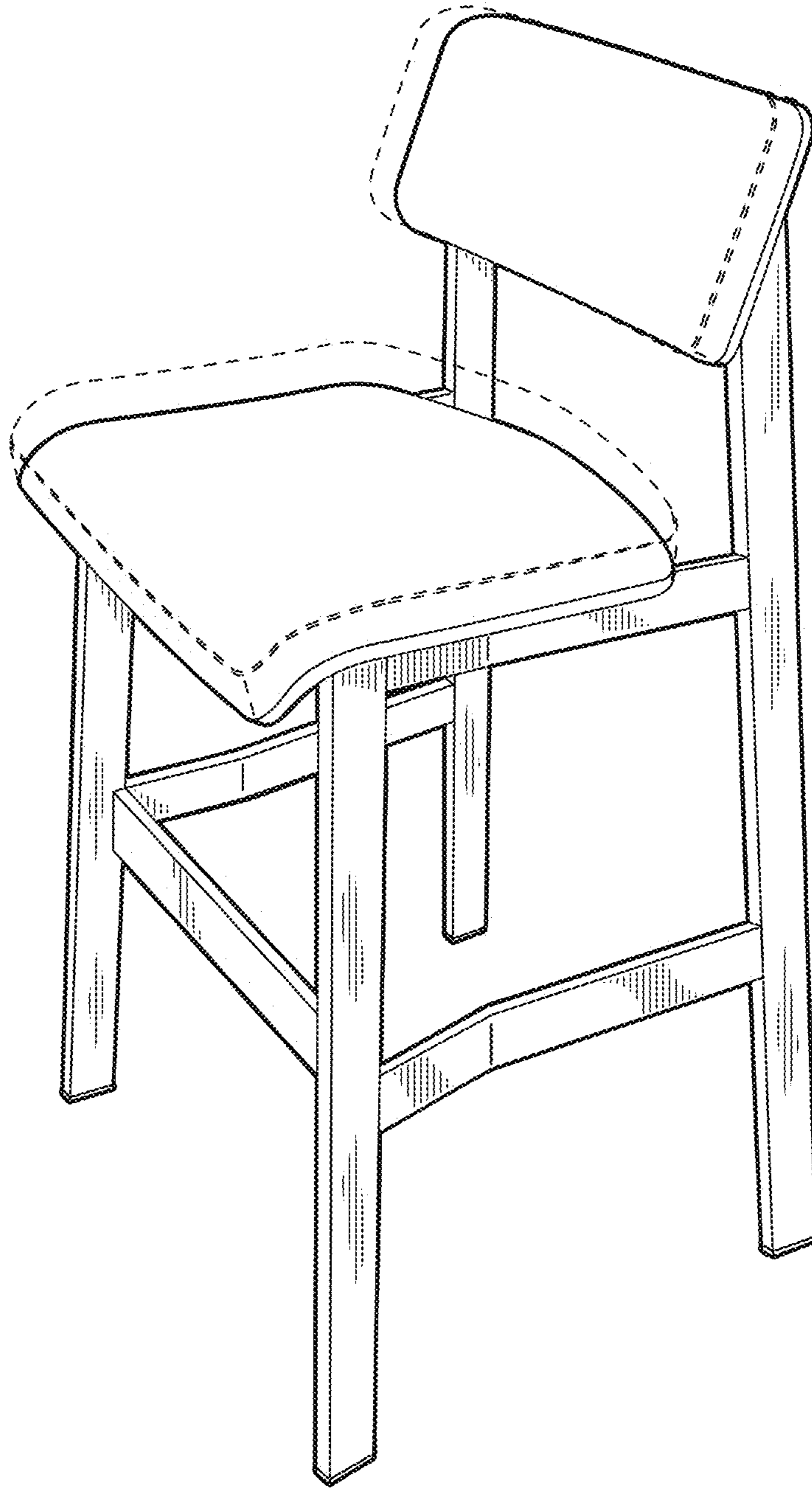


FIG. 8

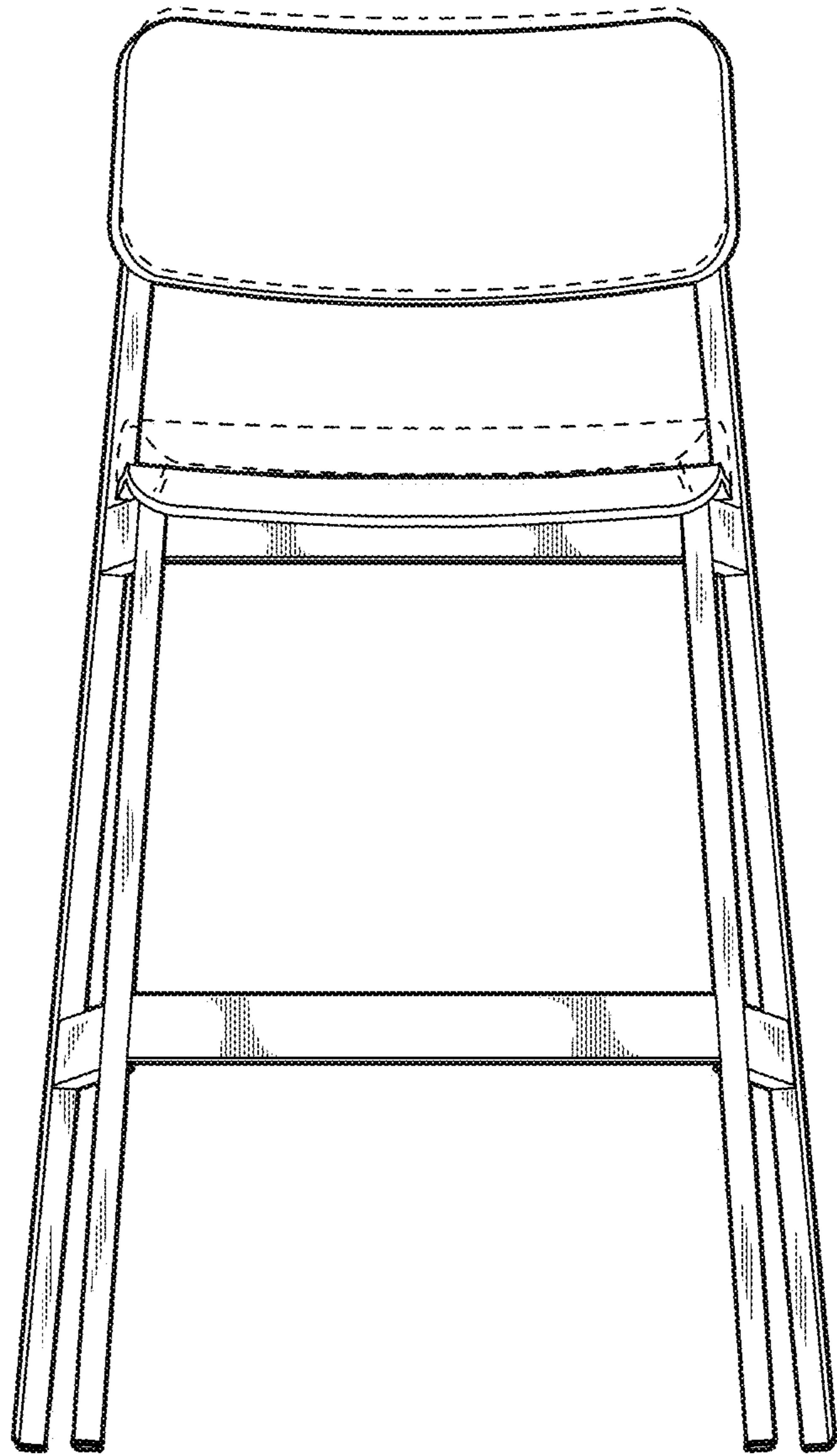


FIG. 9

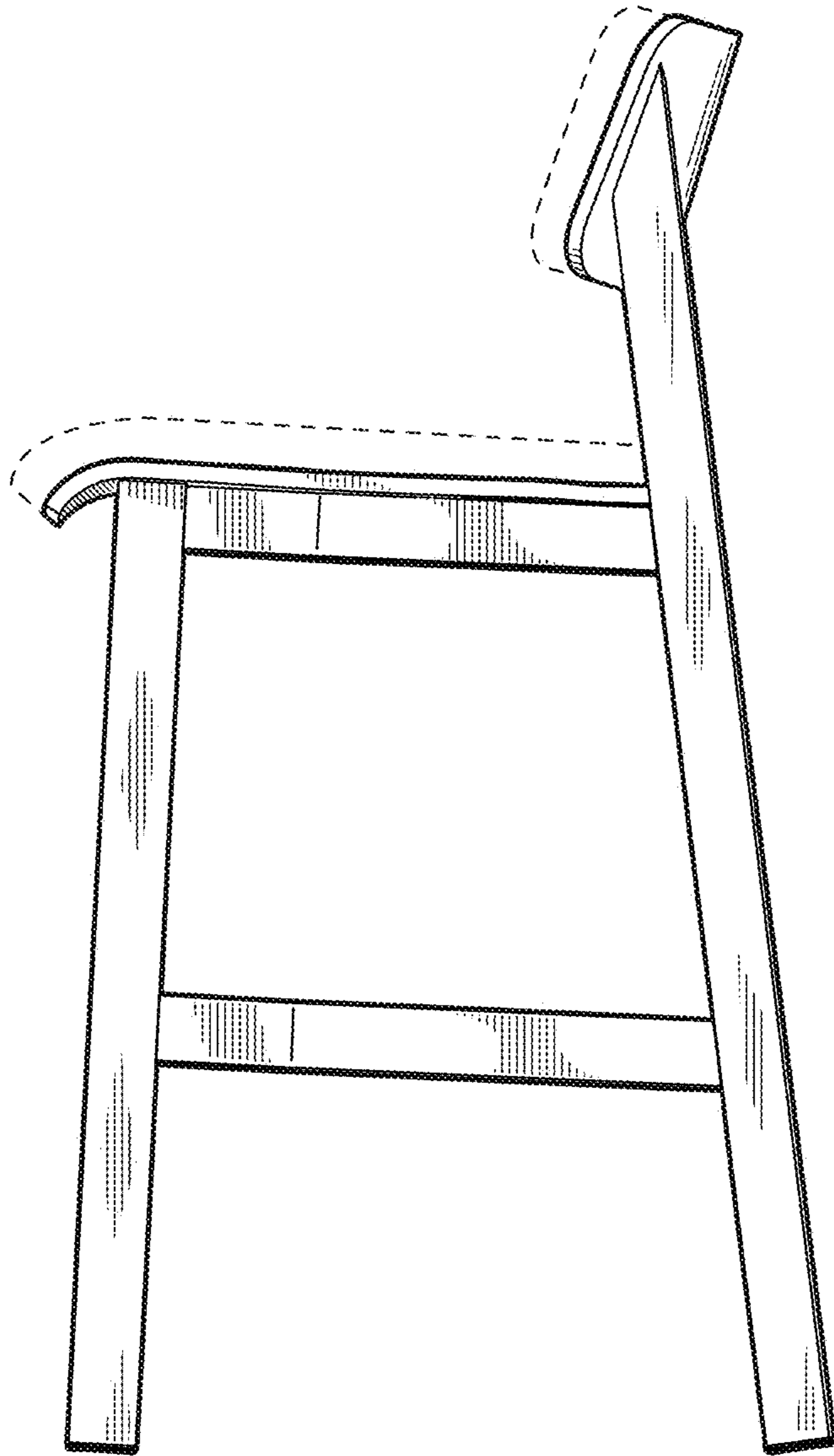


FIG. 10

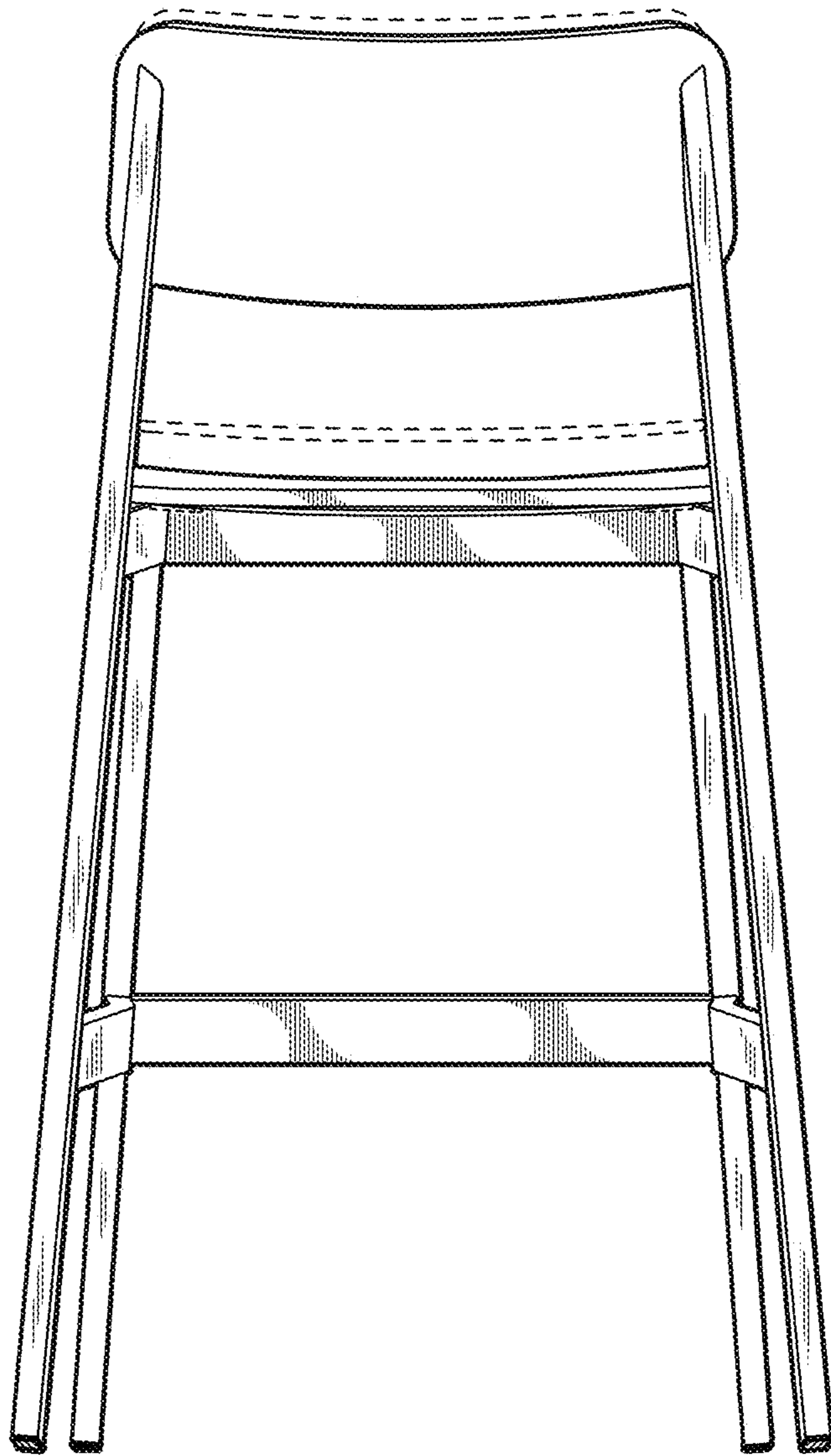


FIG. 11

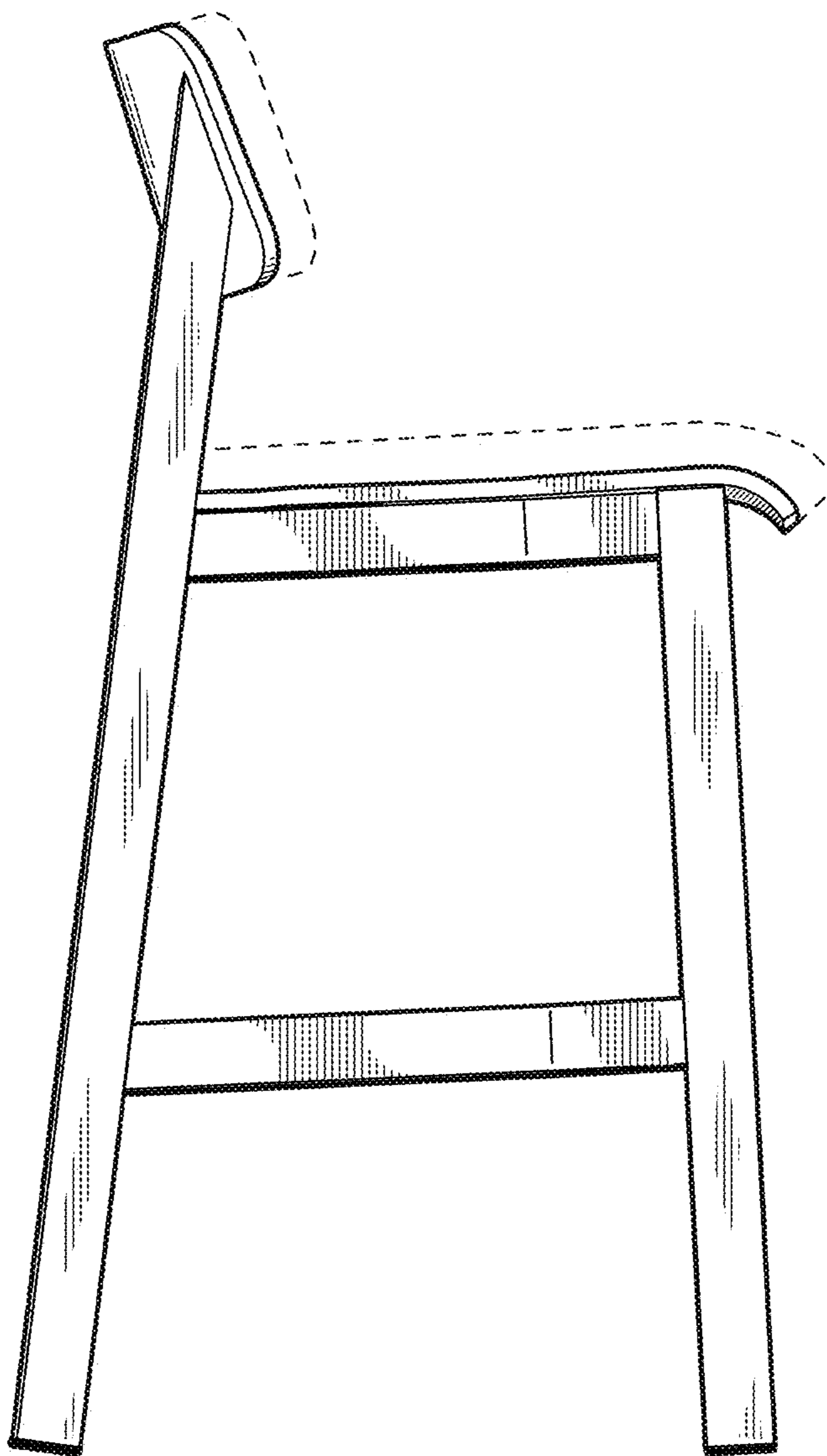


FIG. 12

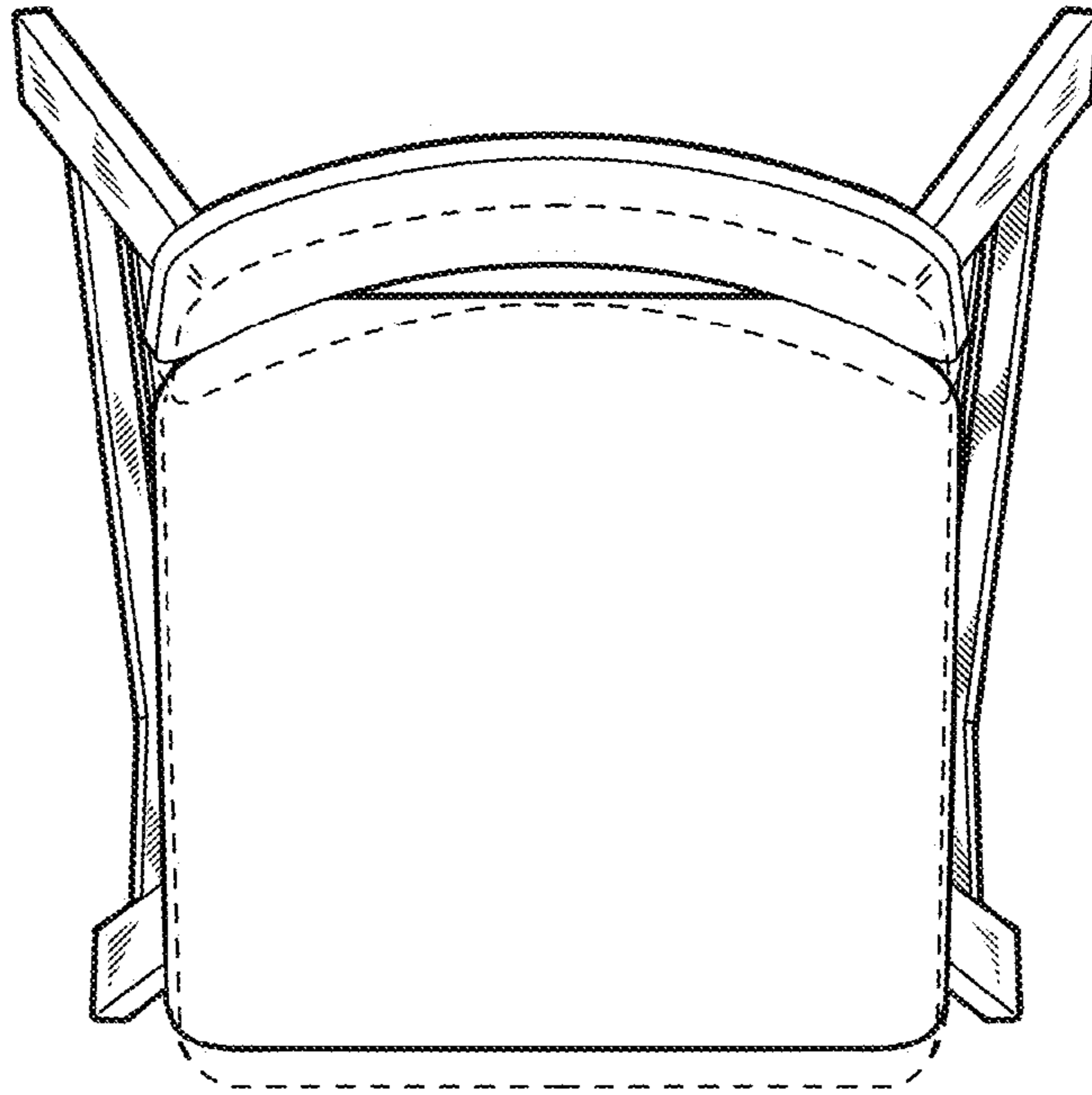


FIG. 13

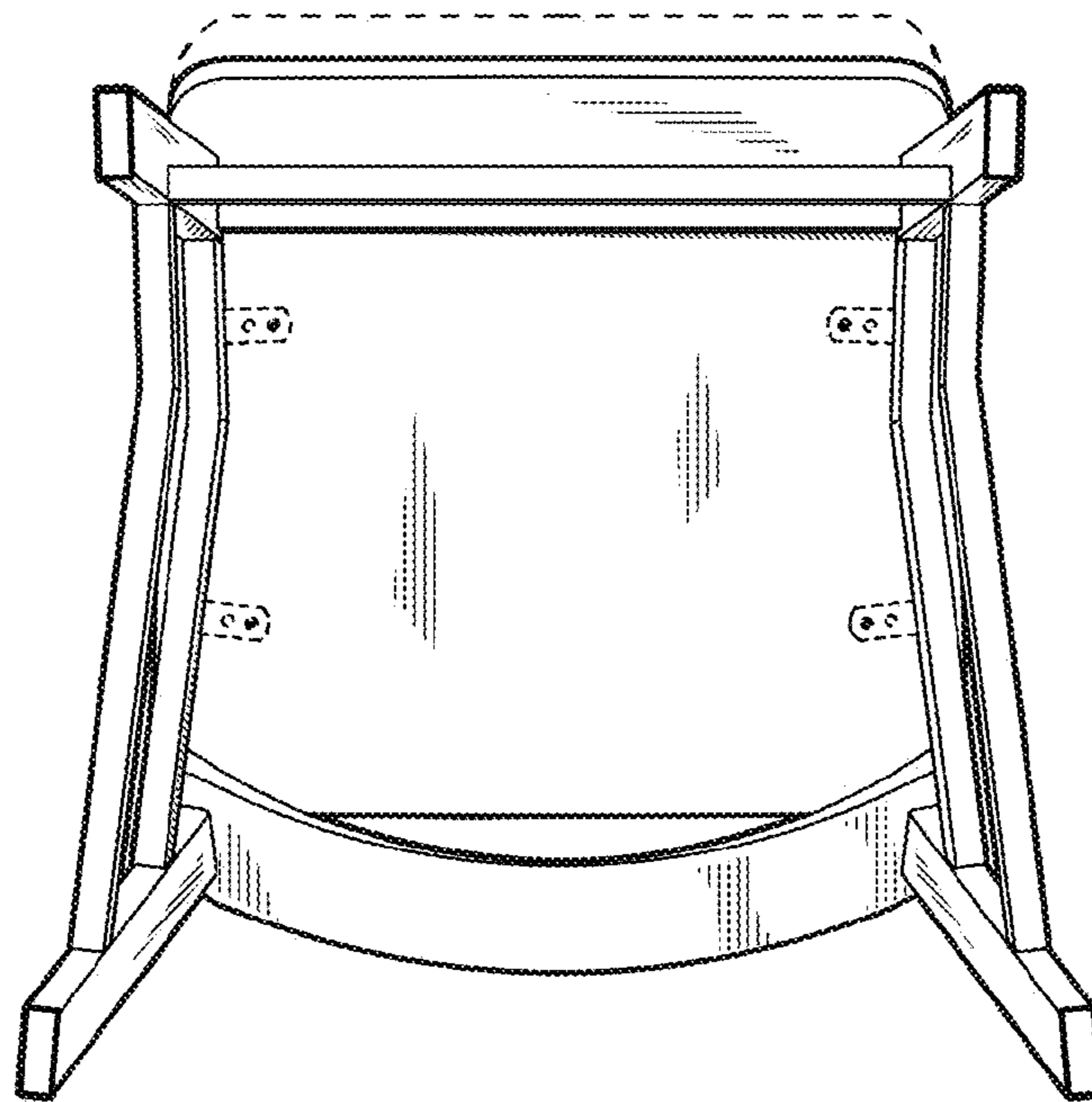


FIG. 14