



US00D741607S

(12) **United States Design Patent**  
**Rajasingham**

(10) **Patent No.:** **US D741,607 S**

(45) **Date of Patent:** **\*\* Oct. 27, 2015**

(54) **CHILD SEAT**

(56) **References Cited**

(71) Applicant: **Arjuna Indraeswaran Rajasingham,**  
Bethesda, MD (US)

(72) Inventor: **Arjuna Indraeswaran Rajasingham,**  
Bethesda, MD (US)

(\*\*) Term: **14 Years**

(21) Appl. No.: **29/463,329**

(22) Filed: **Oct. 15, 2013**

(51) **LOC (10) Cl.** ..... **06-01**

(52) **U.S. Cl.**  
USPC ..... **D6/333**

(58) **Field of Classification Search**  
USPC ..... D6/333-335, 344, 339, 702, 716,  
D6/716.1-716.7; 4/572.1, 571.1, 578.1,  
4/586, 590; 297/183.1-183.4, 184.13,  
297/184.17, 256.1, 467, 487, 488, 445.1;  
D21/419, 412; 5/94, 98.2, 103-104,  
5/93.1, 99.1, 101, 98.1, 12.1;  
D12/129-130; 280/30-31  
CPC ..... A47K 3/127; A47K 3/024; A47K 3/064;  
A47K 3/074; A47D 13/02; A47D 13/04

See application file for complete search history.

U.S. PATENT DOCUMENTS

D311,822 S *	11/1990	Meeker .....	D6/333
D373,028 S *	8/1996	Kain .....	D6/333
D402,124 S *	12/1998	Haut et al. ....	D6/333
D430,737 S *	9/2000	Nowak et al. ....	D6/333
D431,116 S *	9/2000	Gibson et al. ....	D6/333
D487,640 S *	3/2004	Chen .....	D6/333
D621,171 S *	8/2010	Xu .....	D6/333
D637,824 S *	5/2011	Daly et al. ....	D6/333
D661,500 S *	6/2012	Hutchinson et al. ....	D6/333
D692,678 S *	11/2013	Williams et al. ....	D6/333
D697,323 S *	1/2014	Williams et al. ....	D6/333

\* cited by examiner

*Primary Examiner* — Caron D Veynar  
*Assistant Examiner* — Abraham Bahta

(57) **CLAIM**  
The ornamental design for a child seat, as shown and described.

**DESCRIPTION**

FIG. 1 is a top view of the child seat showing my new design; FIG. 2 is a top perspective view thereof; FIG. 3 is a front view thereof; FIG. 4 is a left side view thereof; FIG. 5 is a right side perspective view thereof; FIG. 6 is a rear-right side perspective view thereof; FIG. 7 is a left side front perspective view thereof; and, FIG. 8 is a bottom-rear-right side perspective view thereof. The child safety seat for a vehicle of this design has an open architecture, has a recline mechanism and safety features.

**1 Claim, 2 Drawing Sheets**

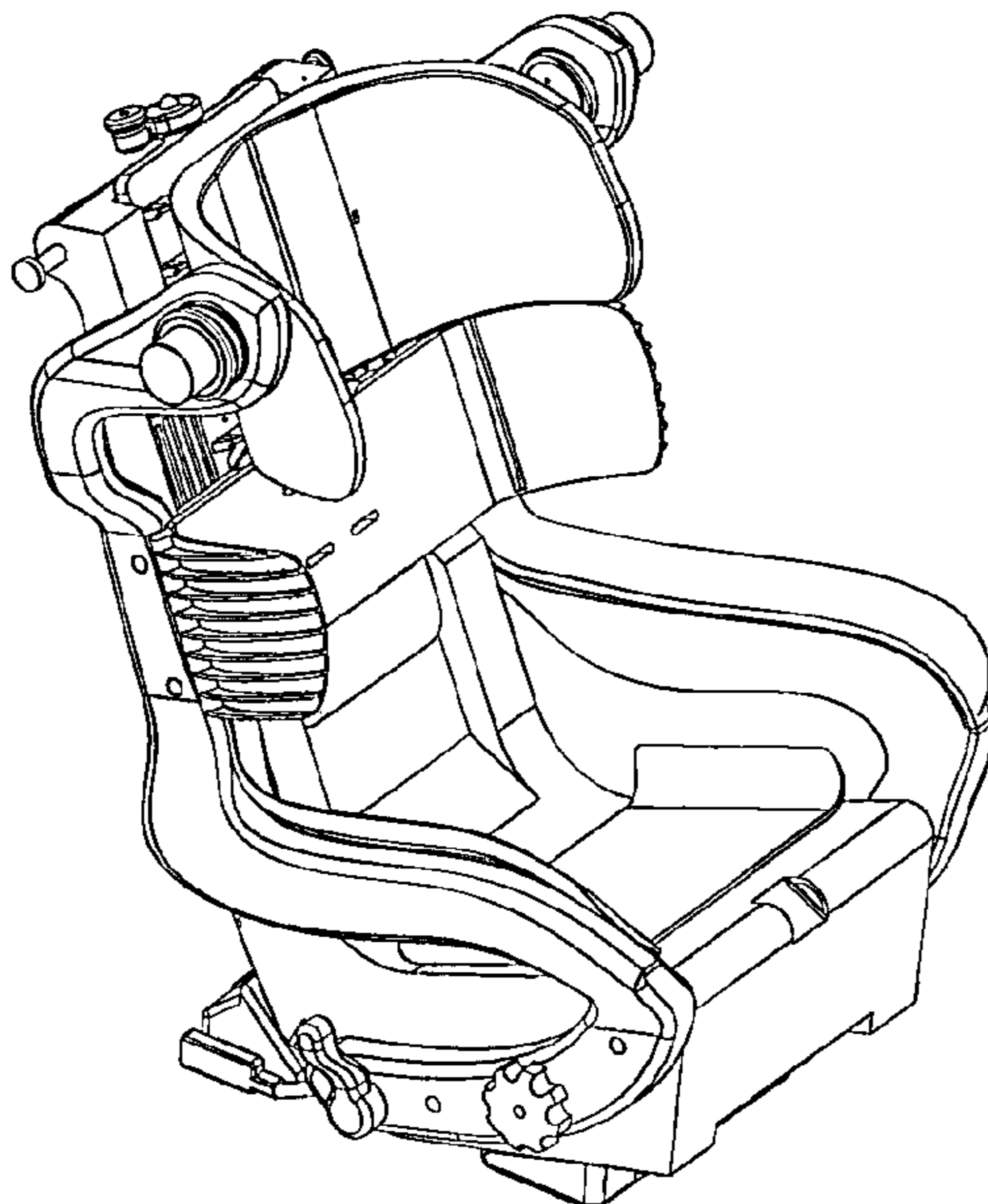


Fig 2

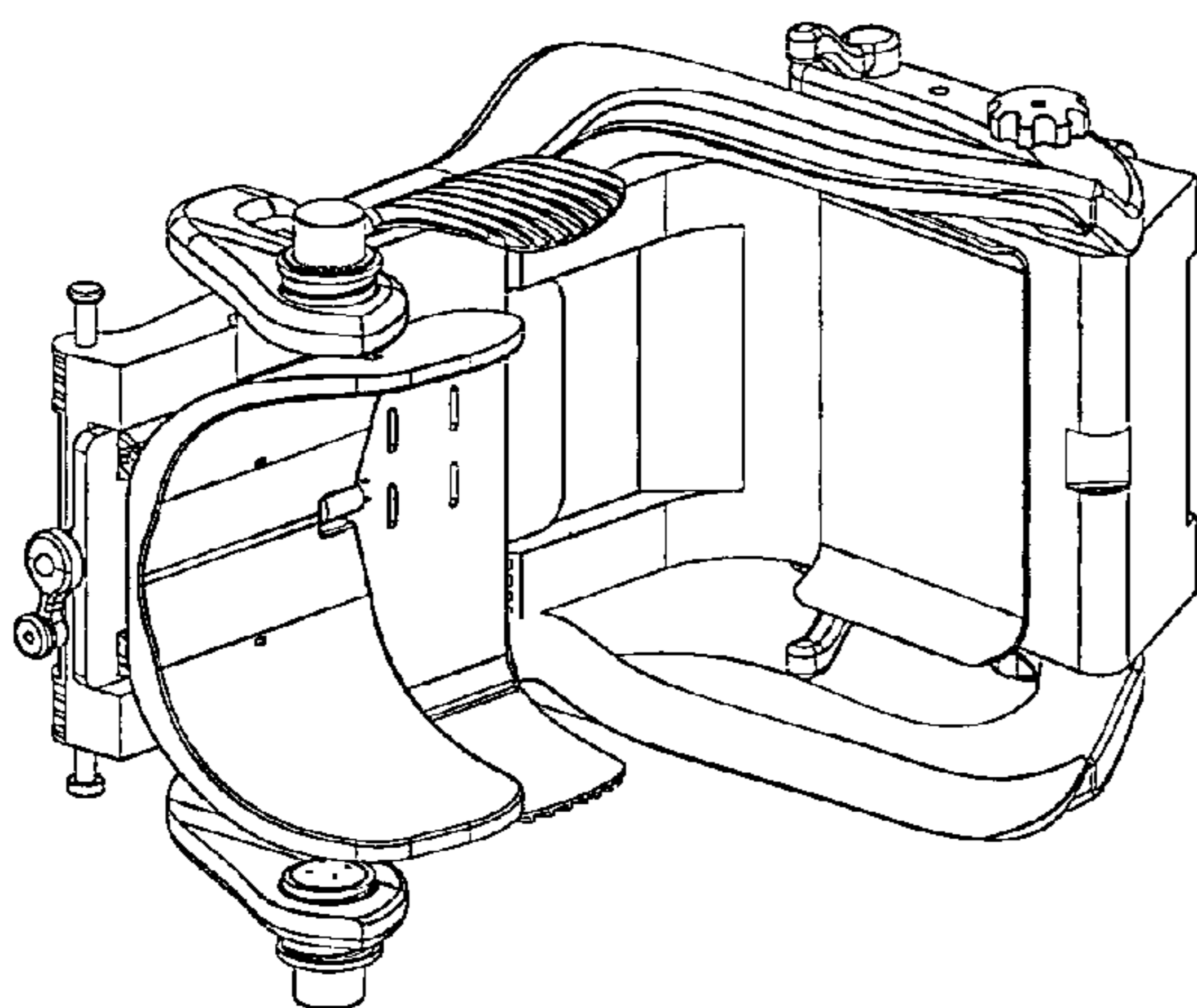


Fig 4

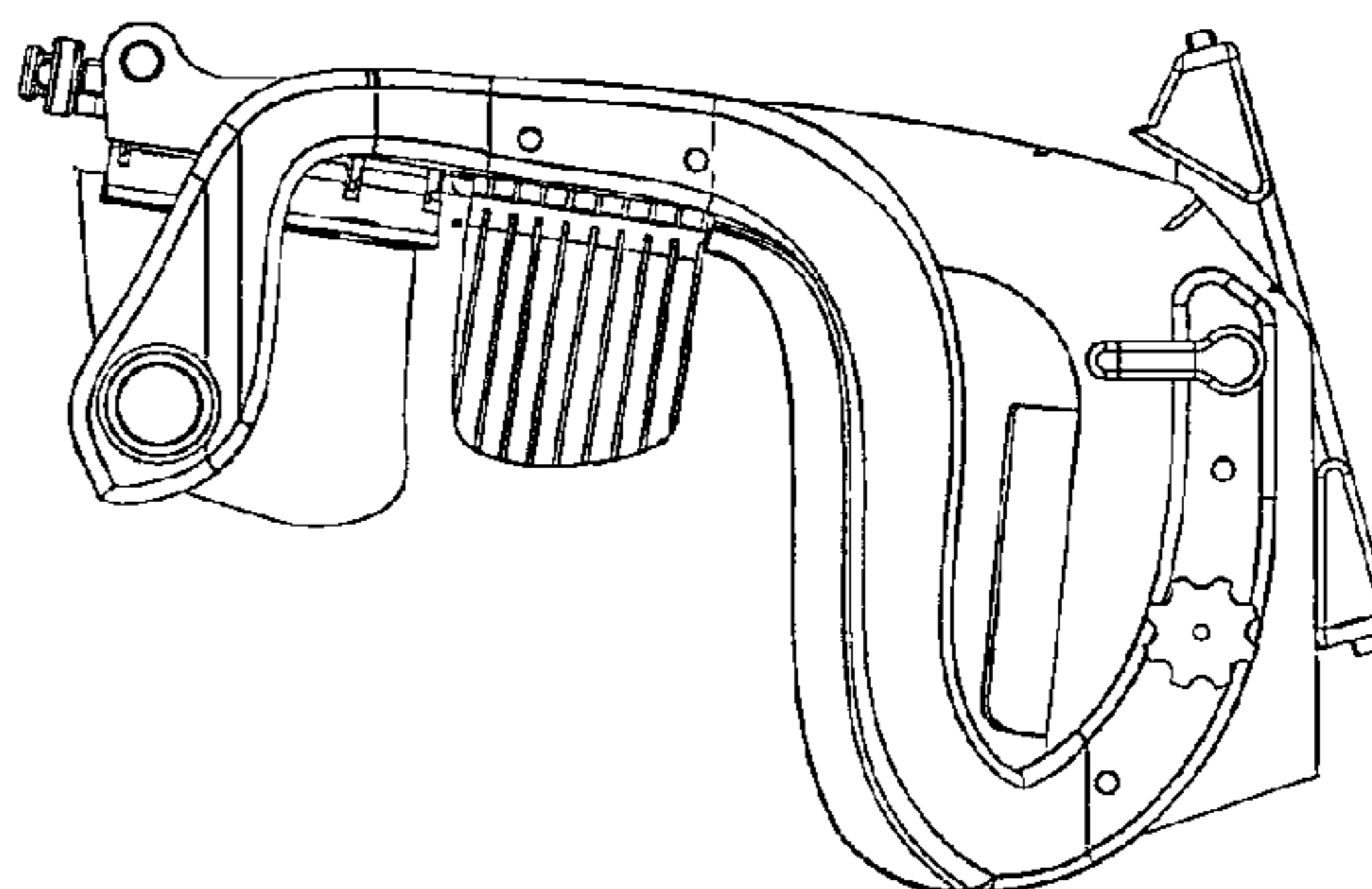


Fig 1

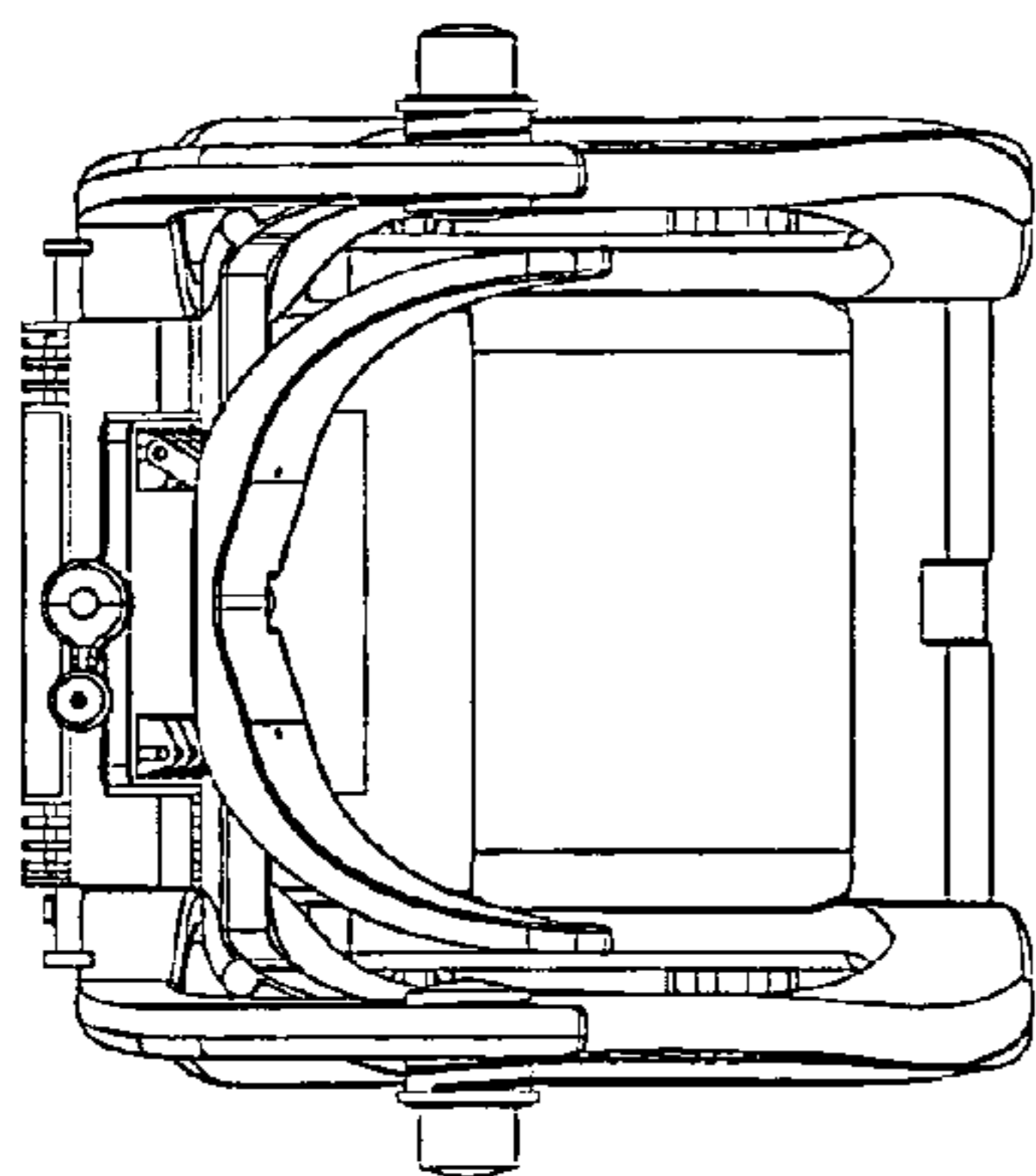


Fig 3

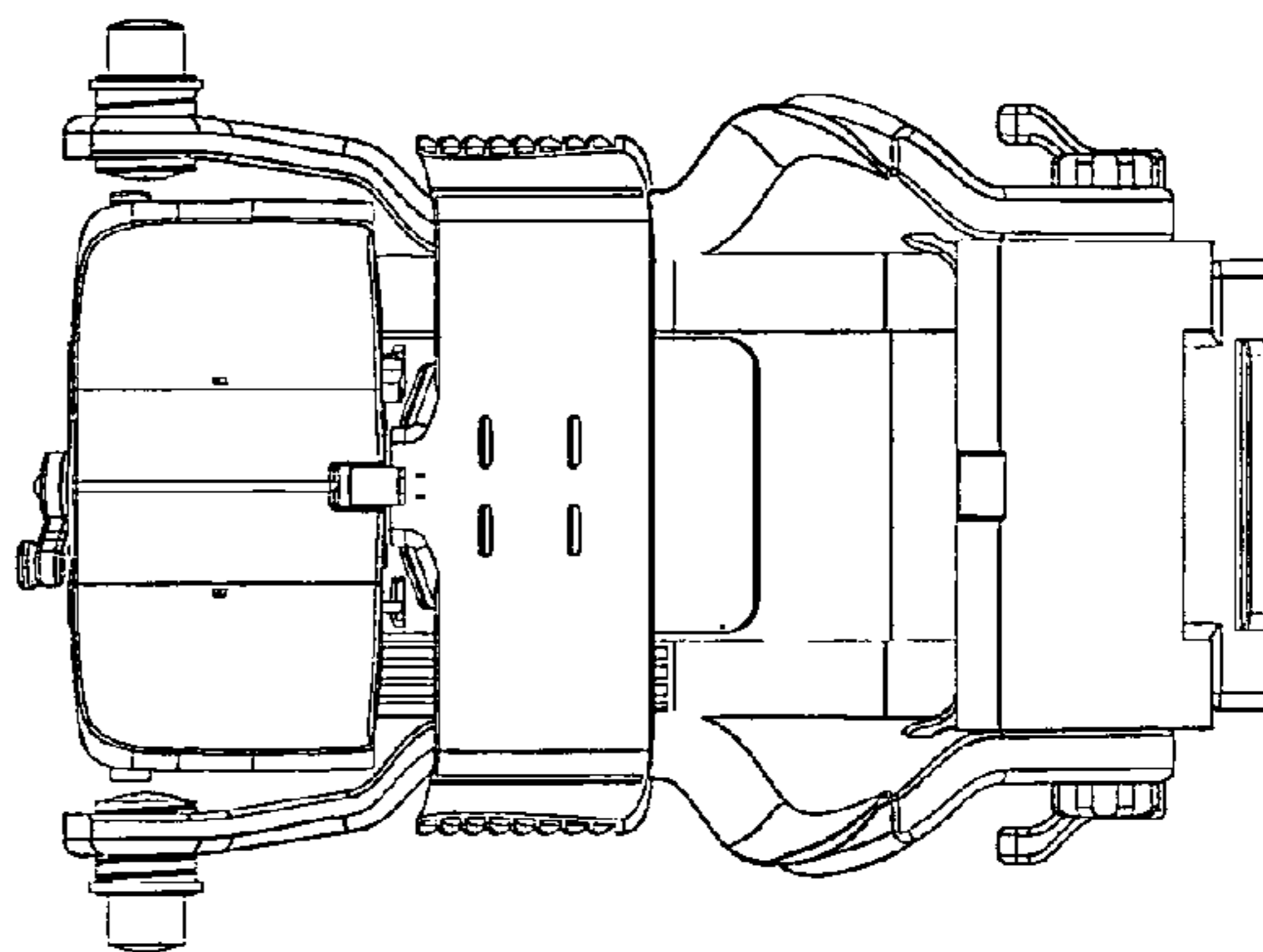


Fig 6

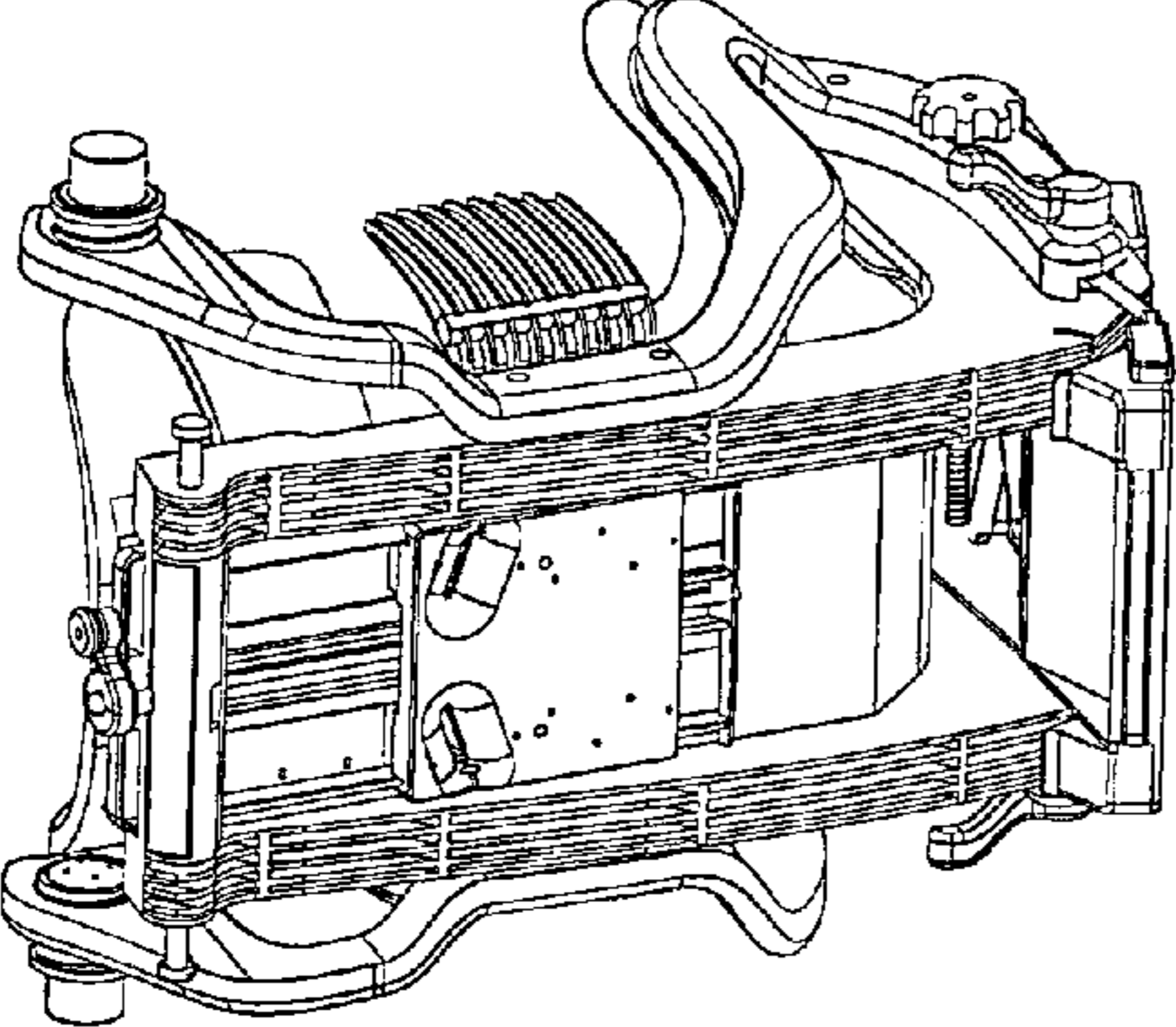


Fig 8

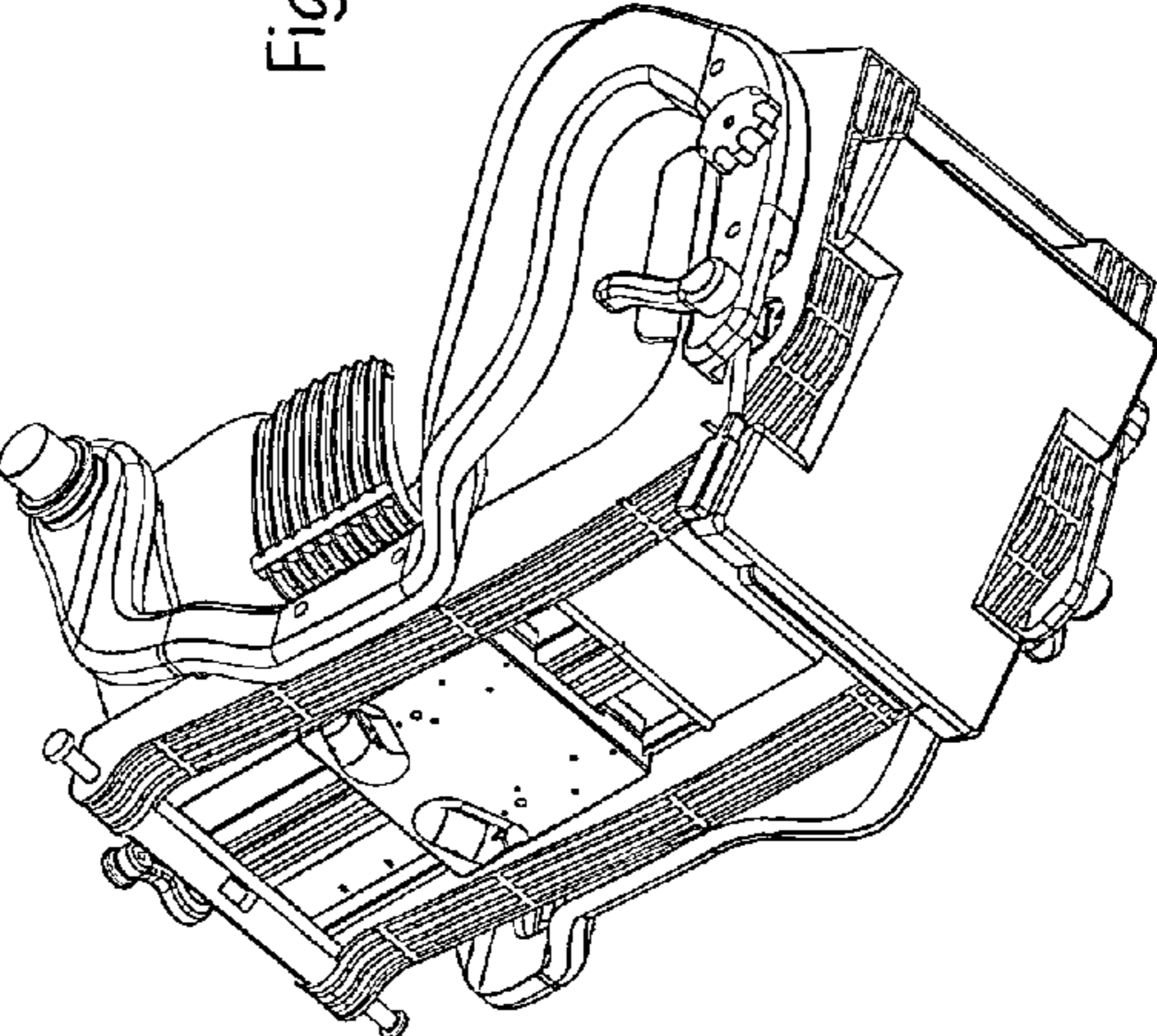


Fig 5

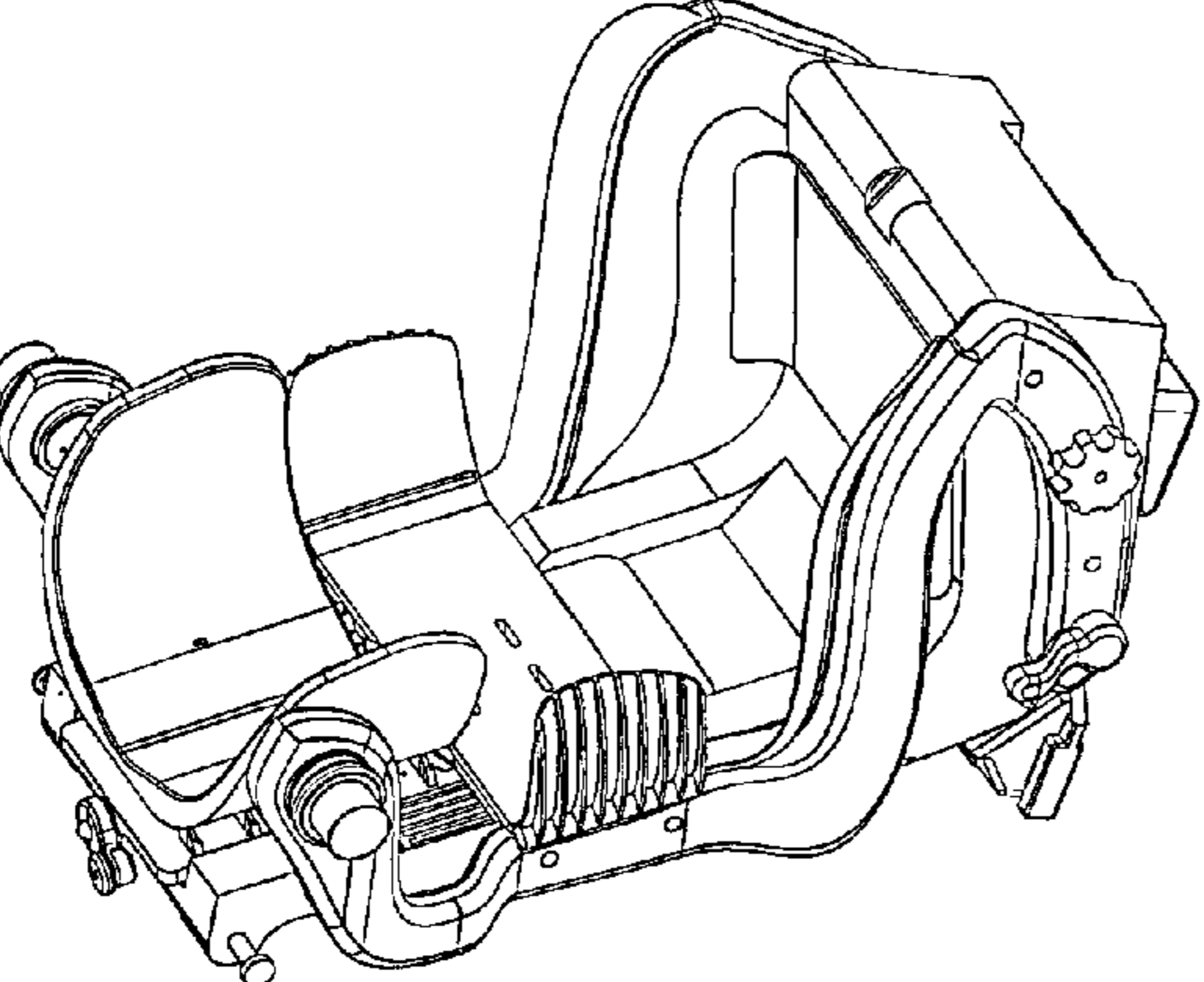


Fig 7

