



US00D741605S

(12) **United States Design Patent**
Witzel et al.

(10) **Patent No.:** **US D741,605 S**
(45) **Date of Patent:** **** Oct. 27, 2015**

(54) **BARBECUE GRILL CLEANER WITH BARRIER FLAP**

(71) Applicant: **ONWARD MULTI-CORP INC.**,
Waterloo (CA)

(72) Inventors: **Terence Witzel**, Waterloo (CA);
Benjamin Harrison, Waterloo (CA);
Christian Robinson, Kitchener (CA)

(73) Assignee: **Onward Multi-Corp Inc.**, Waterloo
(CA)

(**) Term: **14 Years**

(21) Appl. No.: **29/438,921**

(22) Filed: **Dec. 5, 2012**

Related U.S. Application Data

(63) Continuation of application No. 13/231,641, filed on
Sep. 13, 2011, now Pat. No. 8,516,644.

(51) **LOC (10) Cl.** **04-01**

(52) **U.S. Cl.**
USPC **D4/132**

(58) **Field of Classification Search**
USPC D4/118, 132-134, 116, 130; 15/111,
15/117, 159.1, 160, 248.1
CPC A46B 11/0093; A46B 15/0081; A46B
17/08; A46B 2200/00; A46B 2200/30; A46B
2200/3033; A46B 2200/3073; A46B
2200/3093; A47L 13/06; A47L 13/10-13/12;
A47L 13/34; A47L 13/48; A47L 17/00
See application file for complete search history.

(56) **References Cited**

U.S. PATENT DOCUMENTS

75,421 A 3/1868 Hayward
96,219 A 10/1869 Gibson
106,196 A 8/1870 Odell
109,946 A 12/1870 Rockwell et al.

939,522 A * 11/1909 Lockwood 15/248.1
D130,255 S * 11/1941 Racicot D4/134
3,196,473 A 7/1965 Bell
4,091,579 A 5/1978 Giangiulio
D307,077 S * 4/1990 Bryant D4/138

(Continued)

FOREIGN PATENT DOCUMENTS

GB 244602 A * 12/1925 A47L 23/14

OTHER PUBLICATIONS

Non-Final Rejection issued Nov. 2, 2012 in respect of parent U.S.
Appl. No. 13/231,641.

Primary Examiner — Melanie H Tung

Assistant Examiner — Lavone D Tabor

(74) *Attorney, Agent, or Firm* — Bareskin & Parr
LLP/S.E.N.C.R.L., s.r.l.

(57) **CLAIM**

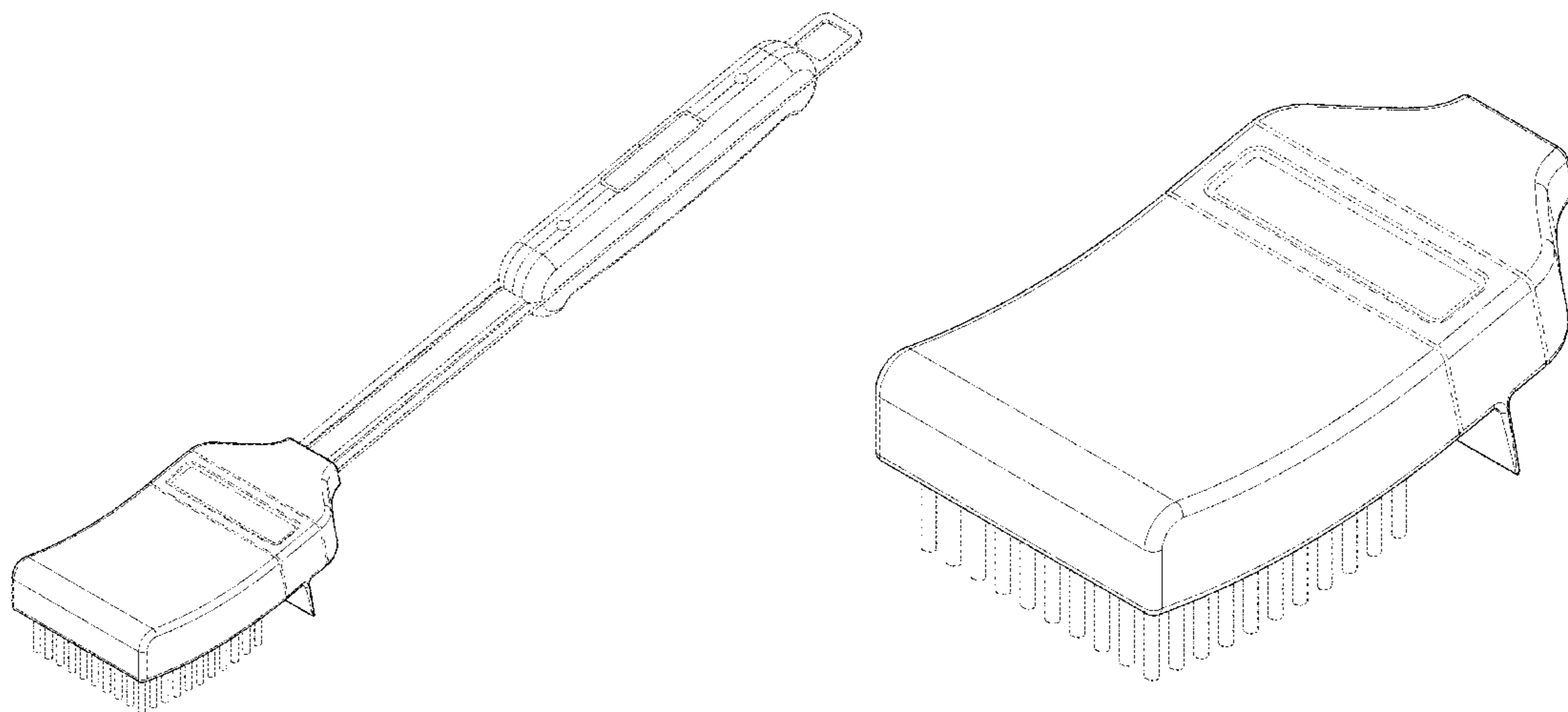
The ornamental design for a barbecue grill cleaner with barrier flap, as shown and described.

DESCRIPTION

FIG. 1 is a perspective view of a barbecue grill cleaner with barrier flap;
FIG. 2 is a side view of the barbecue grill cleaner with barrier flap of FIG. 1;
FIG. 3 is a top view of the barbecue grill cleaner with barrier flap of FIG. 1;
FIG. 4 is an end view of the barbecue grill cleaner with barrier flap of FIG. 1; and,
FIG. 5 is an enlarged view of a head of the barbecue grill cleaner with barrier flap of FIG. 1.

The dash-dot-dash broken lines represent the bounds of the claim and form no part thereof. The dashed broken lines showing the recess and grooves on the head, the bristles, and a handle illustrate portions of the barbecue grill cleaner with barrier flap that form no part of the claimed design.

1 Claim, 5 Drawing Sheets



US D741,605 S

Page 2

(56)

References Cited

U.S. PATENT DOCUMENTS

D337,660 S *	7/1993	Ricciarelli et al.	D4/138	6,463,619 B2	10/2002	Gavney, Jr.	
5,373,600 A	12/1994	Stojanovski et al.		D563,677 S *	3/2008	Zemel	D4/138
D456,614 S *	5/2002	Zemel	D4/134	D567,510 S	4/2008	Tuli	
				D653,037 S *	1/2012	Enders et al.	D4/116

* cited by examiner

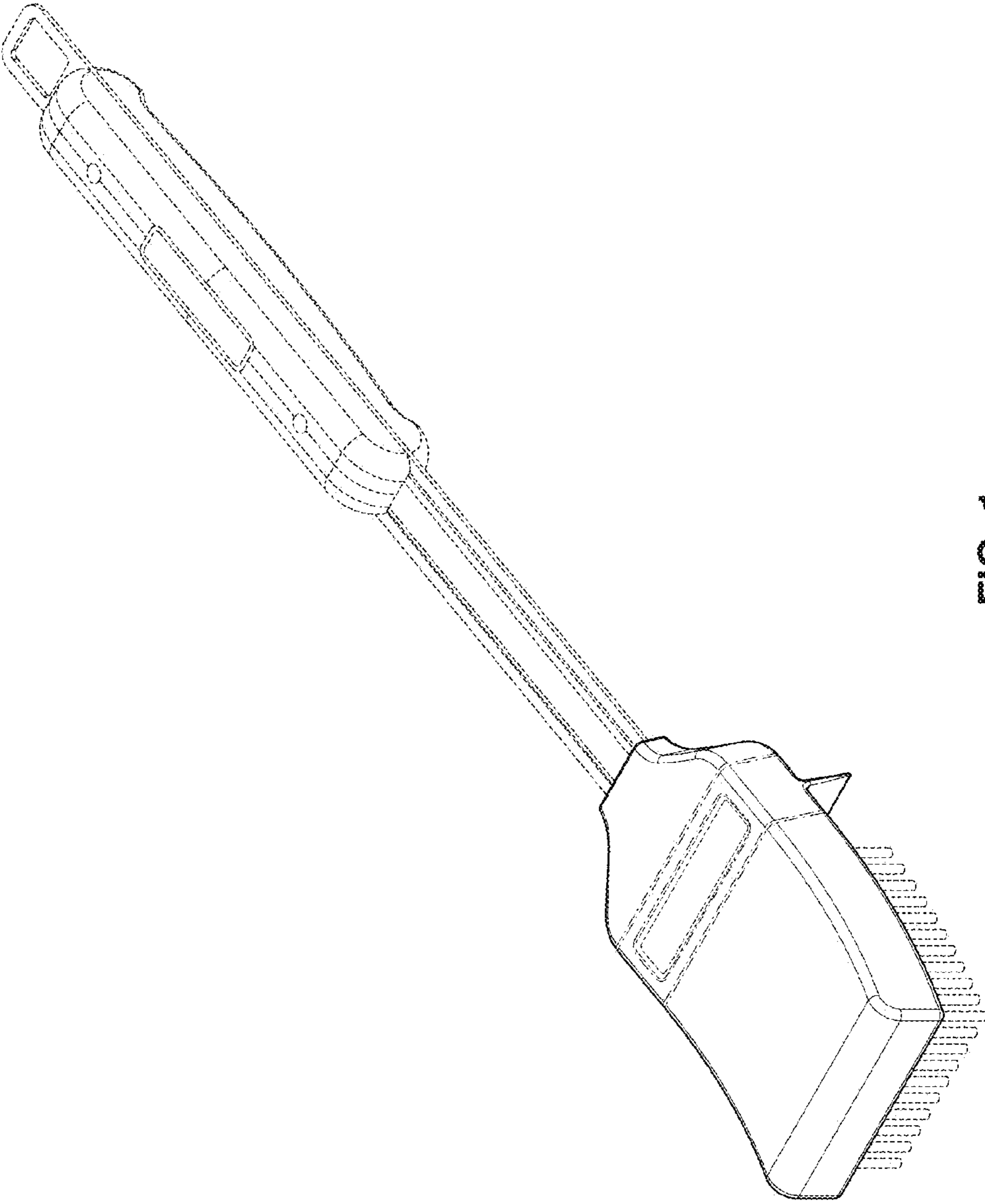


FIG. 1

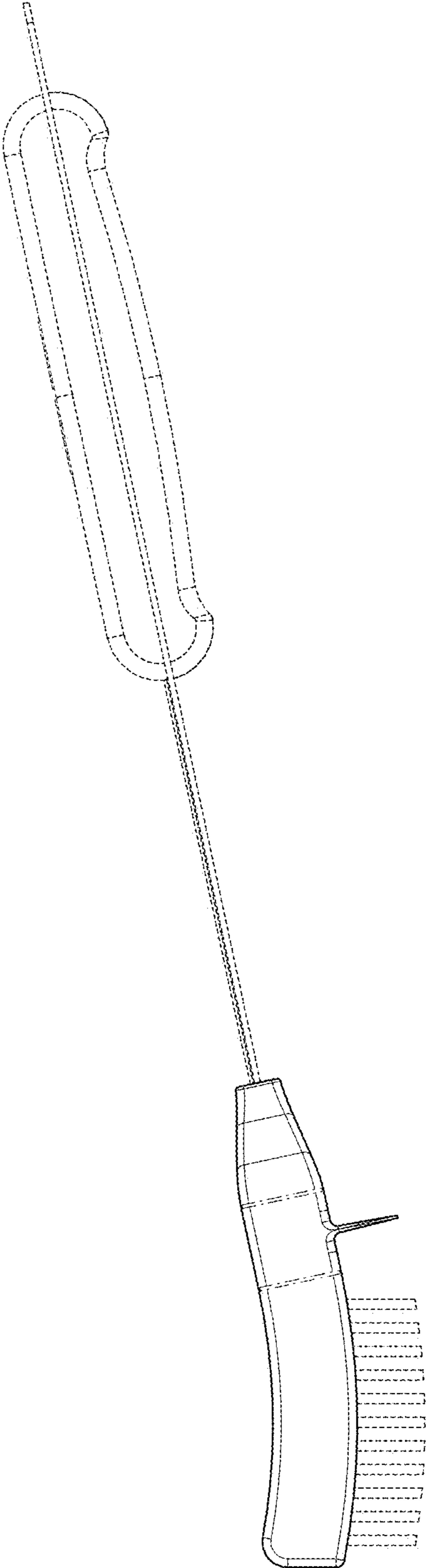


FIG. 2

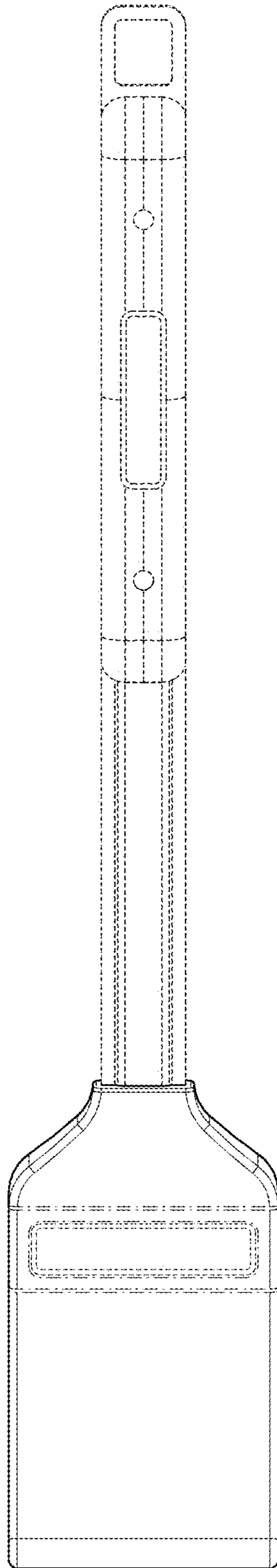


FIG. 3

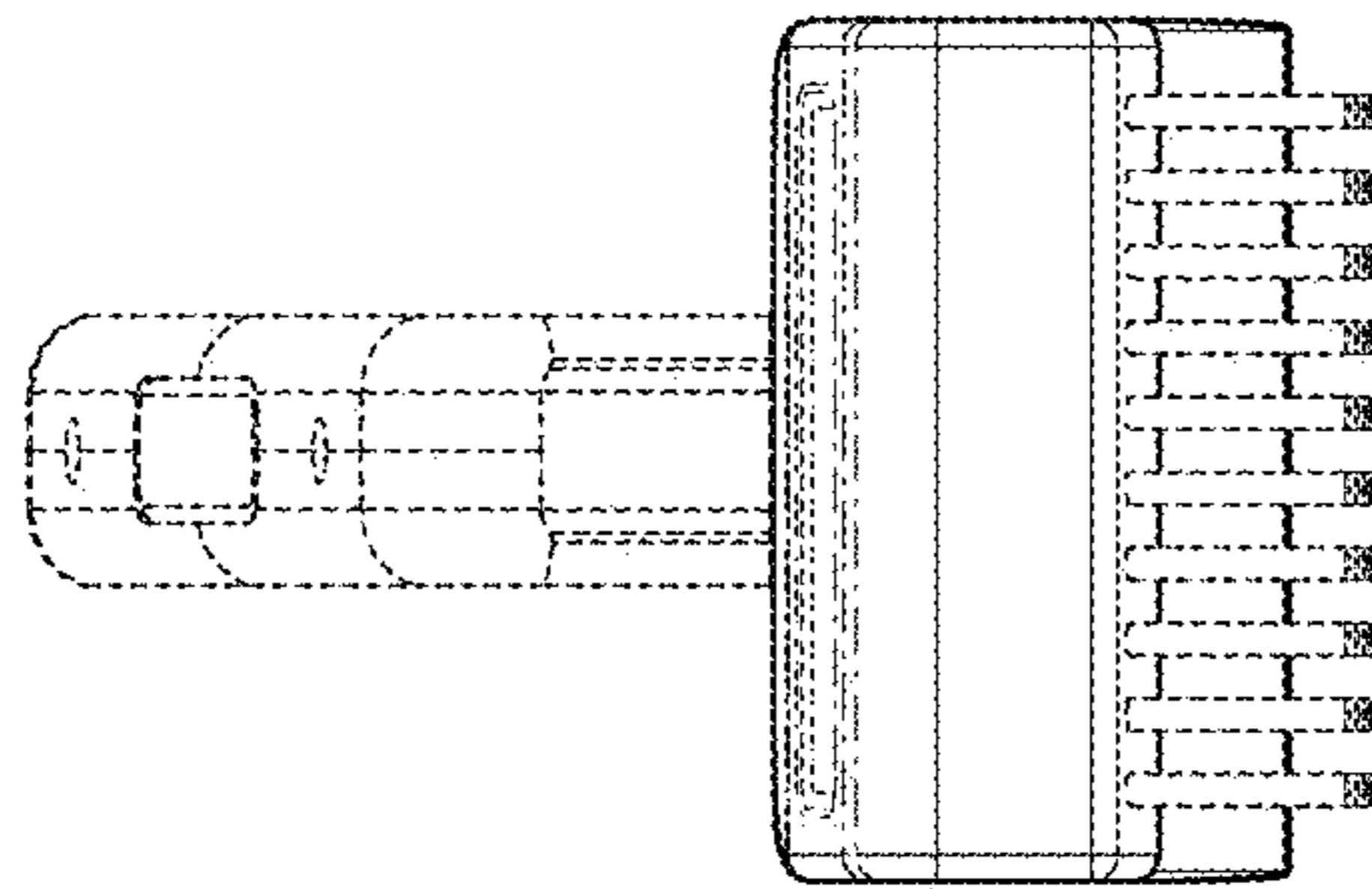


FIG. 4

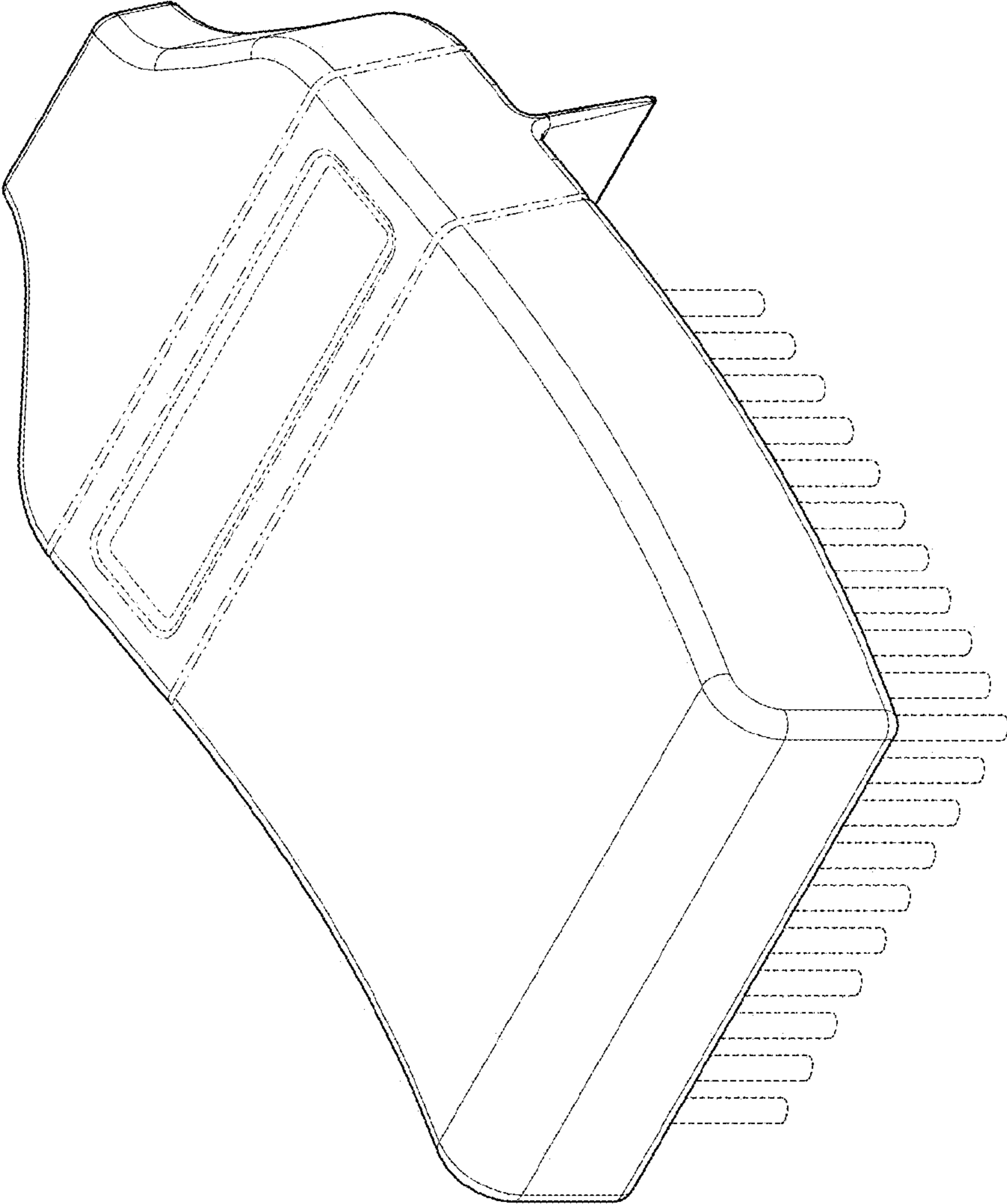


FIG. 5