



US00D741604S

(12) **United States Design Patent**  
**Typrowicz**

(10) **Patent No.:** **US D741,604 S**

(45) **Date of Patent:** **\*\* Oct. 27, 2015**

(54) **PAINT ROLLER WITH FLEXIBLE SHAFT**

(71) Applicant: **Thomas G Typrowicz**, Largo, FL (US)

(72) Inventor: **Thomas G Typrowicz**, Largo, FL (US)

(73) Assignee: **Work Tools International, Inc.**, Largo, FL (US)

(\*\*) Term: **14 Years**

(21) Appl. No.: **29/484,927**

(22) Filed: **Mar. 14, 2014**

(51) **LOC (10) Cl.** ..... **04-01**

(52) **U.S. Cl.**  
USPC ..... **D4/122**

(58) **Field of Classification Search**  
USPC ..... D4/122, 138; 15/27, 104.001, 104.002,  
15/230.11; 492/13, 16-19  
CPC ..... B05C 1/00; B05C 1/02; B05C 17/0205;  
B44D 2/00  
See application file for complete search history.

(56) **References Cited**

**U.S. PATENT DOCUMENTS**

2,320,078	A	5/1943	Harpooflian	
4,794,663	A	1/1989	Vosbikian	
D336,162	S *	6/1993	Miller	D4/122
D340,357	S *	10/1993	Krinke	D4/122
5,339,484	A	8/1994	Polzin et al.	
5,386,611	A	2/1995	Kim	
D360,987	S *	8/1995	Sorenson	D4/122
5,970,568	A *	10/1999	Mulcahy, Sr.	B05C 17/0232 15/230.11
D423,789	S *	5/2000	Saji	D4/122
6,145,151	A	11/2000	Herron et al.	
D439,416	S *	3/2001	Weiss	D4/122
6,324,717	B1	12/2001	Sekar	
D484,703	S *	1/2004	Kim	D4/122
D497,451	S *	10/2004	Hajianpour	D28/7
D521,245	S *	5/2006	Inch	D4/122
D574,153	S *	8/2008	Dehart	D4/122

D578,769	S *	10/2008	Patterson	D4/122
D584,059	S *	1/2009	Arvinte	D4/122
D603,609	S *	11/2009	Reed	D4/122
D630,856	S *	1/2011	Arvinte	D4/122
D656,737	S *	4/2012	Crawley	D4/122
D671,749	S *	12/2012	Brown	D4/122

(Continued)

**FOREIGN PATENT DOCUMENTS**

BE	835422	A2	3/1976
DE	4208579		9/1993

(Continued)

**OTHER PUBLICATIONS**

Unknown; (in Capital Letters), Premium Height Reacher; webpage; Mar. 14, 2014.

*Primary Examiner* — Austin Murphy

(74) *Attorney, Agent, or Firm* — Larson & Larson, P.A.; Justin P. Miller; Patrick A. Reid

(57) **CLAIM**

I claim the ornamental design for a paint roller with flexible shaft, as shown and described.

**DESCRIPTION**

FIG. 1 is a perspective view of a paint roller with flexible shaft showing my new design;

FIG. 2 is a top plan view thereof;

FIG. 3 is a bottom plan view thereof;

FIG. 4 is a front elevation view thereof;

FIG. 5 is a back elevation thereof;

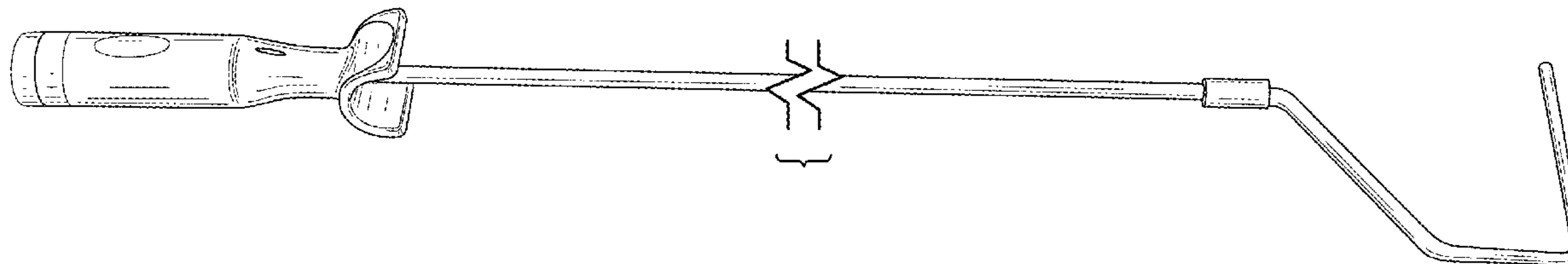
FIG. 6 is a right-side elevation view thereof; and,

FIG. 7 is a left-side elevation view thereof.

The depth of the penetration shown in FIG. 3 is unclaimed and forms no part of the claimed design.

The separation and bracket in FIGS. 1, 4, 5, 6, and 7 indicate that the precise length of the paint roller with flexible shaft does not form part of the claimed design.

**1 Claim, 4 Drawing Sheets**



(56)

**References Cited**

U.S. PATENT DOCUMENTS

D677,901 S \* 3/2013 Boukair ..... D4/122  
D677,903 S \* 3/2013 Boukair ..... D4/122  
D695,018 S \* 12/2013 Gallardo ..... D4/122  
D700,784 S \* 3/2014 Arvinte ..... D4/122  
8,819,885 B1 \* 9/2014 Boukair ..... B05C 17/0205  
15/143.1  
8,819,886 B1 \* 9/2014 Boukair ..... B05C 17/0205  
15/143.1

D728,945 S \* 5/2015 Neal ..... D4/122  
2003/0110584 A1 6/2003 Clare et al.  
2005/0015910 A1 1/2005 Jordan et al.

FOREIGN PATENT DOCUMENTS

EP 1491263 A1 12/2004  
GB 2286114 A 8/1995

\* cited by examiner

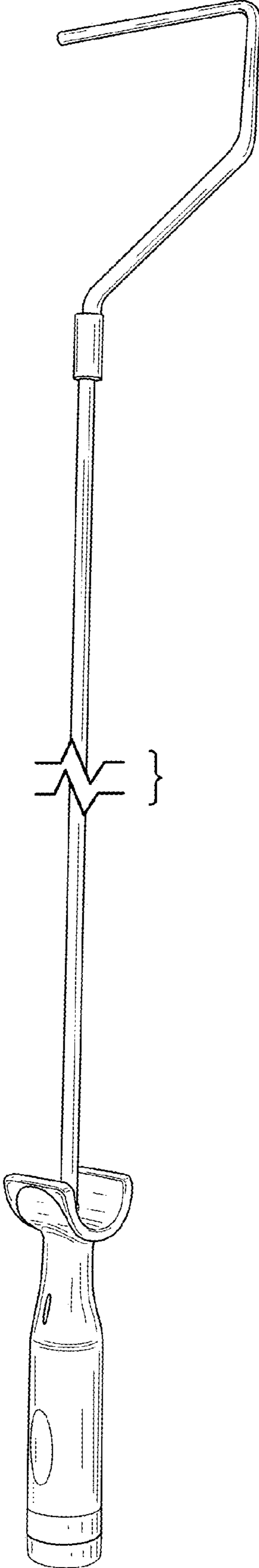
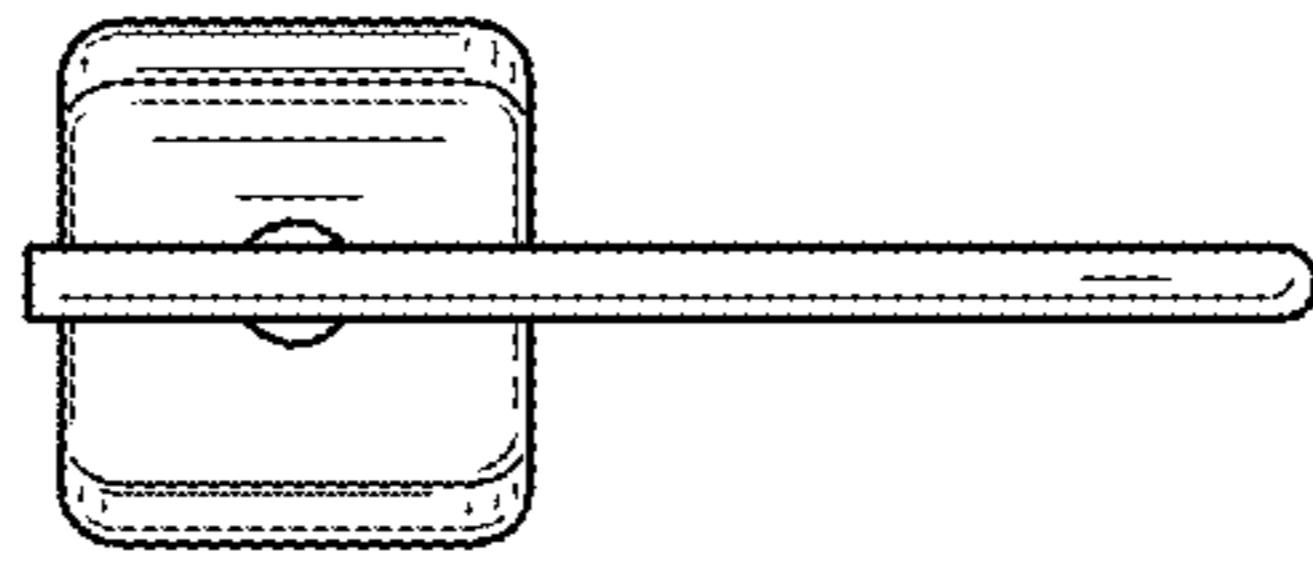
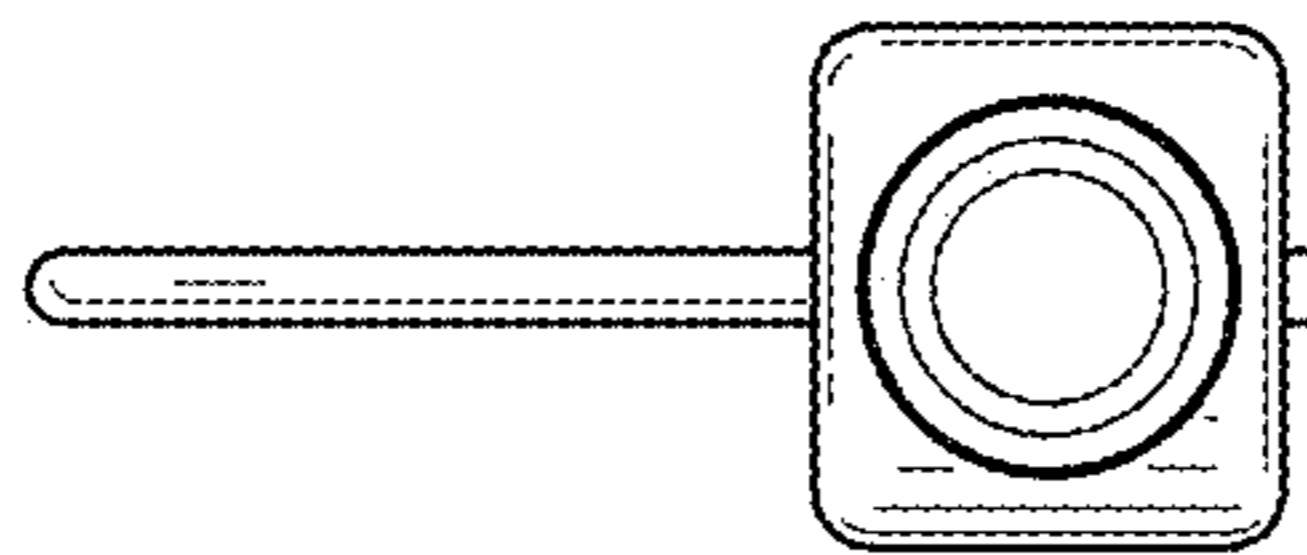


FIG. 7



**FIG. 2**



**FIG. 3**

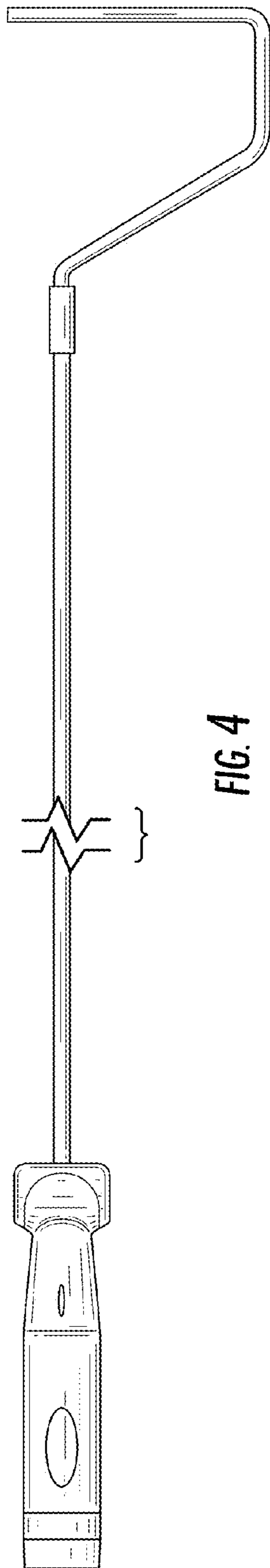


FIG. 4

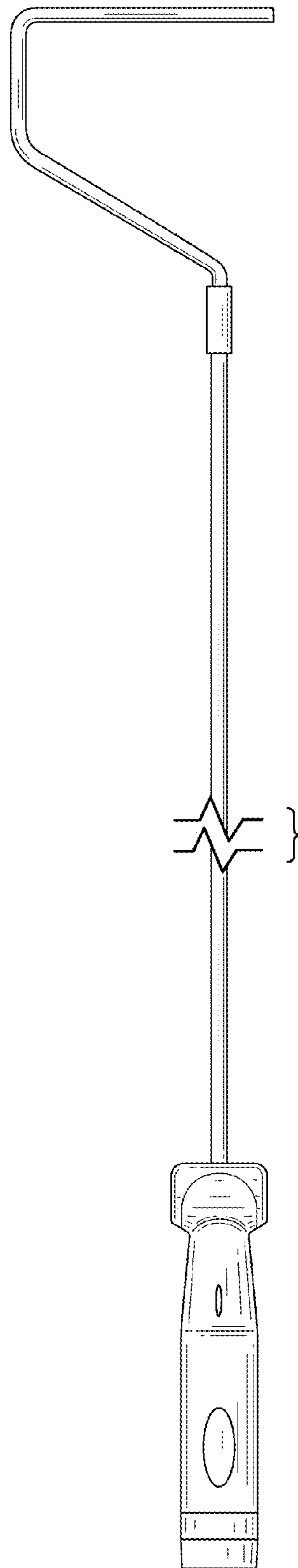


FIG. 5

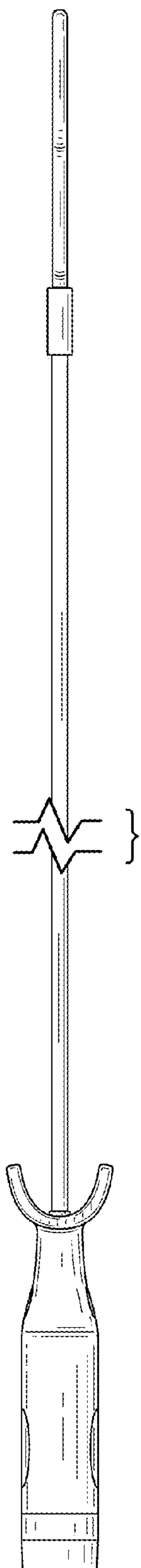


FIG. 6

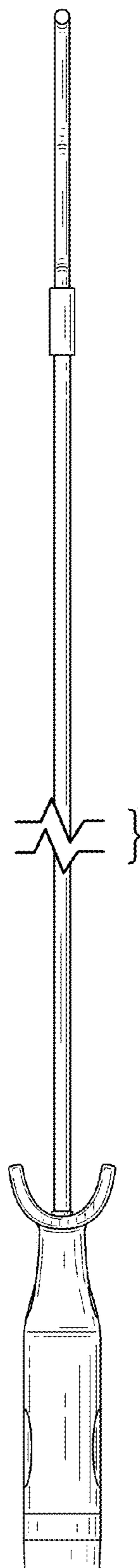


FIG. 7