



US00D741599S

(12) **United States Design Patent**
Parker

(10) **Patent No.:** **US D741,599 S**
(45) **Date of Patent:** **** Oct. 27, 2015**

(54) **LUGGAGE WHEEL HOUSING WITH A WHEEL**

(71) Applicant: **Samsonite IP Holdings S.ar.l.**,
Luxembourg (LU)

(72) Inventor: **Garrett K. W. Parker**, Berkley, MA
(US)

(73) Assignee: **Samsonite IP Holdings S.a.r.l.**,
Luxembourg (LU)

(**) Term: **14 Years**

(21) Appl. No.: **29/511,864**

(22) Filed: **Dec. 15, 2014**

Related U.S. Application Data

(62) Division of application No. 29/440,204, filed on Dec. 19, 2012, now Pat. No. Des. 721,497.

(51) **LOC (10) Cl.** **01-03**

(52) **U.S. Cl.**
USPC **D3/318; D8/375**

(58) **Field of Classification Search**
USPC D3/318; D8/375
CPC B60B 33/00
See application file for complete search history.

(56) **References Cited**

U.S. PATENT DOCUMENTS

4,084,288	A	4/1978	Black
D359,676	S	6/1995	Liang
5,634,538	A	6/1997	Tsai
D421,338	S	3/2000	Moon
D433,088	S	10/2000	Galy
D434,904	S	12/2000	Huang
6,193,324	B1	2/2001	Chang
D438,382	S	3/2001	Chang
D439,410	S	3/2001	Chang
6,256,835	B1	7/2001	Wang

D448,278	S	9/2001	Chi
D448,826	S	10/2001	Galy
6,322,156	B1	11/2001	Kuo
6,354,412	B1	3/2002	Kuo
D470,748	S	2/2003	Tsai
D473,379	S	4/2003	Moon
D481,931	S	11/2003	Chi
D482,265	S	11/2003	Wicha
D484,028	S	12/2003	Moon
D487,348	S	3/2004	Fenton et al.
D491,365	S	6/2004	Proot
D492,894	S	7/2004	Cheng
D496,259	S	9/2004	Cheng
D505,316	S	5/2005	Topel

(Continued)

Primary Examiner — Holly Baynham

(74) *Attorney, Agent, or Firm* — Dorsey & Whitney LLP

(57) **CLAIM**

The ornamental design for a luggage wheel housing with a wheel, as shown and described.

DESCRIPTION

FIG. 1 shows a front perspective view of a luggage wheel housing with a wheel;

FIG. 2 shows a front elevation view of the luggage wheel housing of FIG. 1;

FIG. 3 shows a right elevation view of the luggage wheel housing of FIG. 1;

FIG. 4 shows a rear elevation view of the luggage wheel housing of FIG. 1;

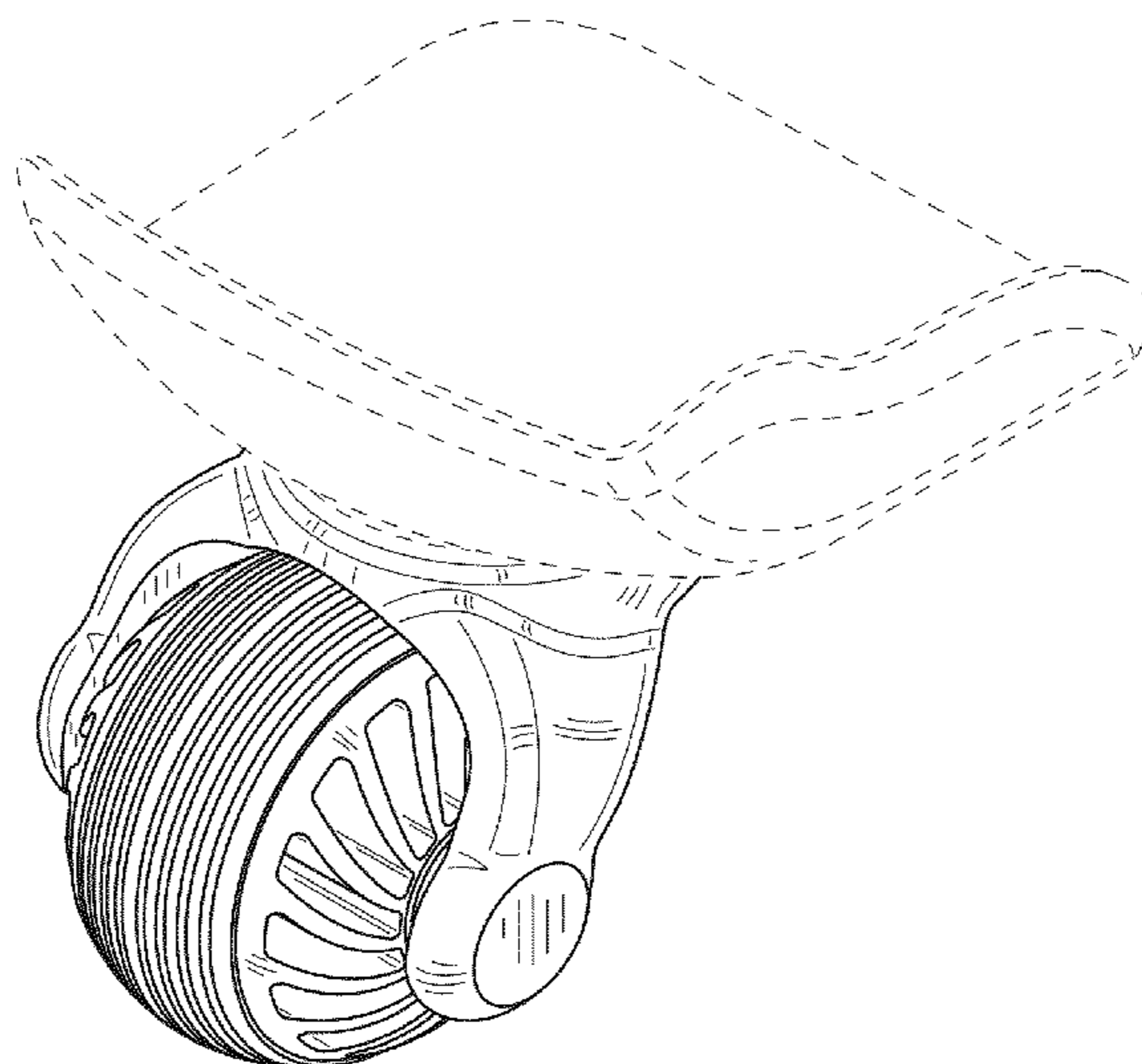
FIG. 5 shows a left elevation view of the luggage wheel housing of FIG. 1;

FIG. 6 shows a top view of the luggage wheel housing of FIG. 1; and,

FIG. 7 shows a bottom view of the luggage wheel housing of FIG. 1.

The broken lines showing the yoke of the luggage wheel are for the purposes of illustrating environment and form no part of the claimed design.

1 Claim, 5 Drawing Sheets



(56)

References Cited

U.S. PATENT DOCUMENTS

D513,560 S	1/2006	Neumann	7,506,404 B2	3/2009	Block et al.	
D525,033 S	7/2006	Neumann	D592,490 S	5/2009	Frame	
D539,543 S	4/2007	Wu	D603,163 S	11/2009	Van Himbeeck	
D541,048 S	4/2007	Moon	7,832,533 B2	11/2010	Selvi	
D550,950 S	9/2007	Vanderminden	D633,299 S	3/2011	Moon	
D557,900 S	12/2007	Sijmons	8,020,679 B2	9/2011	Wu	
D575,512 S	8/2008	Moon	D659,395 S	5/2012	Sijmons	
D575,957 S	9/2008	Sciicluna et al.	D703,442 S	4/2014	Parker	
D576,407 S	9/2008	Moon	D718,938 S *	12/2014	Parker	D3/318
7,437,801 B2	10/2008	Dahl	D721,497 S	1/2015	Parker	
D581,161 S	11/2008	Tong	D721,501 S	1/2015	Parker	
D582,160 S	12/2008	Sijmons	D732,293 S *	6/2015	Parker et al.	D3/318
D582,678 S	12/2008	Rekuc	2010/0230223 A1	9/2010	Wu	
			2014/0041978 A1	2/2014	Chang	
			2014/0110204 A1	4/2014	Wu	

* cited by examiner

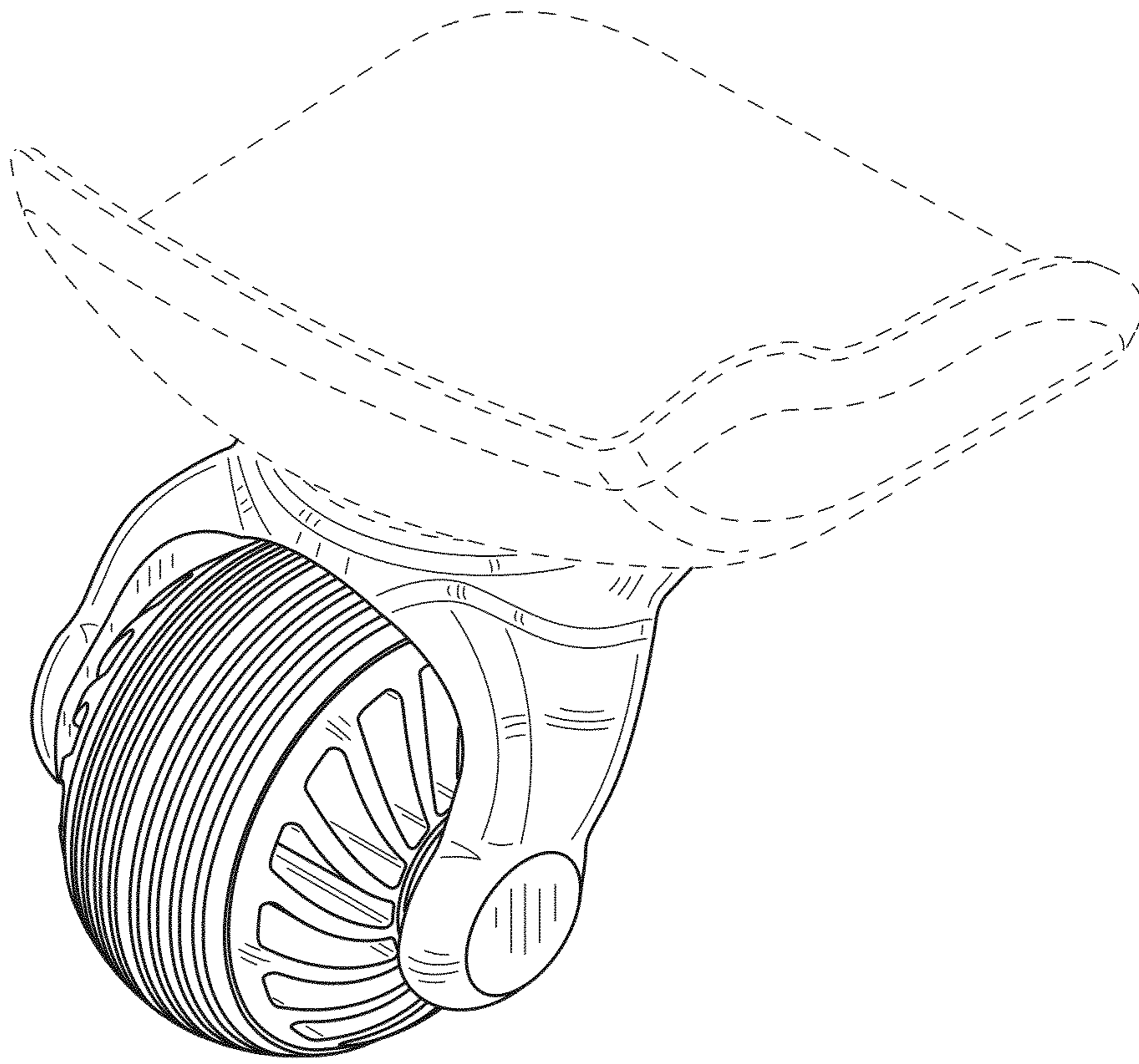


FIG. 1

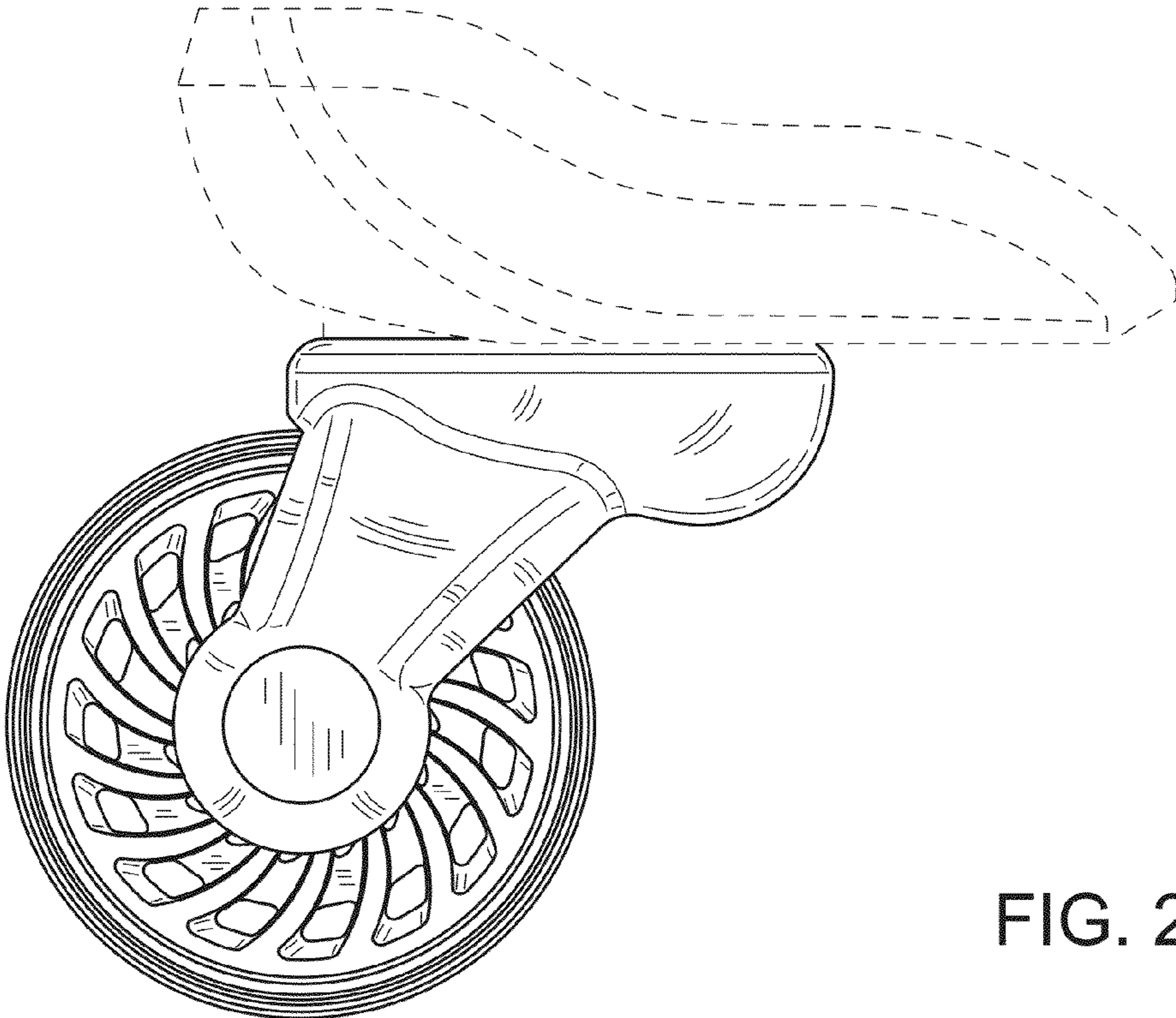


FIG. 2

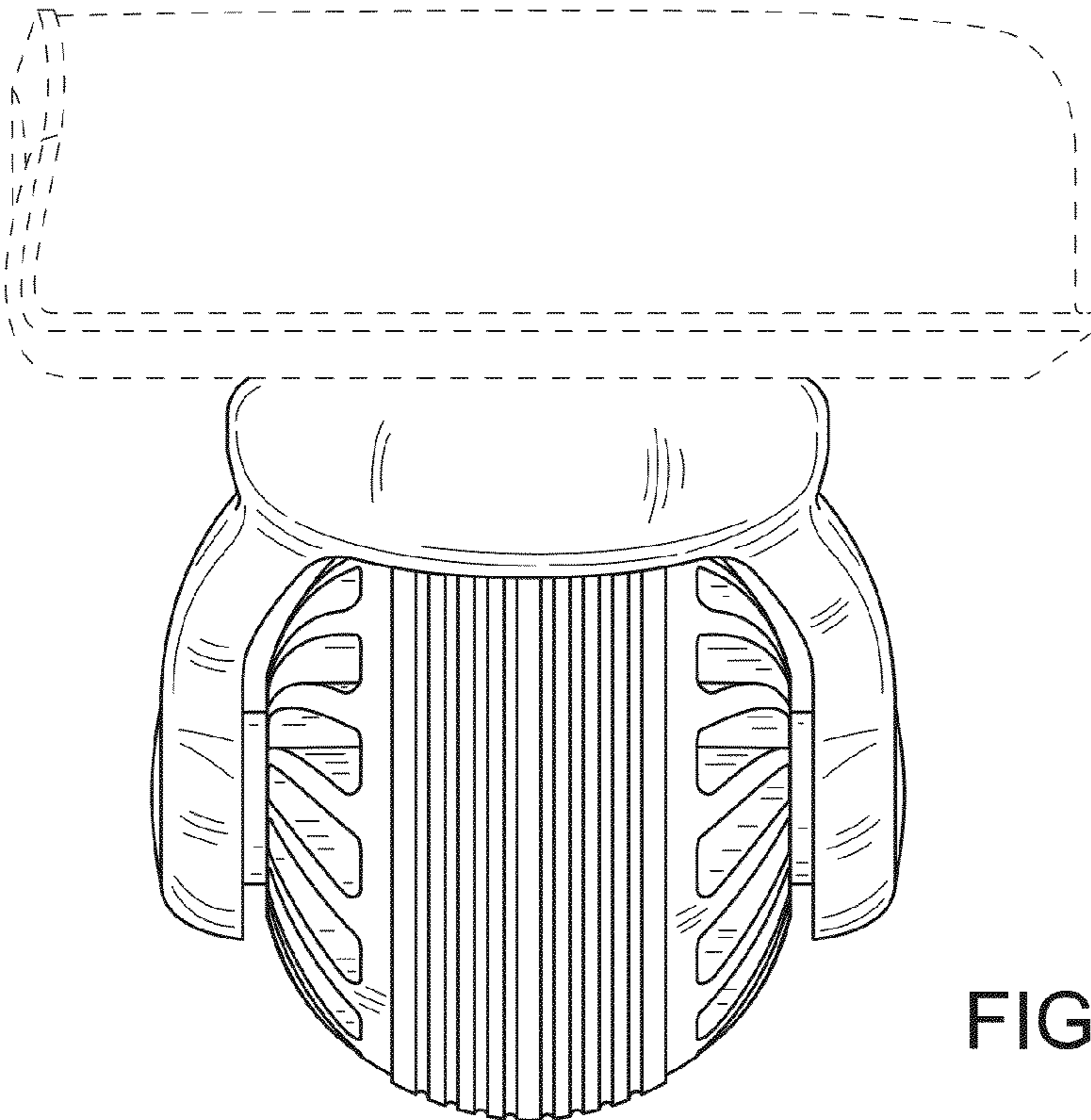


FIG. 3

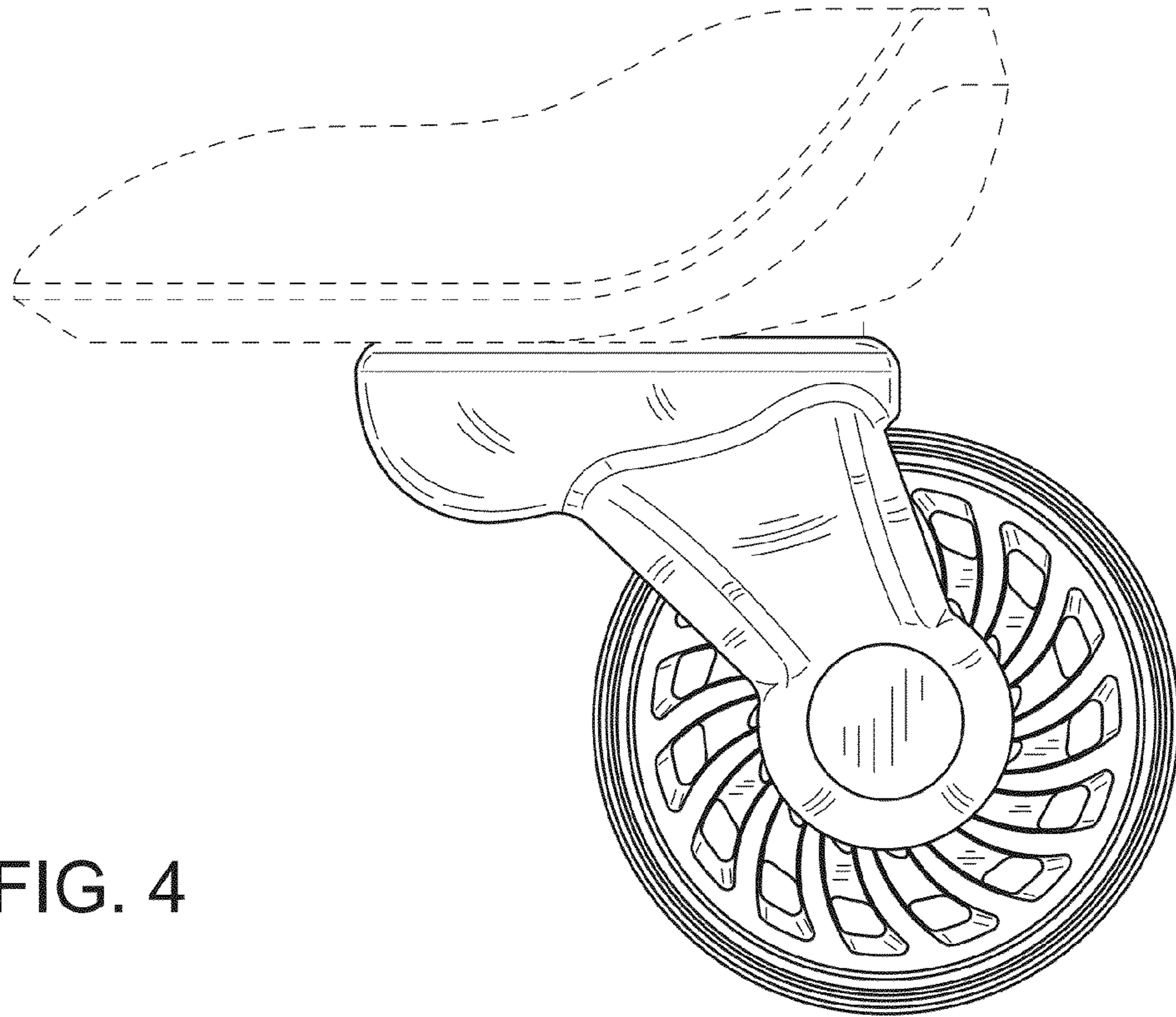


FIG. 4

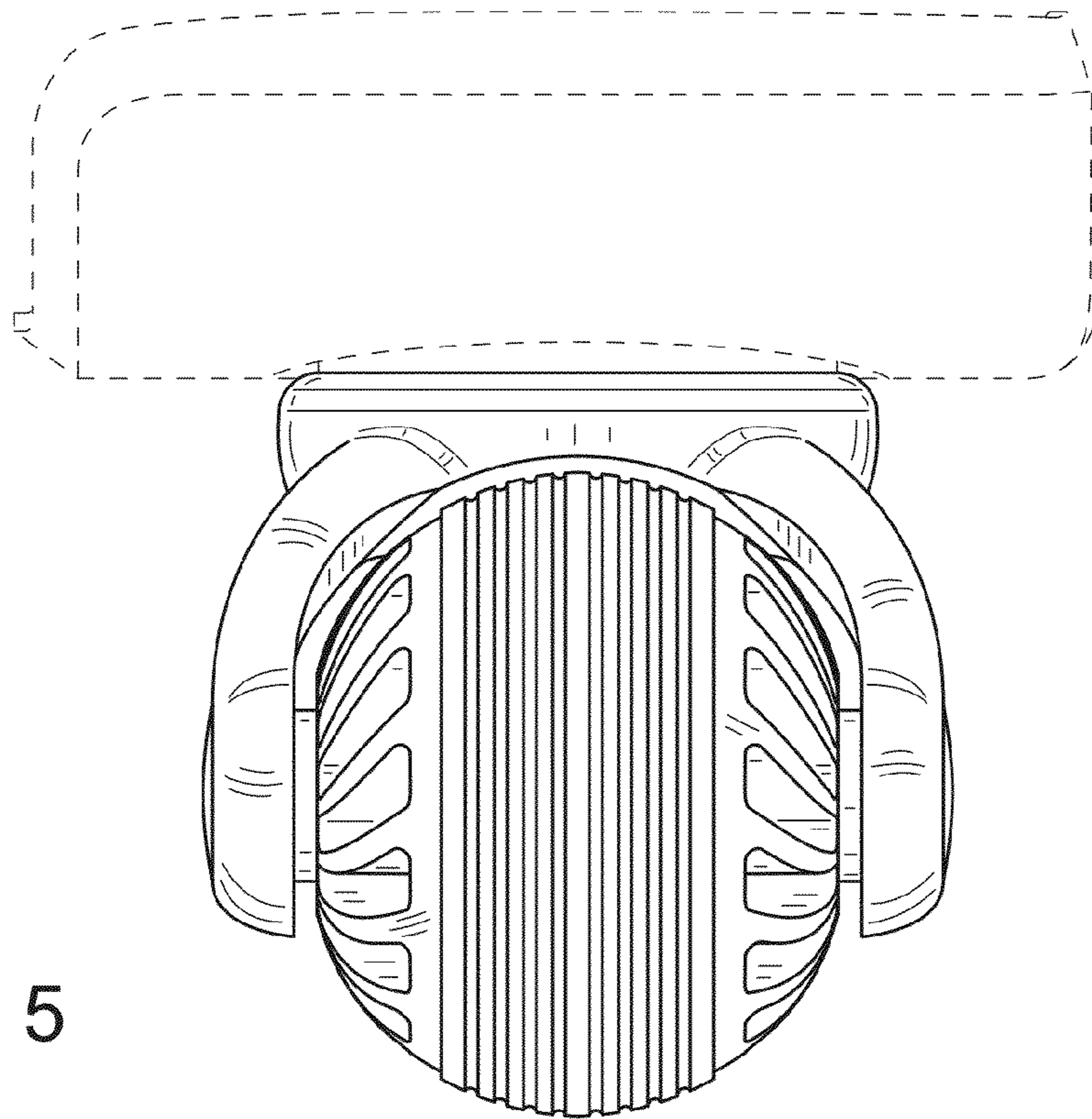


FIG. 5

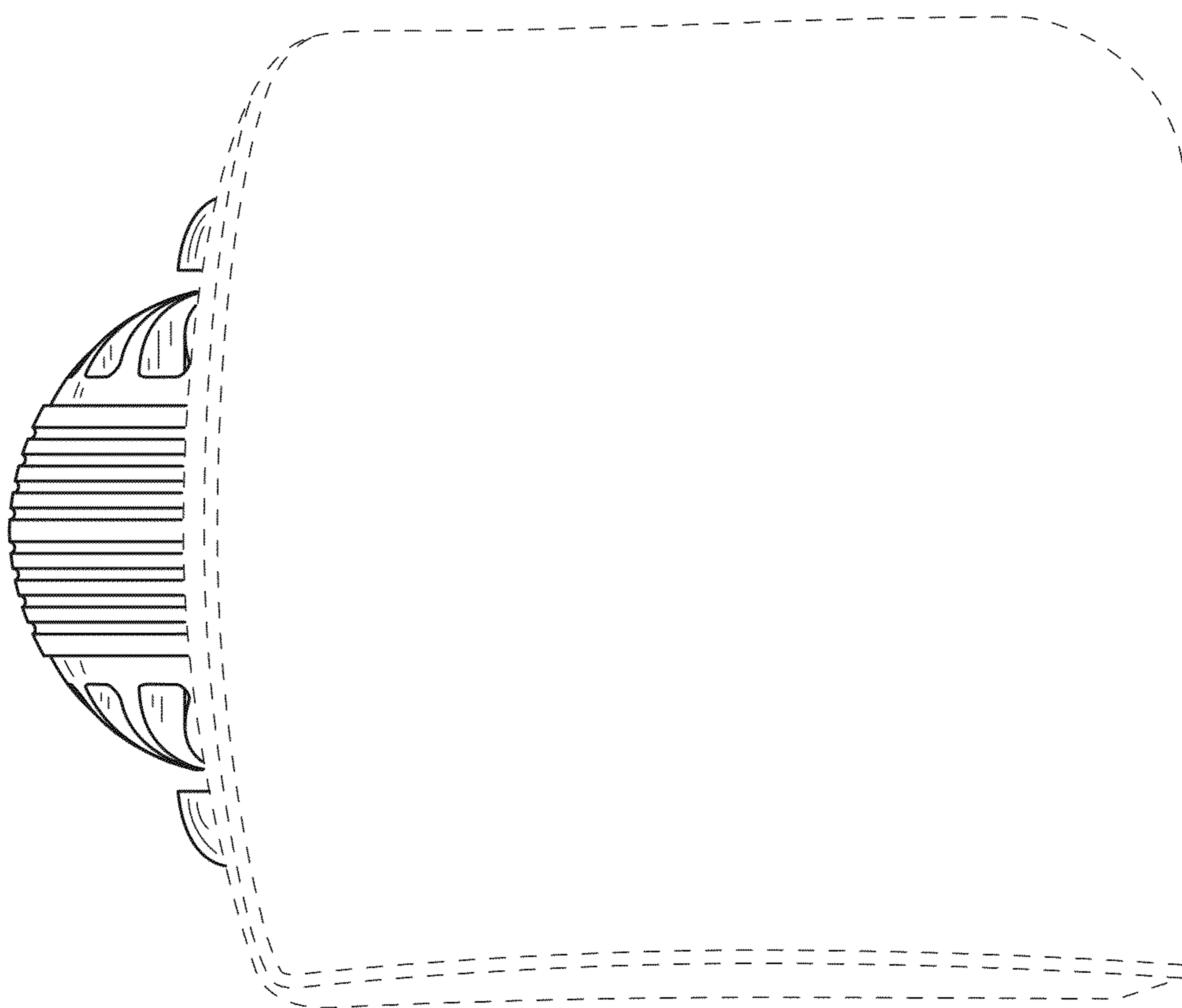


FIG. 6

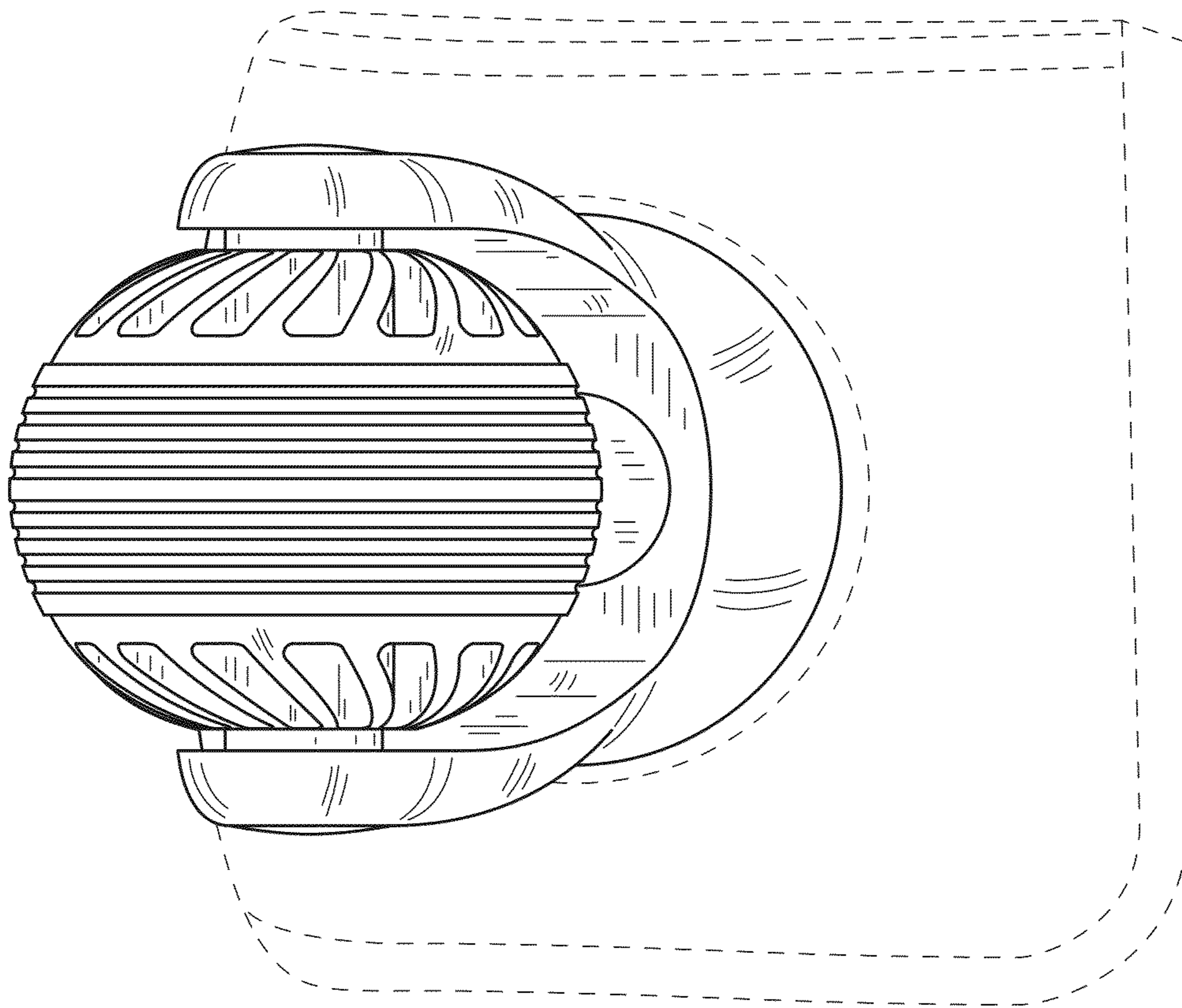


FIG. 7