



US00D741597S

(12) **United States Design Patent**  
**Minneman**

(10) **Patent No.:** **US D741,597 S**  
(45) **Date of Patent:** **\*\* Oct. 27, 2015**

- (54) **AMMUNITION STORAGE CONTAINER**
- (71) Applicant: **Steven W. Minneman**, Clayton, OH (US)
- (72) Inventor: **Steven W. Minneman**, Clayton, OH (US)
- (73) Assignee: **MTM Molded Products Company**, Dayton, OH (US)

- 4,183,206 A 1/1980 Porsche et al.
- 4,363,147 A 12/1982 Deweese
- 4,387,805 A 6/1983 Lanius
- D269,648 S 7/1983 Wilcox et al.
- 4,395,828 A 8/1983 Juhas
- D271,444 S 11/1983 LeVine
- D300,183 S 3/1989 Minneman
- 4,811,836 A 3/1989 Minneman
- D314,273 S 2/1991 Minneman
- D329,747 S 9/1992 Embree
- D334,662 S 4/1993 van Berne

(\*\*) Term: **14 Years**

(Continued)

(21) Appl. No.: **29/504,914**

**OTHER PUBLICATIONS**

(22) Filed: **Oct. 10, 2014**

Survivor Dry Boxes. Downloaded Mar. 15, 2010 at <http://www.mtmcase-gard.com/products/camping/dry-boxes-s1072.html>.

(51) **LOC (10) Cl.** ..... **03-01**

(Continued)

(52) **U.S. Cl.**  
USPC ..... **D3/262**

(58) **Field of Classification Search**  
USPC ..... D3/262  
CPC ..... B65D 85/28; B65D 25/28; B65D 43/02;  
B65D 43/08

*Primary Examiner* — Holly Baynham  
(74) *Attorney, Agent, or Firm* — Jacox, Meckstroth & Jenkins

See application file for complete search history.

(57) **CLAIM**  
The ornamental design for an ammunition storage container, as shown and described.

(56) **References Cited**

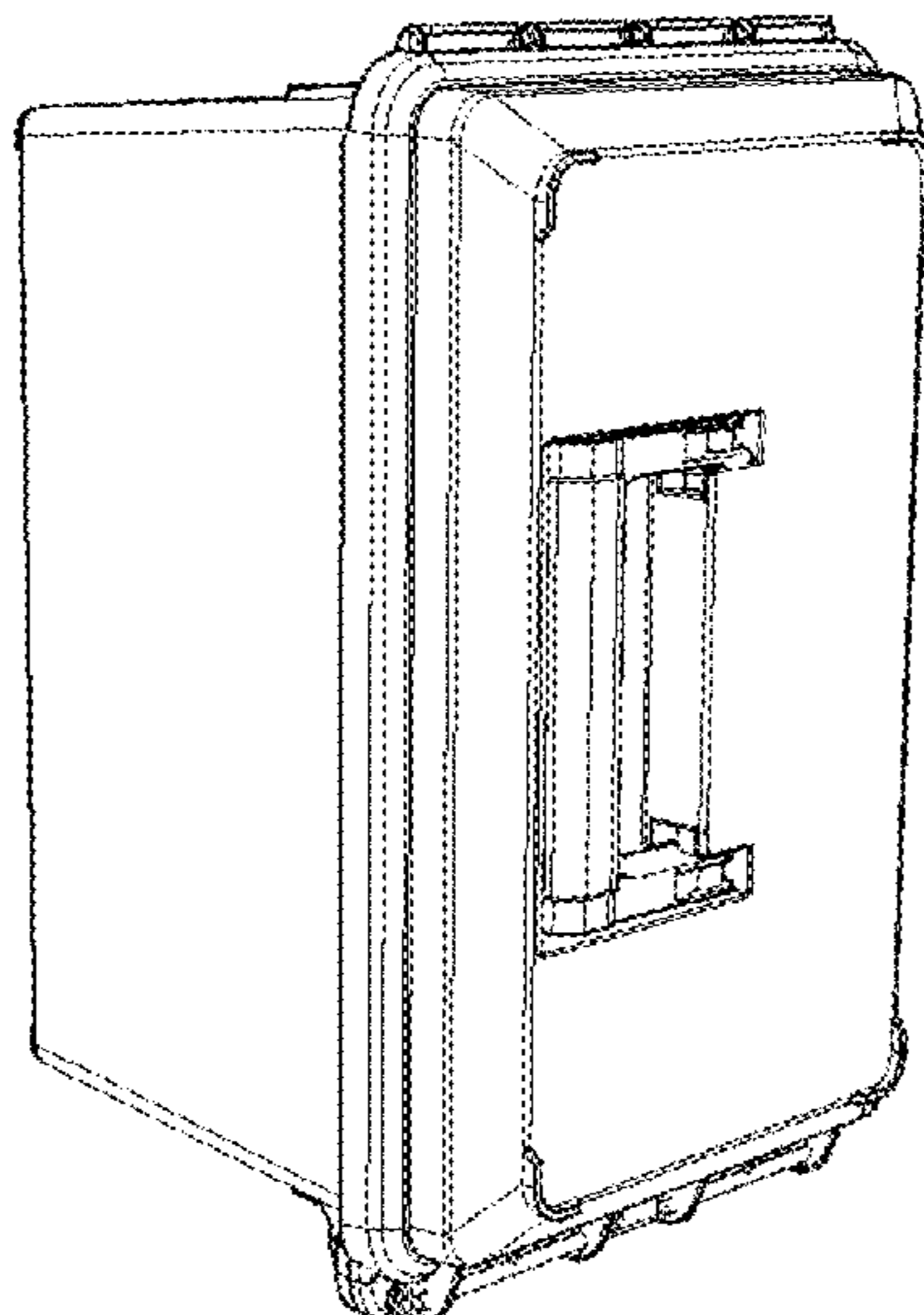
**DESCRIPTION**

**U.S. PATENT DOCUMENTS**

- 1,355,343 A 10/1920 Korn
- 2,790,547 A 4/1957 Sutton
- 2,939,603 A 6/1960 Young
- 3,088,583 A 5/1963 Holtz
- D205,579 S 8/1966 Schurman
- D205,580 S 8/1966 Schurman
- 3,369,721 A 2/1968 Lentz
- D213,601 S 3/1969 Benke
- 3,464,579 A 9/1969 Asenbauer
- D220,021 S 2/1971 Bruening
- 3,593,873 A 7/1971 Vonk
- 3,616,976 A 11/1971 Geretschlaeger
- 4,030,646 A 6/1977 Switack et al.
- D247,159 S 2/1978 Schidlowski et al.

FIG. 1 is a side perspective view of an ammunition storage container;  
FIG. 2 is a bottom perspective view of the ammunition storage container;  
FIG. 3 is a front view of the ammunition storage container;  
FIG. 4 is a rear view of the ammunition storage container;  
FIG. 5 is a right side view of the ammunition storage container;  
FIG. 6 is a left side view of the ammunition storage container;  
FIG. 7 is a top view of the ammunition storage container; and,  
FIG. 8 is a bottom view of the ammunition storage container.

**1 Claim, 8 Drawing Sheets**



(56)

References Cited

U.S. PATENT DOCUMENTS

D353,048 S 12/1994 VanSkiver et al.  
 D367,958 S 3/1996 Tisbo et al.  
 D375,693 S 11/1996 Chang  
 D380,225 S 6/1997 Kung  
 D384,886 S 10/1997 Plante  
 D387,903 S 12/1997 Jacoby et al.  
 D389,745 S 1/1998 Steinhagen et al.  
 D392,060 S 3/1998 Chen  
 5,826,718 A 10/1998 Ahern, Jr. et al.  
 D403,093 S 12/1998 Tseng  
 D413,202 S 8/1999 Schmitt et al.  
 D419,297 S 1/2000 Richardson et al.  
 D419,768 S 2/2000 Richardson et al.  
 D427,769 S 7/2000 Zimmerman  
 6,193,062 B1 2/2001 Rysgaard et al.  
 D441,954 S 5/2001 Parker  
 D462,519 S 9/2002 Gaydos et al.  
 D464,196 S \* 10/2002 Parker ..... D3/273  
 D465,330 S 11/2002 Parker  
 D466,422 S 12/2002 Luquire  
 6,564,384 B1 5/2003 Kiser  
 D488,397 S 4/2004 Morelock  
 D488,398 S 4/2004 Golaszewski et al.  
 D490,551 S 5/2004 Kim  
 D495,074 S 8/2004 Oas  
 D495,443 S 8/2004 Kim  
 6,955,381 B2 10/2005 Parker et al.  
 D511,624 S 11/2005 Rosine et al.  
 D513,123 S \* 12/2005 Richardson et al. .... D3/273  
 D514,512 S 2/2006 Rubin et al.  
 D516,309 S 3/2006 Richardson et al.  
 D516,807 S 3/2006 Richardson et al.  
 D523,242 S 6/2006 Hardigg et al.  
 D527,181 S 8/2006 Henning et al.  
 D552,471 S 10/2007 Kuus  
 D566,479 S 4/2008 Kabalin  
 7,370,891 B1 5/2008 Schmitt et al.  
 D572,154 S 7/2008 Daas  
 D574,616 S 8/2008 Tullney et al.  
 D579,202 S 10/2008 Grenier et al.  
 D580,170 S 11/2008 Klotzman et al.

7,447,118 B1 11/2008 Matos  
 7,533,782 B2 5/2009 Parker et al.  
 D609,913 S 2/2010 Landau  
 D613,059 S \* 4/2010 Horiyama et al. .... D3/281  
 D615,022 S 5/2010 Schanz et al.  
 D622,061 S 8/2010 Higginson  
 D624,317 S 9/2010 Wenchel et al.  
 7,837,053 B2 11/2010 Arnett et al.  
 D629,199 S 12/2010 Minneman  
 D641,160 S 7/2011 Minneman  
 D650,585 S \* 12/2011 Jamison et al. .... D3/294  
 8,297,464 B2 10/2012 Grenier et al.  
 2005/0034212 A1 2/2005 Eisenbraun  
 2007/0164020 A1 7/2007 Arnett et al.  
 2008/0307835 A1 12/2008 Grenier et al.

OTHER PUBLICATIONS

Five in One Survival Kit featuring a waterproof matchbox and flint striker, whistle, signaling mirror, liquid-filled compass and lanyard for sale on websites <<http://www.cabelas.com>>, <<http://ep.yimg.com>>, and <<http://www.disasternecessities.com>>. At least as early as Feb. 13, 2004.  
 7 in 1! Emergency Survival Kit: Whistle + Compass + White LED Flashlight + Signalling Mirror + 5x Magnifier + Thermometer + Storage for sale on website <<http://www.wildtexas.com>>. At least as early as Jun. 23, 2009.  
 Survivor Kit, Whistle, Compass, Container for sale on website <<http://www.epromos.com/product/8815468.html>>. At least as early as Jul. 1, 2006.  
 Silva waterproof match-case with compass screw-top for sale on website <<http://www.campman.com/silva-match-case-p-292.html>>. At least as early as Feb. 9, 2006.  
 K & M Match-case with double O-ring stopper and compass screw-top for sale on website <<http://www.kmmatchcase.com>>. At least as early as Apr. 12, 2007.  
 Swiss Tech BodyGard Survivor 12-in-1 for sale on website <<http://www.microfiber-products-online.com>> and <<http://www.amazon.com>>. At least as early as Nov. 8, 2007.

\* cited by examiner

FIG 1

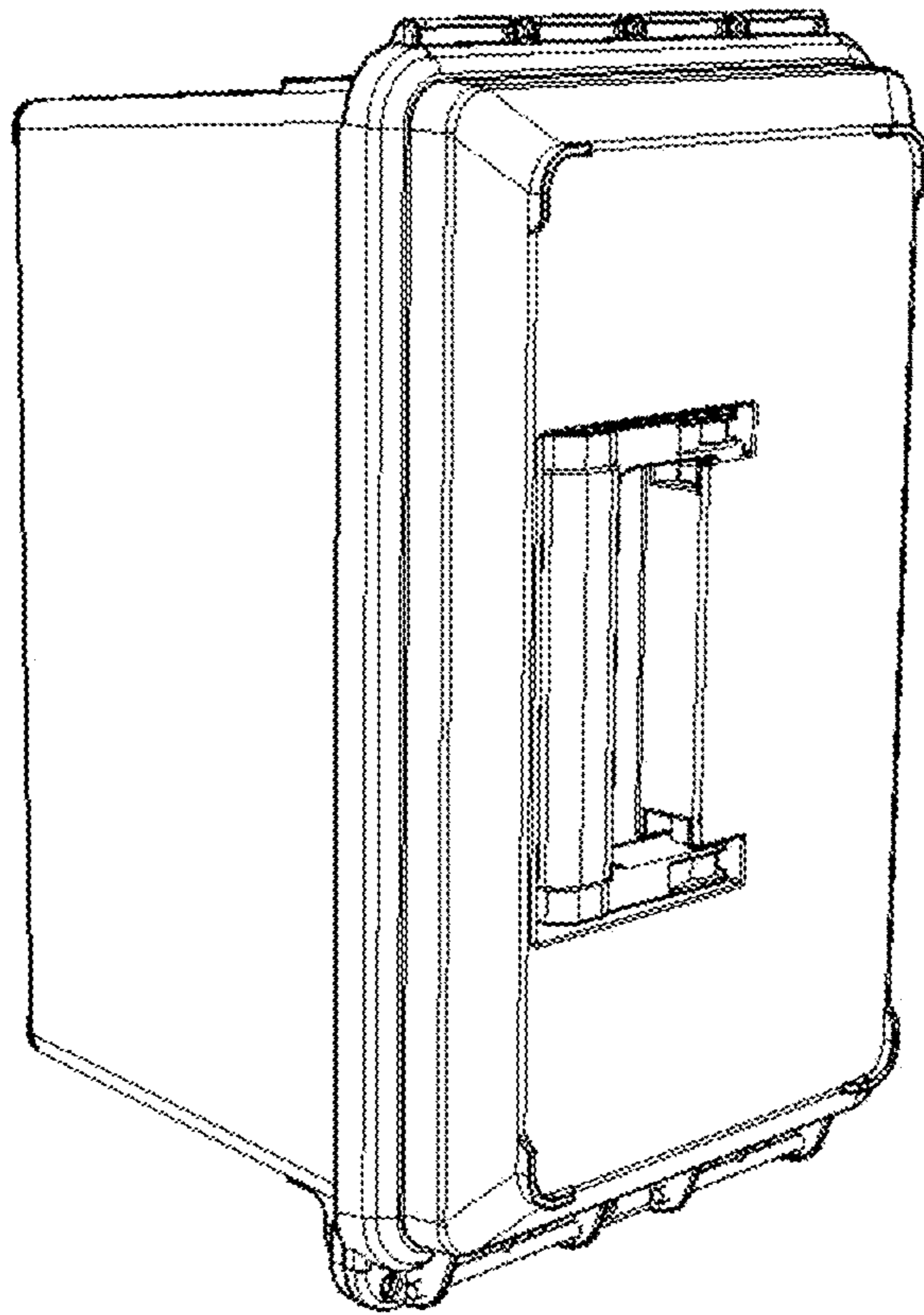


FIG 2

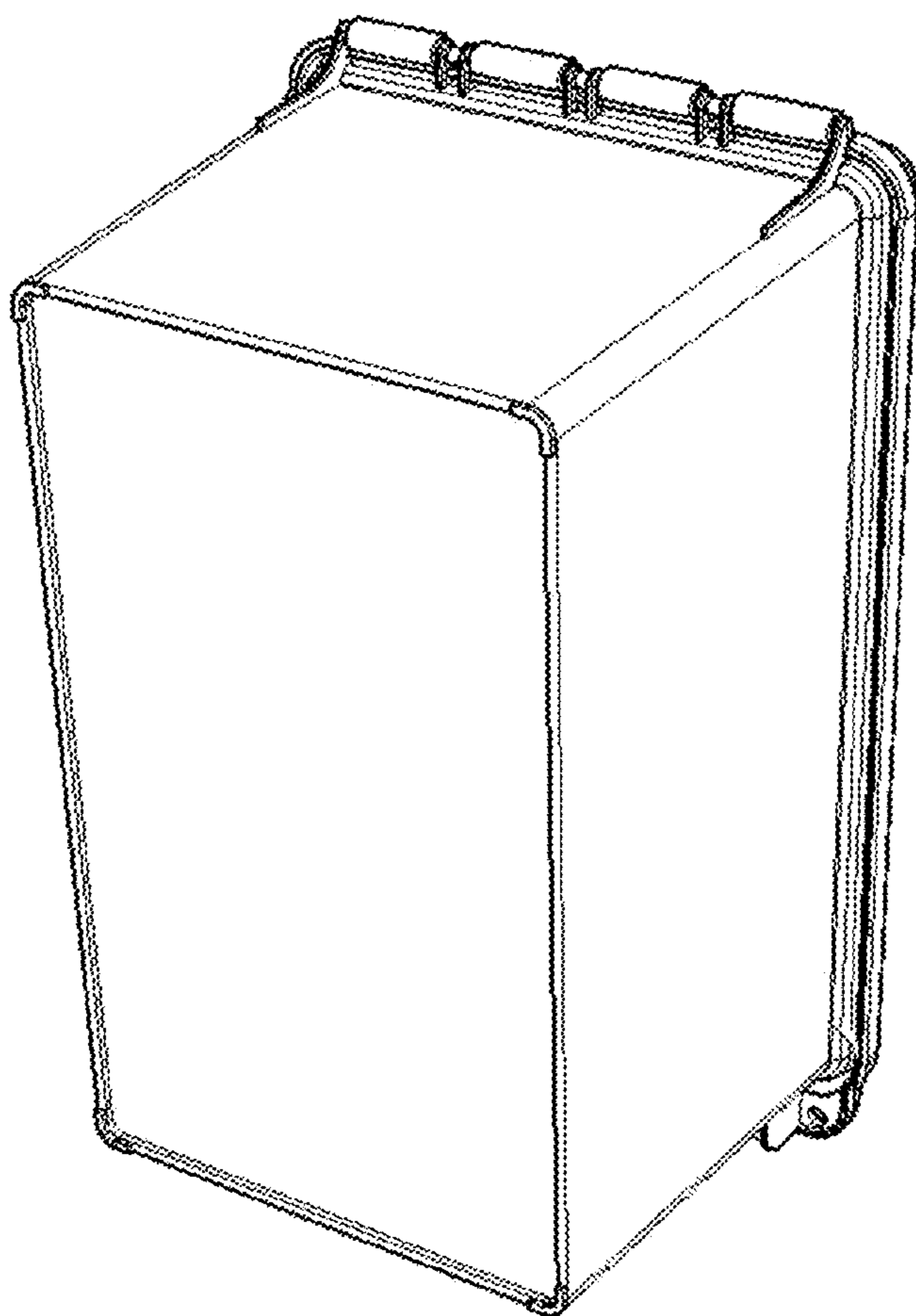


FIG 3

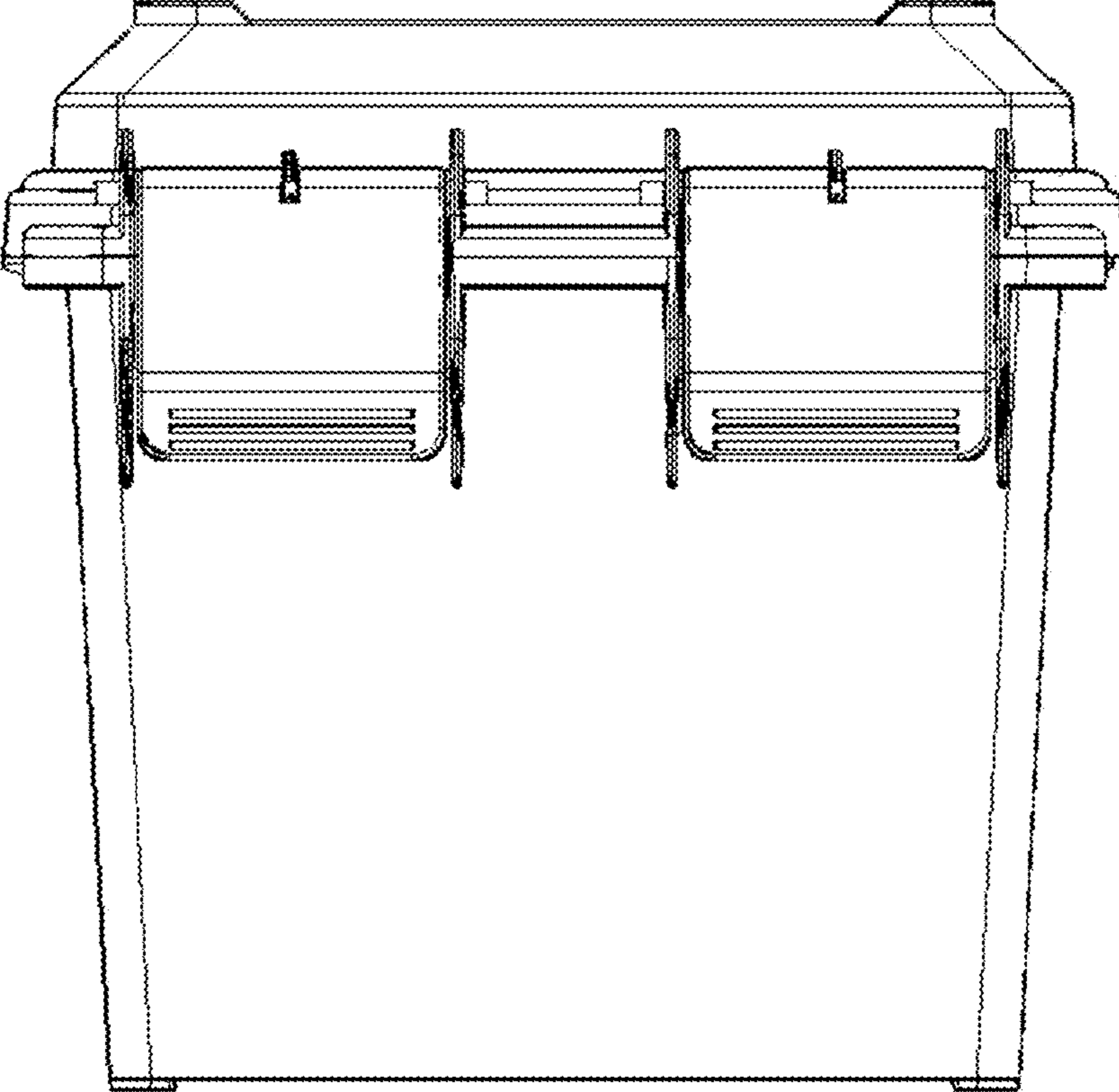


FIG 4

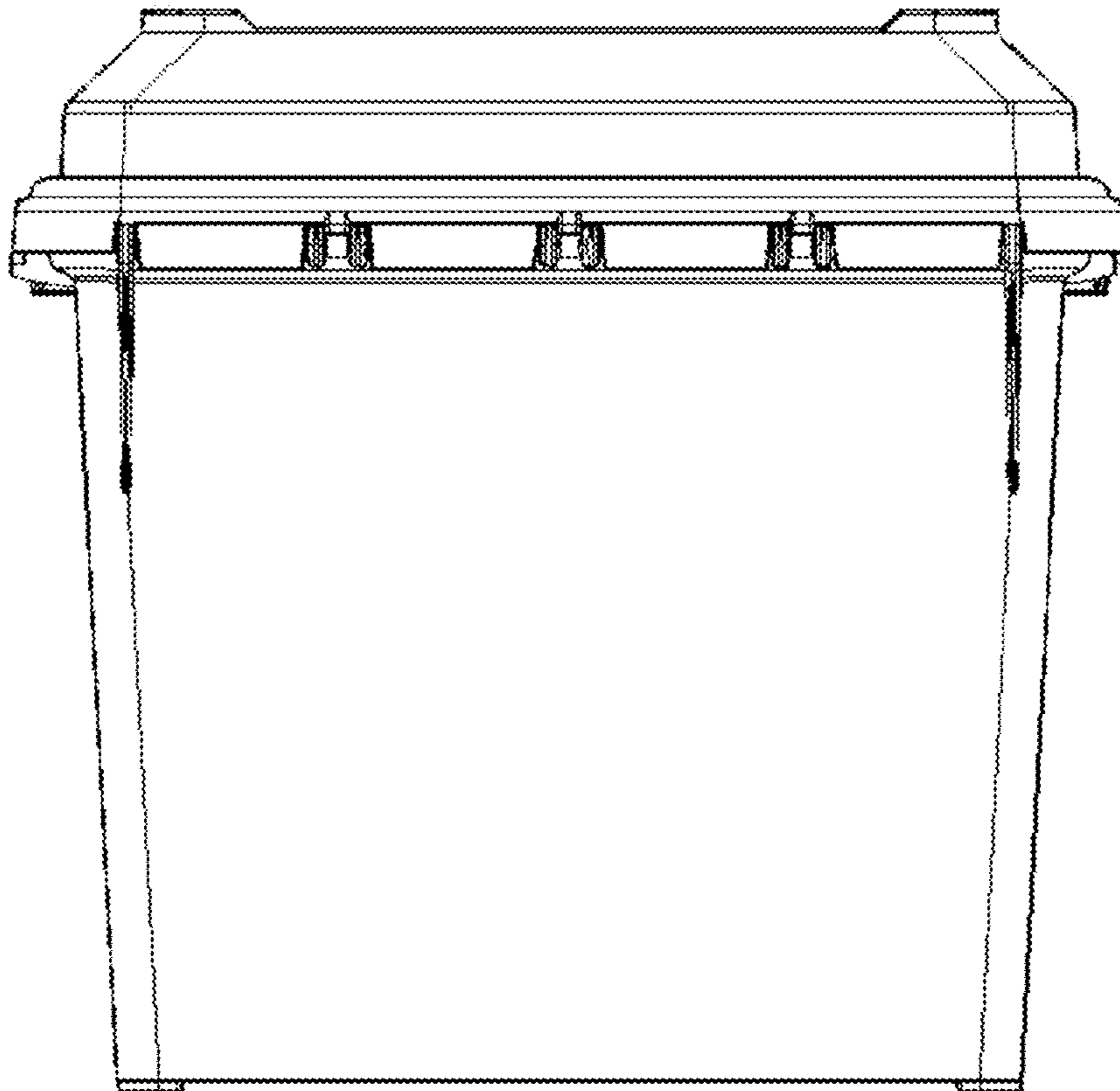


FIG 5

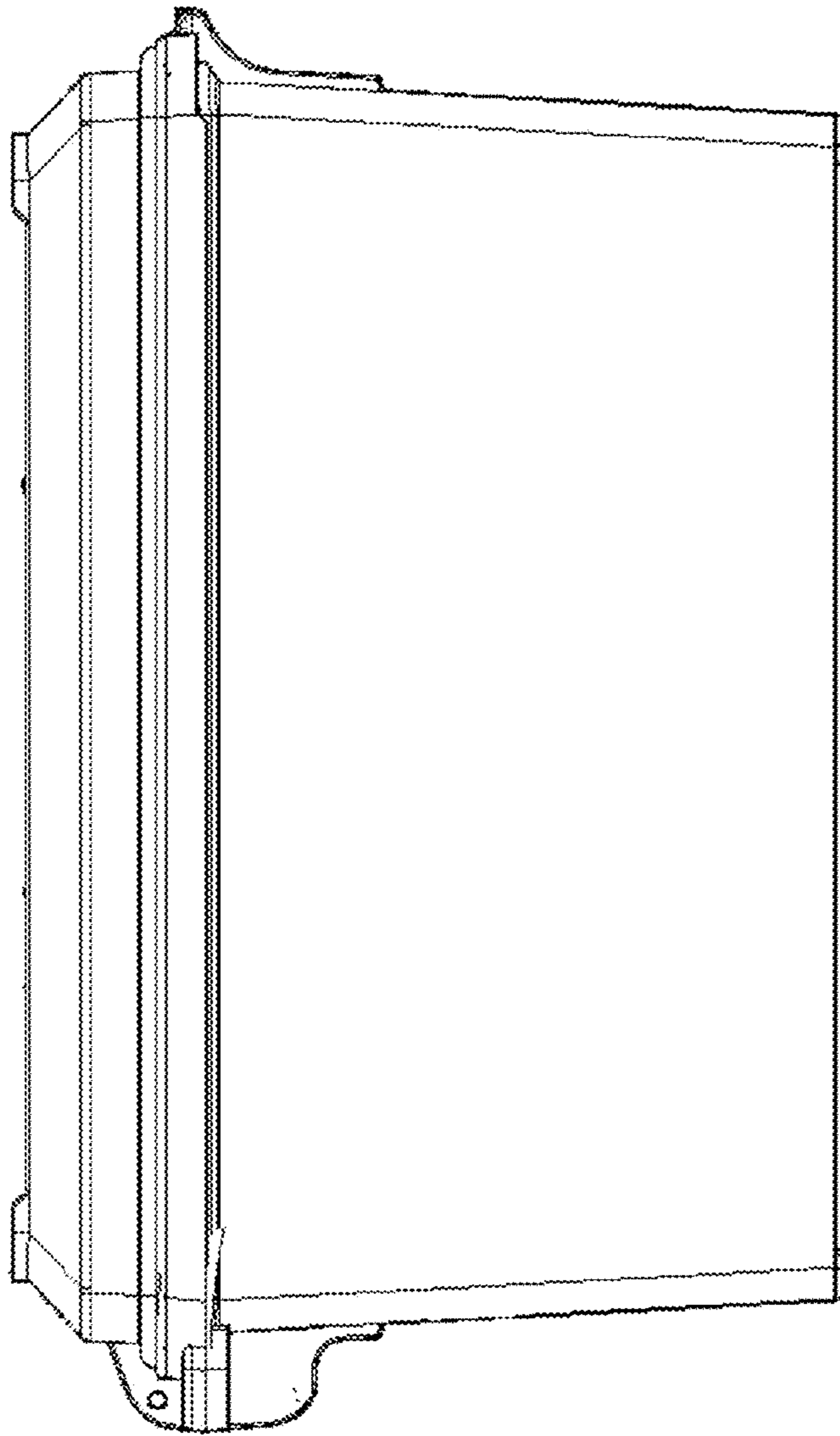


FIG 6

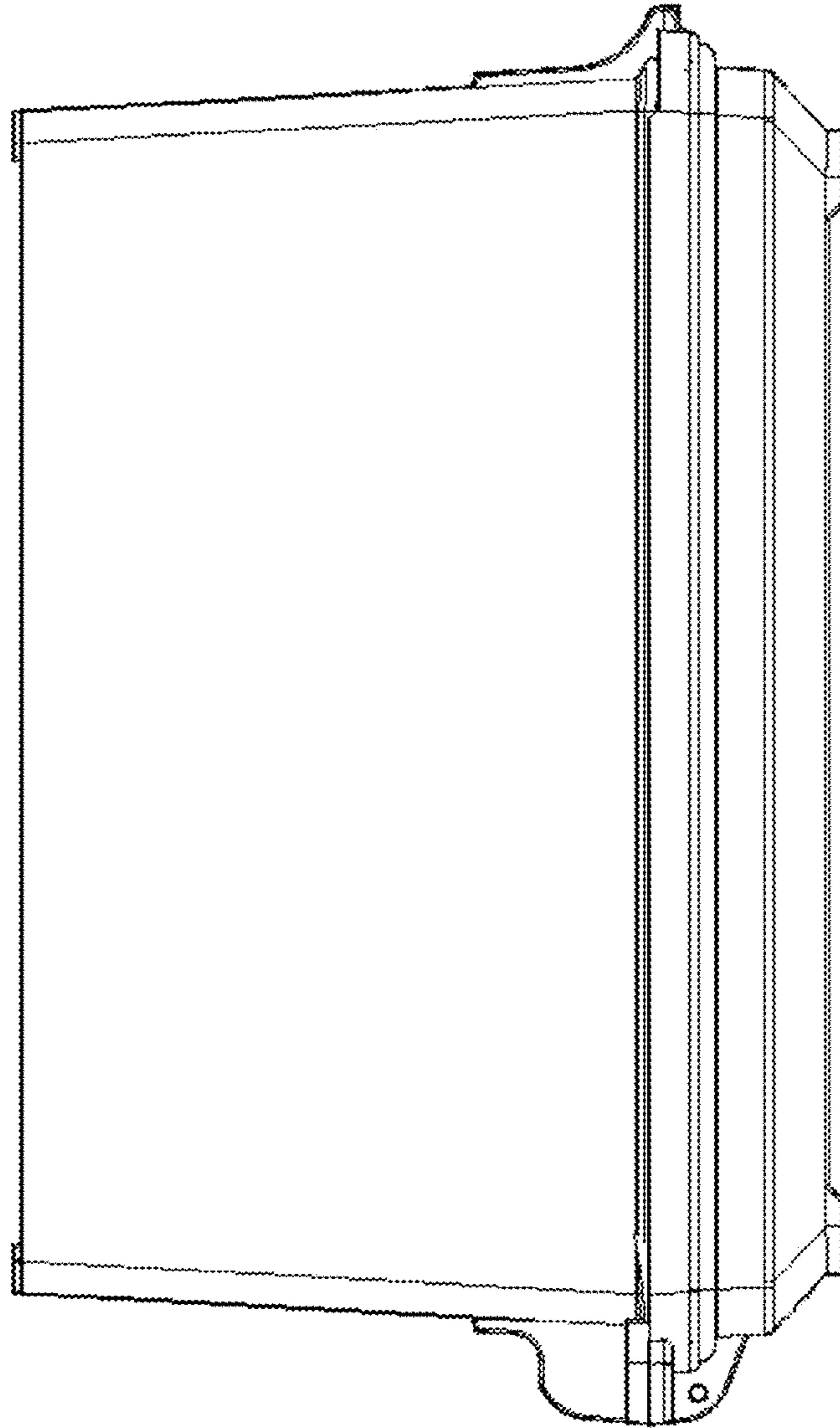




FIG 7

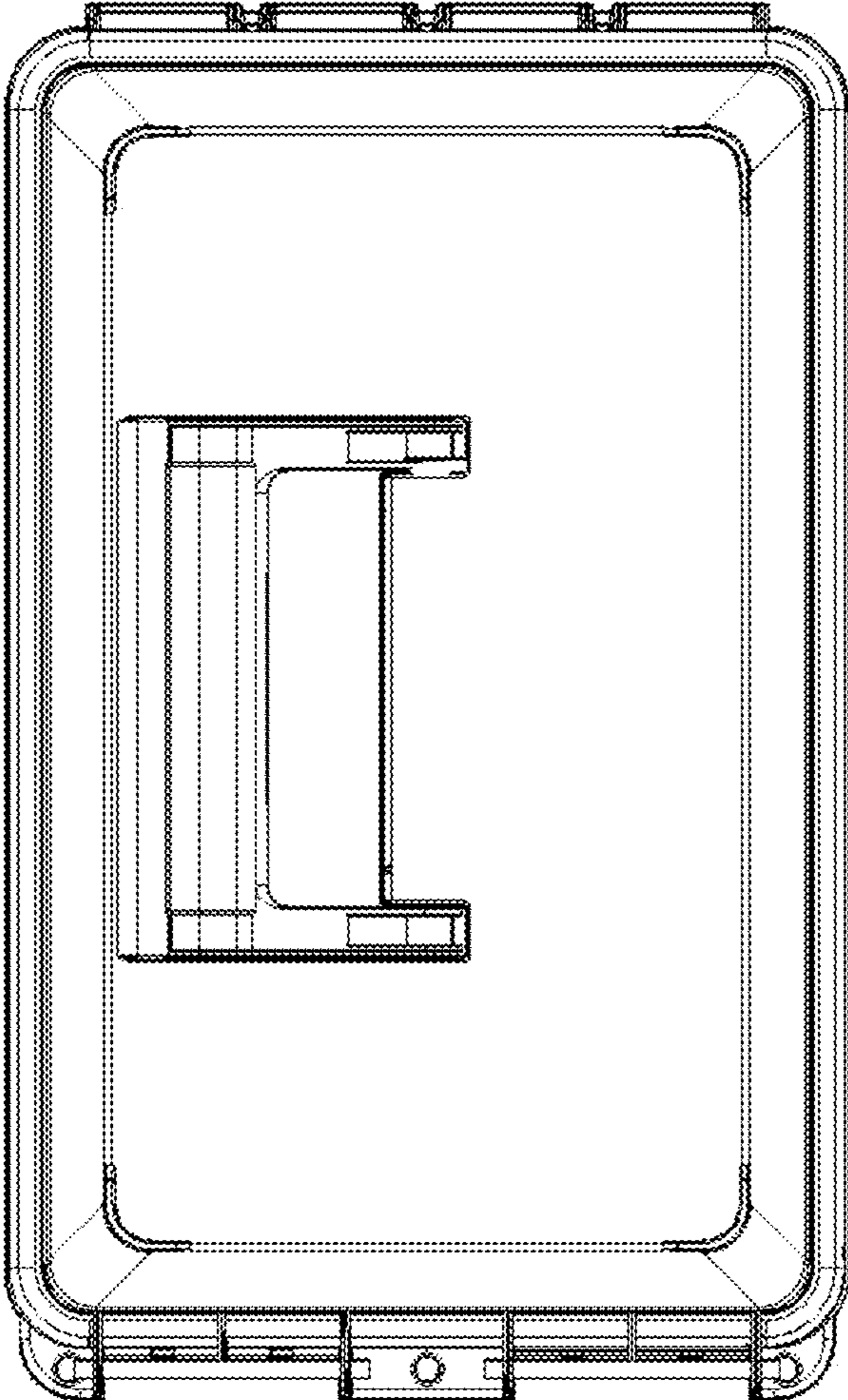


FIG 8

