



US00D741596S

(12) **United States Design Patent**
Staley et al.

(10) **Patent No.:** **US D741,596 S**
(45) **Date of Patent:** **** Oct. 27, 2015**

(54) **HANDBAG WITH OPENING FLAP AND DRINK POUCH**

(71) Applicant: **Who Knew, LLC**, Kansas City, MO (US)

(72) Inventors: **Kimberly Staley**, Kansas City, MO (US); **Adrian Bruce**, Kansas City, MO (US)

(73) Assignee: **WHO KNEW, LLC**, Kansas City, MO (US)

(**) Term: **14 Years**

(21) Appl. No.: **29/506,927**

(22) Filed: **Oct. 22, 2014**

(51) **LOC (10) Cl.** **03-01**

(52) **U.S. Cl.**
USPC **D3/233**

(58) **Field of Classification Search**
USPC D3/232-233, 240-243, 245-246
CPC A45C 1/024; A45C 3/06
See application file for complete search history.

(56) **References Cited**

U.S. PATENT DOCUMENTS

2,884,979 A * 5/1959 Corbe 150/133
D303,042 S * 8/1989 Mackey D6/630

(Continued)

OTHER PUBLICATIONS

Printout from <http://www.drinksbagcompany.com>, dated Jul. 25, 2014.

(Continued)

Primary Examiner — Holly Baynham

(74) *Attorney, Agent, or Firm* — Husch Blackwell LLP

(57) **CLAIM**

We claim the ornamental design for a handbag with opening flap and drink pouch, as shown and described.

DESCRIPTION

FIG. 1 is a perspective view of a handbag with opening flap and drink pouch showing our new design.

FIG. 2 is a front elevational view thereof with the opening flap in its closed position.

FIG. 3 is a rear elevational view thereof.

FIG. 4 is a left side elevational view thereof with the opening flap in its closed position.

FIG. 5 is a right side elevational view thereof with the opening flap in its closed position.

FIG. 6 is a top planform view thereof with the opening flap in its closed position.

FIG. 7 is a bottom planform view thereof with the opening flap in its closed position.

FIG. 8 is a top planform view thereof with the opening flap in its open position.

FIG. 9 is a top planform view thereof with the opening flap in its open position and with the handbag open showing three separate compartments, one of which having a second flap in its closed position.

FIG. 10 is a top planform view thereof similar to FIG. 9 showing the second flap in its open position.

FIG. 11 is a right side elevational view thereof showing the side zipper open and showing access to two compartments.

FIG. 12 is a right side elevational view thereof similar to FIG. 11 showing the positioning of a drinking bag spout.

FIG. 13 is a cross-sectional view thereof taken along line 13-13 of FIG. 8 showing one of the three compartments of FIGS. 9 and 10 with the second flap in its closed position.

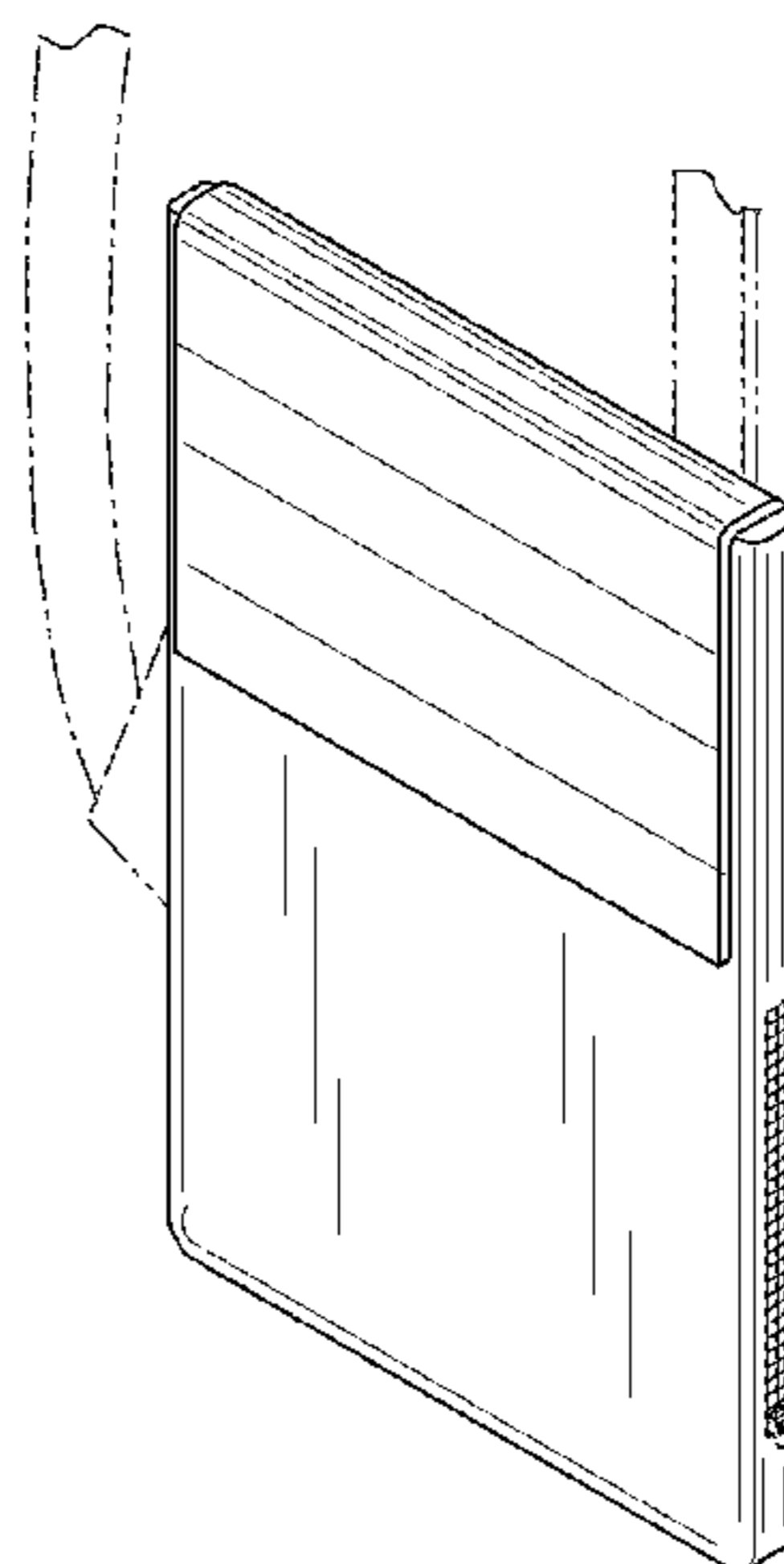
FIG. 14 is a cross-sectional view thereof similar to FIG. 13 with the second flap in its open position; and,

FIG. 15 is a cross-sectional view thereof taken along line 15-15 of FIG. 8 showing another one of the three compartments of FIGS. 9 and 10.

The broken lines showing a strap and a typical drinking bag spout are for illustrative purposes only and form no part of the claimed design.

The broken lines showing a portion of a drinking straw are for the purpose of illustrating environment and form no part of the claimed design.

1 Claim, 4 Drawing Sheets



(56)

References Cited

U.S. PATENT DOCUMENTS

D345,254 S * 3/1994 Bodden D3/246
D367,956 S * 3/1996 Peters D3/233
D374,985 S * 10/1996 Hoyt D3/246
D606,741 S * 12/2009 Zaharakos D3/232

OTHER PUBLICATIONS

Printout from <http://www.drinksbagcompany.com/shop>, dated Jul. 25, 2014.

Printout from <http://www.drinksbagcompany.com/product/disposable-refreshment-bag-3-litres-coming-soon/>, dated Jul. 25, 2014.

* cited by examiner

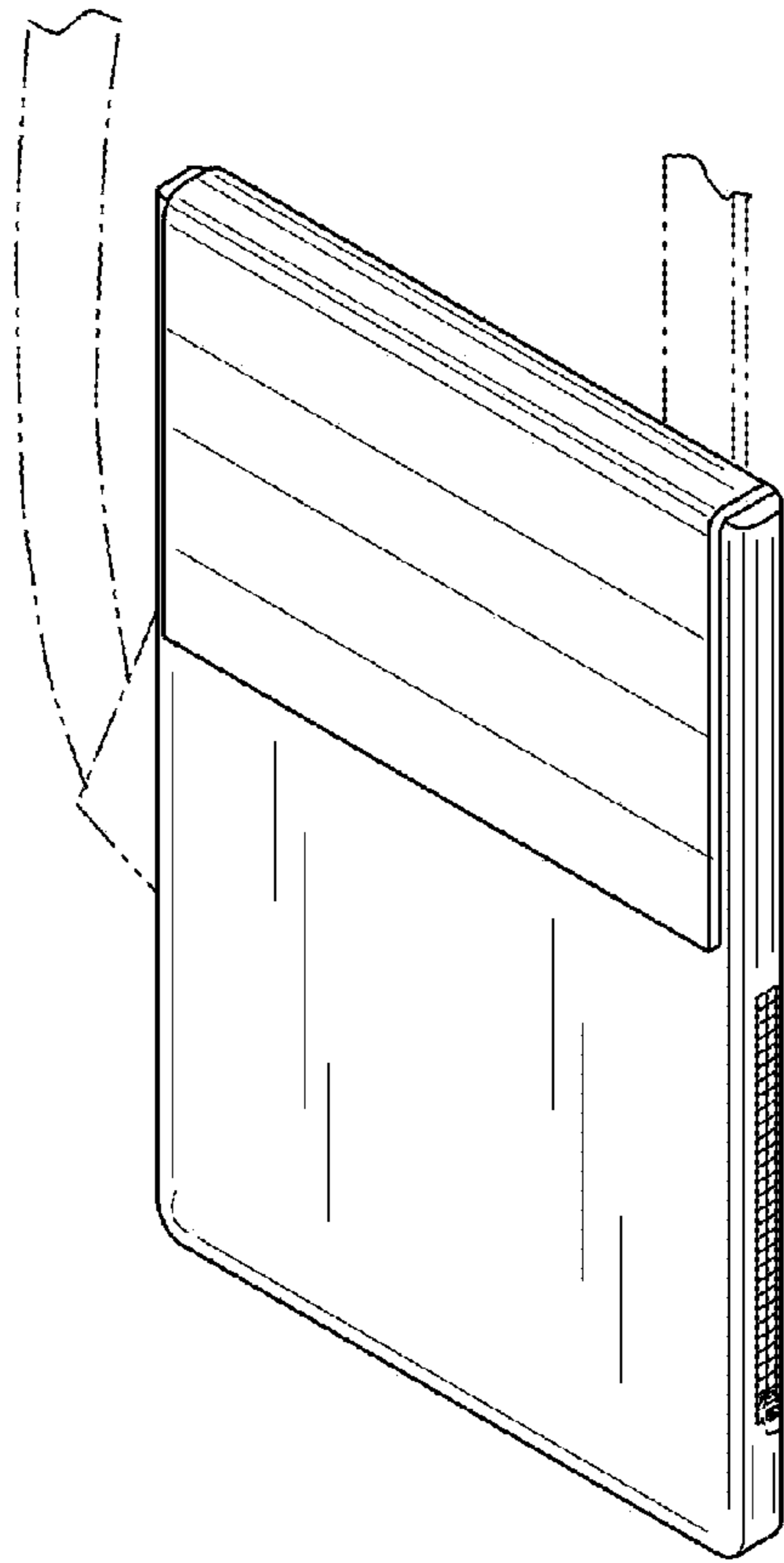


FIG. 1

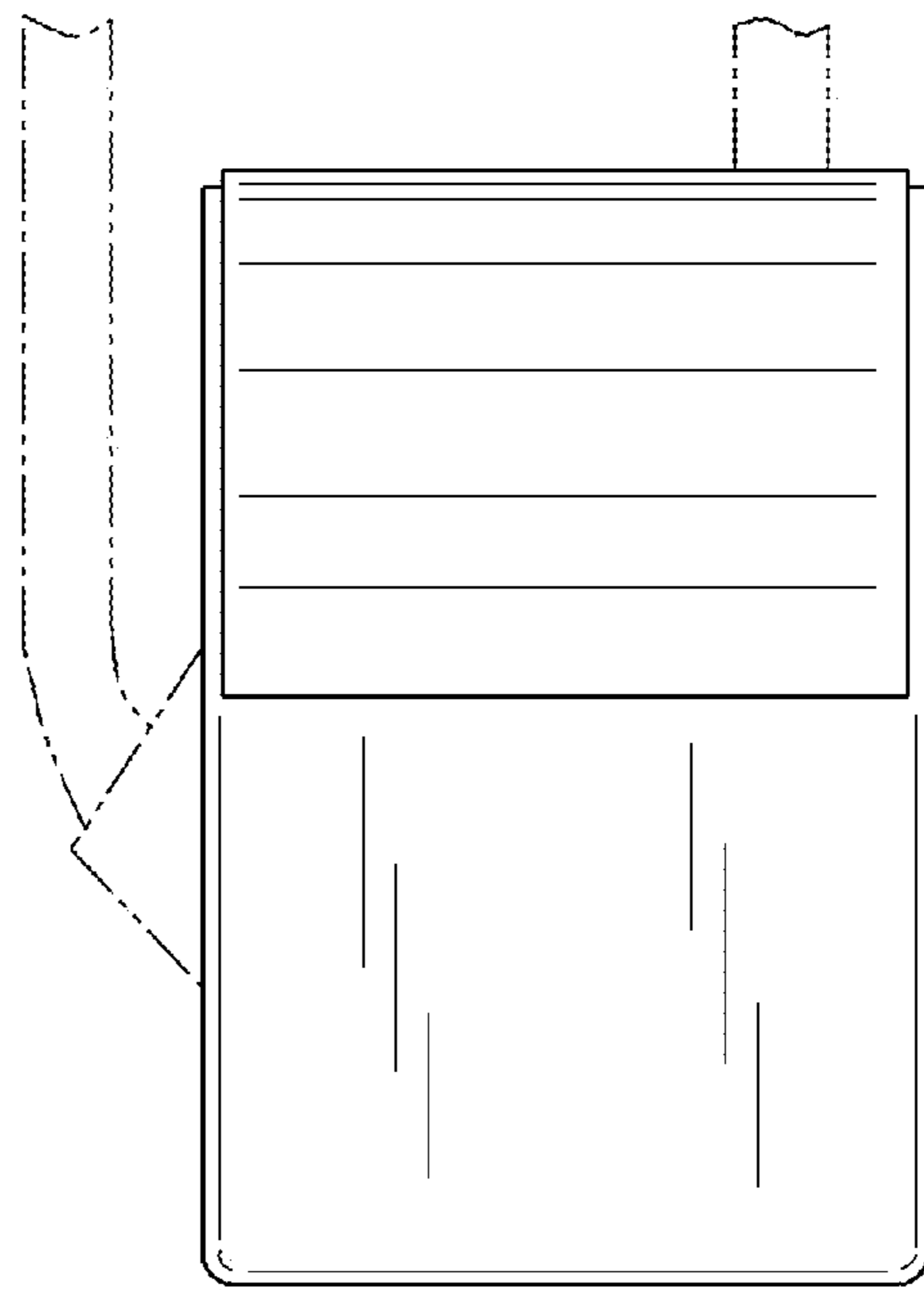


FIG. 2

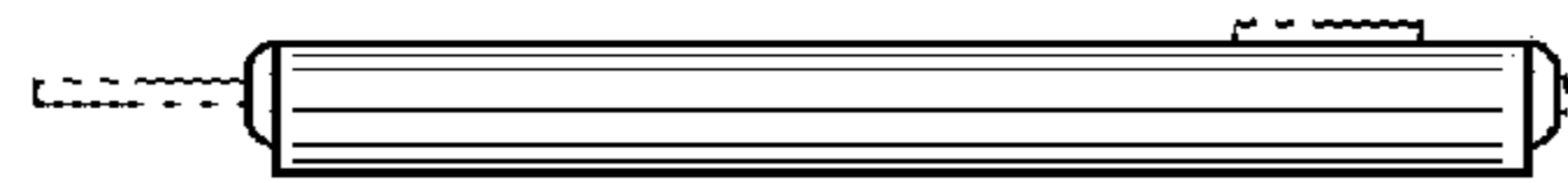


FIG. 6

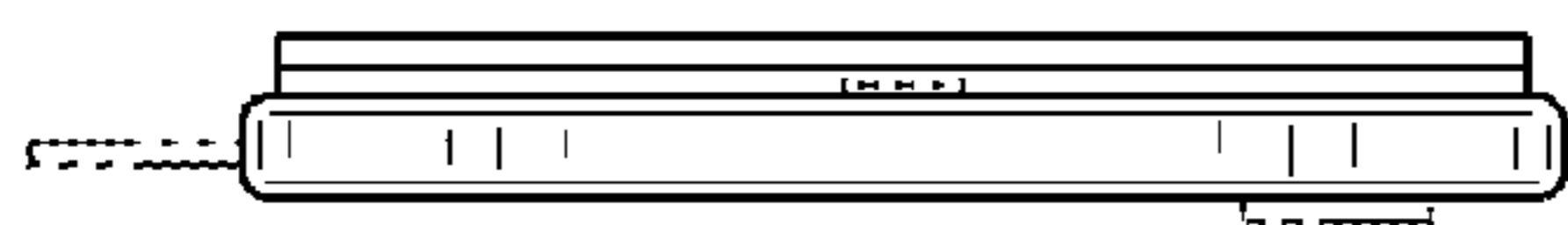


FIG. 7

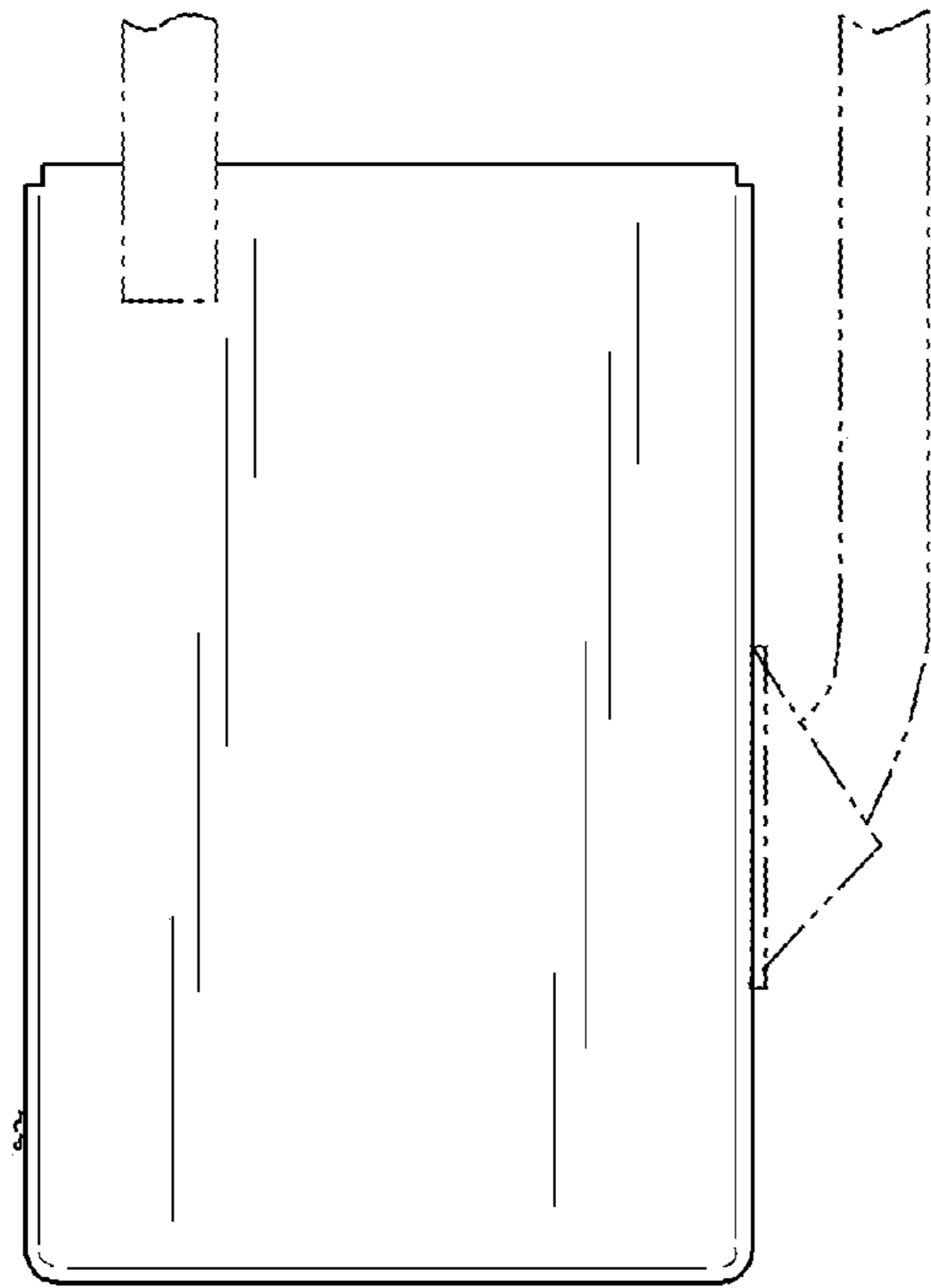


FIG. 3

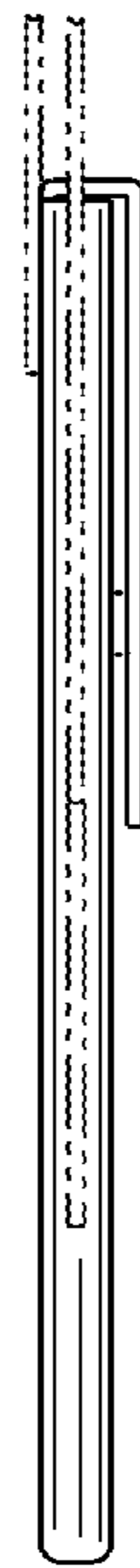


FIG. 4

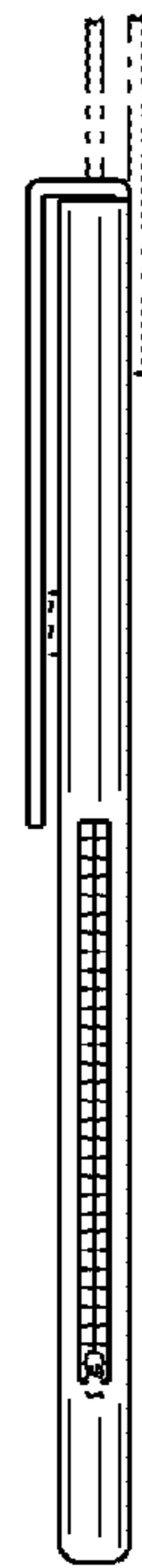


FIG. 5

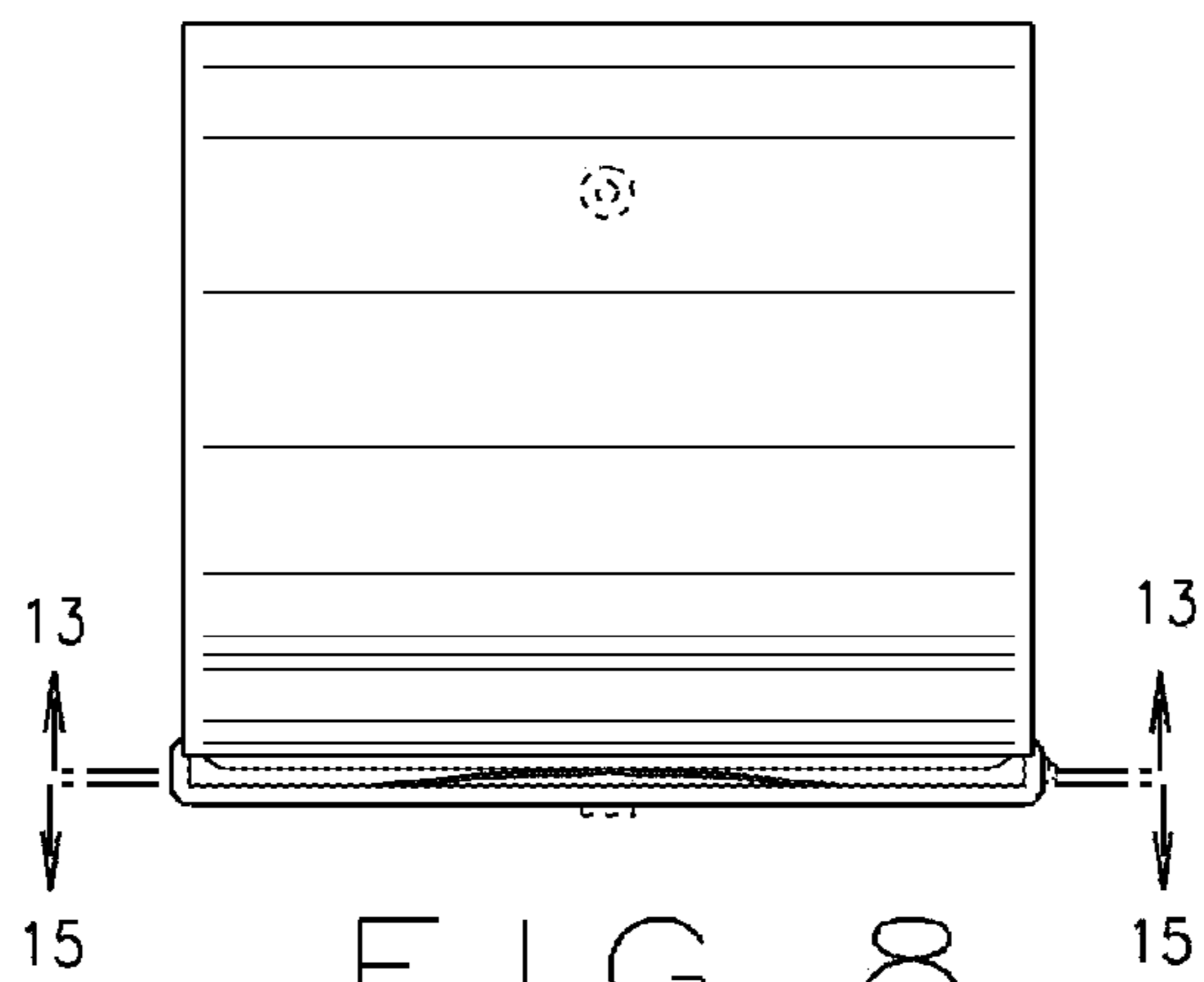


FIG. 8

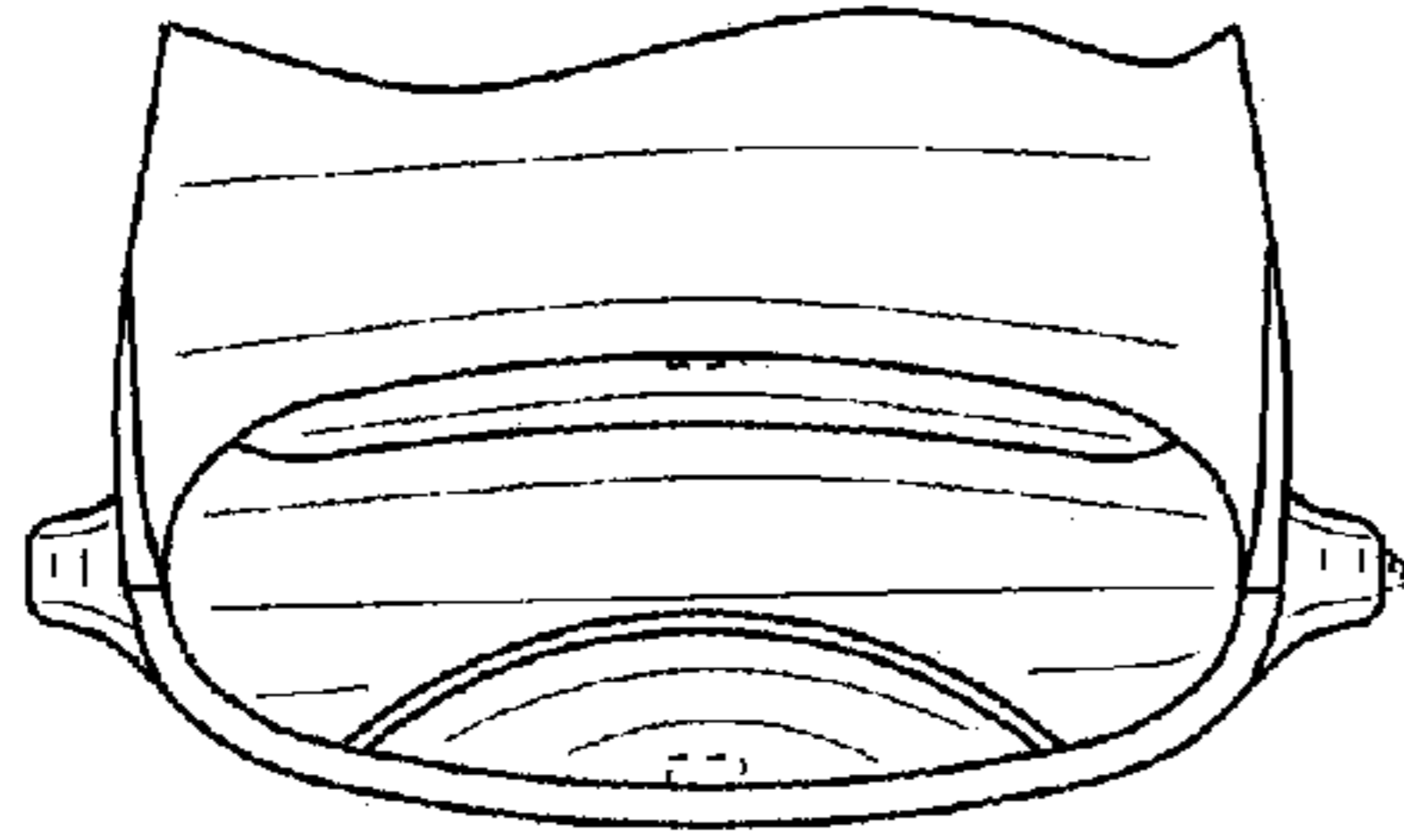


FIG. 9

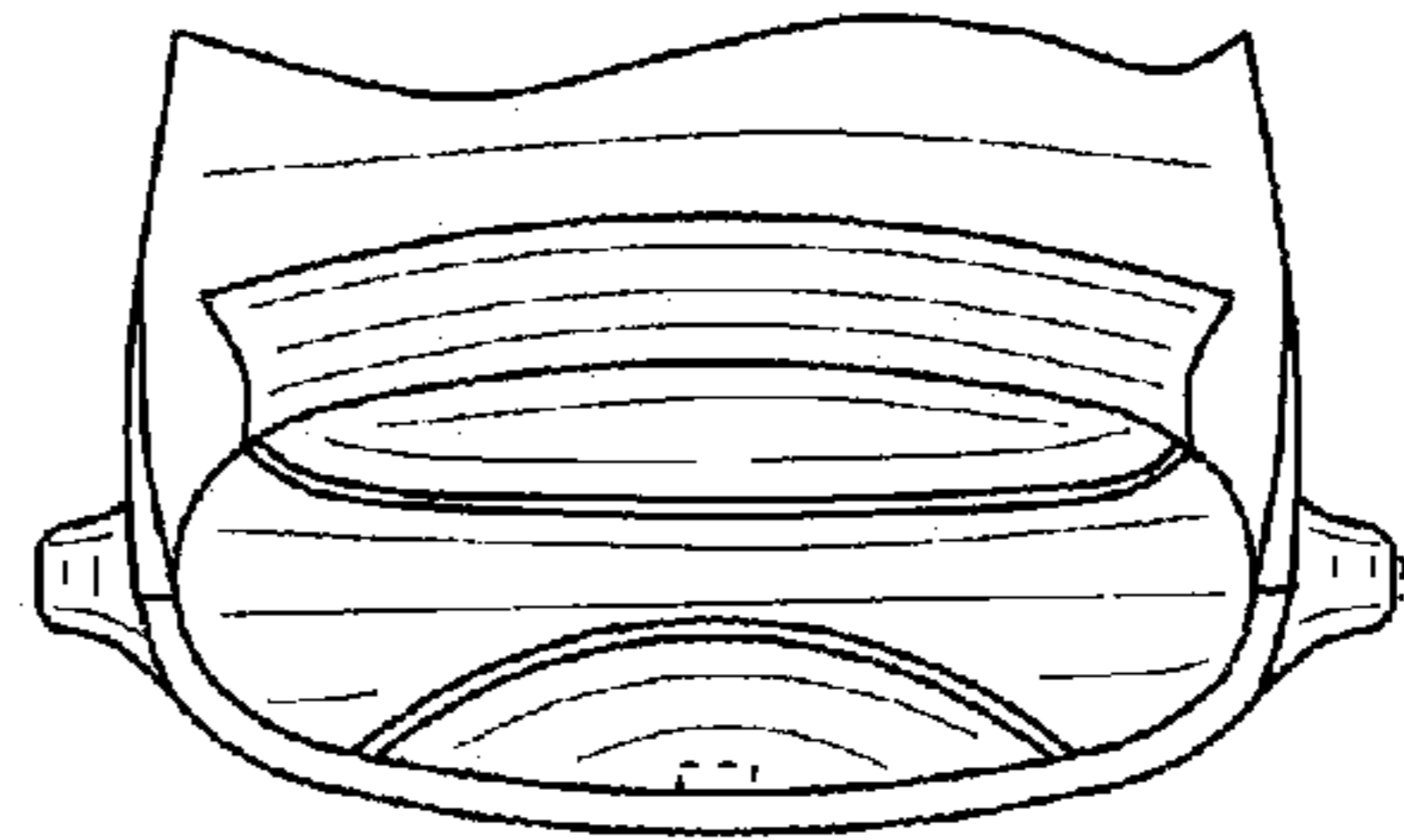


FIG. 10

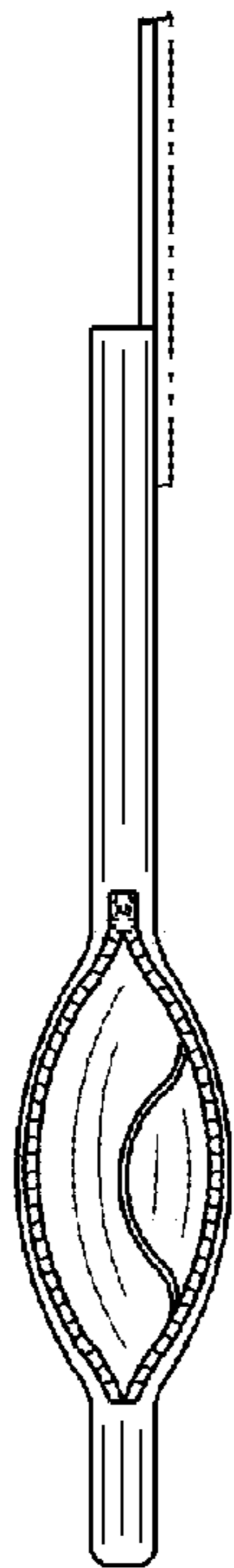


FIG. 11

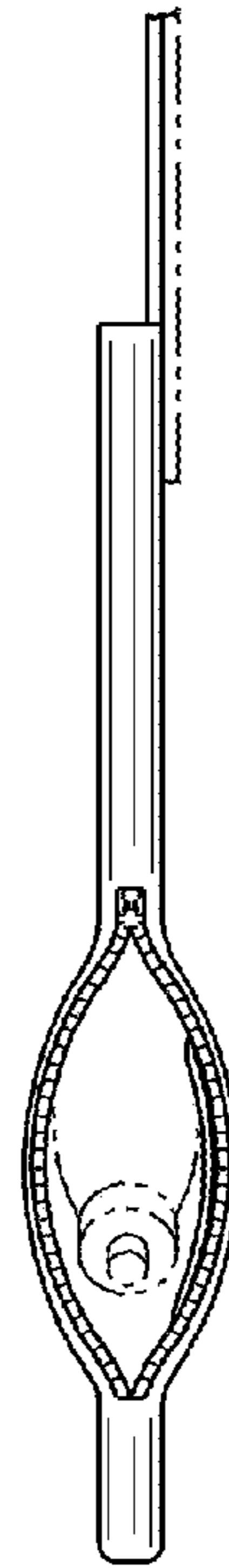


FIG. 12

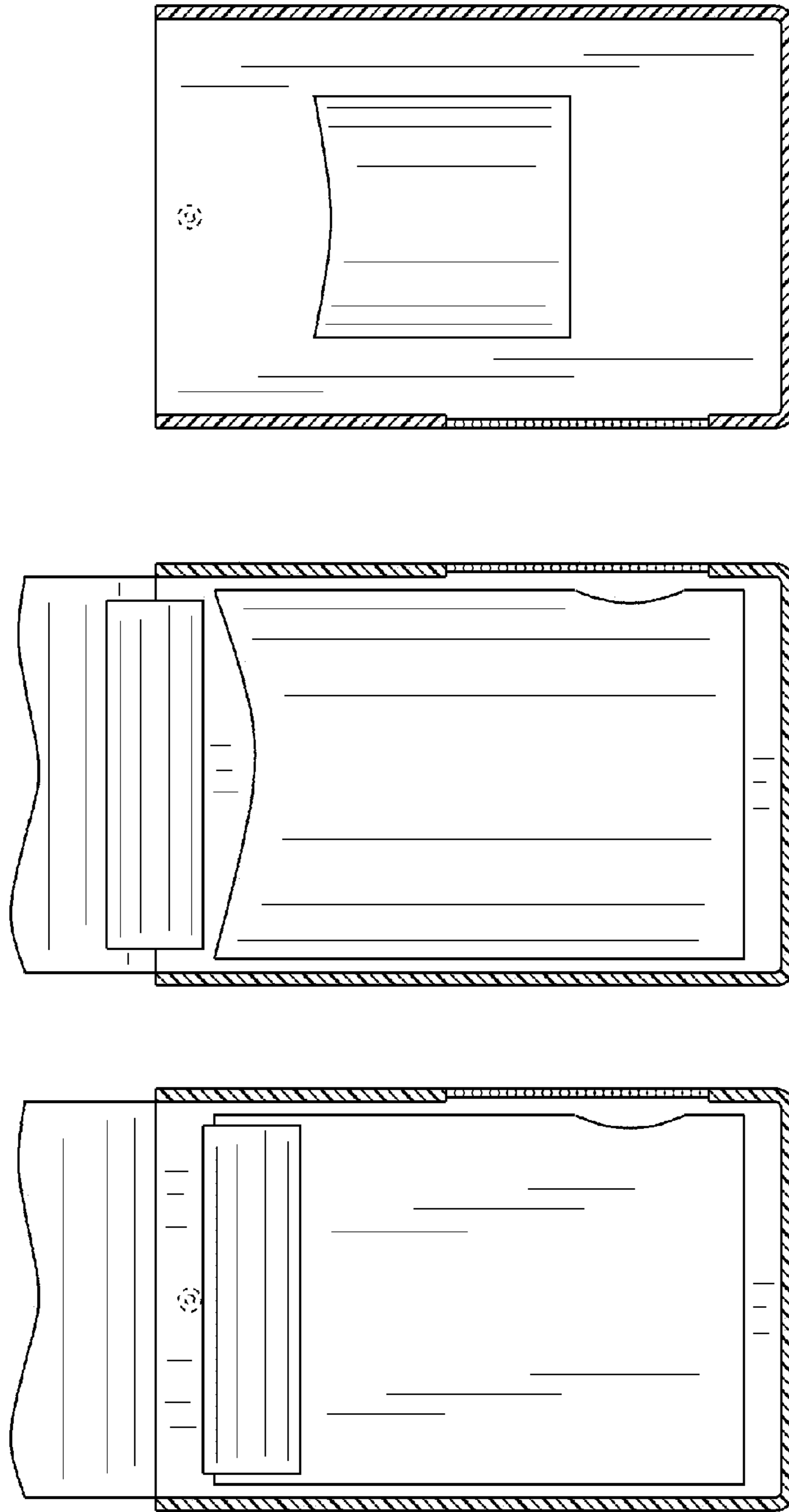


FIG. 15

FIG. 14

FIG. 13