



US00D741594S

(12) **United States Design Patent**
Morgan et al.

(10) **Patent No.:** **US D741,594 S**
(45) **Date of Patent:** **** Oct. 27, 2015**

(54) **ARMBAND**

FOREIGN PATENT DOCUMENTS

(71) Applicant: **ARMPOCKET ENTERPRISES,**
Miramar, FL (US)

AU 200244464 12/2003
CN 201504718 U 6/2010

(Continued)

(72) Inventors: **Mark Edward Morgan,** Doral, FL
(US); **Jytte Lilli Nielsen,** Doral, FL (US)

OTHER PUBLICATIONS

(73) Assignee: **ARMPOCKET ENTERPRISES,**
Miramar, FL (US)

Amazon.com search results for Armbands for smartphones.

(Continued)

(**) Term: **14 Years**

Primary Examiner — Catheri Oliver-Garcia

(21) Appl. No.: **29/498,344**

(74) *Attorney, Agent, or Firm* — Marshall, Gerstein & Borun
LLP

(22) Filed: **Aug. 1, 2014**

Related U.S. Application Data

(57) **CLAIM**

(63) Continuation of application No. 29/467,639, filed on
Sep. 20, 2013, now Pat. No. Des. 710,598, which is a
continuation-in-part of application No. 13/245,454,
filed on Sep. 26, 2011, now Pat. No. 8,752,740, which
is a continuation-in-part of application No.
11/509,122, filed on Aug. 24, 2006, now abandoned.

The ornamental design for an armband, as shown and
described.

(51) **LOC (10) Cl.** **03-01**

(52) **U.S. Cl.**
USPC **D3/218**

DESCRIPTION

(58) **Field of Classification Search**
USPC D3/215, 218–219, 226; 224/219, 222,
224/267, 269, 197, 221, 250, 575, 930;
455/575.1–575.8

FIG. 1 is an isometric view of an armband showing the new
design;
FIG. 2 is a front view of the armband seen in FIG. 1.
FIG. 3 is a rear view of the armband seen in FIG. 1.
FIG. 4 is a right-side view of the armband seen in FIG. 1.
FIG. 5 is a left-side view of the armband seen in FIG. 1.
FIG. 6 is a top view of the armband seen in FIG. 1.
FIG. 7 is a bottom view of the armband seen in FIG. 1; and,
FIG. 8 is an enlarged, angled bottom view of the armband
seen in FIG. 1.

See application file for complete search history.

The lighter-weight broken lines that are shown in the bottom
views and around the rectangular central face in the isometric
view and in the front view are intended to represent stitching
and form part of the claimed design. The other broken lines
represent unclaimed portions of the armband and form no part
of the claimed design.

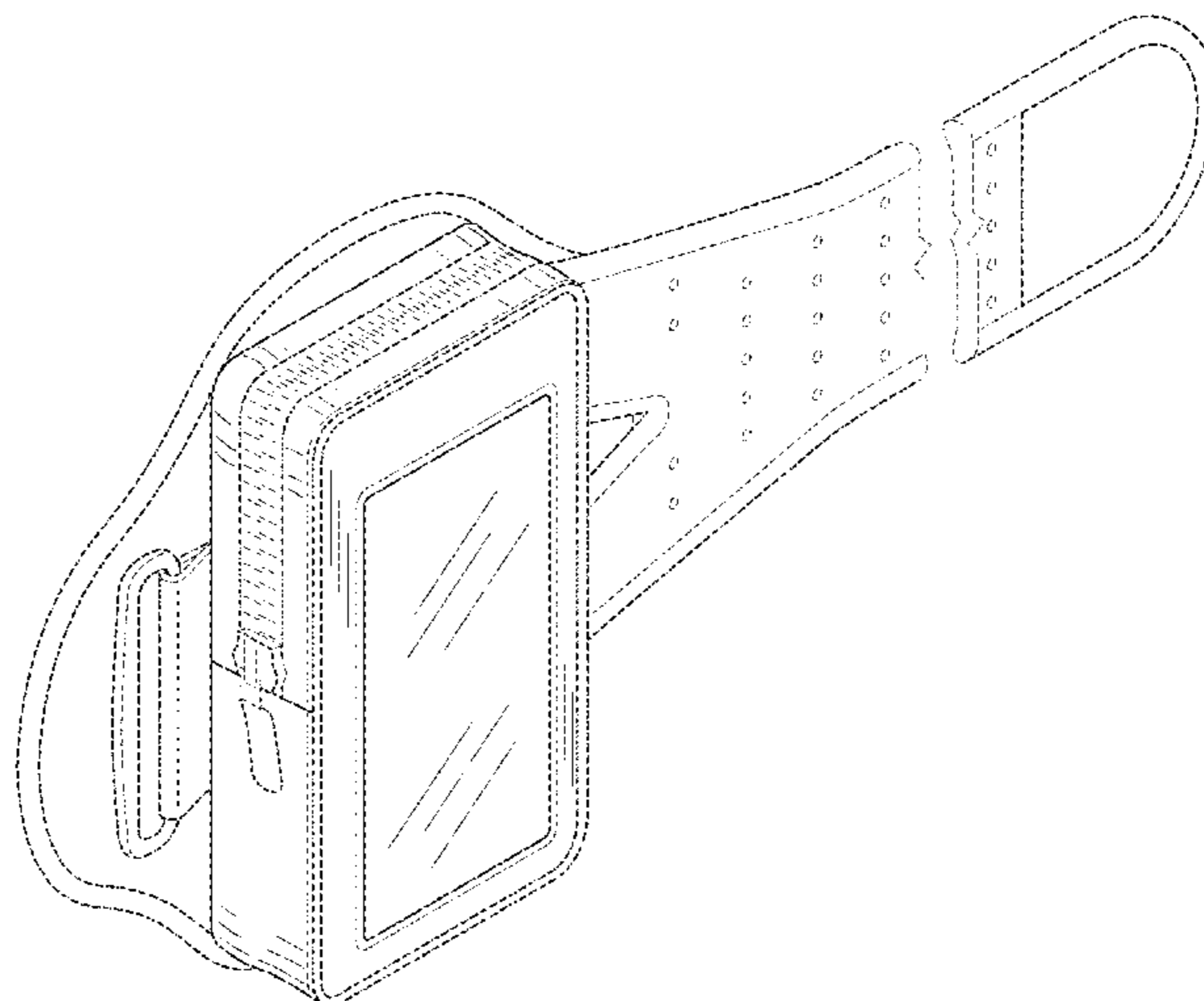
(56) **References Cited**

U.S. PATENT DOCUMENTS

1,564,881 A 12/1925 Ambert
D258,246 S 2/1981 Kravchenko
4,314,569 A 2/1982 Speno

(Continued)

1 Claim, 6 Drawing Sheets



(56)

References Cited

U.S. PATENT DOCUMENTS

D265,861 S 8/1982 Walasek
 4,432,477 A 2/1984 Haidt et al.
 4,509,667 A 4/1985 Meldrum
 4,601,418 A 7/1986 Gruzensky
 4,864,646 A 9/1989 Nesbit et al.
 4,871,597 A 10/1989 Hobson
 4,881,684 A 11/1989 Chinman
 4,966,320 A 10/1990 DeSantis et al.
 5,003,637 A 4/1991 Lonon
 5,009,347 A 4/1991 Phelps
 5,427,290 A 6/1995 Thatcher
 5,505,356 A 4/1996 Noriega et al.
 5,511,702 A 4/1996 Yang
 D371,675 S 7/1996 Carter
 D373,900 S 9/1996 Montgomery, Sr.
 5,586,706 A 12/1996 Ritzenhein
 5,586,969 A 12/1996 Yewer, Jr.
 5,588,571 A 12/1996 Mazzo
 5,595,167 A 1/1997 Scott
 5,625,904 A 5/1997 Kline
 5,725,486 A 3/1998 Engelman
 5,779,122 A 7/1998 Martinelli
 D406,455 S 3/1999 Wagner, II
 5,924,136 A 7/1999 Ogean
 5,937,841 A 8/1999 Summers et al.
 5,938,089 A 8/1999 Abreu-Marston
 D414,929 S 10/1999 Brucki
 6,047,064 A 4/2000 Lyons
 6,095,389 A 8/2000 Fenton et al.
 6,213,304 B1 4/2001 Juliussen
 6,227,424 B1 5/2001 Roegner
 6,330,961 B1 12/2001 Borja
 6,443,341 B1 9/2002 Rittmann
 6,568,574 B2 5/2003 Jones et al.
 6,629,628 B1 10/2003 Canepari et al.
 D490,974 S 6/2004 Wagner, II
 D512,834 S 12/2005 Wagner, II
 D513,865 S 1/2006 Wagner, II
 7,048,162 B2 5/2006 Frye et al.
 D541,042 S 4/2007 Andre et al.
 D541,044 S 4/2007 Wagner, II
 7,243,824 B2* 7/2007 Tabata 224/222
 D554,365 S 11/2007 Zhou
 7,320,318 B1 1/2008 Tentler
 D576,791 S 9/2008 Wagner, II
 D576,792 S 9/2008 Wagner, II
 D607,198 S 1/2010 Andre et al.
 D620,706 S 8/2010 Wagner, II
 D622,058 S 8/2010 Wagner, II
 D623,404 S 9/2010 Andre et al.
 7,810,683 B2* 10/2010 Chan 224/222
 D628,375 S 12/2010 Andre et al.
 D651,793 S 1/2012 Willows et al.
 D666,409 S 9/2012 Andre et al.

8,260,384 B2* 9/2012 Wulff et al. 455/575.6
 8,328,055 B1* 12/2012 Snyder 224/197
 D680,326 S 4/2013 Willows et al.
 D680,327 S 4/2013 Willows et al.
 D680,736 S 4/2013 Willows et al.
 8,413,613 B1 4/2013 Smith
 D681,945 S 5/2013 Willows et al.
 8,474,669 B2 7/2013 Rohrbach et al.
 2004/0144815 A1 7/2004 Reid
 2004/0206791 A1 10/2004 Rogers
 2004/0251285 A1 12/2004 O'Neill
 2005/0145657 A1 7/2005 Norberg
 2006/0041985 A1 3/2006 Godshaw
 2006/0266776 A1 11/2006 Plakke
 2007/0039086 A1 2/2007 Moore
 2008/0011794 A1 1/2008 Daniel
 2008/0017678 A1 1/2008 Anderson et al.
 2008/0216211 A1 9/2008 Dolby
 2009/0050246 A1 2/2009 Godshaw et al.
 2009/0300823 A1 12/2009 Connaghan et al.
 2010/0032462 A1 2/2010 Cameron et al.
 2012/0074184 A1 3/2012 Morgan et al.
 2012/0152990 A1 6/2012 Kulas
 2013/0256346 A1 10/2013 Rohrbach et al.

FOREIGN PATENT DOCUMENTS

DE 20308250 U1 8/2003
 EP 1011374 B1 6/2000
 EP 1704796 A1 9/2006
 GB 2157942 A 11/1985
 GB D4028762 4/2013
 JP 2003153053 A 5/2003
 JP 2004049293 A 2/2004
 JP 2009280951 A 12/2009
 KR 468009 7/2013
 TW 311303 5/2007
 WO WO-DM048120 A1 5/1999
 WO WO-DM049933 9/1999
 WO WO-2008/024521 A2 2/2008

OTHER PUBLICATIONS

Color photograph of Amphipod Armpod SmartView Plus (Sep. 19, 2012).
 Workout Armband—Premium 2013 Version, downloaded from the Internet at: <<http://www.accessorystoreoutlet.com/collections/iphone-5-accessories/products/workout-armband>>.
 PCT International Search Report for PCT/US07/19382.
 Written Opinion of the International Search Authority for International Application No. PCT/US07/19382.
 Extended European Search Report for EP 07 83 7756, dated Dec. 7, 2010.
 Extended European Search Report for Application No. 12155627, dated Apr. 5, 2013.

* cited by examiner

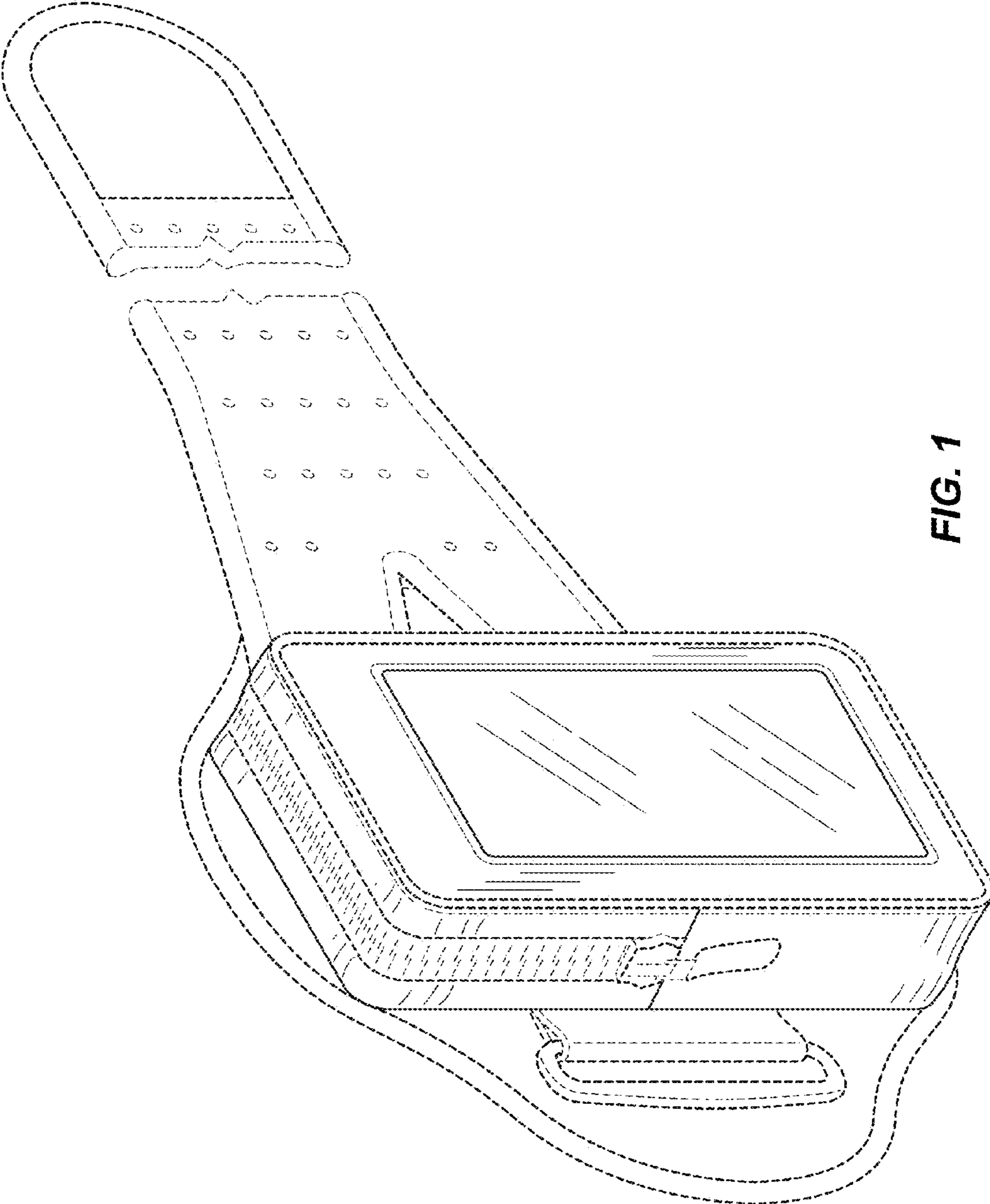


FIG. 1

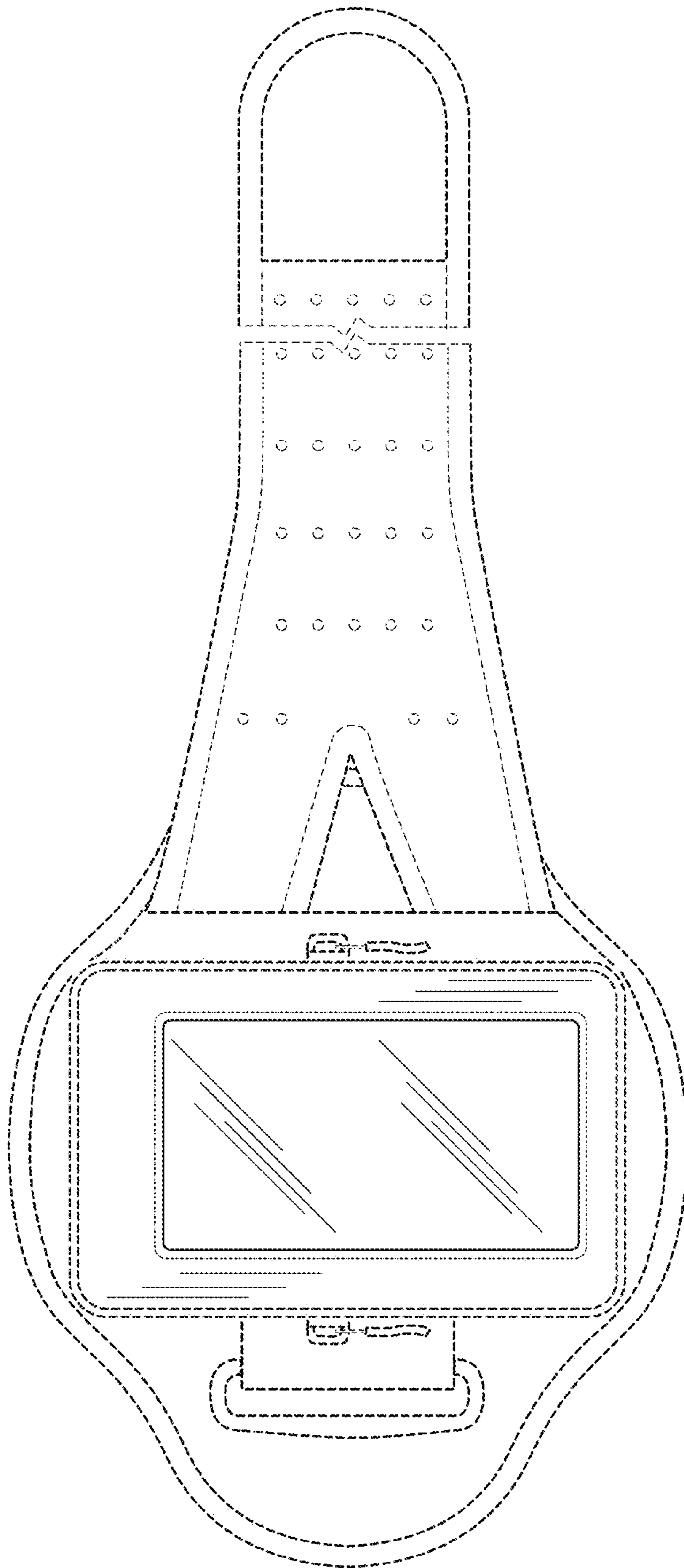


FIG. 2

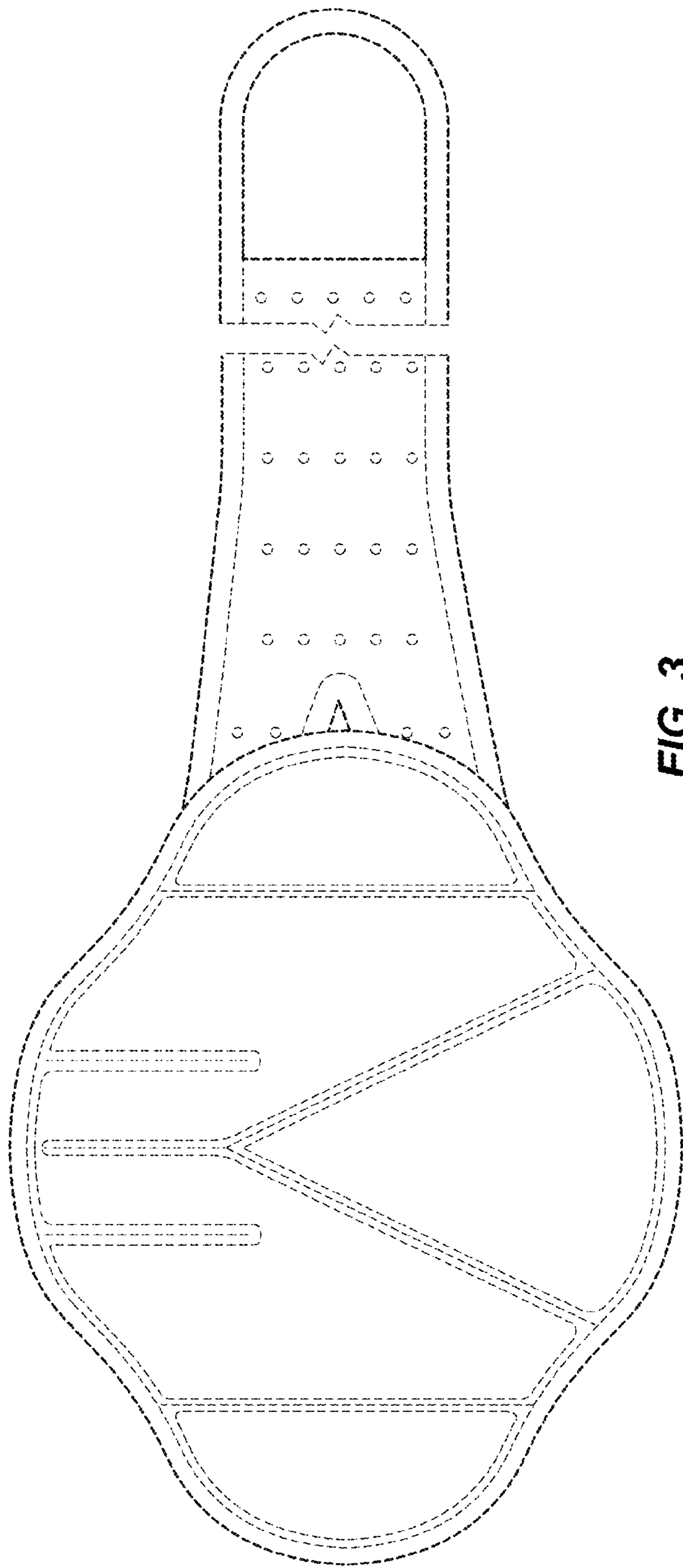


FIG. 3

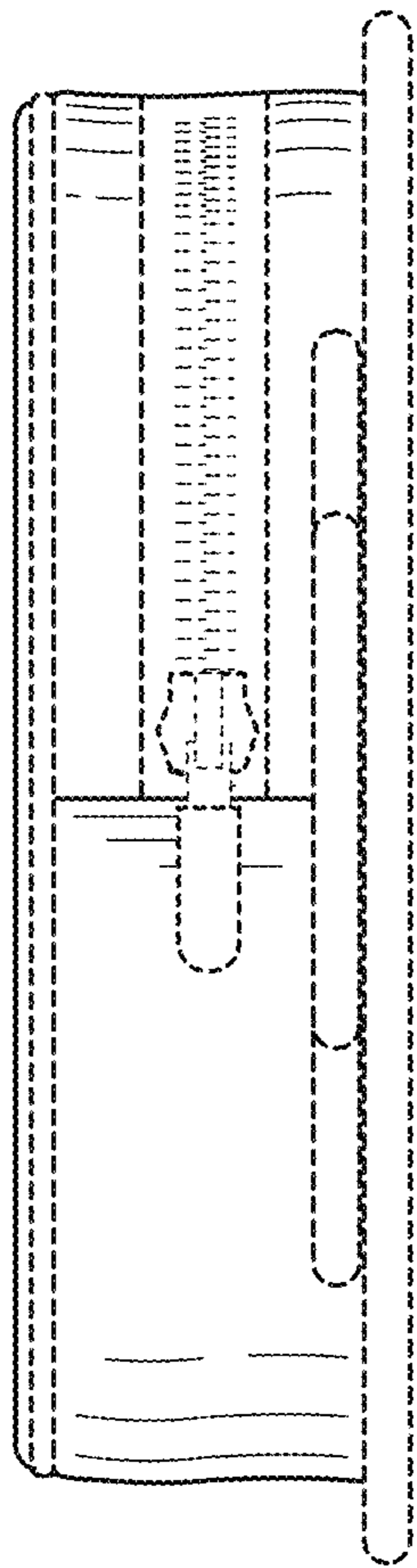


FIG. 4

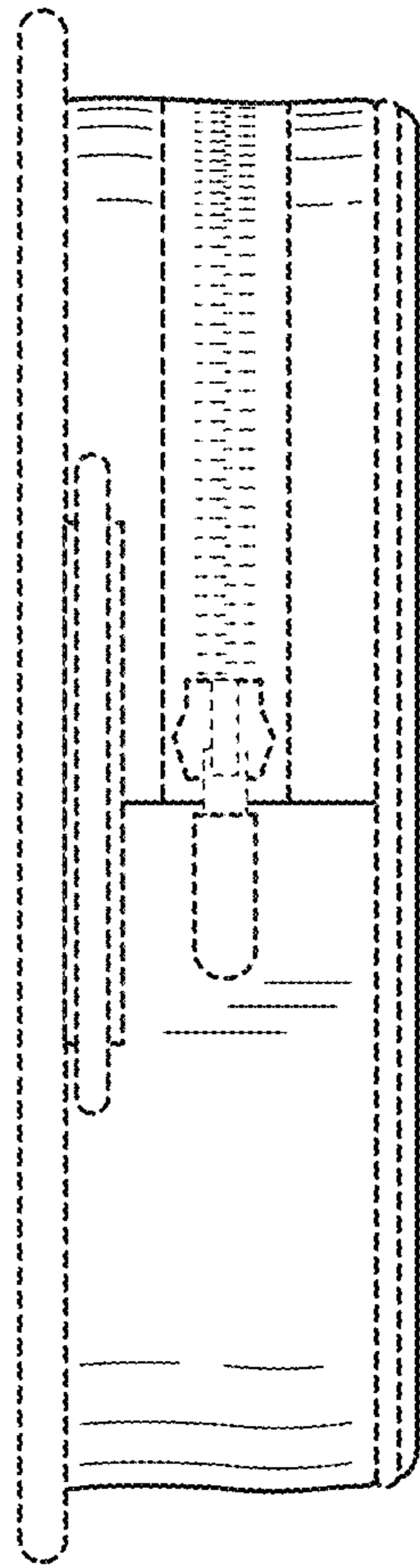


FIG. 5

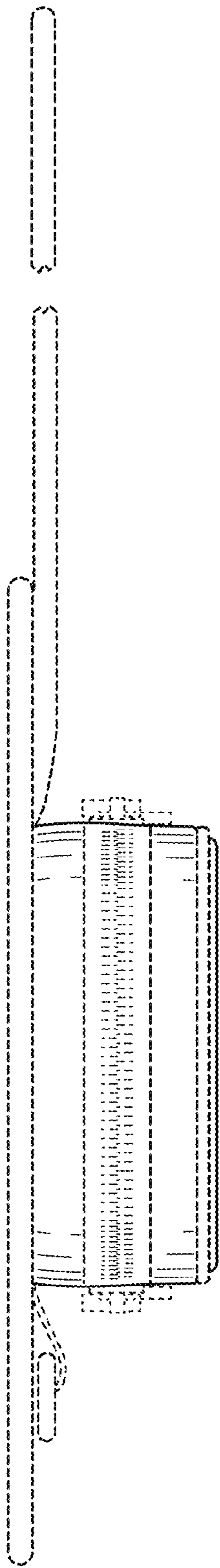


FIG. 6

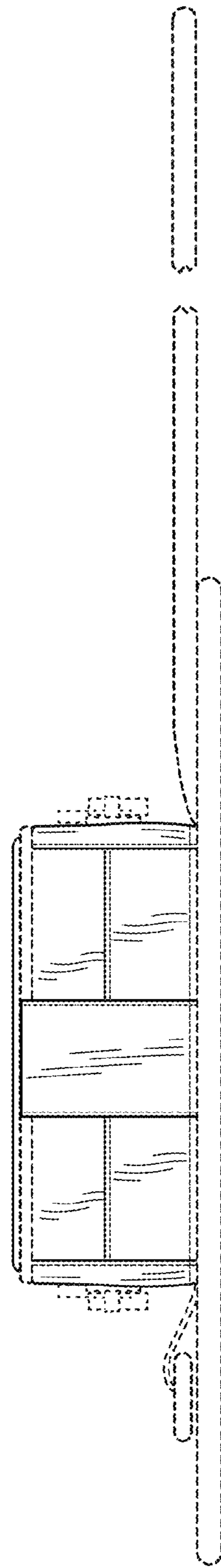


FIG. 7

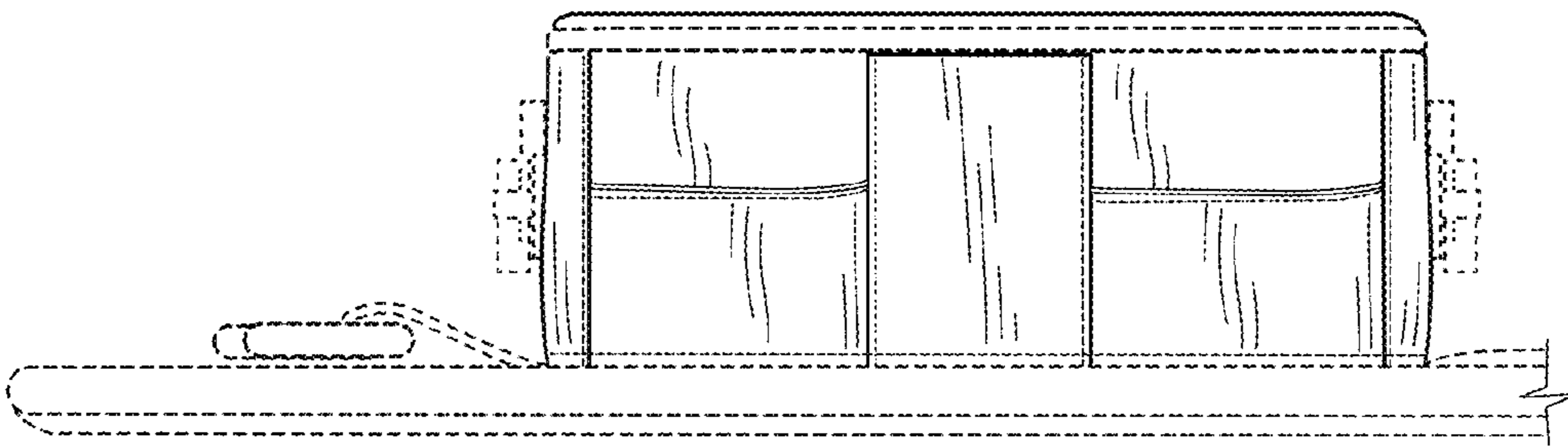


FIG. 8