



US00D741593S

(12) **United States Design Patent**
Brown et al.

(10) **Patent No.:** **US D741,593 S**
(45) **Date of Patent:** **** Oct. 27, 2015**

(54) **COLLAPSIBLE LIQUID STORAGE CONTAINER**

D722,869 S * 2/2015 Himmelsbach D9/432

* cited by examiner

(71) Applicant: **Aquamira Technologies, Inc.**,
Bellingham, WA (US)

Primary Examiner — Catheri Oliver-Garcia

(72) Inventors: **Dennis Browning Brown**, Logan, UT
(US); **Gary Allen Cruikshank**, Bend,
OR (US); **Richard Oman Evans**,
Hyrum, UT (US)

(74) *Attorney, Agent, or Firm* — Craig R. Miles; CR Miles
P.C.

(73) Assignee: **Aquamira Technologies, Inc.**,
Bellingham, WA (US)

(57) **CLAIM**

The ornamental design for a collapsible liquid storage con-
tainer, as shown and described.

(**) Term: **14 Years**

DESCRIPTION

(21) Appl. No.: **29/489,960**

FIG. 1 is an exploded front and left side perspective of a
collapsible liquid storage container embodying our new
design;

(22) Filed: **May 5, 2014**

FIG. 2 is an exploded front elevation view thereof;

(51) **LOC (10) Cl.** **09-02**

FIG. 3 is an exploded rear elevation view thereof;

(52) **U.S. Cl.**

FIG. 4 is an exploded right side elevation view thereof;

USPC **D3/202; D9/432**

FIG. 5 is an exploded left side elevation view thereof;

(58) **Field of Classification Search**

FIG. 6 is a top plan view thereof;

USPC **D3/202; D9/417, 431, 708, 770;**
229/108, 117.3, 117.26, 125.39

FIG. 7 is a bottom plan view thereof;

See application file for complete search history.

FIG. 8 is a top front and left side perspective of a collapsible
liquid storage container embodying our new design;

(56) **References Cited**

U.S. PATENT DOCUMENTS

D372,672 S	*	8/1996	Ishimoto	D9/770
D454,492 S	*	3/2002	Dammers	D9/417
D482,977 S	*	12/2003	Boldrini	D9/560
D628,884 S	*	12/2010	Smith	D9/430
D652,293 S	*	1/2012	Sander	D9/430
D695,607 S	*	12/2013	Karvalis	D9/431
D714,636 S	*	10/2014	Dagnino	D9/417
D717,644 S	*	11/2014	Franic	D9/431

FIG. 9 is a bottom front and left side perspective view thereof;

FIG. 10 is a front elevation view thereof;

FIG. 11 is a rear elevation view thereof;

FIG. 12 is a right side elevation view thereof;

FIG. 13 is a left side elevation view thereof;

FIG. 14 is a top plan view thereof; and,

FIG. 15 is a bottom plan view thereof.

The broken lines shown are included for the purpose of illus-
trating the unclaimed portions of the article and form no part
of the claim.

1 Claim, 6 Drawing Sheets

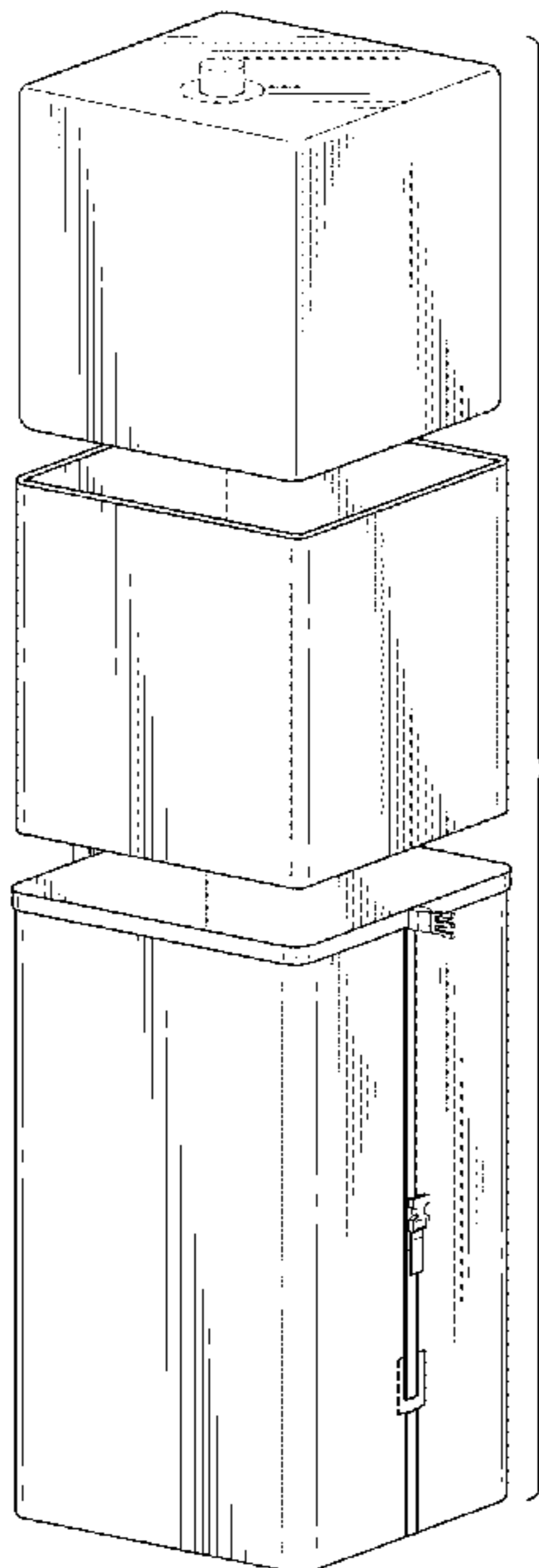


FIG. 1

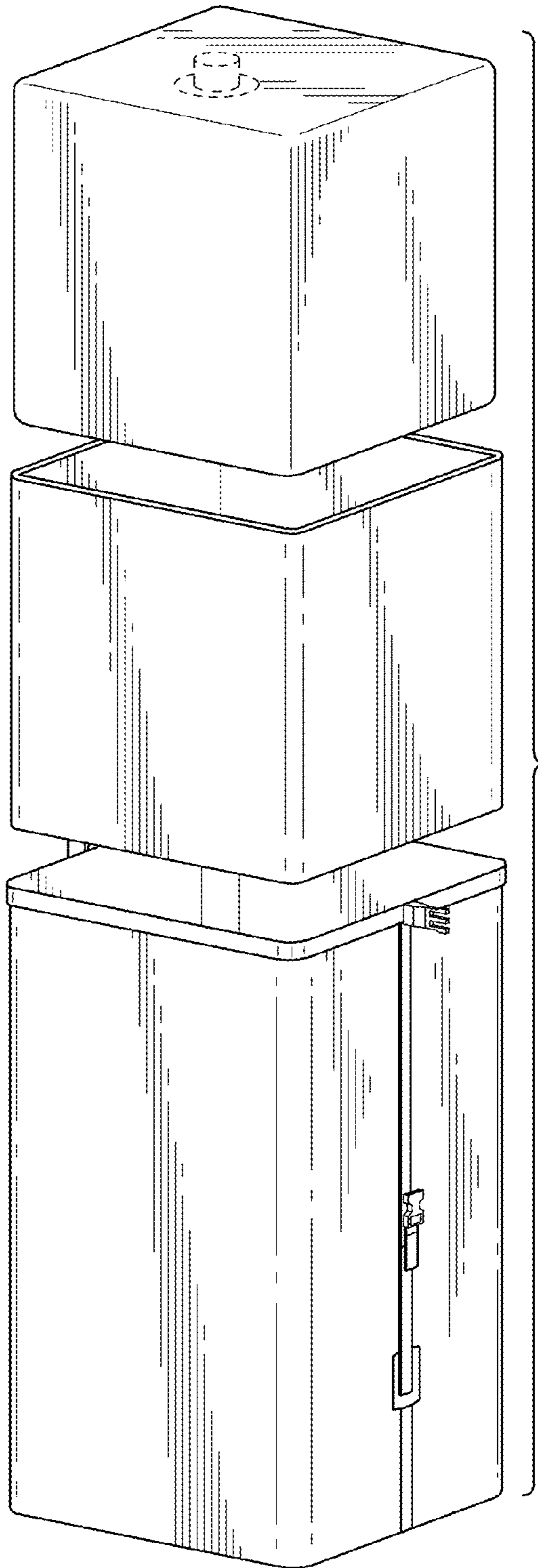


FIG. 2

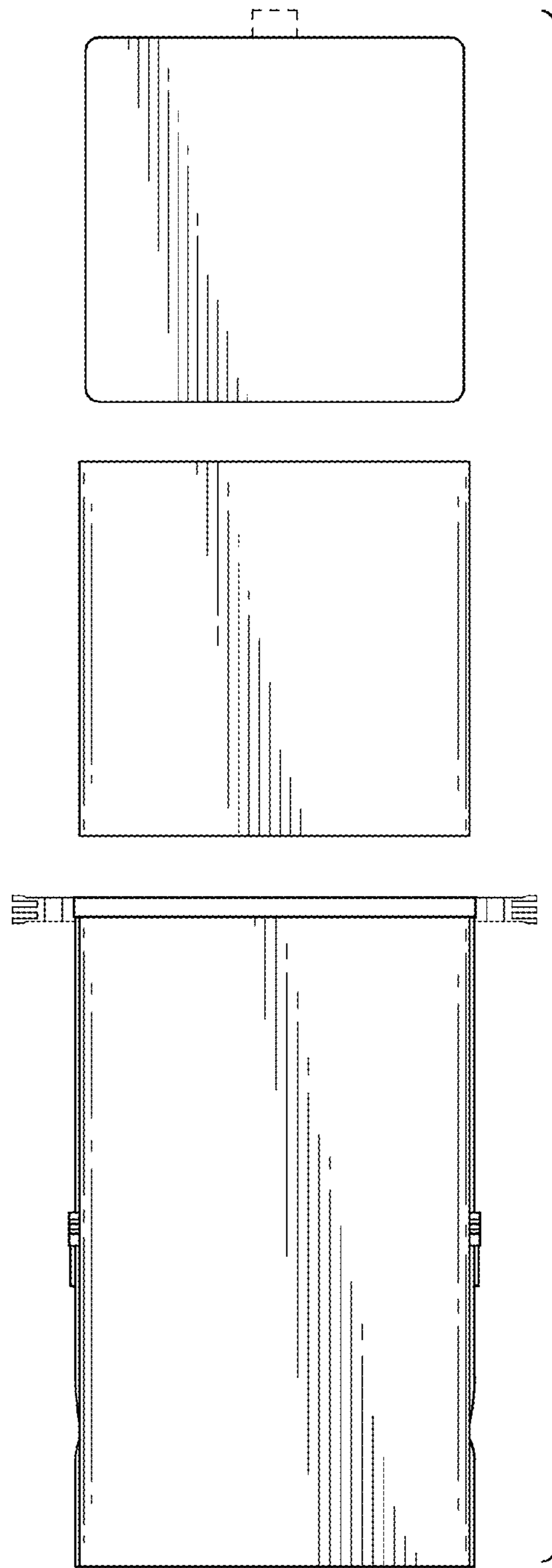


FIG. 3

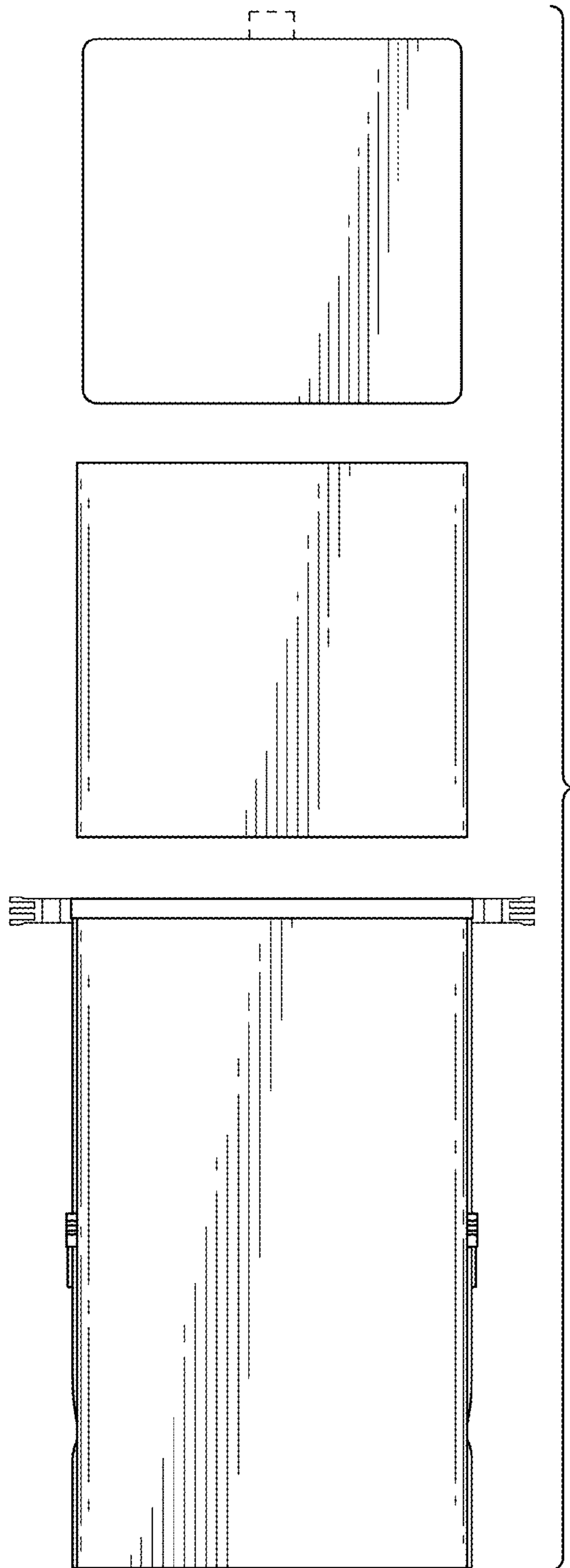


FIG. 4

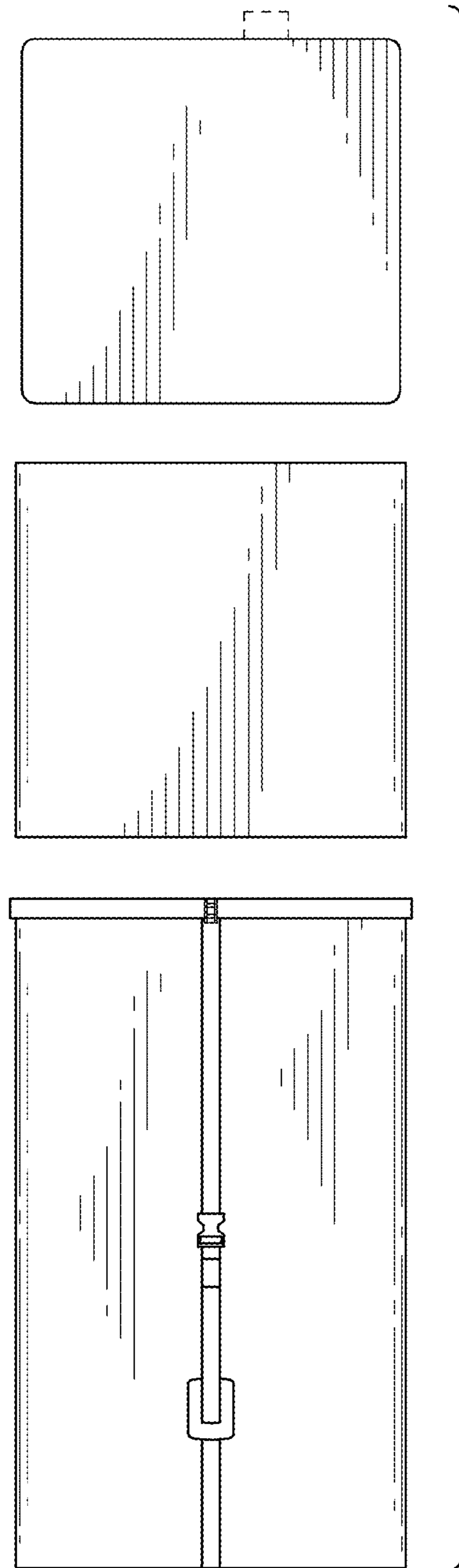


FIG. 5

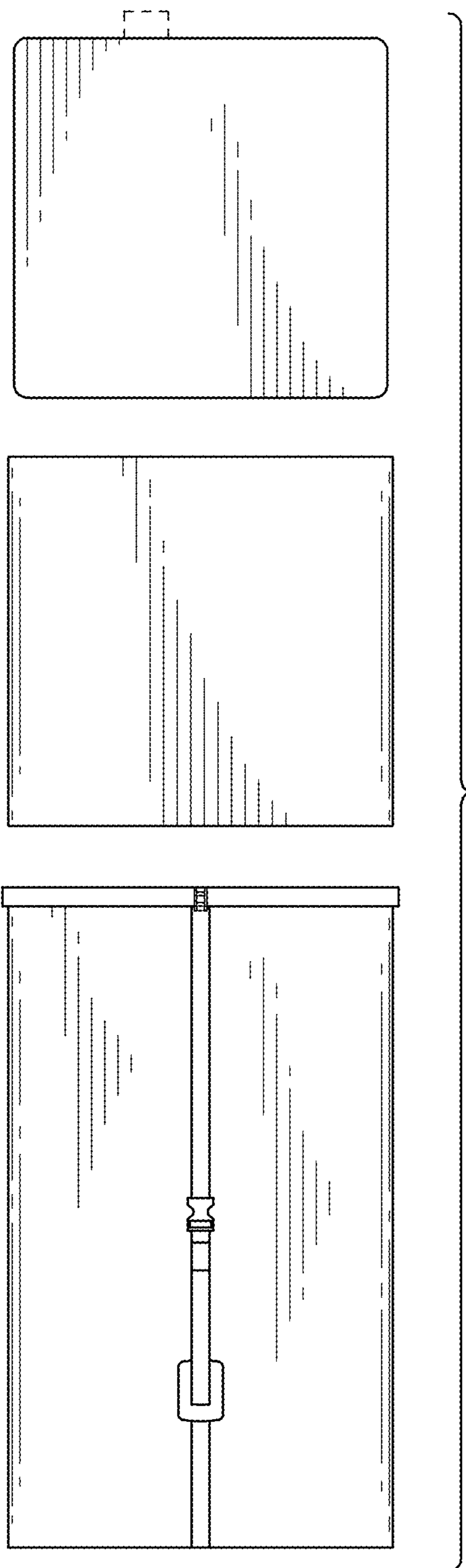


FIG. 6

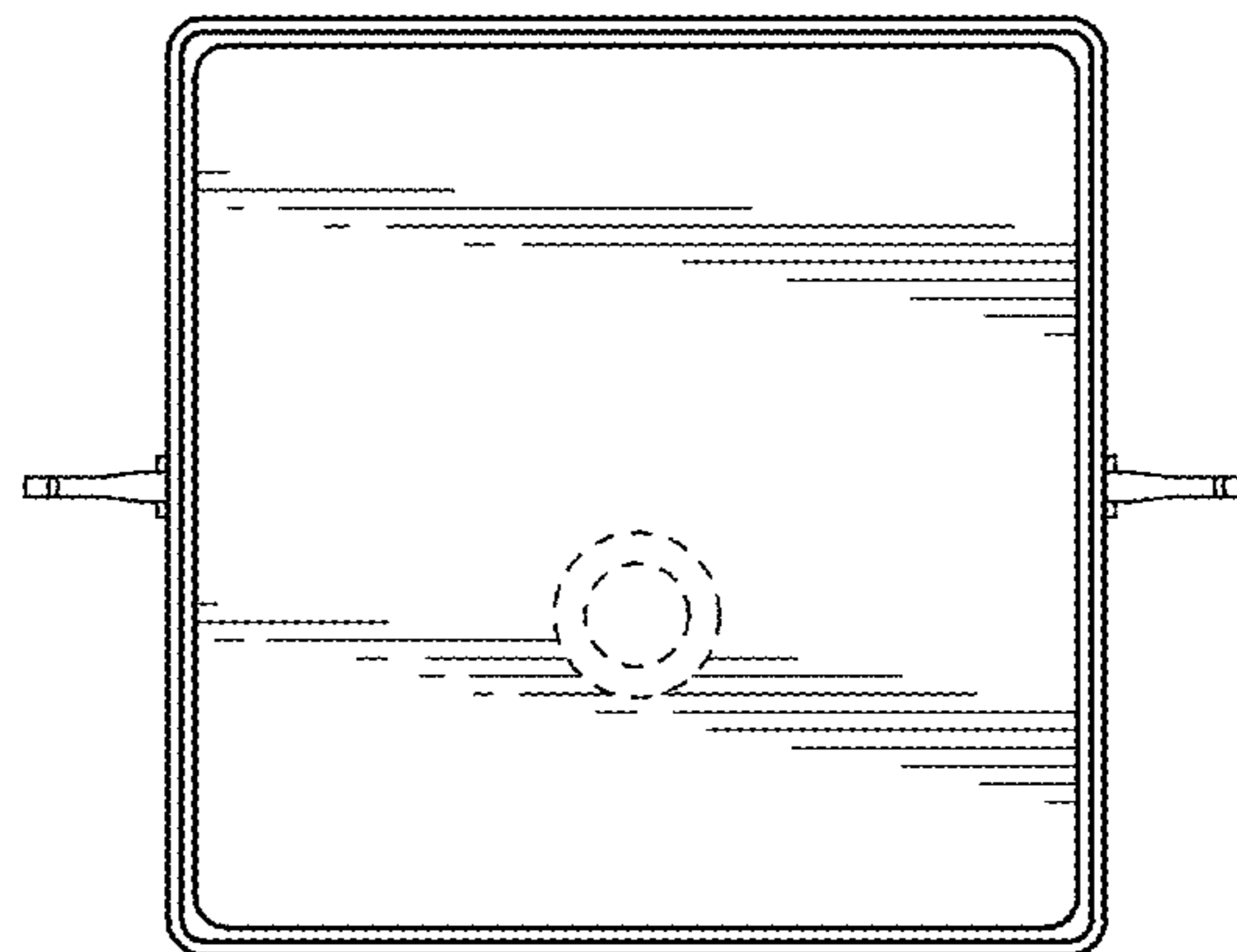


FIG. 7

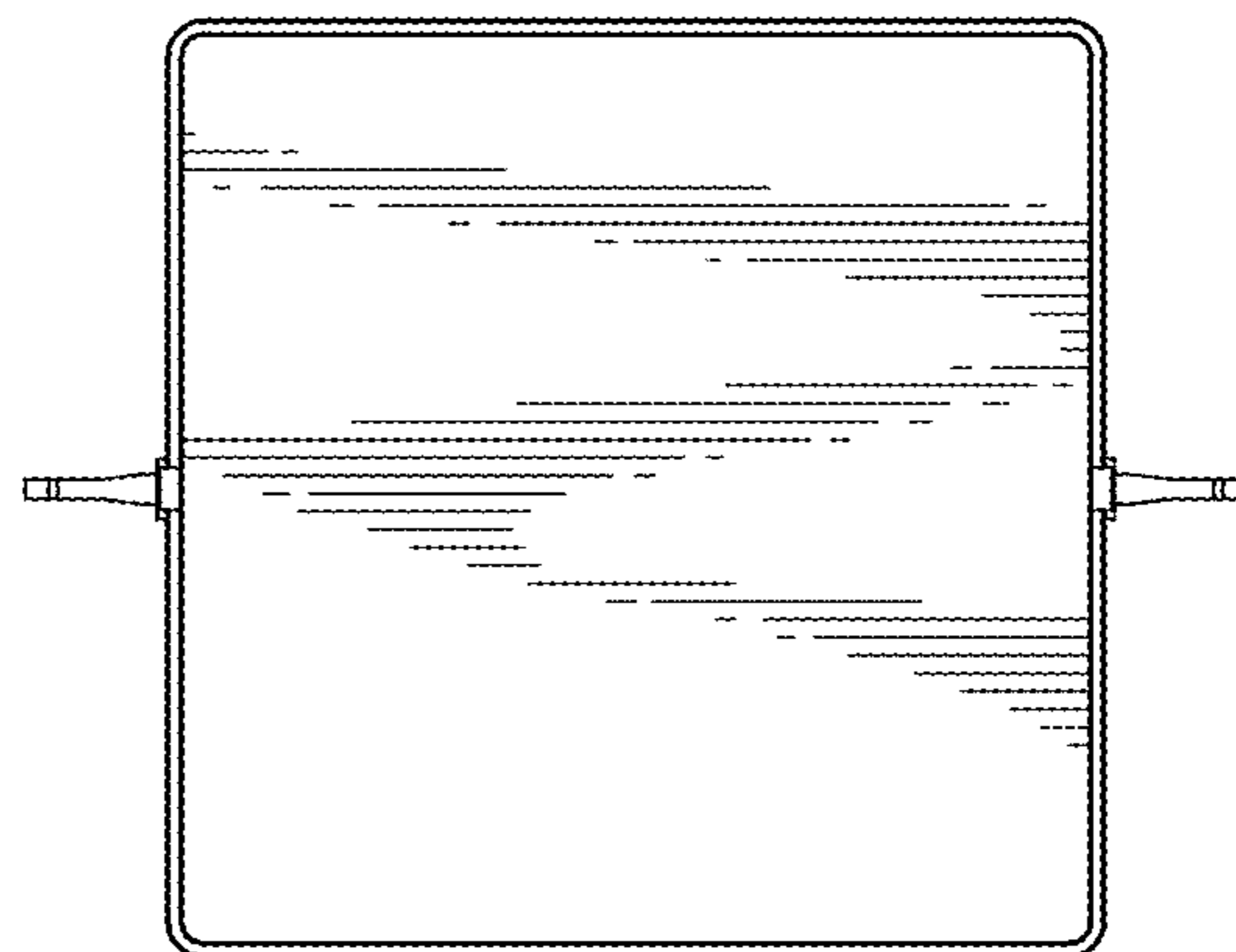


FIG. 8

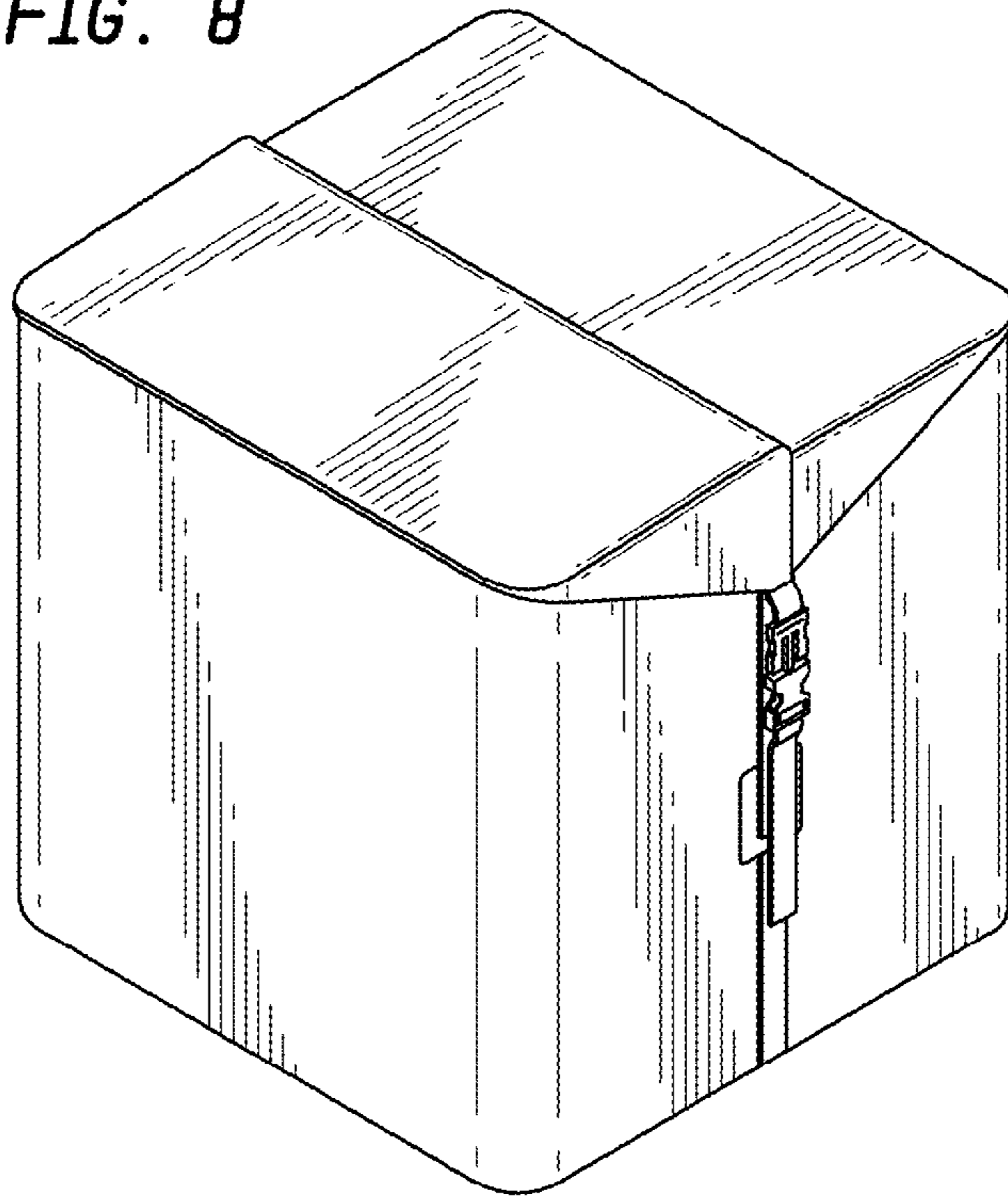


FIG. 9

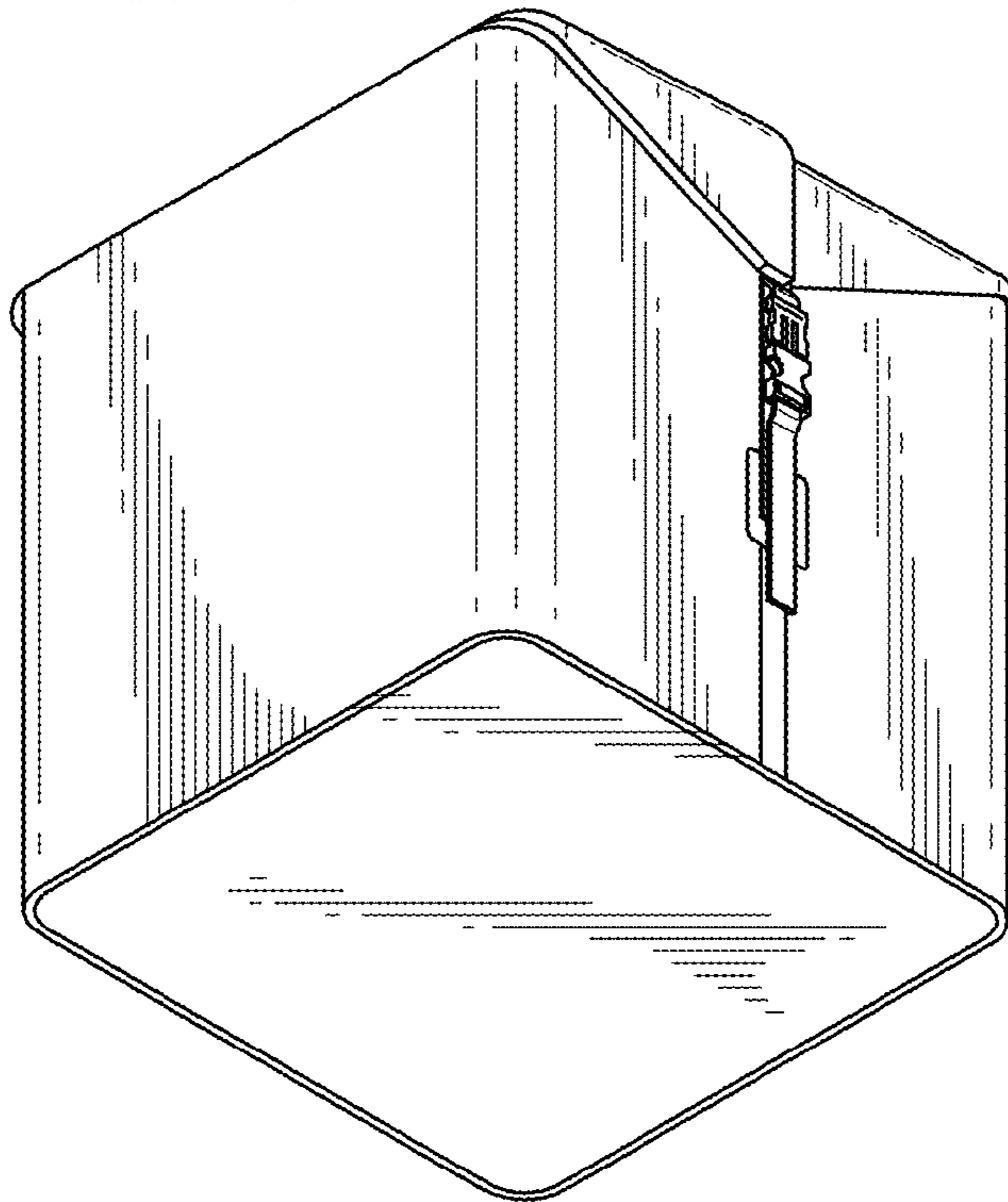


FIG. 10

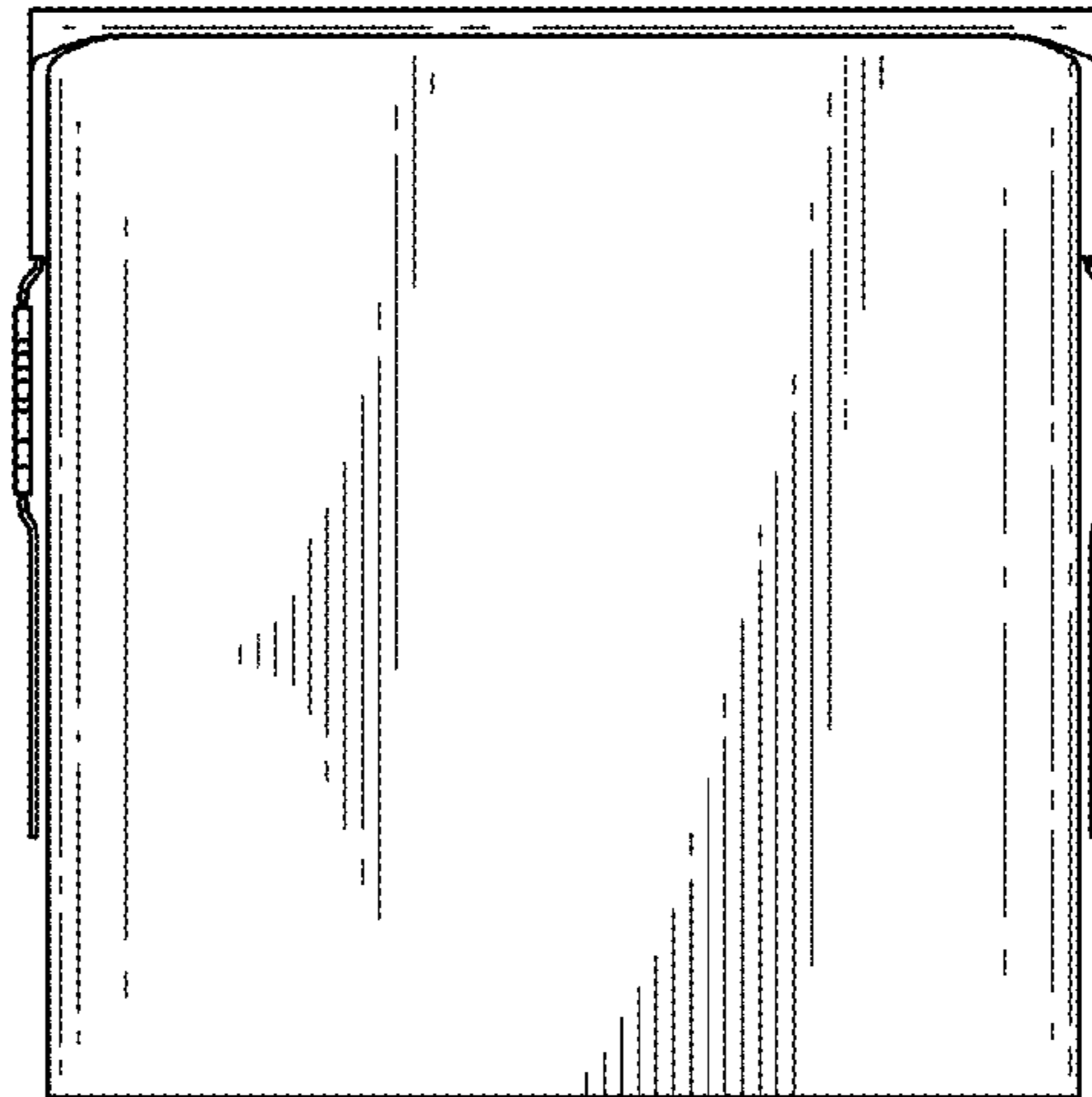


FIG. 11

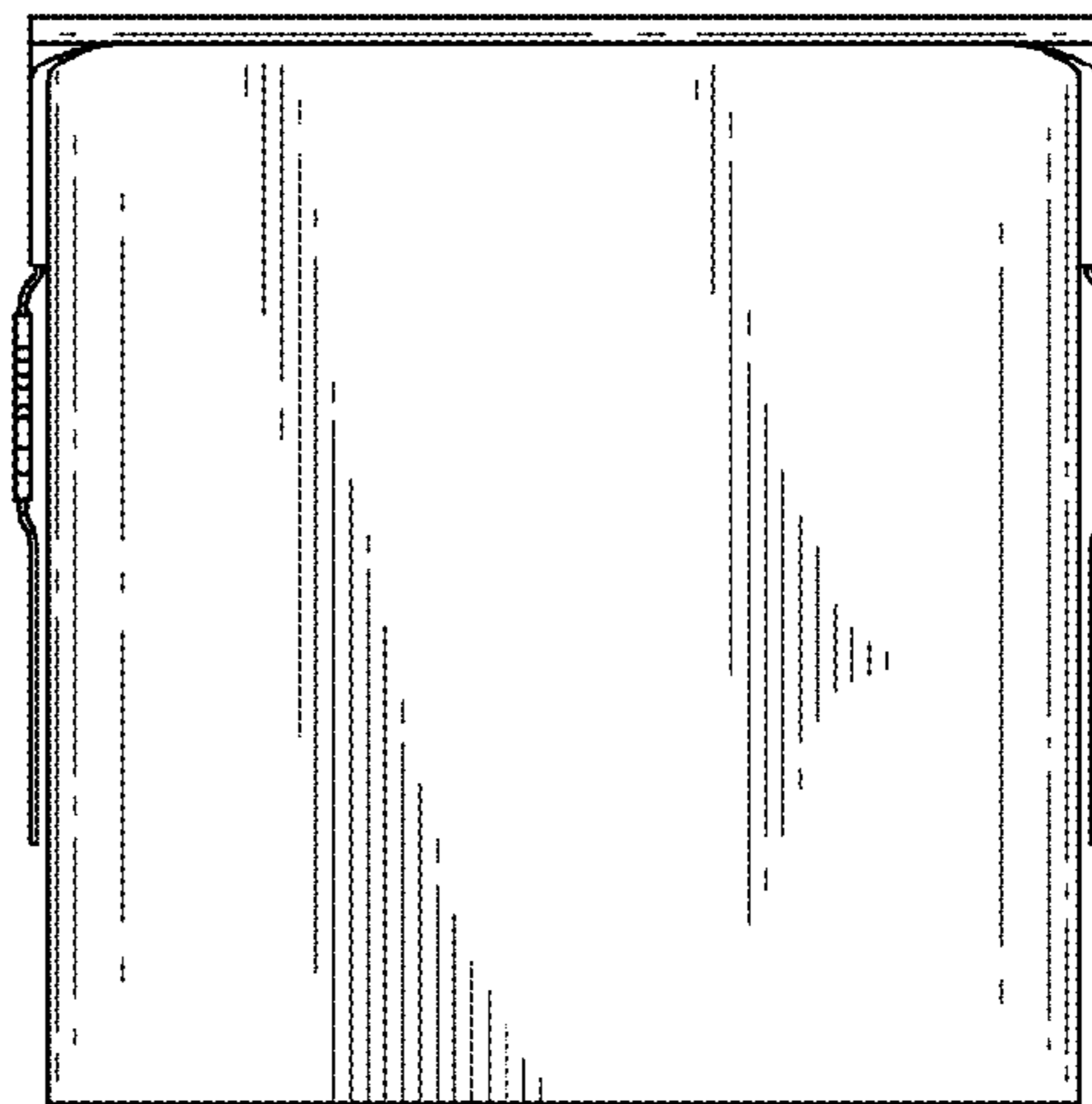


FIG. 12

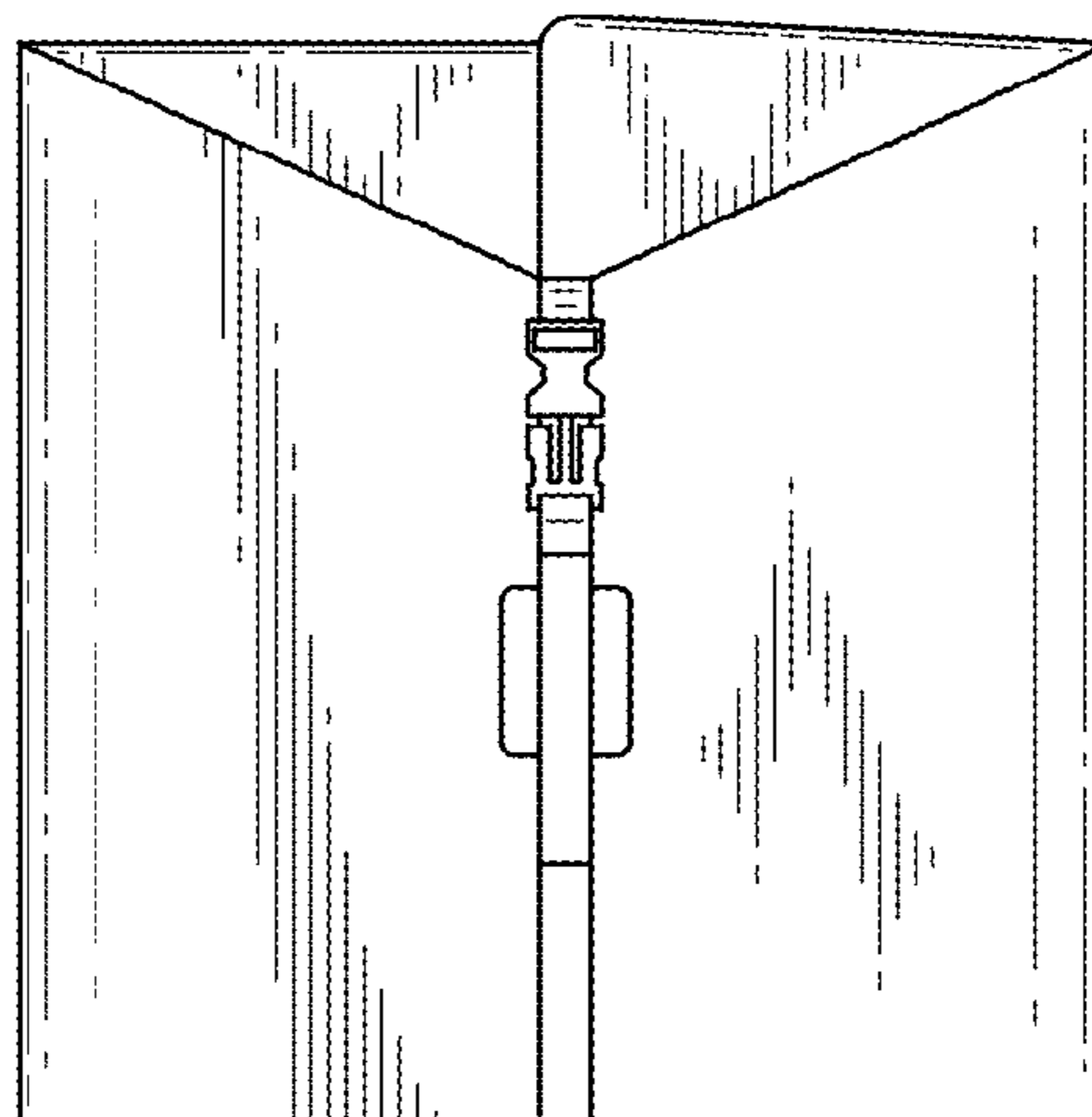


FIG. 13

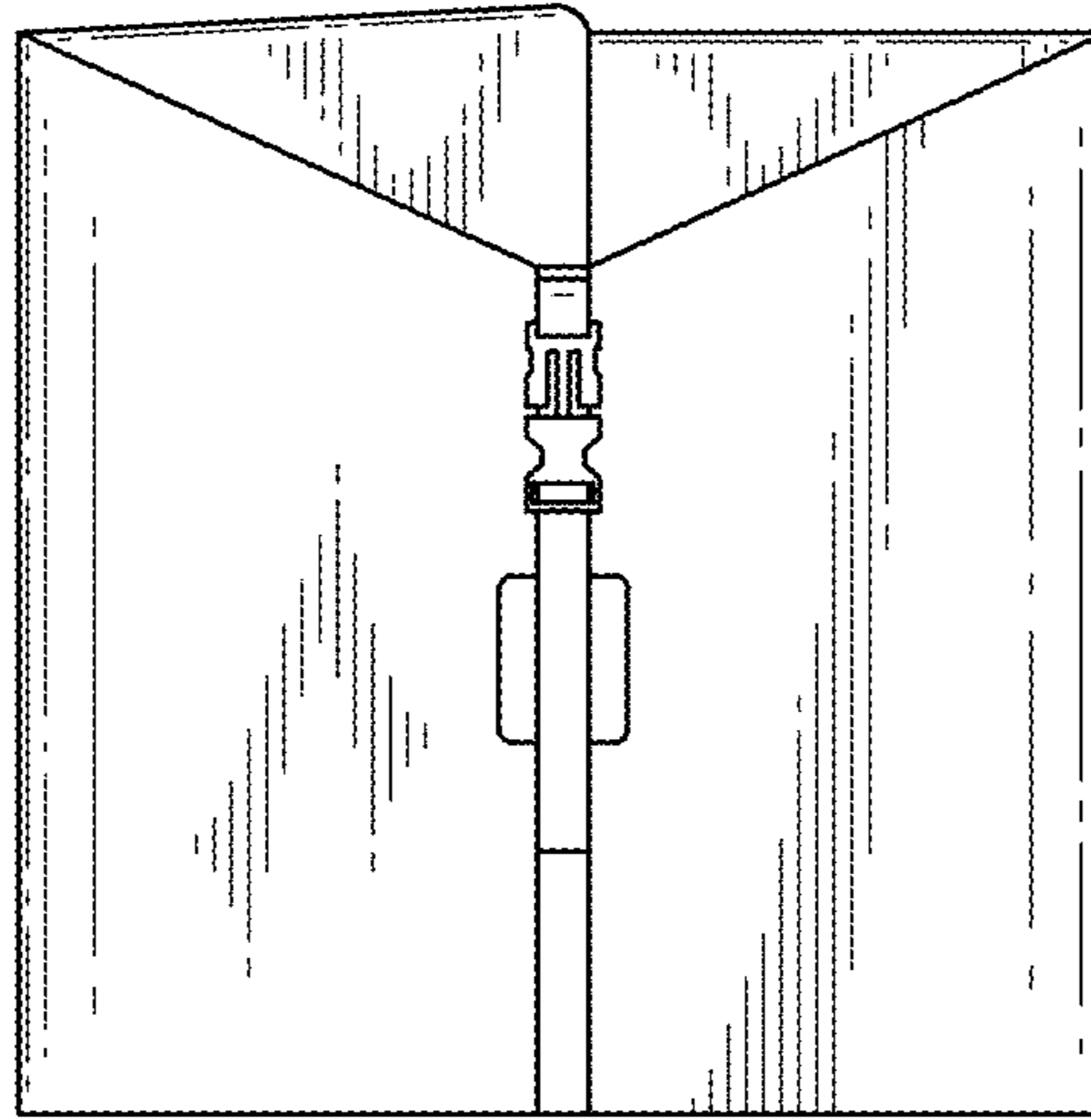


FIG. 14

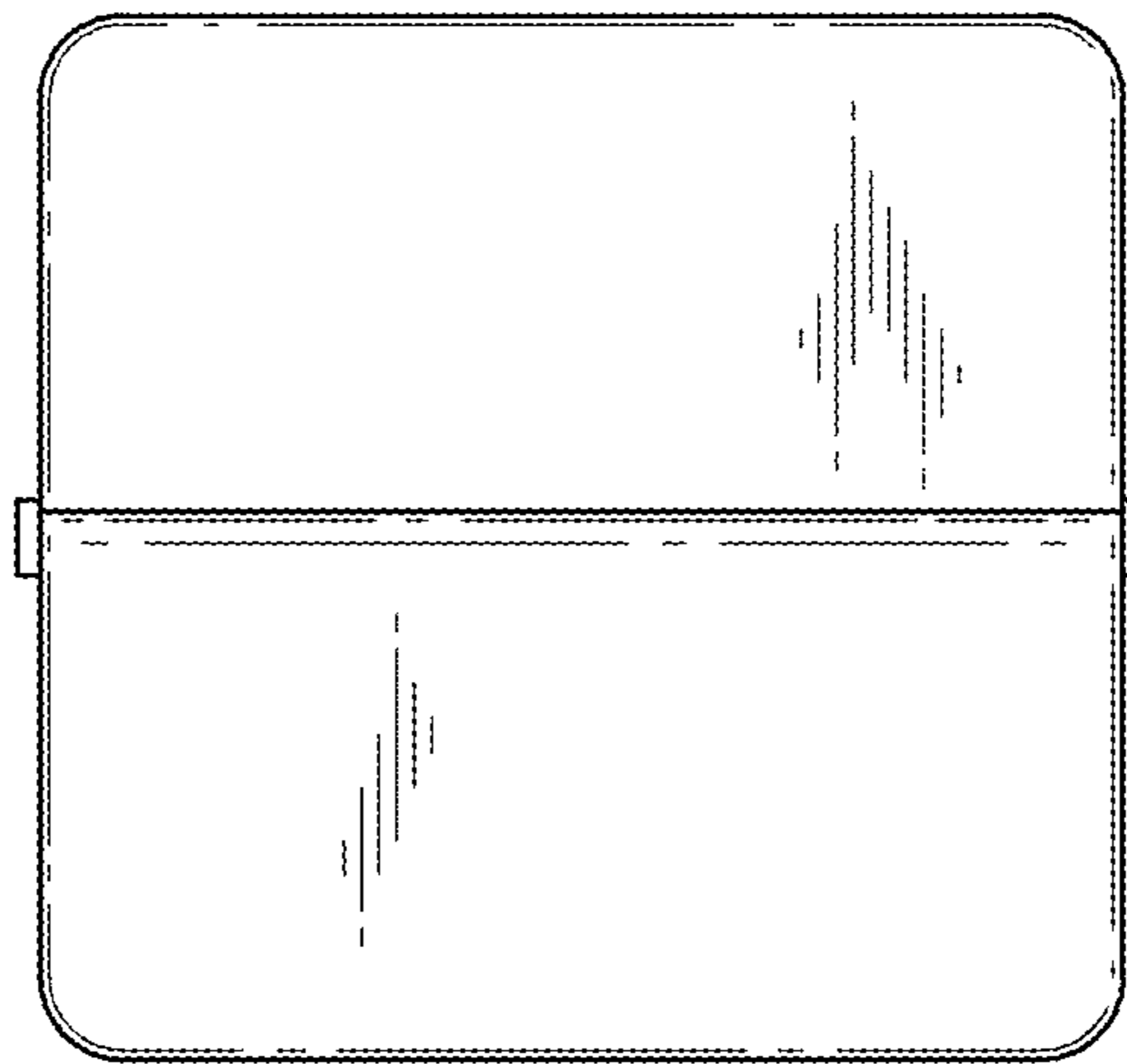


FIG. 15

