



US00D741590S

(12) **United States Design Patent**  
**Varga et al.**

(10) **Patent No.:** **US D741,590 S**  
(45) **Date of Patent:** **\*\* Oct. 27, 2015**

(54) **UMBRELLA WITH HOOK AND LOOP FASTENER EDGES DESIGN**

D475,524 S \* 6/2003 Clarke ..... D3/5  
D478,416 S \* 8/2003 Clarke ..... D3/5  
D484,678 S \* 1/2004 You ..... D3/5  
D485,674 S \* 1/2004 Liu ..... D3/5

(71) Applicants: **Linda Moravec Varga**, San Gabriel, CA (US); **Alexander L. Varga**, San Gabriel, CA (US)

(Continued)

(72) Inventors: **Linda Moravec Varga**, San Gabriel, CA (US); **Alexander L. Varga**, San Gabriel, CA (US)

FOREIGN PATENT DOCUMENTS

CN 301620123 \* 7/2011  
CN 301929057 \* 5/2012  
CN 301985501 \* 7/2012

(\*\*) Term: **14 Years**

OTHER PUBLICATIONS

(21) Appl. No.: **29/492,349**

Target: Cantilever Patio Umbrella \$210, Announced May 20, 2012, [Site Visited Jun. 16, 2015] <http://myfrugaladventures.com/2012/05/target-cantilever-patio-umbrella-210-shipped/>.\*

(22) Filed: **May 30, 2014**

(Continued)

(51) **LOC (10) Cl.** ..... **03-03**

(52) **U.S. Cl.**  
USPC ..... **D3/5**

(58) **Field of Classification Search**  
USPC ..... D3/5, 10; 446/246; 135/20.1, 21, 25.33, 135/910, 6, 16, 31; 362/102; 248/530  
CPC ..... A63H 13/20; A45B 23/00; A45B 19/10; A45B 3/04; A45B 3/00; A45B 25/02; E04H 6/04; A01K 97/10  
See application file for complete search history.

*Primary Examiner* — Eric Goodman  
*Assistant Examiner* — Luqman McNeil  
(74) *Attorney, Agent, or Firm* — The Law Firm of Andrea Hence Evans, LLC

(57) **CLAIM**  
The ornamental design for an umbrella with hook and loop fastener edges design, as shown and described.

(56) **References Cited**

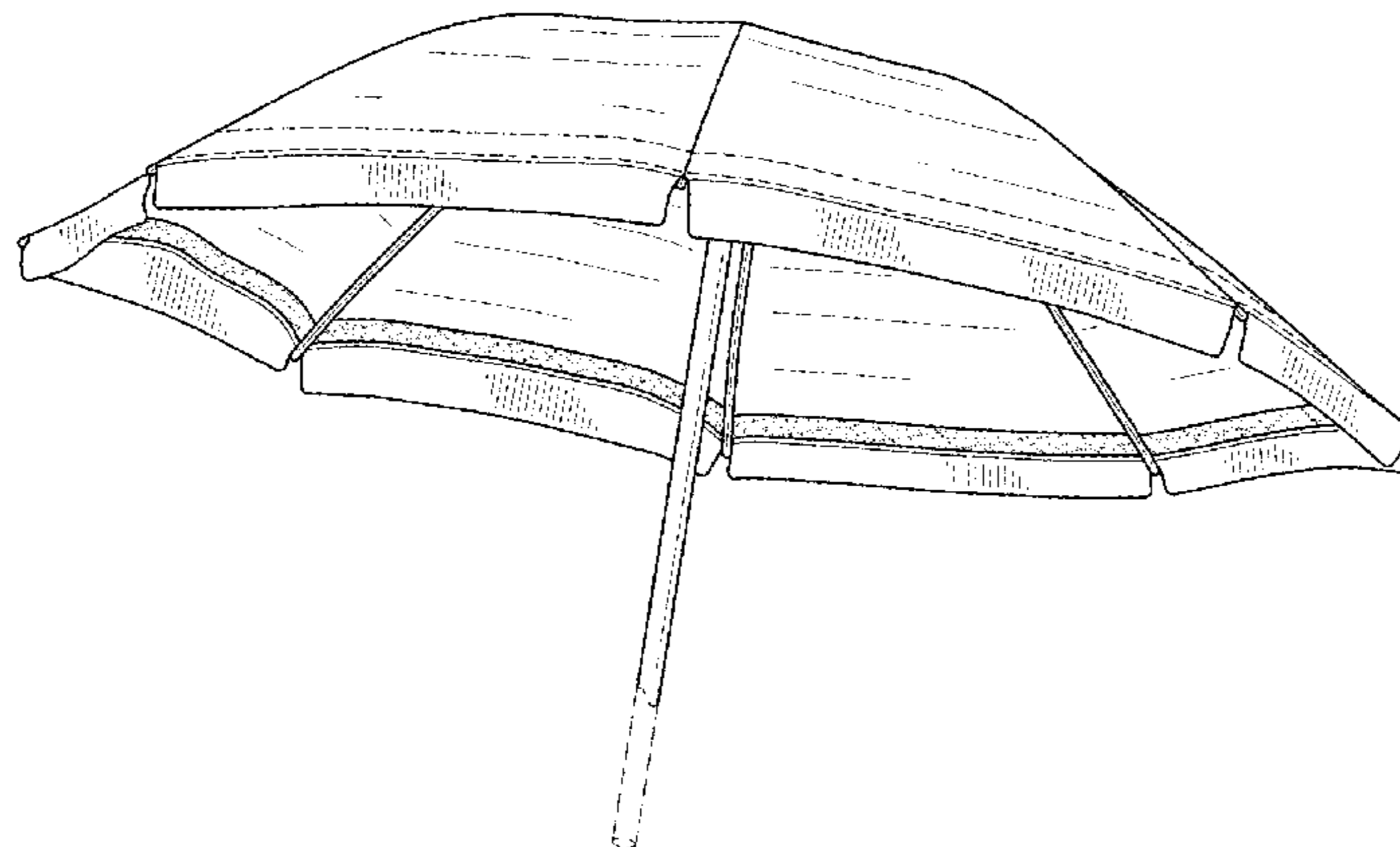
**DESCRIPTION**

U.S. PATENT DOCUMENTS

734,311 A 7/1903 Fbrroussat  
1,615,663 A \* 1/1927 Varga ..... 446/246  
1,774,909 A 9/1930 Wells  
D158,765 S \* 5/1950 Katz ..... D3/5  
D172,743 S \* 8/1954 Entin et al. .... D3/5  
3,044,478 A \* 7/1962 Russell ..... 135/20.1  
3,120,238 A \* 2/1964 Glatz ..... 135/21  
D234,729 S \* 4/1975 Weber ..... D3/10  
5,053,931 A \* 10/1991 Rushing ..... 362/102  
D371,901 S \* 7/1996 Perls ..... D3/5  
D393,539 S \* 4/1998 Bridgen ..... D3/5  
D398,443 S \* 9/1998 Bolle ..... D3/5  
D409,369 S \* 5/1999 Vega ..... D3/5  
6,234,186 B1 \* 5/2001 Tsai ..... 135/25.33  
6,354,554 B1 \* 3/2002 Hollenbeck ..... 248/530

FIG. 1 is a perspective view of the umbrella with hook and loop fastener edges design of the present invention; FIG. 2 is a front view of the umbrella with hook and loop fastener edges design of FIG. 1; FIG. 3 is a top view of the umbrella with hook and loop fastener edges design of FIG. 1; and, FIG. 4 is a bottom view of the umbrella with hook and loop fastener edges design of FIG. 1. The broken line shown on the outer surface of the umbrella represents stitching and forms part of the claimed design. All other broken lines are included for the purpose of illustrating portions of the article and forms no part of the claimed design.

**1 Claim, 4 Drawing Sheets**



(56)

**References Cited**

U.S. PATENT DOCUMENTS

D497,478 S \* 10/2004 Clarke ..... D3/5  
D497,479 S \* 10/2004 Yu ..... D3/5  
D498,917 S \* 11/2004 Goldwitz ..... D3/10  
D503,036 S \* 3/2005 Di Cesare ..... D3/5  
6,953,043 B2 \* 10/2005 Yu ..... 135/20.1  
D513,117 S \* 12/2005 Raede ..... D3/5  
6,988,504 B1 \* 1/2006 Goldwitz ..... 135/20.1  
D521,229 S \* 5/2006 Mariano ..... D3/5  
7,406,975 B1 \* 8/2008 Carrier, Jr. .... 135/16  
D584,041 S 1/2009 Varga  
D587,447 S \* 3/2009 You ..... D3/5  
7,533,679 B2 \* 5/2009 Harbaugh ..... 135/16  
7,604,015 B2 \* 10/2009 Fraser ..... 135/31

D618,898 S \* 7/2010 Hammond ..... D3/5  
D629,603 S \* 12/2010 Liu ..... D3/5  
8,042,561 B2 10/2011 Varga  
D652,615 S \* 1/2012 Paolucci ..... D3/5  
D674,179 S \* 1/2013 Joo ..... D3/5  
2005/0121063 A1 \* 6/2005 Chang ..... 135/910  
2009/0283120 A1 \* 11/2009 Varga et al. .... 135/16

OTHER PUBLICATIONS

7.5 Foot Hexagonal Teal Base Bright Aluminium Garden Umbrella,  
Announced Jul. 8, 2010, [Site Visited Jun. 16, 2015] [http://www.houzz.com/photos/2713348/75-Foot-Hexagonal-Teal-Base-Bright-Aluminium-Garden-Umbrella-outdoor-umbrellas.\\*](http://www.houzz.com/photos/2713348/75-Foot-Hexagonal-Teal-Base-Bright-Aluminium-Garden-Umbrella-outdoor-umbrellas.*)

\* cited by examiner

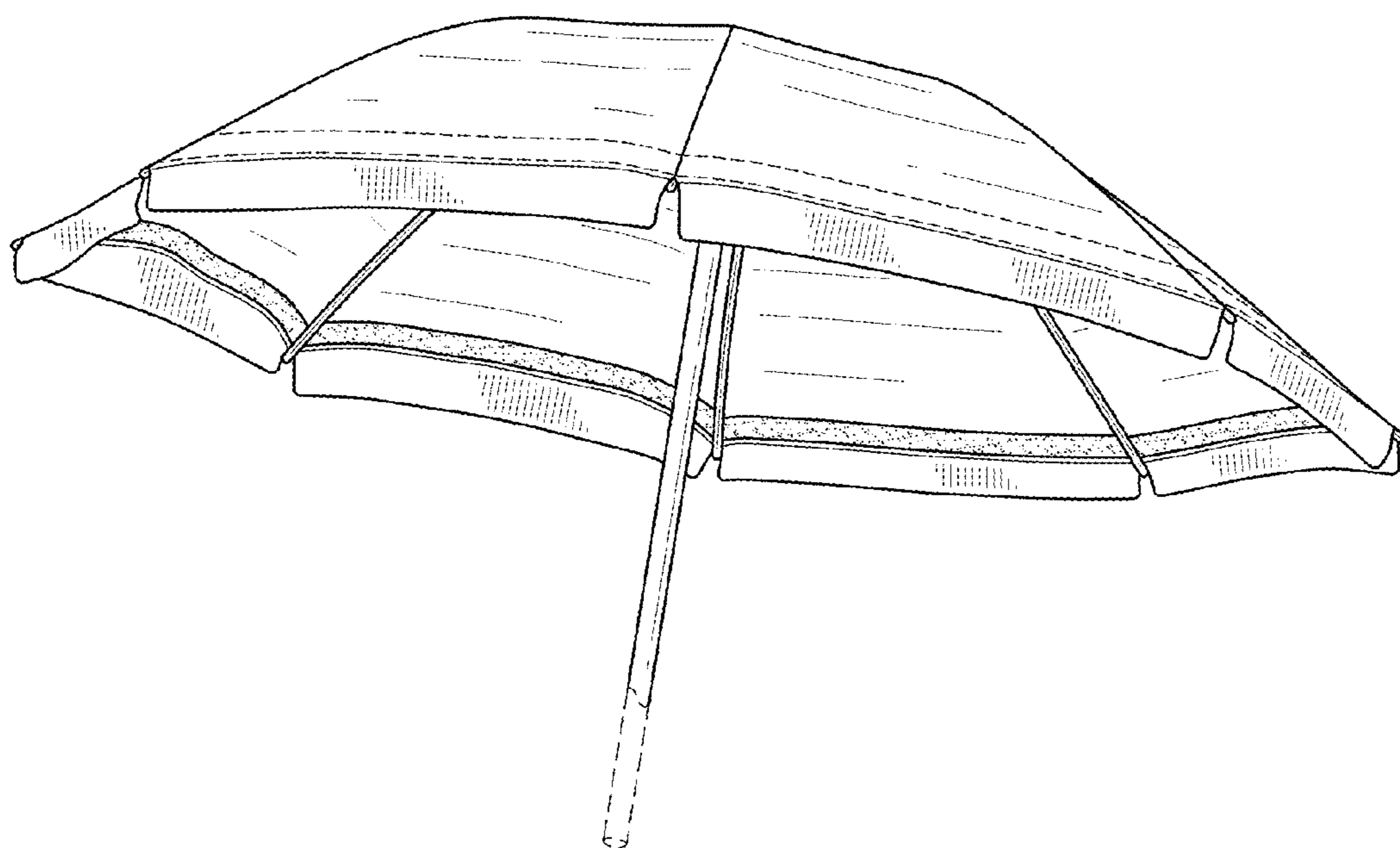


FIG.1

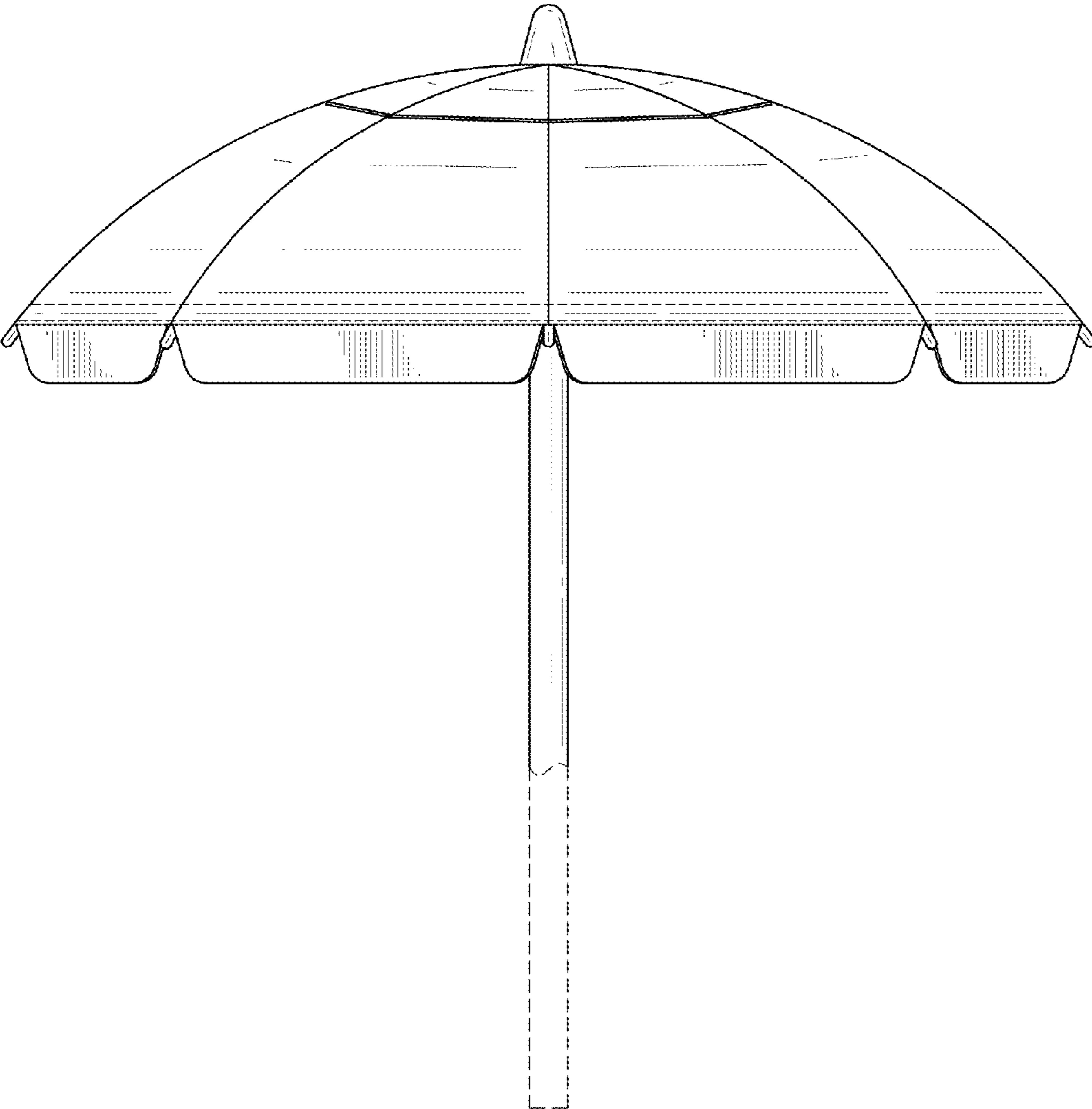


FIG.2

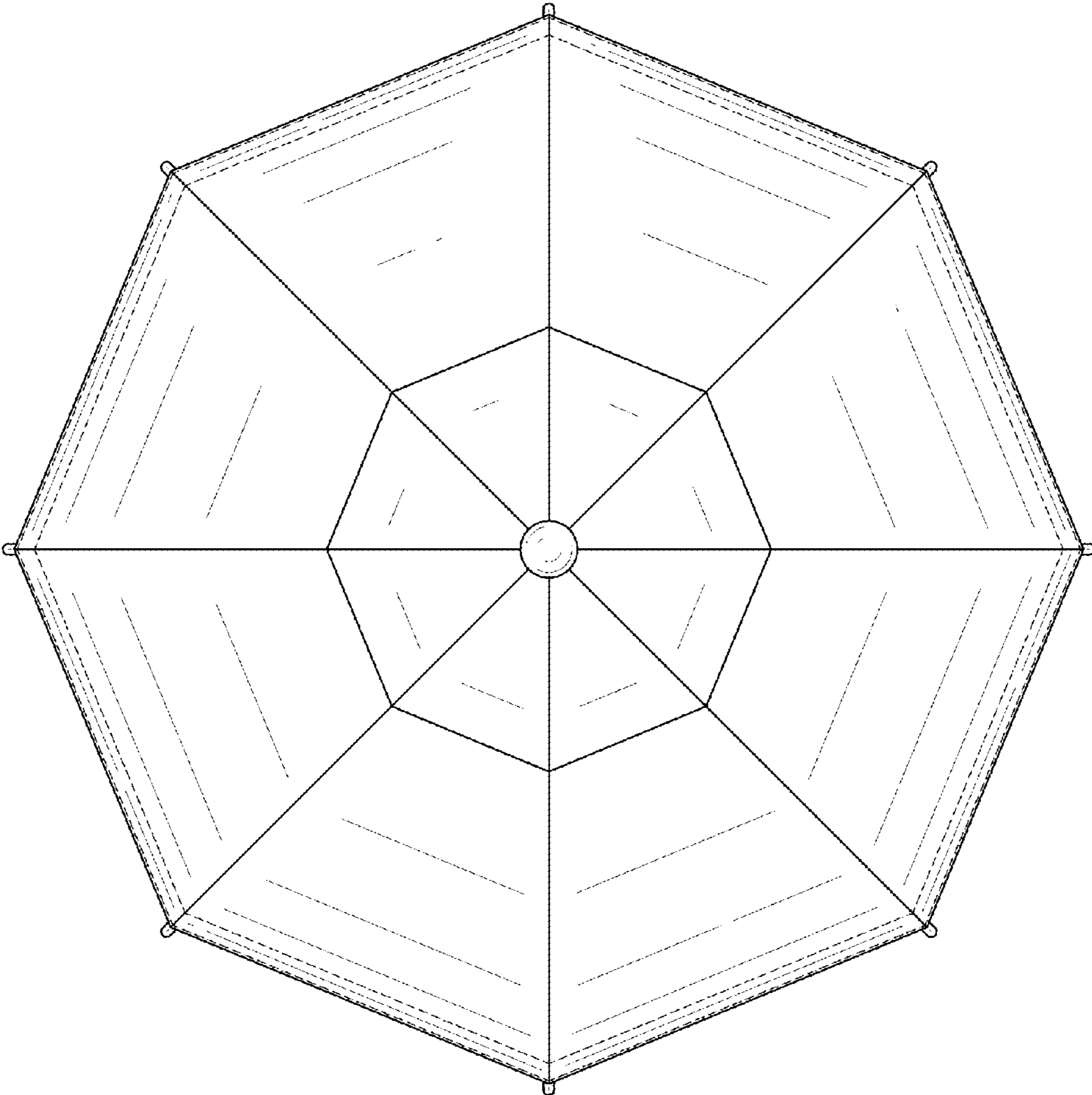


FIG.3

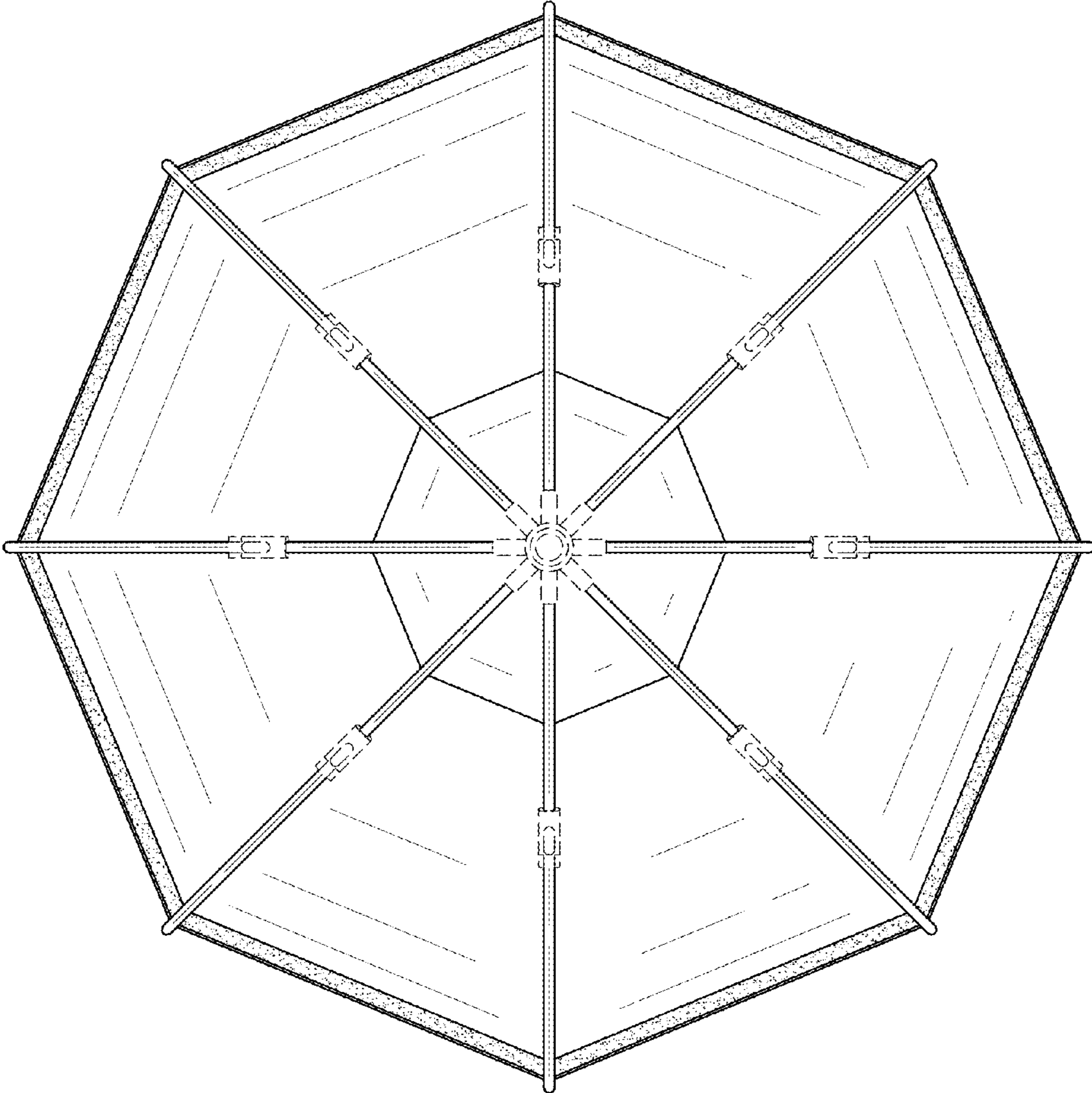


FIG. 4