



US00D741588S

(12) **United States Design Patent**
Weeks

(10) **Patent No.:** **US D741,588 S**
(45) **Date of Patent:** **** Oct. 27, 2015**

- (54) **SHOE OUTSOLE BOTTOM**
- (71) Applicant: **Skechers U.S.A., Inc. II**, Manhattan Beach, CA (US)
- (72) Inventor: **John Maxwell Weeks**, Los Angeles, CA (US)
- (73) Assignee: **SKECHERS U.S.A., INC. II**, Manhattan Beach, CA (US)
- (**) Term: **14 Years**
- (21) Appl. No.: **29/522,703**
- (22) Filed: **Apr. 1, 2015**
- (51) **LOC (10) Cl.** **02-04**
- (52) **U.S. Cl.**
USPC **D2/959**; D2/951; D2/960
- (58) **Field of Classification Search**
USPC D2/902, 906, 908, 916, 918, 925, D2/946-962, 977; 36/3 B, 22 R, 24.5, 25 R, 36/28, 32 R, 34 R, 59 C, 67 A, 103
CPC A43B 13/00; A43B 13/02; A43B 13/023; A43B 13/026; A43B 13/04; A43B 13/08; A43B 13/10; A43B 13/12; A43B 13/14; A43B 13/141; A43B 13/143; A43B 13/16; A43B 13/18; A43B 13/181; A43B 13/187; A43B 13/189; A43B 13/20; A43B 13/22; A43B 13/223; A43B 13/24; A43B 13/28; A43B 13/30; A43B 13/32; A43B 13/34; A43B 13/36
See application file for complete search history.

- D326,015 S 5/1992 Kayano
- D347,936 S 6/1994 Takaoka
- D351,717 S 10/1994 Kayano et al.
- D355,756 S * 2/1995 Vestuti D2/969
- D365,921 S 1/1996 von Conta et al.
- D369,236 S 4/1996 Maltby
- D373,898 S 9/1996 Bramani
- D377,411 S 1/1997 Murray
- D377,859 S 2/1997 Bramani
- D378,472 S 3/1997 Bramani
- D387,892 S 12/1997 Briant
- D389,298 S 1/1998 Briant
- D394,342 S 5/1998 Schneider
- D404,899 S 2/1999 von Conta
- D404,902 S 2/1999 Pawlus
- D411,911 S 7/1999 Carlson
- D416,379 S 11/1999 Cintron
- D416,671 S * 11/1999 Tsuzuki D2/961
- D441,176 S * 5/2001 Dean D2/959

(Continued)

Primary Examiner — T. Chase Nelson
(74) *Attorney, Agent, or Firm* — Marshall A. Lerner; Marvin H. Kleinberg; Kleinberg & Lerner, LLP

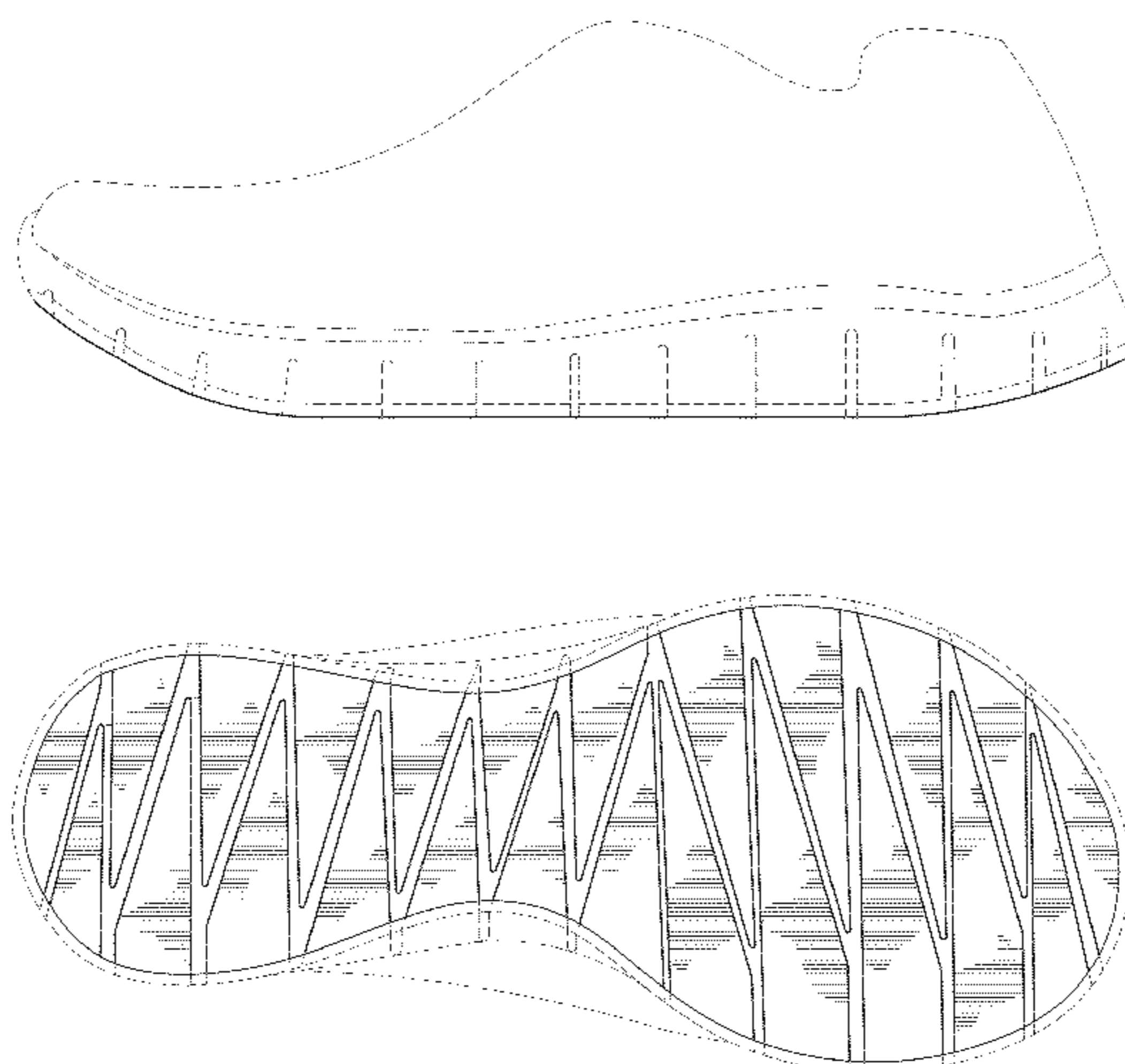
(57) **CLAIM**
The ornamental design for a shoe outsole bottom, as shown and described.

DESCRIPTION

FIG. 1 is a perspective view of a shoe outsole bottom in accordance with my new design;
FIG. 2 is a left side view thereof;
FIG. 3 is a right side view thereof;
FIG. 4 is a top plan view thereof;
FIG. 5 is a bottom plan view thereof;
FIG. 6 is a rear elevation view thereof; and,
FIG. 7 is a front elevation view thereof.
Broken lines showing the remainder of the shoe in the figures are for illustrative purposes only and form no part of the claimed invention.

1 Claim, 6 Drawing Sheets

- (56) **References Cited**
U.S. PATENT DOCUMENTS
D940,709 12/1934 Fowler
D115,636 S * 7/1939 Sperry D2/959
D281,286 S 11/1985 Mangini et al.
D319,725 S 9/1991 Claveria



(56)

References Cited

U.S. PATENT DOCUMENTS

D446,914 S 8/2001 Cockrell
D446,915 S 8/2001 Cockrell
D447,326 S 9/2001 Cockrell
D463,901 S * 10/2002 Adams et al. D2/959
D495,479 S 9/2004 McDowell

D577,883 S * 10/2008 Link D2/959
D635,754 S * 4/2011 Mariman D2/959
D636,573 S * 4/2011 Miner D2/959
D646,874 S * 10/2011 Miner D2/959
D668,437 S * 10/2012 Mahoney D2/908
D683,118 S 5/2013 Pauk
D702,430 S 4/2014 Nascimento
2010/0083535 A1 * 4/2010 Meschter et al. 36/88

* cited by examiner

FIG. 1

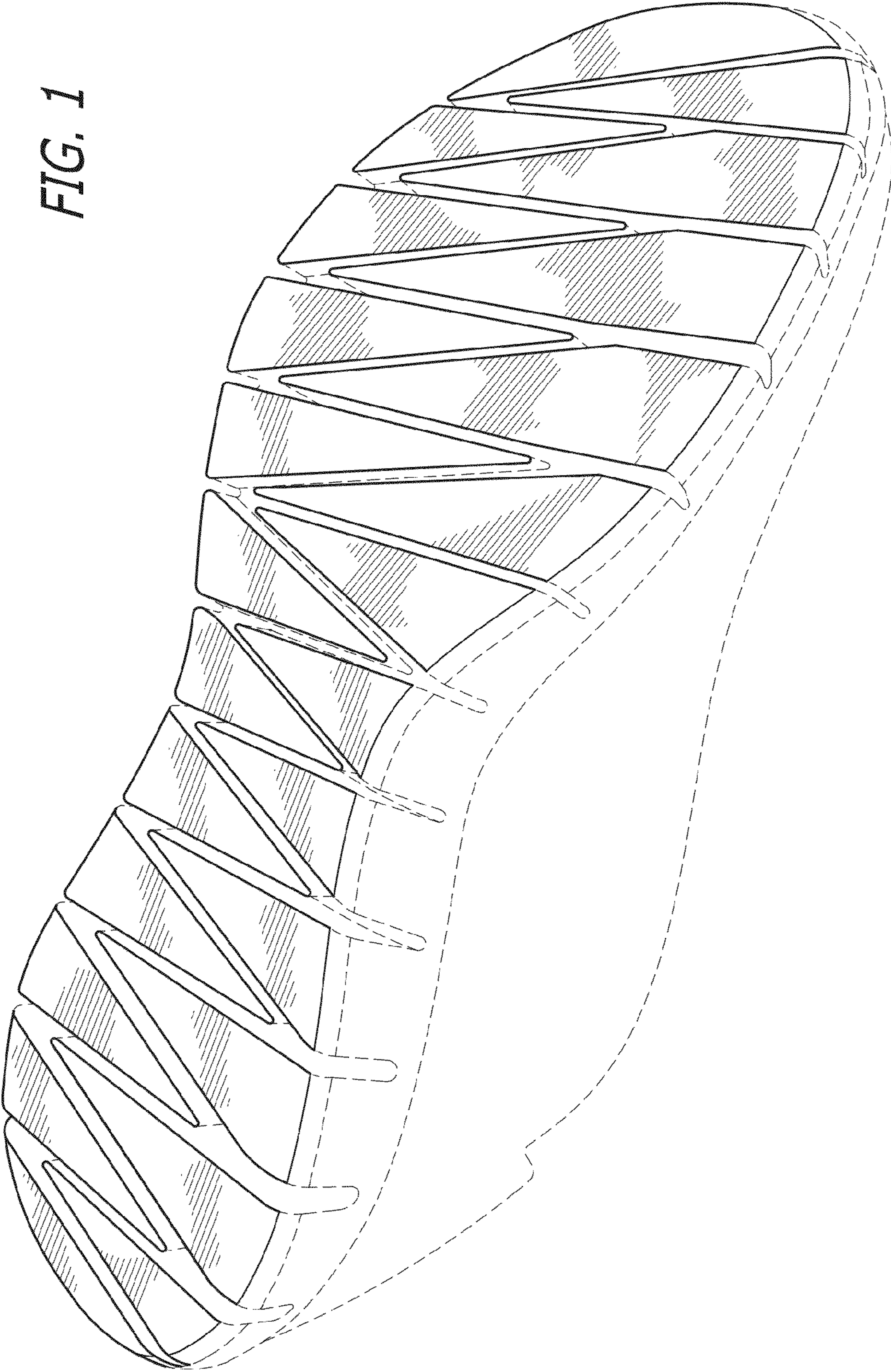


FIG. 2

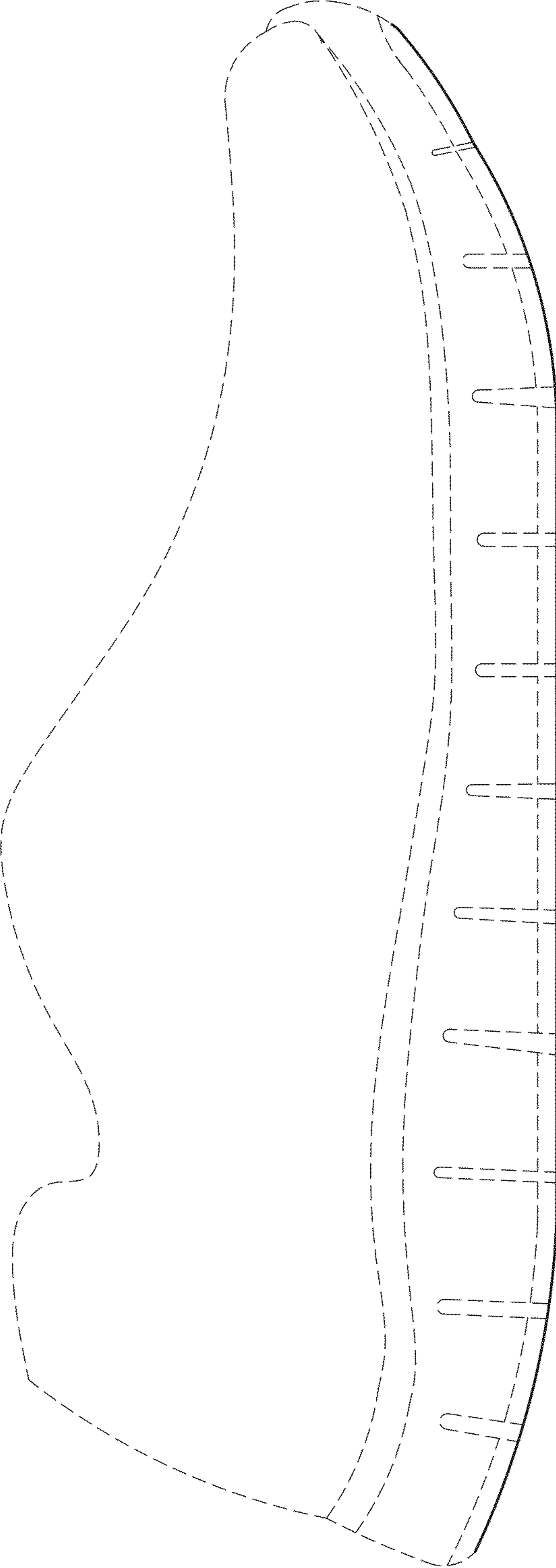
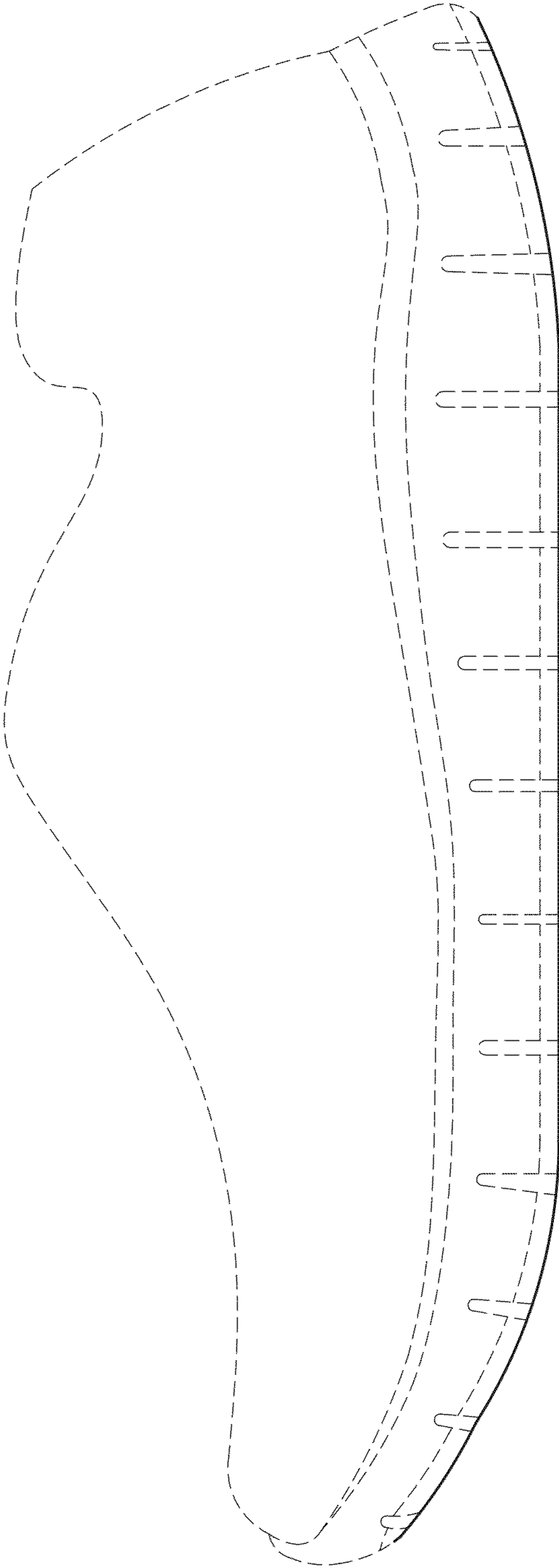


FIG. 3



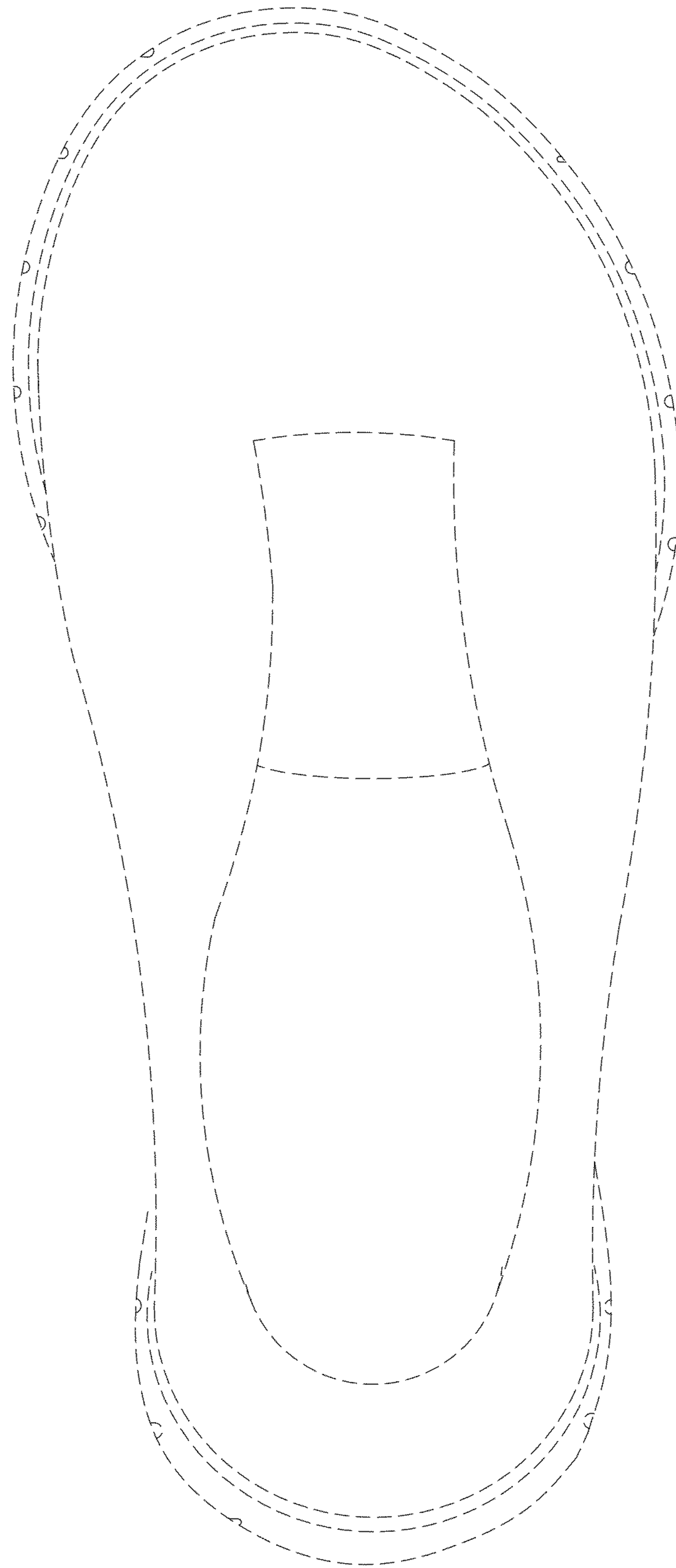


FIG. 4

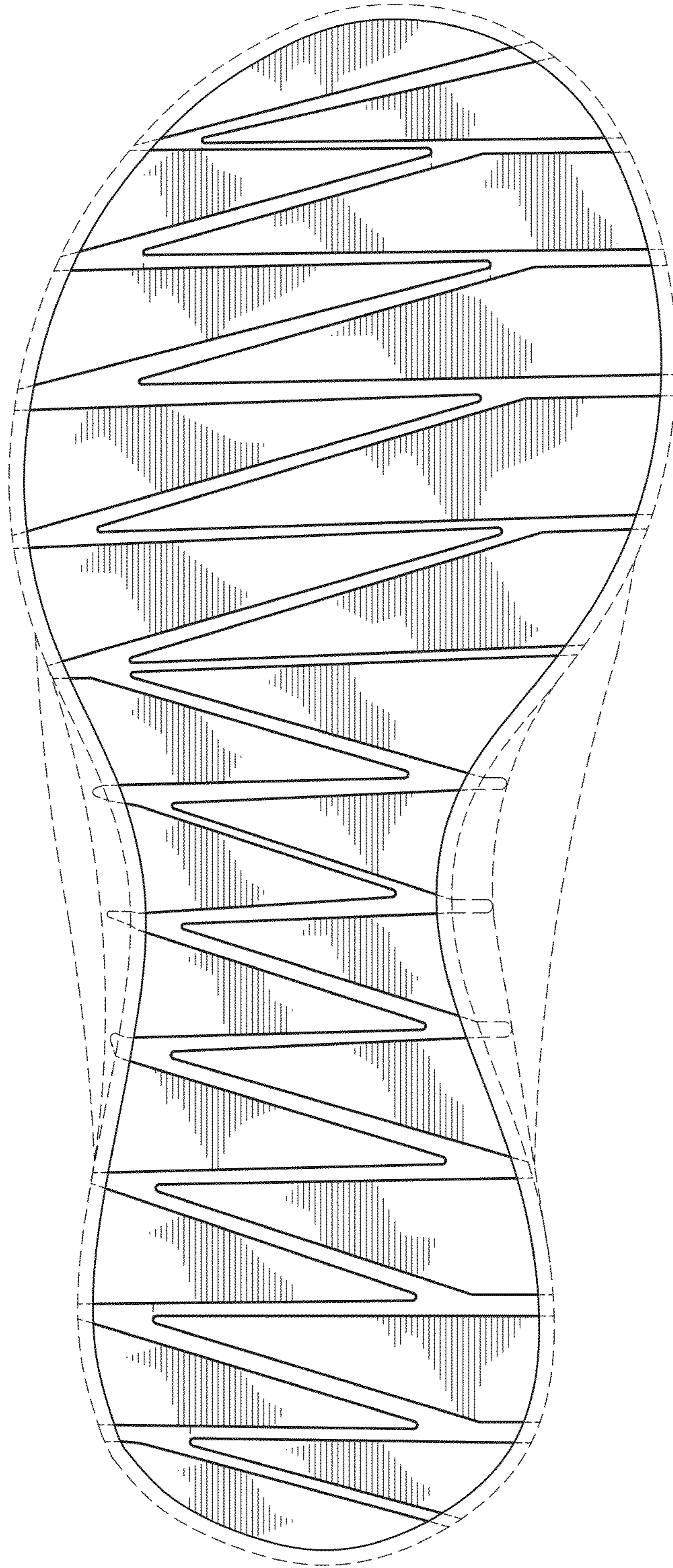


FIG. 5

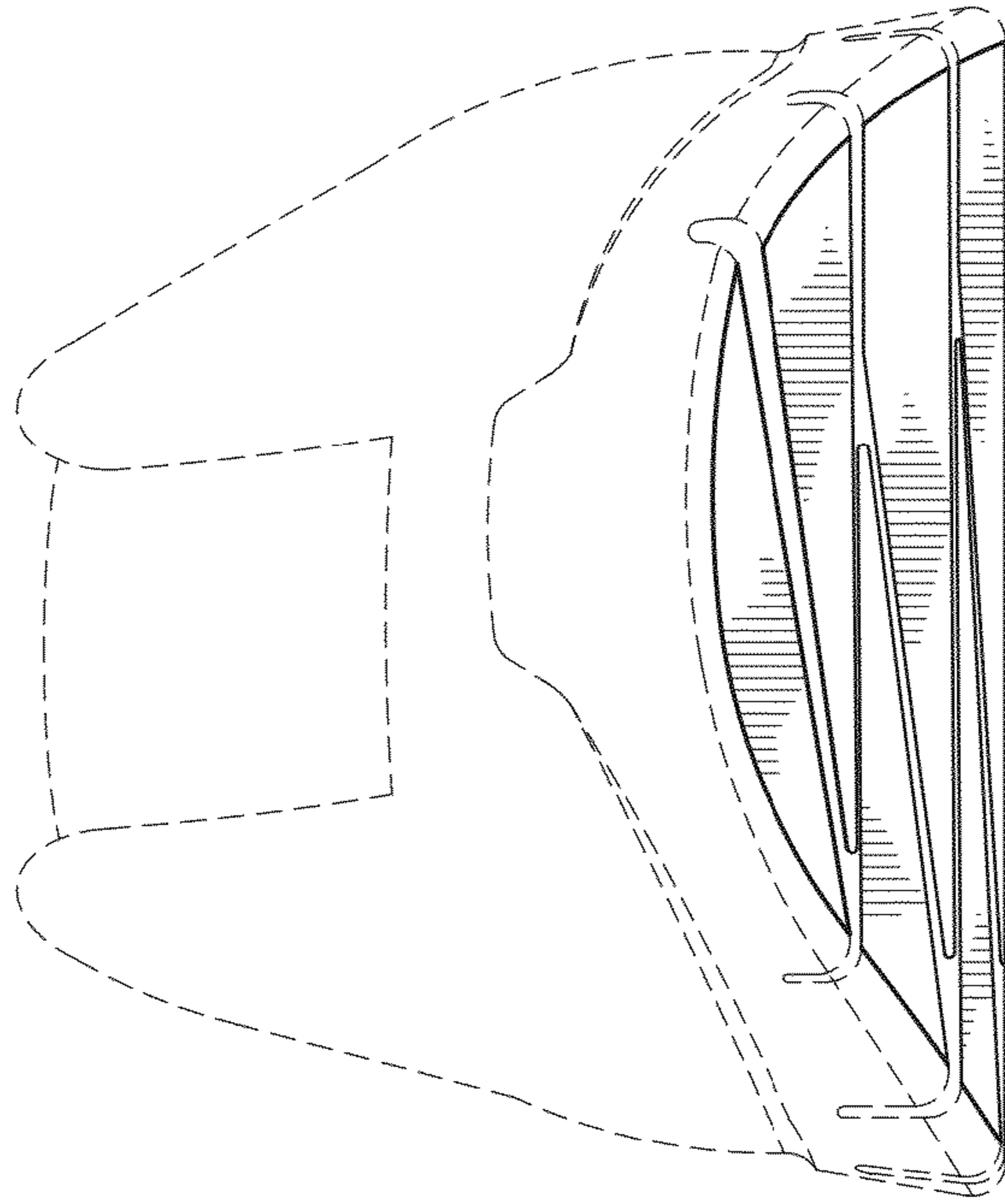


FIG. 7

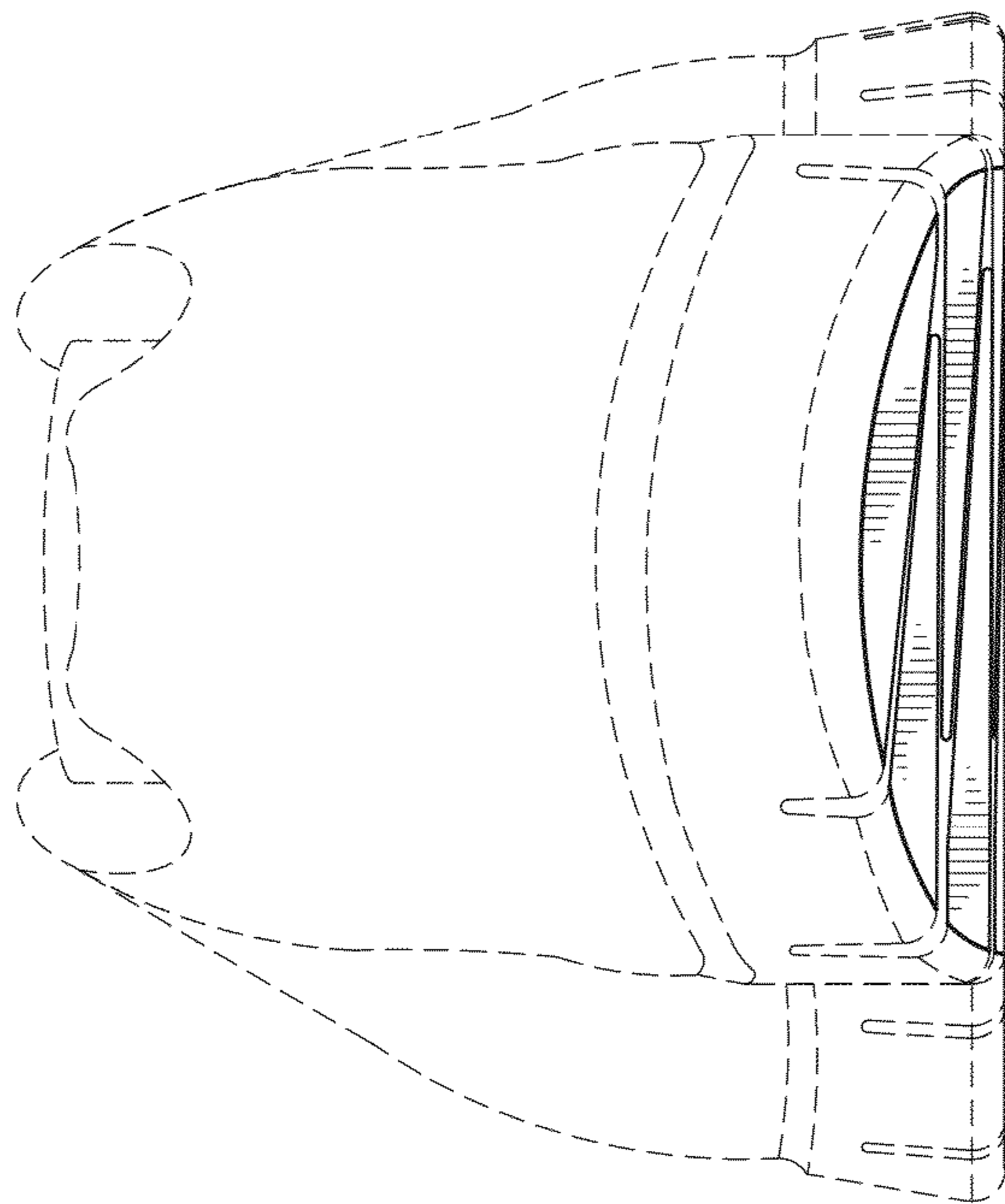


FIG. 6