



US00D741565S

(12) **United States Design Patent**
Schweig et al.

(10) **Patent No.:** **US D741,565 S**
(45) **Date of Patent:** **** Oct. 20, 2015**

(54) **FORKLIFT**

D663,503 S * 7/2012 Lin D34/34
D694,984 S * 12/2013 Kawakami et al. D34/34
D696,830 S * 12/2013 Kazaoka et al. D34/34

(71) Applicant: **Still GmbH**, Hamburg (DE)

* cited by examiner

(72) Inventors: **Ulrich Schweig**, Hamburg (DE);
Helmar Roth, Hamburg (DE)

Primary Examiner — Robin V Webster

(73) Assignee: **Still GmbH**, Hamburg (DE)

(74) *Attorney, Agent, or Firm* — The Webb Law Firm

(**) Term: **14 Years**

(57) **CLAIM**

The ornamental design for a forklift, as shown and described.

(21) Appl. No.: **29/460,943**

DESCRIPTION

(22) Filed: **Jul. 17, 2013**

(30) **Foreign Application Priority Data**

Jan. 18, 2013 (EM) 002169227

(51) **LOC (10) Cl.** **12-05**

(52) **U.S. Cl.**
USPC **D34/34**

(58) **Field of Classification Search**
USPC D15/23-33; D34/34, 37, 33; 187/222,
187/237, 238; 414/631, 592

CPC B66F 9/06

See application file for complete search history.

FIG. 1 is a rear view of a first embodiment of a forklift showing our new design;

FIG. 2 is a perspective view thereof taken from the left side thereof;

FIG. 3 is a perspective view thereof taken from the right side thereof;

FIG. 4 is a left side view thereof;

FIG. 5 is a top view thereof;

FIG. 6 is a right side view thereof;

FIG. 7 is a front view thereof;

FIG. 8 is a rear view of a second embodiment of a forklift showing our new design;

FIG. 9 is a perspective view thereof taken from the left side thereof;

FIG. 10 is a perspective view thereof taken from the right side thereof;

FIG. 11 is a left side view thereof;

FIG. 12 is a top view thereof;

FIG. 13 is a right side view thereof; and,

FIG. 14 is a front view thereof.

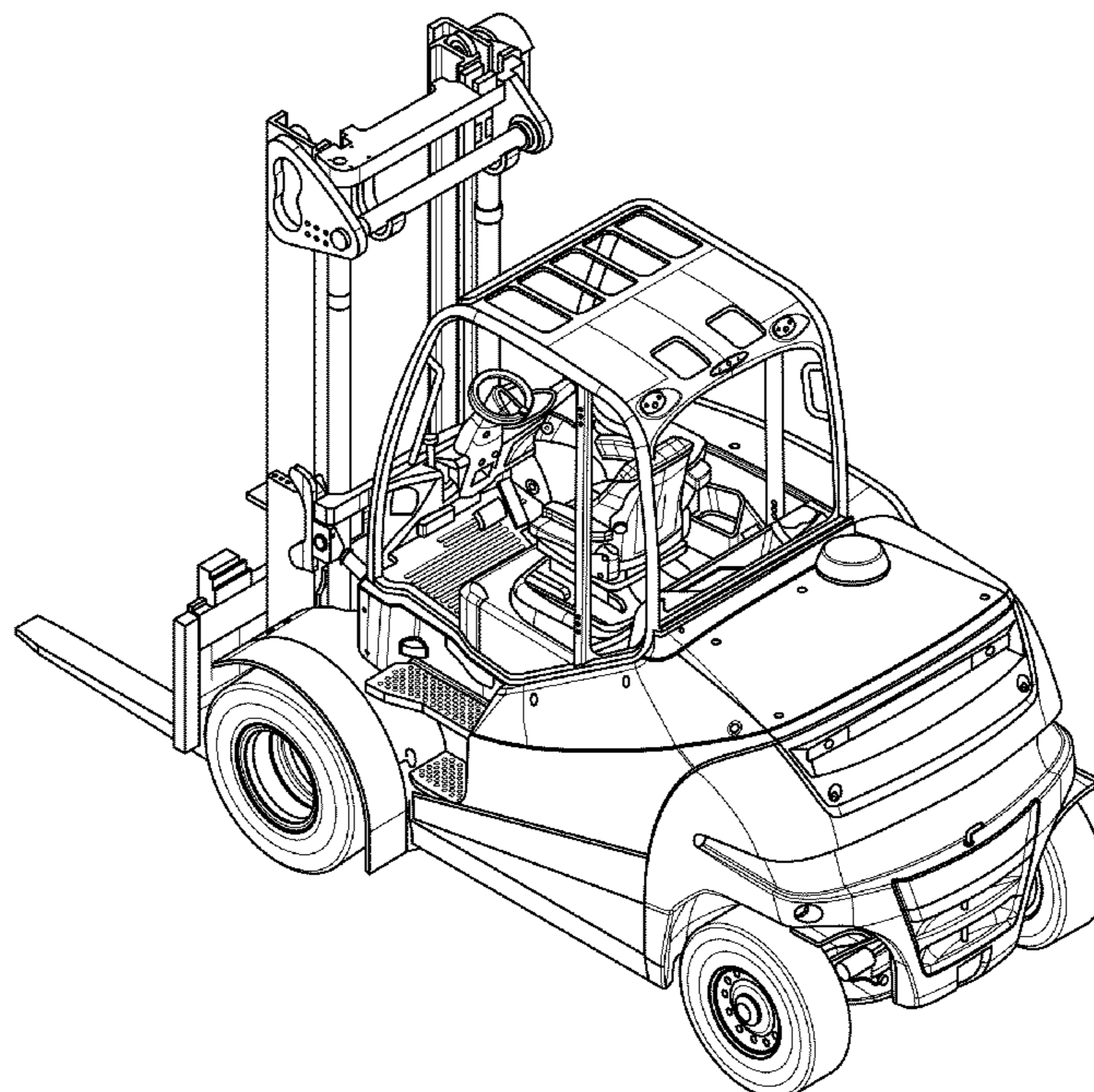
The bottom views of the forklift according to the above-mentioned embodiments are omitted as they are plain and unornamental and form no part of the claimed design.

(56) **References Cited**

U.S. PATENT DOCUMENTS

D338,764 S * 8/1993 Furuta et al. D34/34
D358,013 S * 5/1995 Heiler D34/34
D393,134 S * 3/1998 Mariano D34/34
D393,517 S * 4/1998 Kim et al. D34/34
D452,598 S * 12/2001 Sato D34/34
D601,325 S * 9/2009 Tanaka et al. D34/34
D663,502 S * 7/2012 Lin D34/34

1 Claim, 14 Drawing Sheets



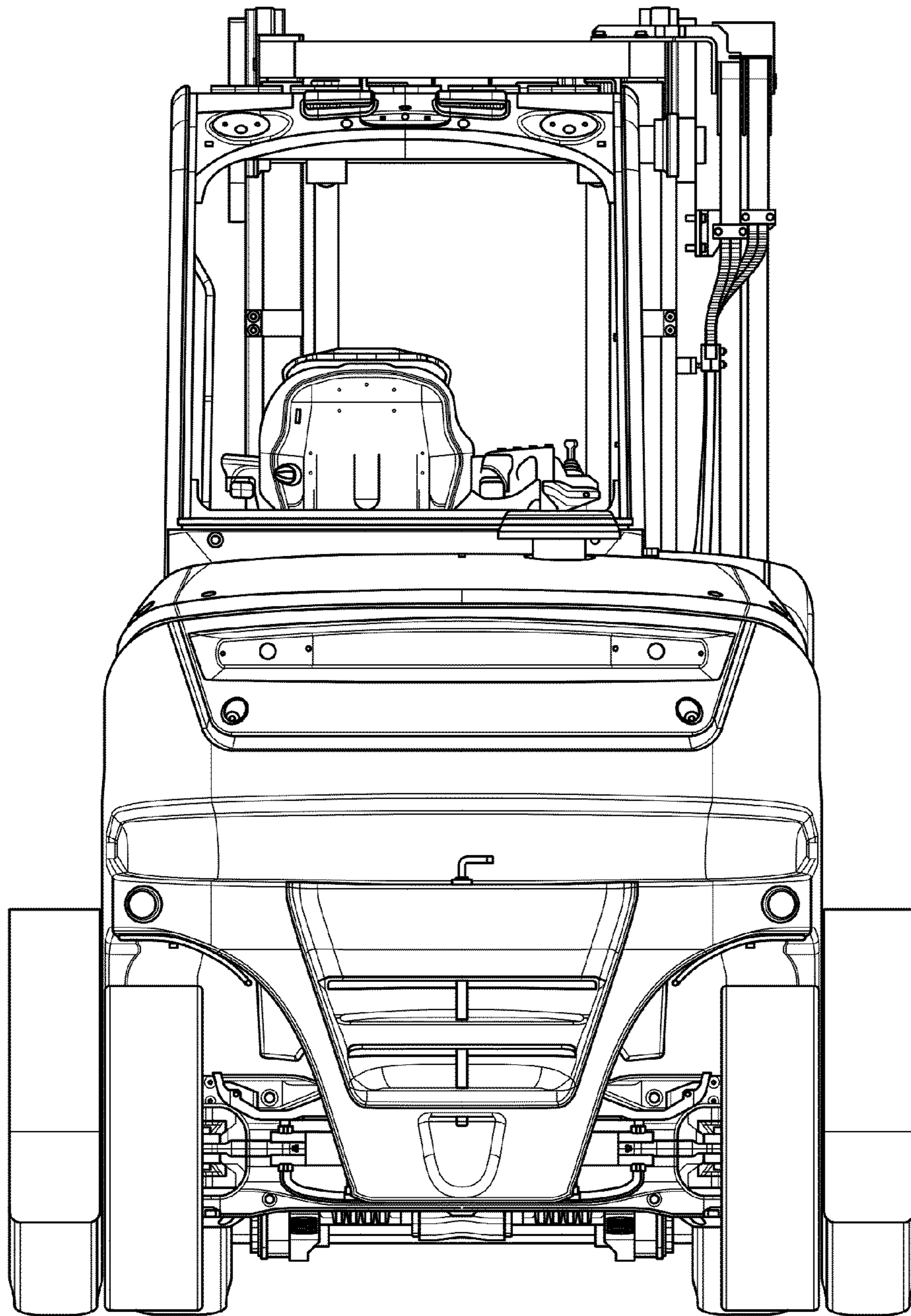


Fig. 1

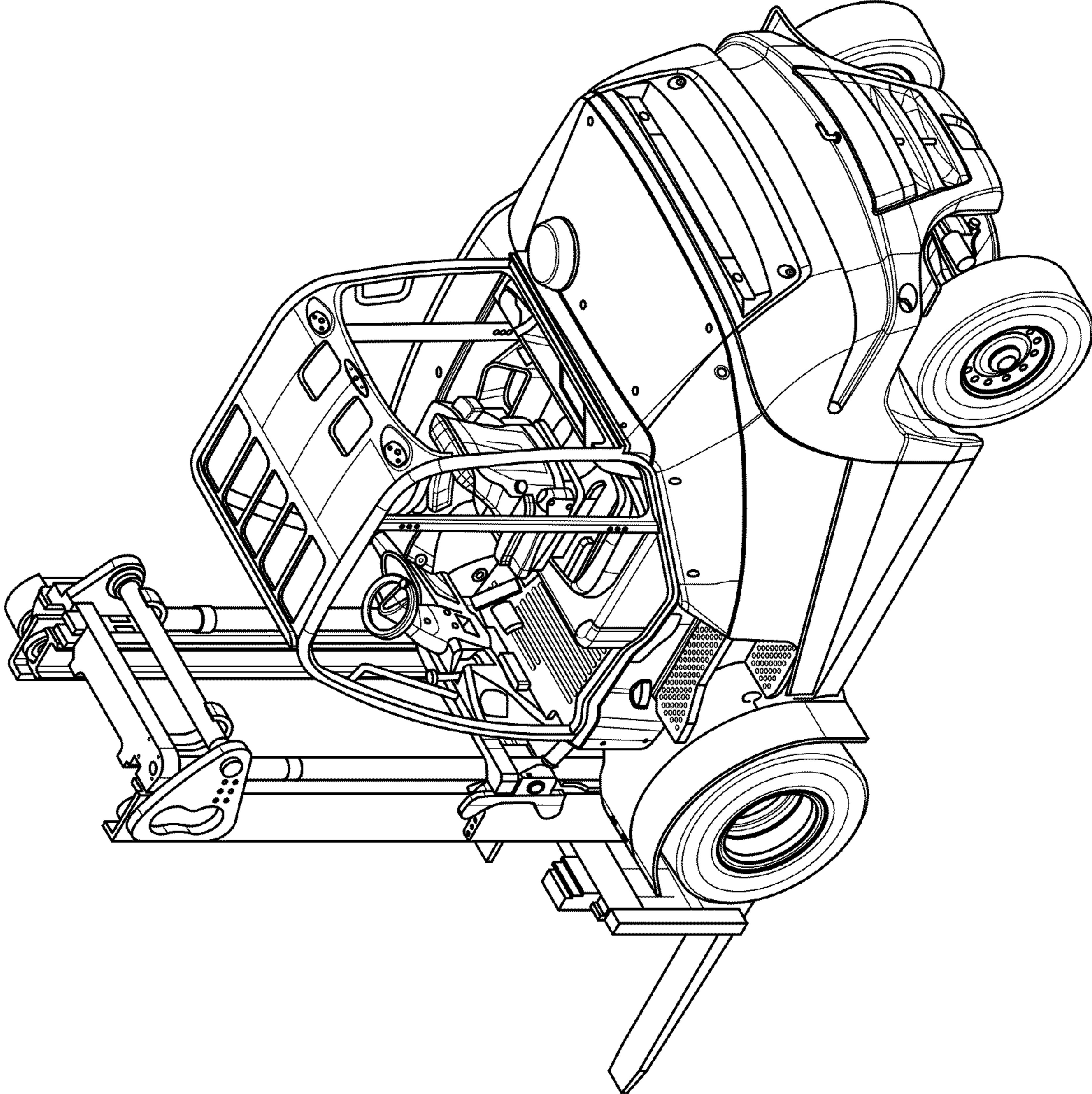


Fig. 2

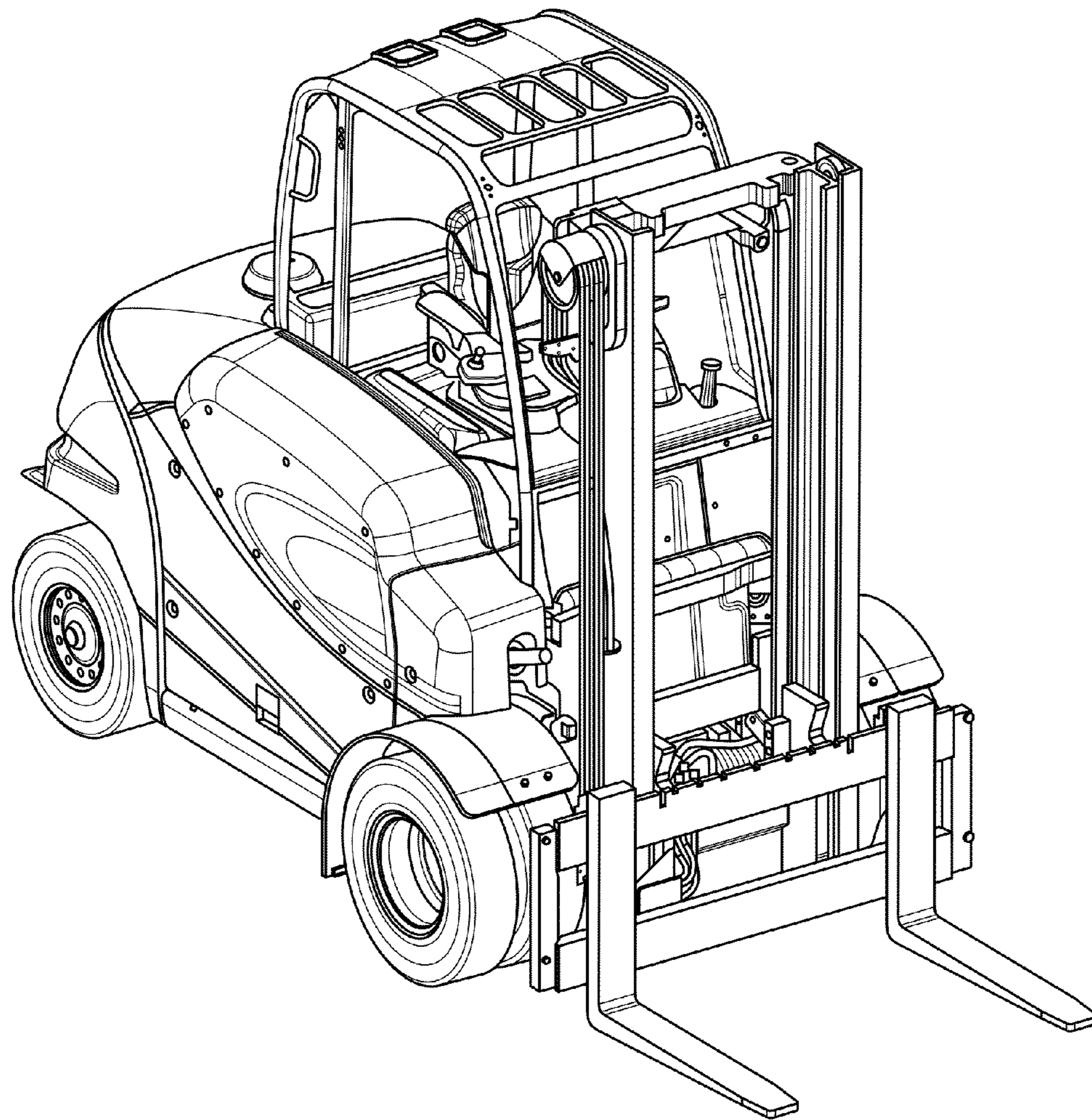


Fig. 3

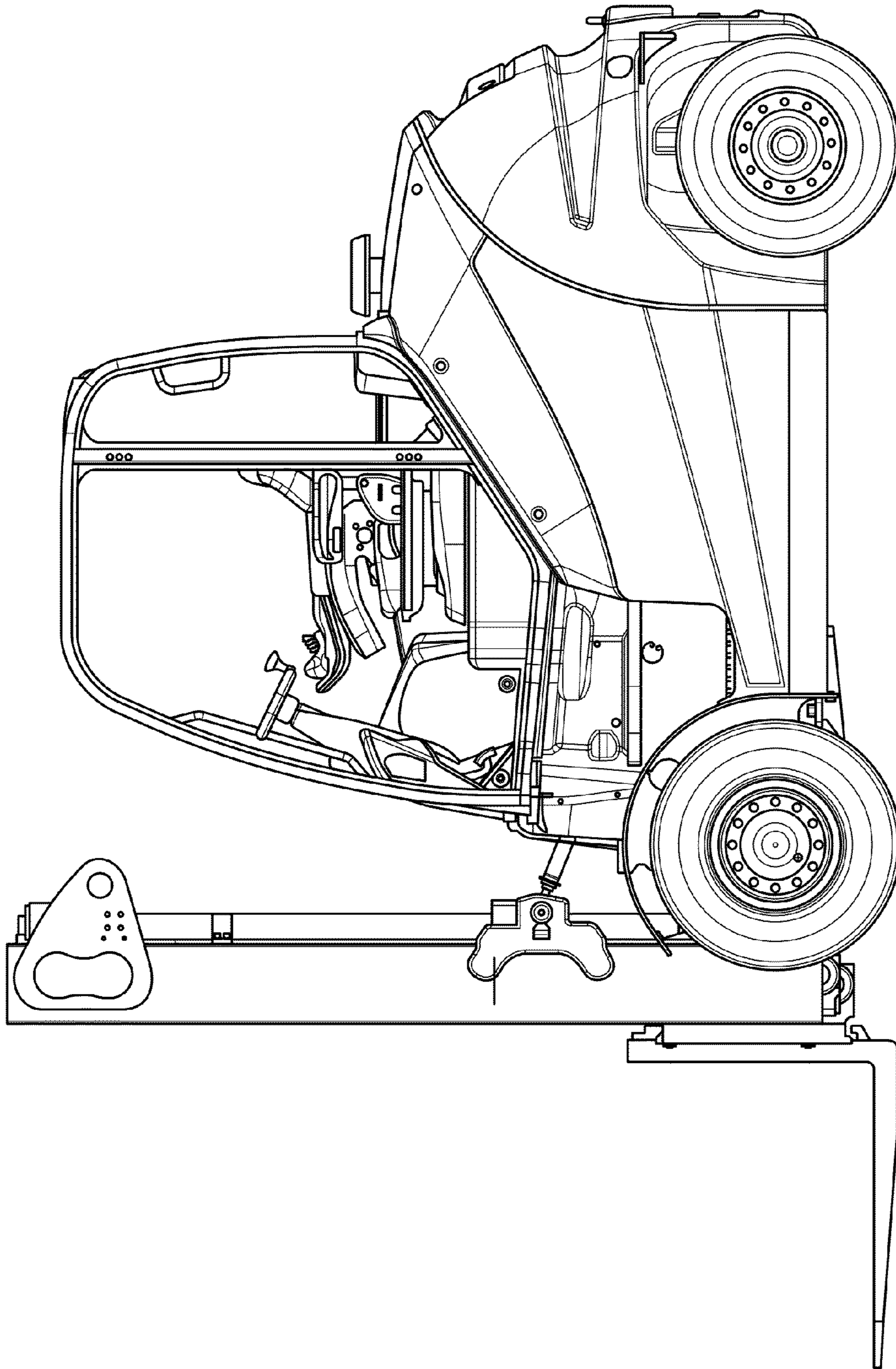


Fig. 4

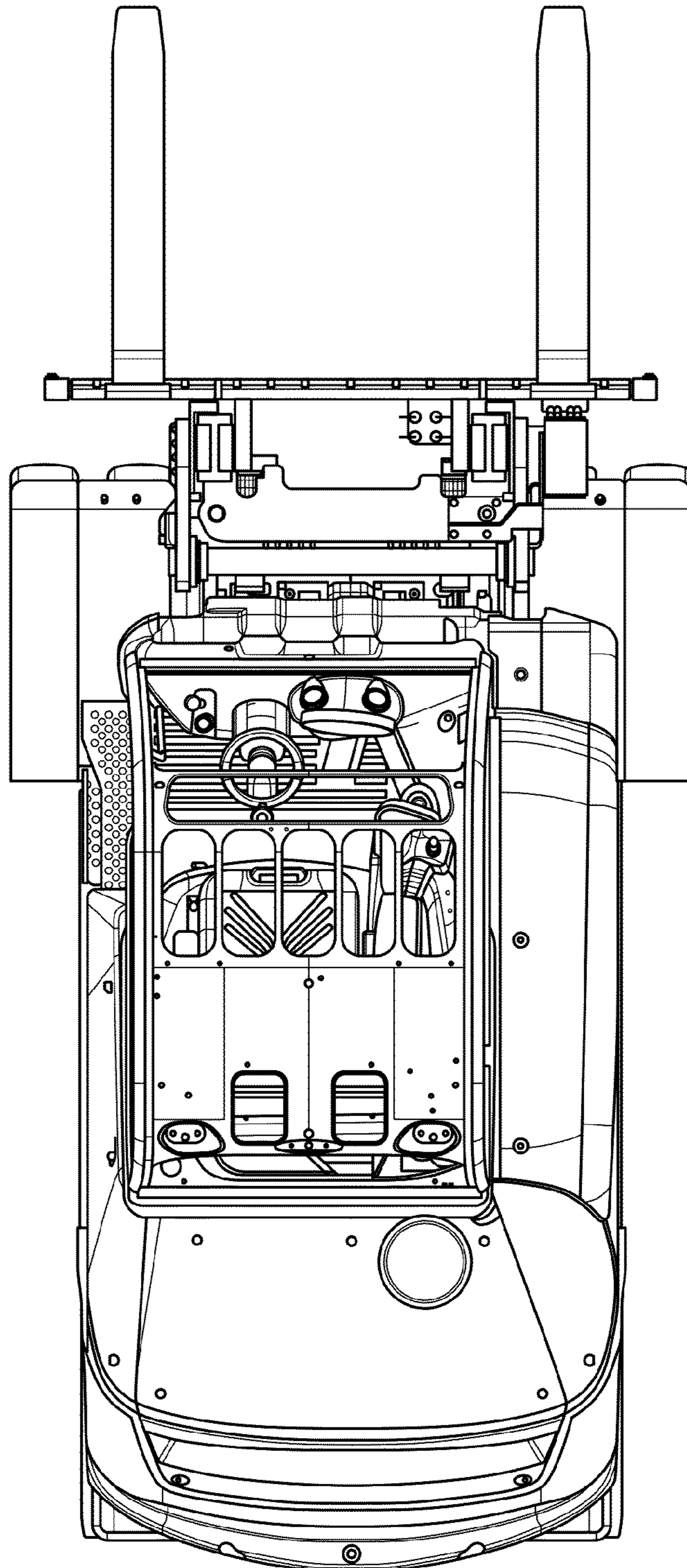


Fig. 5

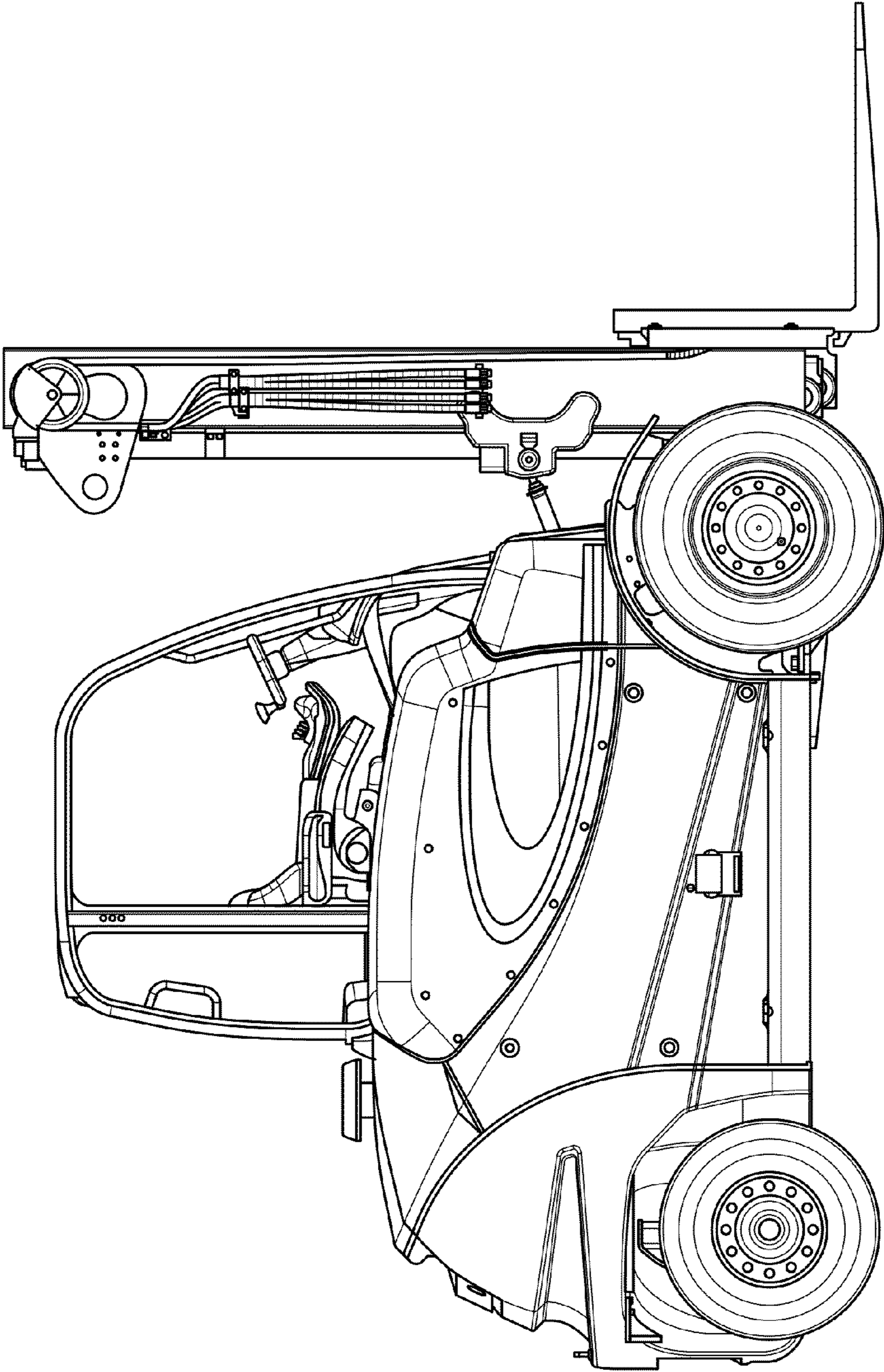


Fig. 6

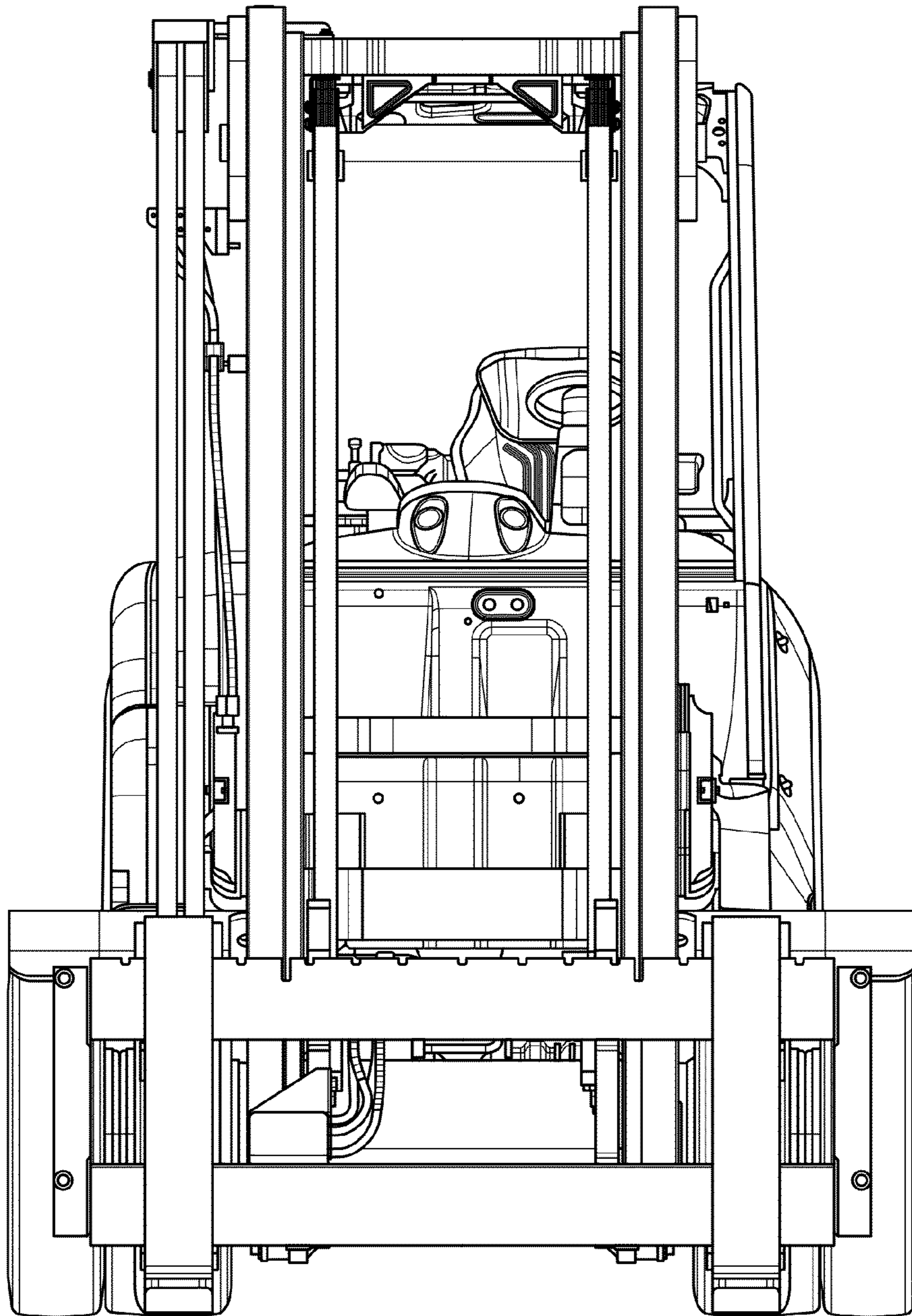


Fig. 7

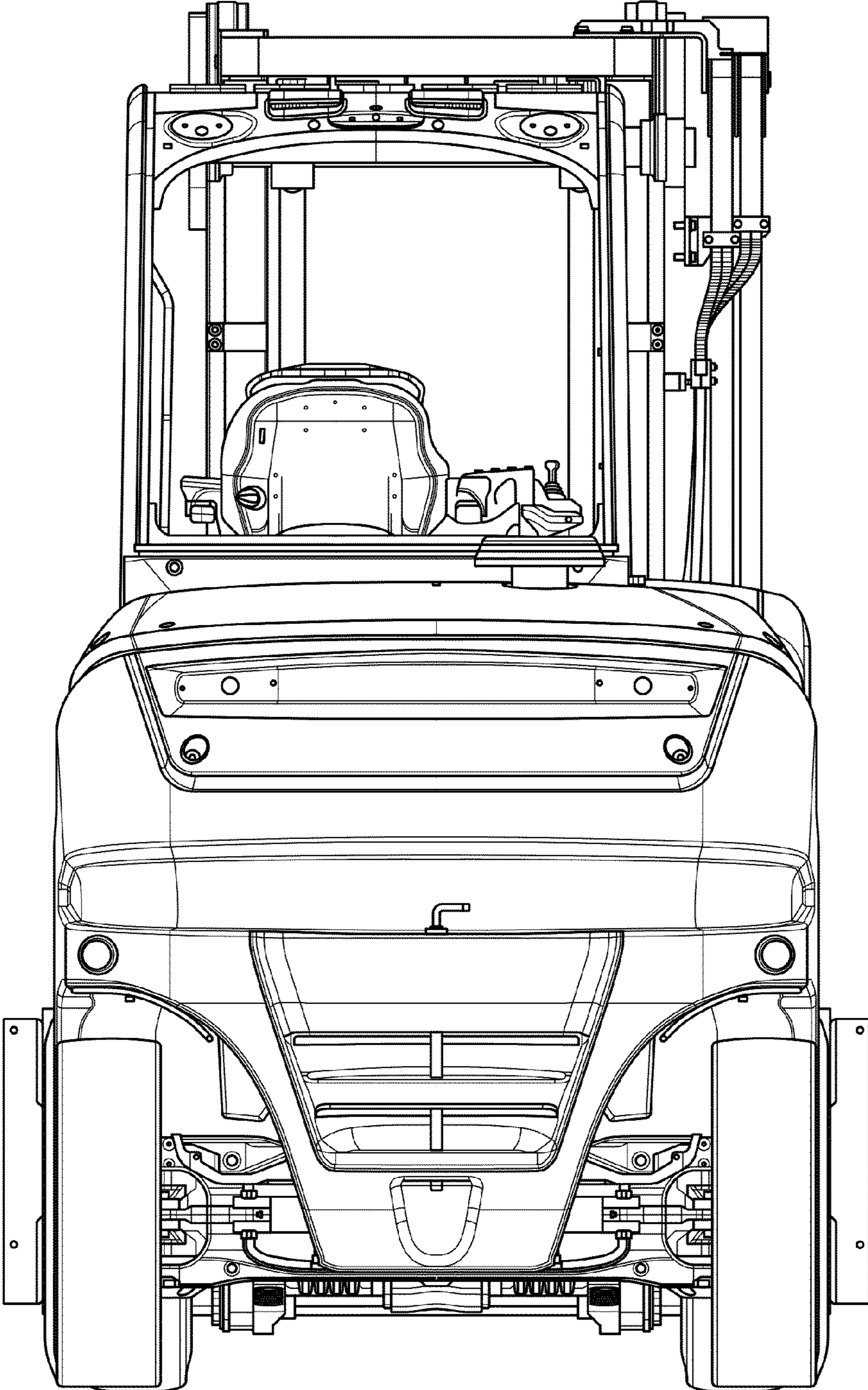


Fig. 8

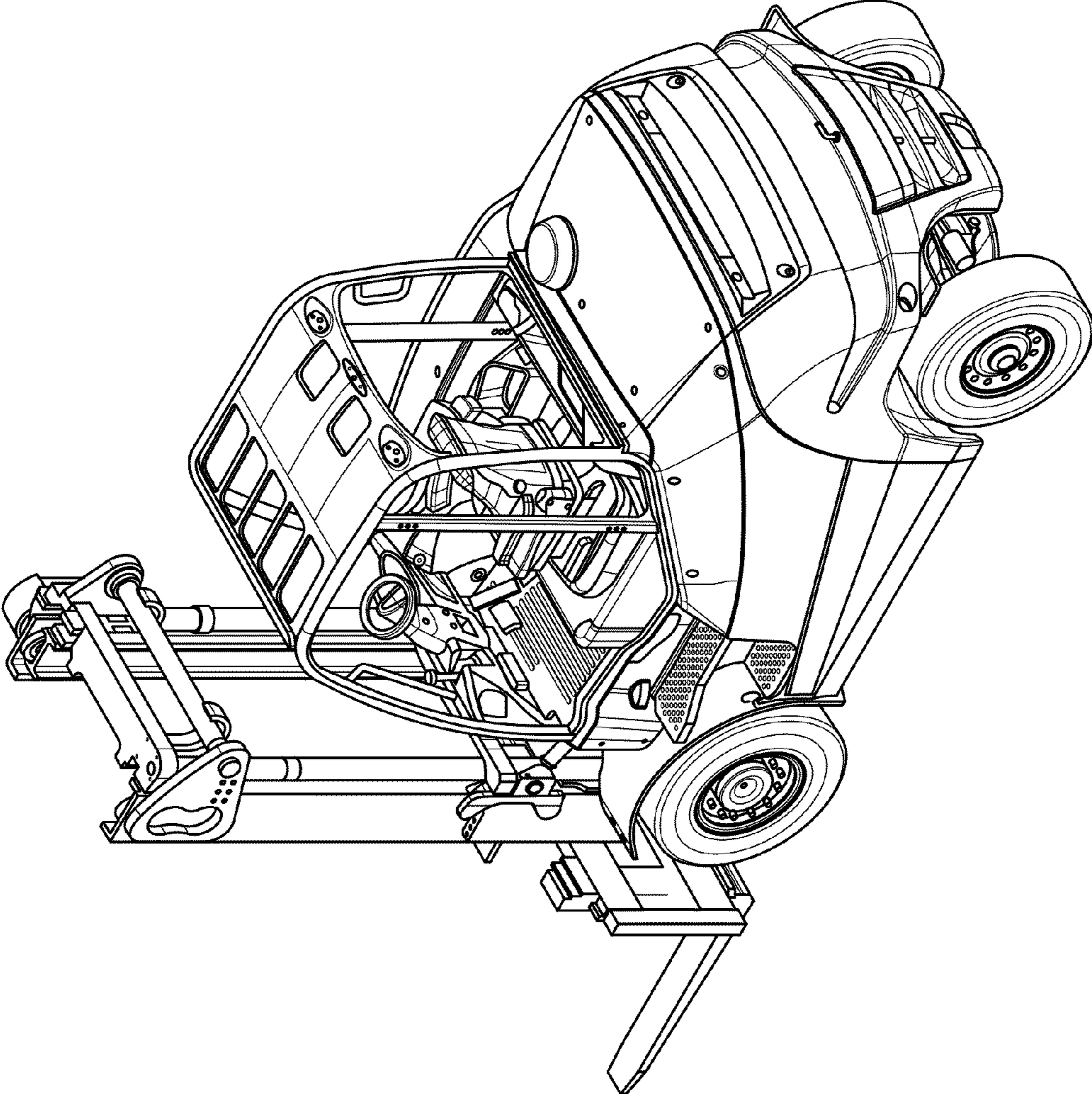


Fig. 9

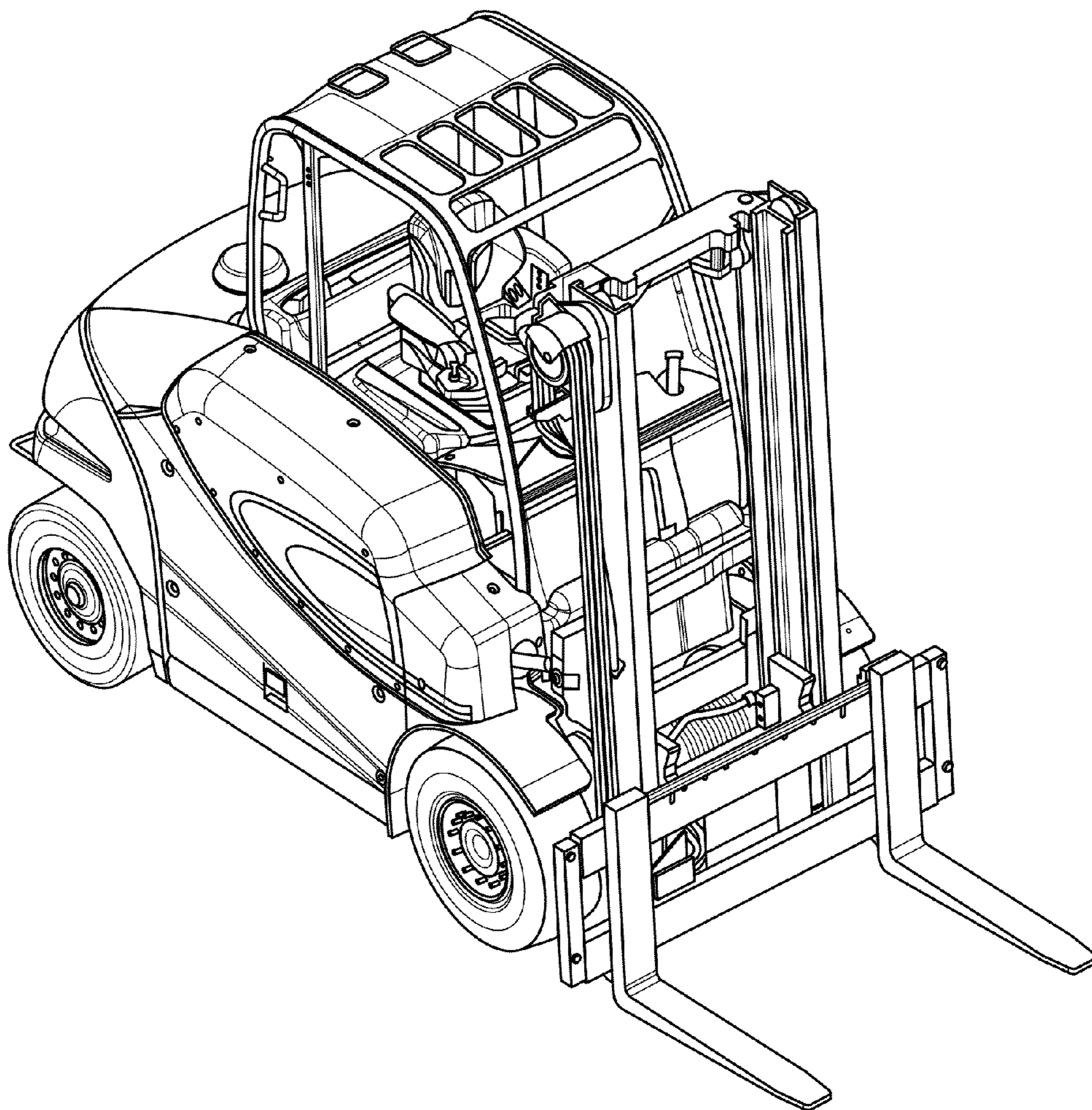


Fig. 10

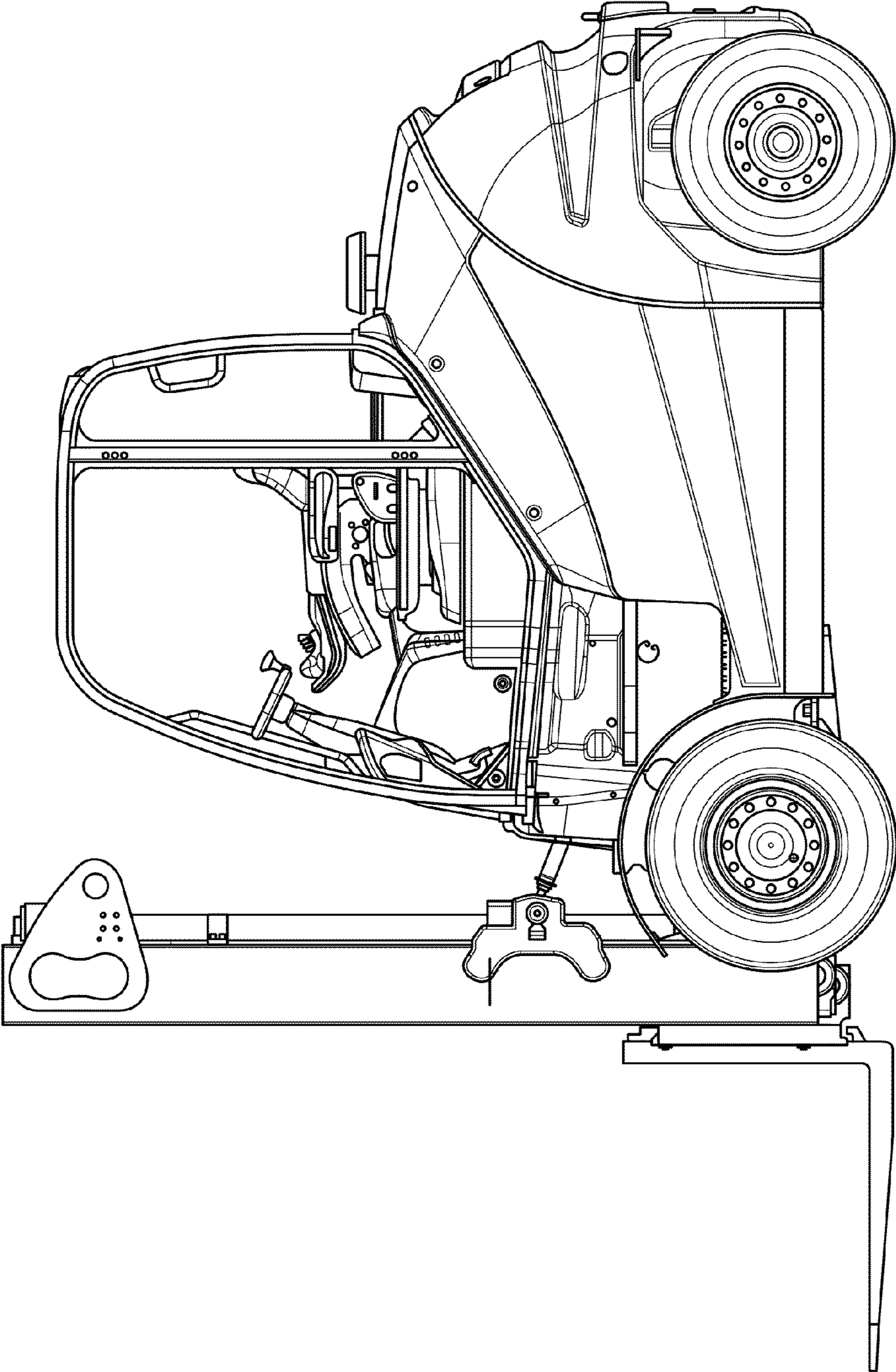


Fig. 11

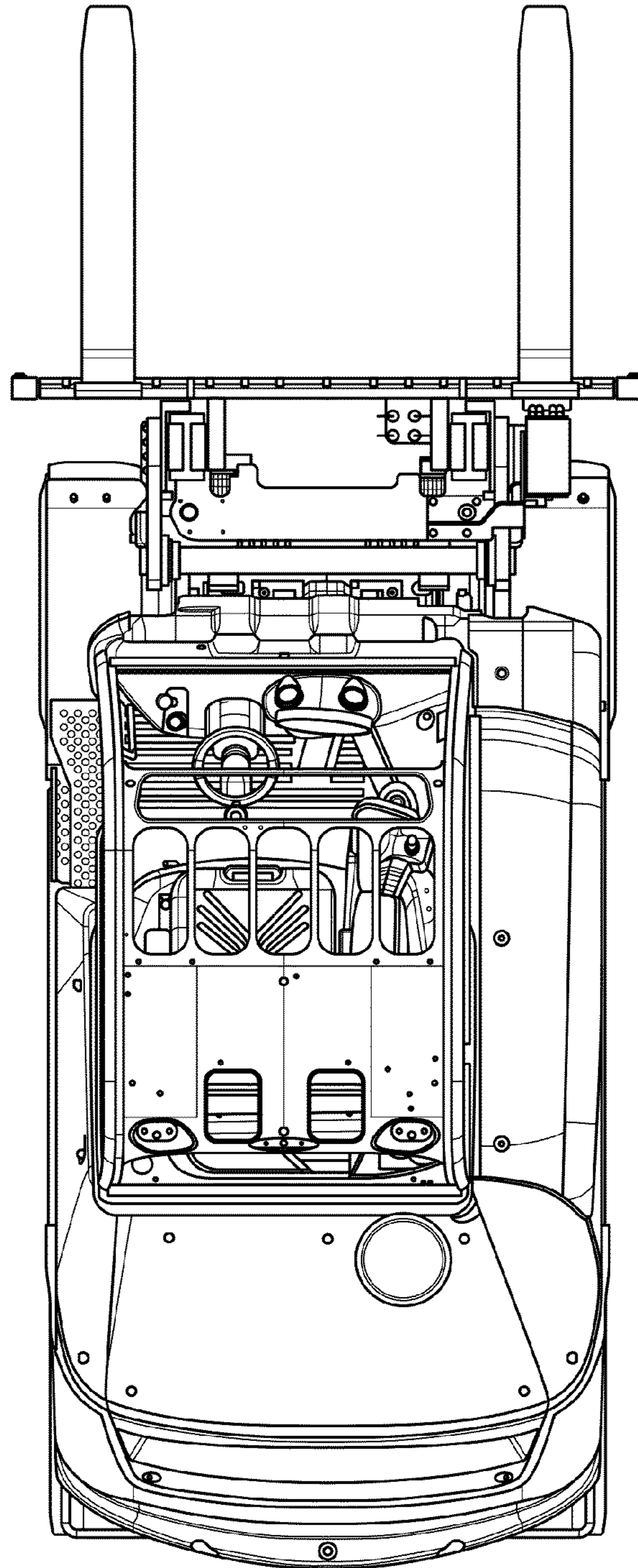


Fig. 12

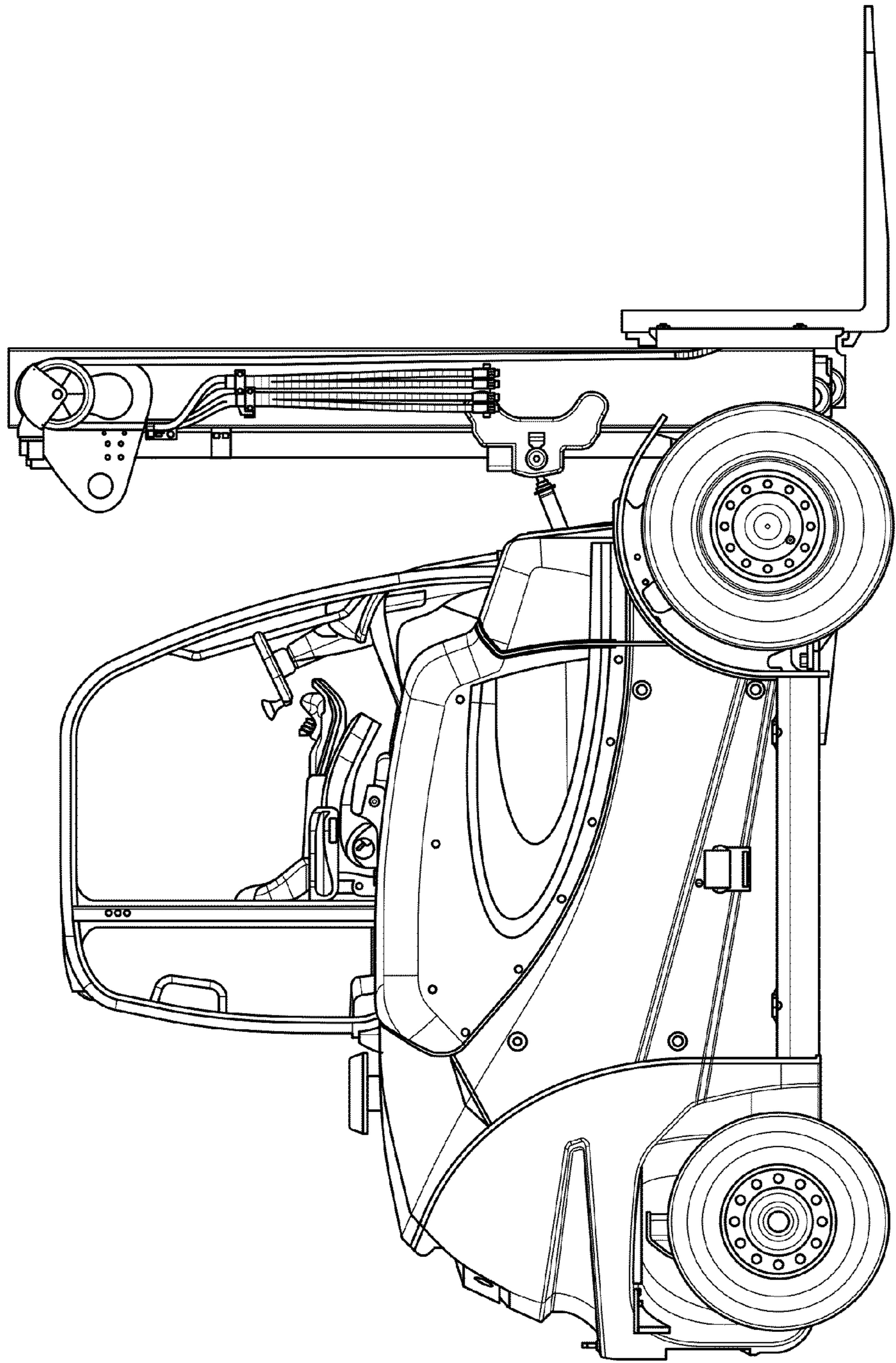


Fig. 13

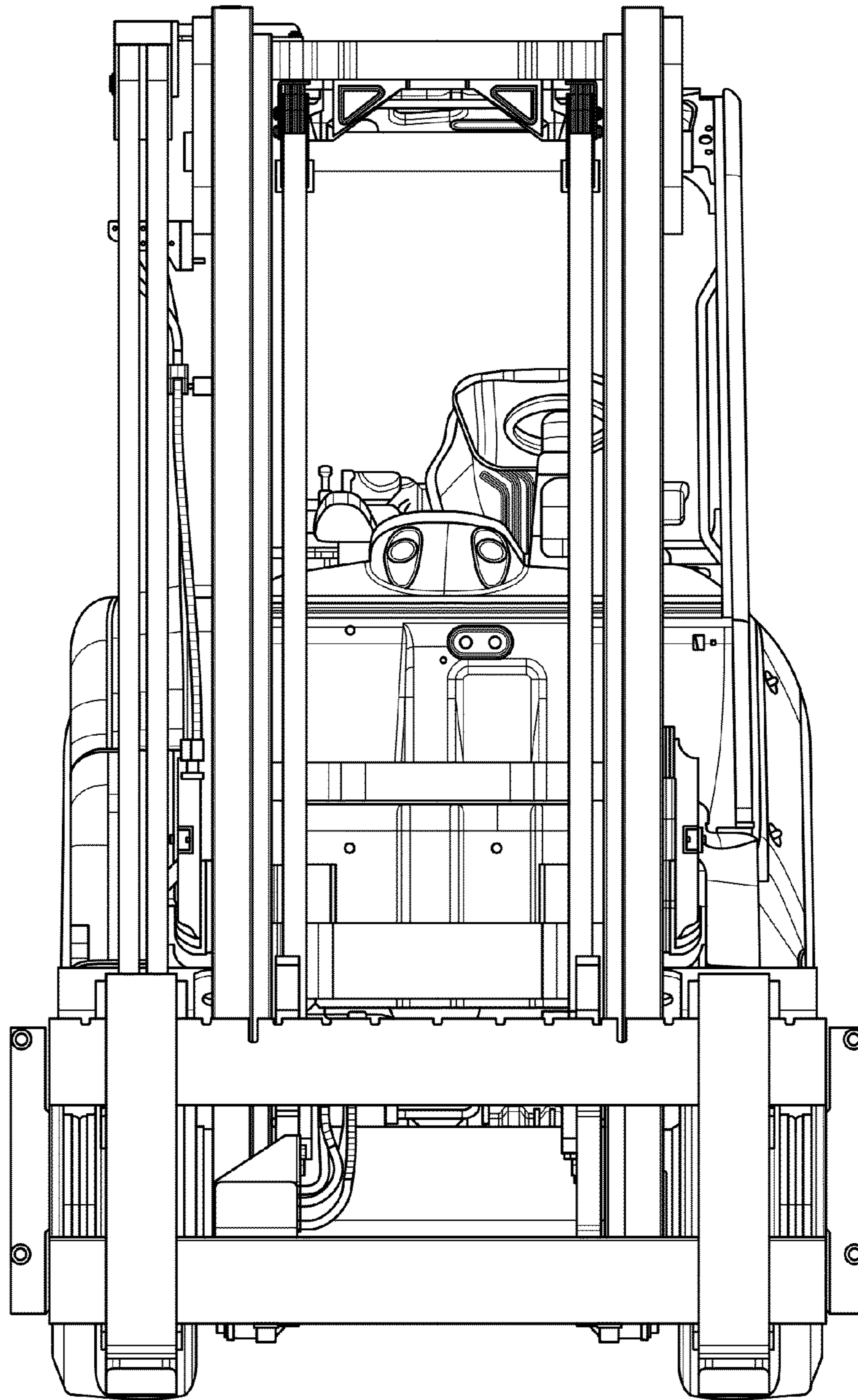


Fig. 14