



US00D741561S

(12) **United States Design Patent**  
**Zeng**

(10) **Patent No.:** **US D741,561 S**  
(45) **Date of Patent:** **\*\* Oct. 20, 2015**

(54) **MOP BUCKET**

(71) Applicant: **Guang'an Zeng**, Shenzhen (CN)

(72) Inventor: **Guang'an Zeng**, Shenzhen (CN)

(\*\*) Term: **14 Years**

(21) Appl. No.: **29/496,129**

(22) Filed: **Jul. 9, 2014**

(51) **LOC (10) Cl.** ..... **07-07**

(52) **U.S. Cl.**  
USPC ..... **D32/53**

(58) **Field of Classification Search**  
USPC ..... D32/53, 53.1, 54, 74; 15/260-264,  
15/119.1, 120.1, 257.1; D9/429; 220/904,  
220/659, 770, 752, 753, 696, 570  
CPC ..... A47J 47/18; A47L 13/58; B65D 37/00  
See application file for complete search history.

(56) **References Cited**

**U.S. PATENT DOCUMENTS**

D407,878 S	4/1999	Carlson	
D518,262 S	3/2006	Jurgens	
D632,446 S	2/2011	Tseng	
D645,628 S	9/2011	Tseng	
8,015,652 B2 *	9/2011	Chiang	15/119.1
D647,268 S	10/2011	Chen	
8,156,607 B2	4/2012	Chiang	
8,239,997 B2	8/2012	Lin	
8,291,544 B2	10/2012	Chen et al.	

8,327,502 B2	12/2012	Tsai	
8,407,849 B2	4/2013	Chen	
D693,080 S	11/2013	Shao	
D707,003 S	6/2014	Dingert	
D727,580 S *	4/2015	Lentine	D32/53
D728,882 S *	5/2015	Tsai	D32/53

**OTHER PUBLICATIONS**

Design U.S. Appl. No. 29/486,132, filed Mar. 26, 2014; In re: Tsai.,  
entitled *Mop Bucket*.

\* cited by examiner

*Primary Examiner* — Robin V Webster

(74) *Attorney, Agent, or Firm* — Alston & Bird LLP

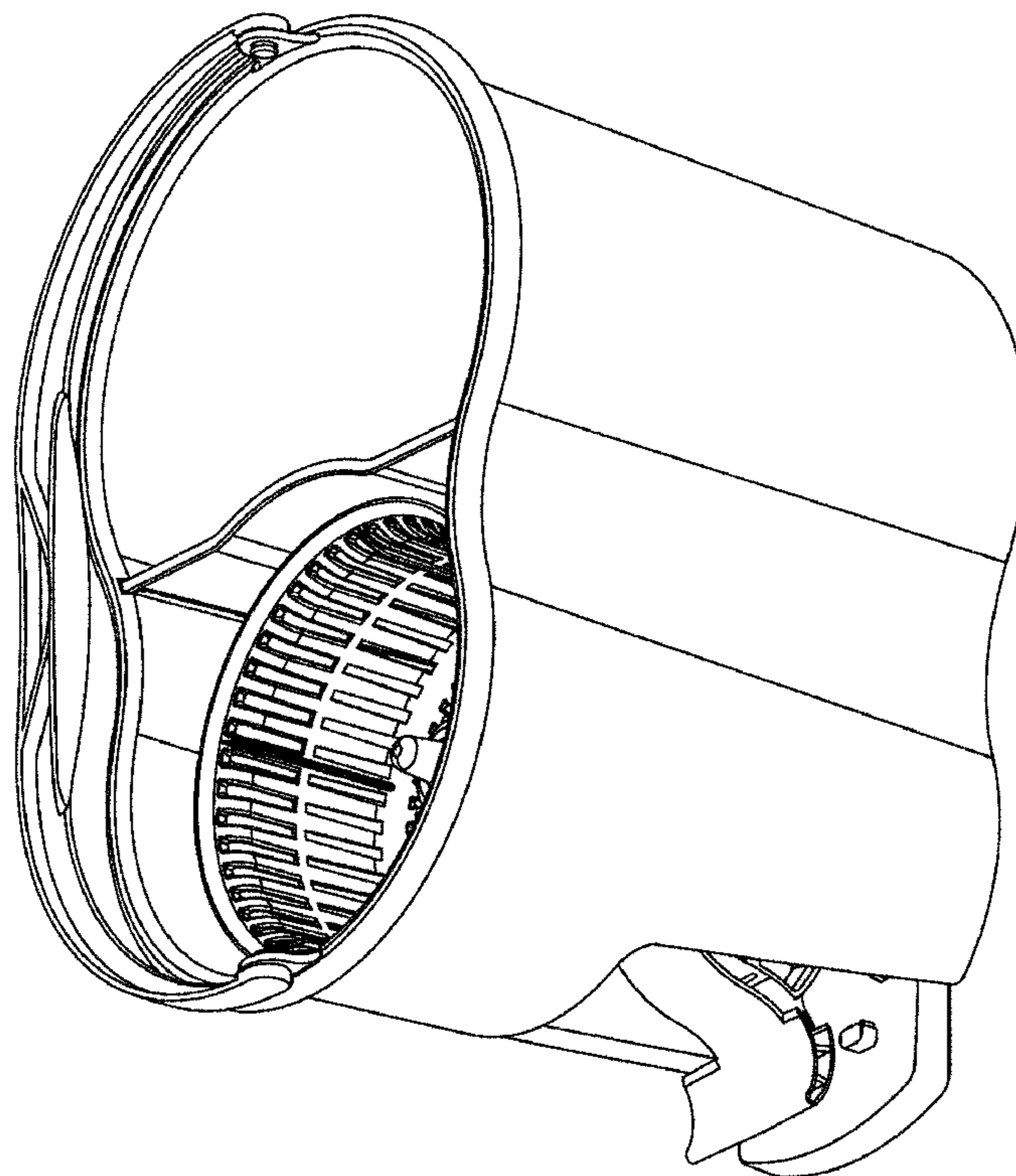
(57) **CLAIM**

I claim the ornamental design for a mop bucket, as shown and  
described.

**DESCRIPTION**

FIG. 1 is a perspective view of a mop bucket showing the new  
design;  
FIG. 2 is a front elevation view thereof;  
FIG. 3 is a rear elevation view thereof;  
FIG. 4 is a left side elevation view thereof;  
FIG. 5 is a right side elevation view thereof;  
FIG. 6 is a top plan view thereof; and,  
FIG. 7 is a bottom plan view thereof.

**1 Claim, 7 Drawing Sheets**



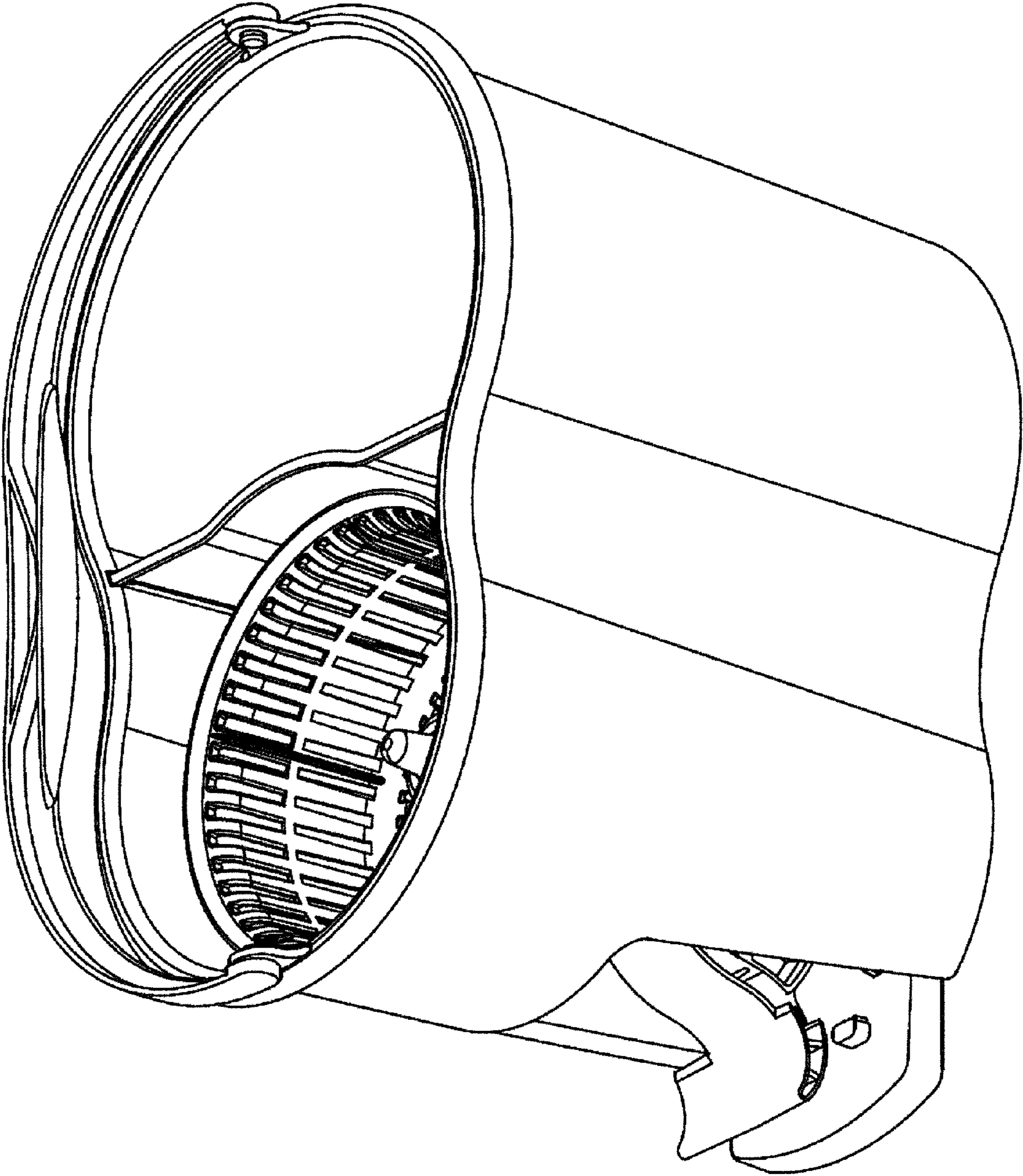


FIG. 1

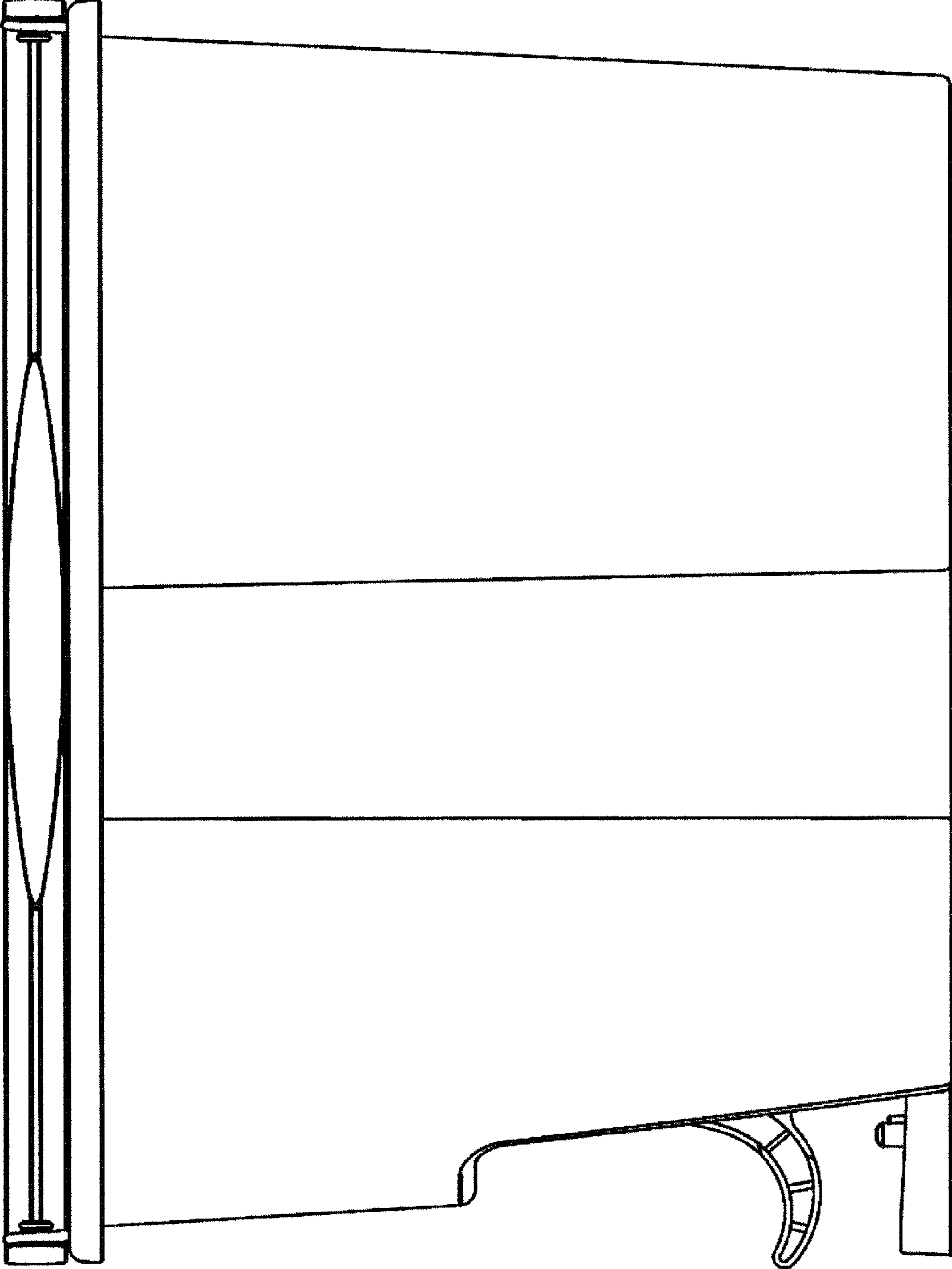


FIG. 2

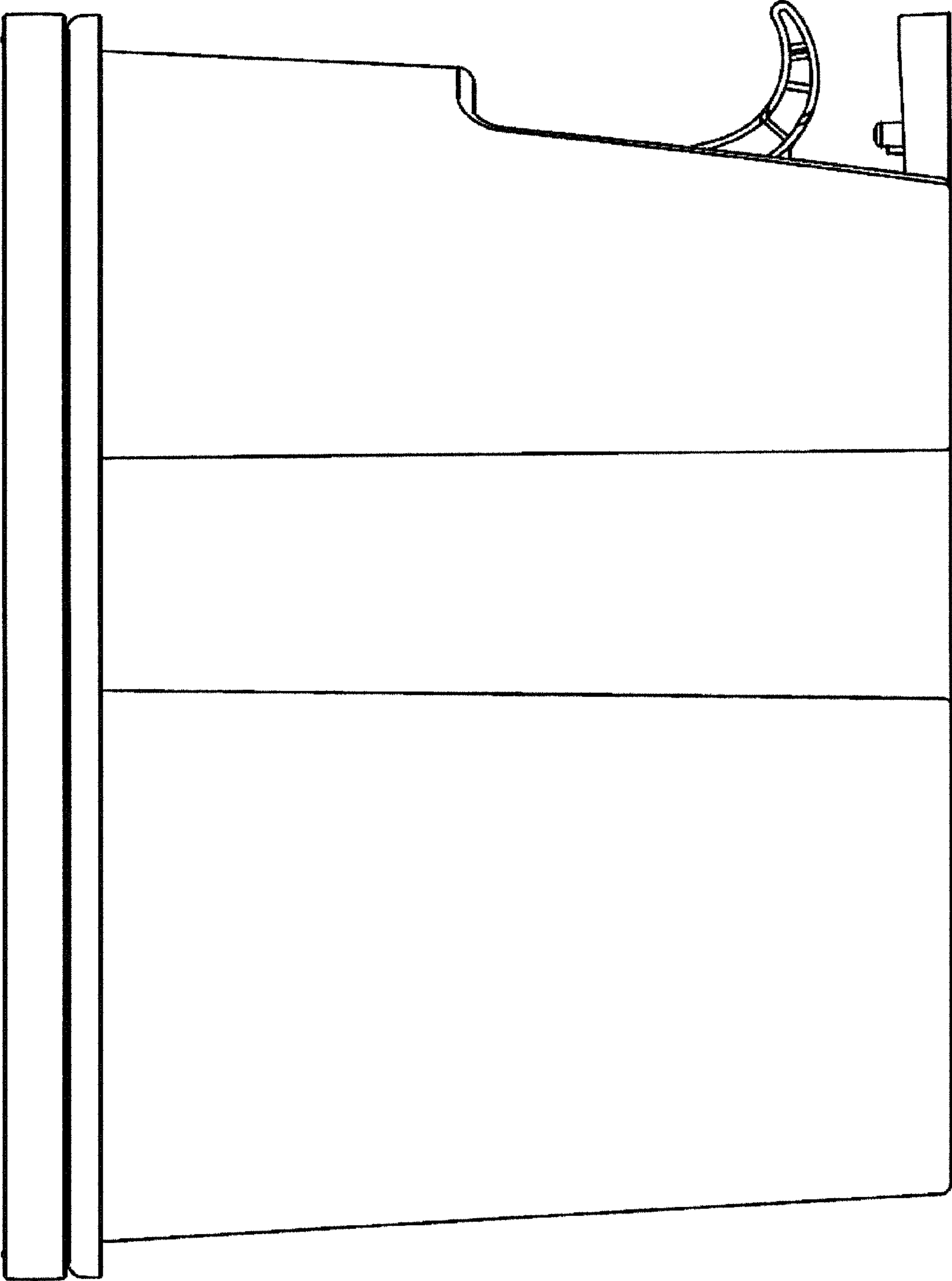


FIG. 3

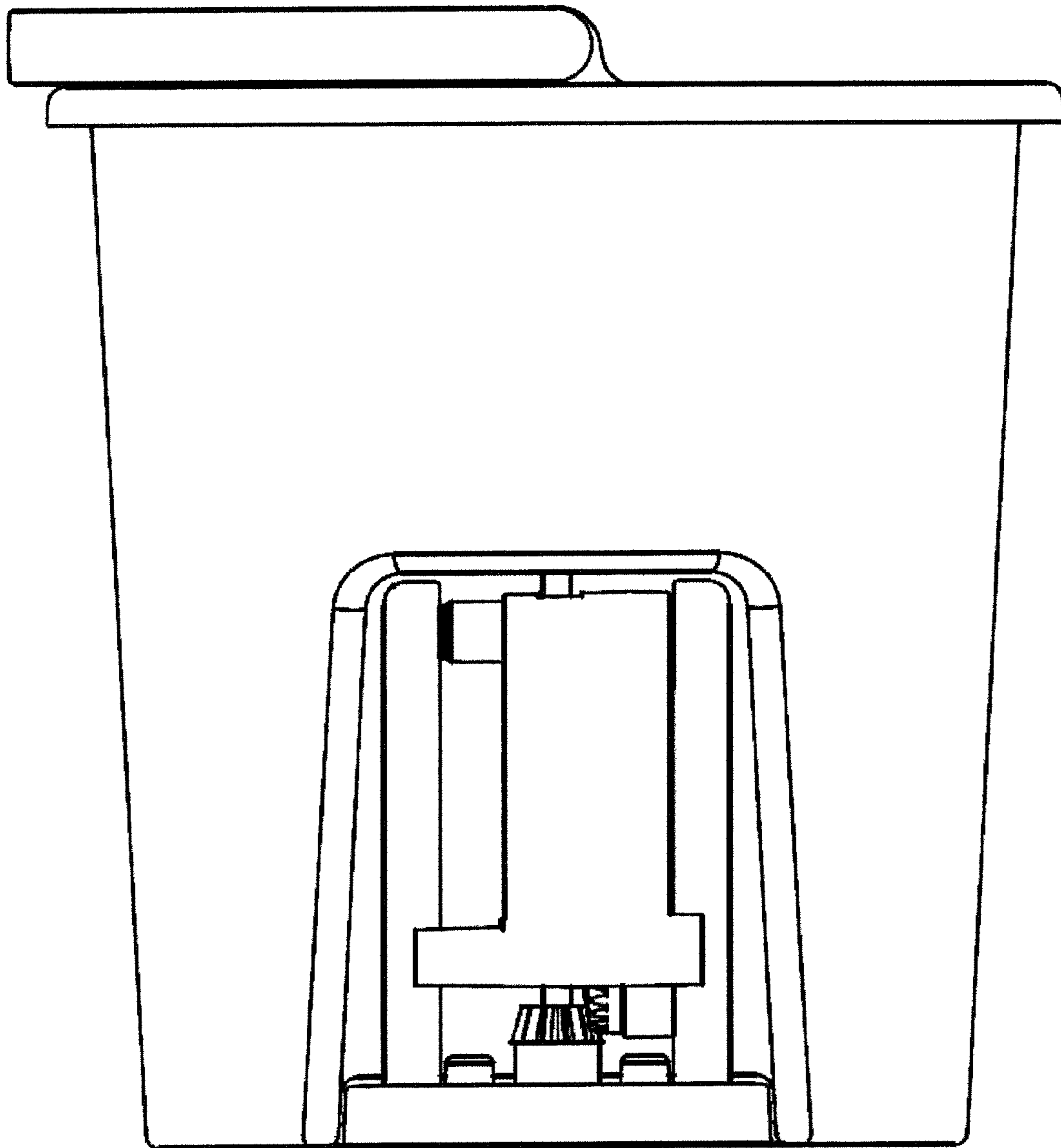


FIG. 4

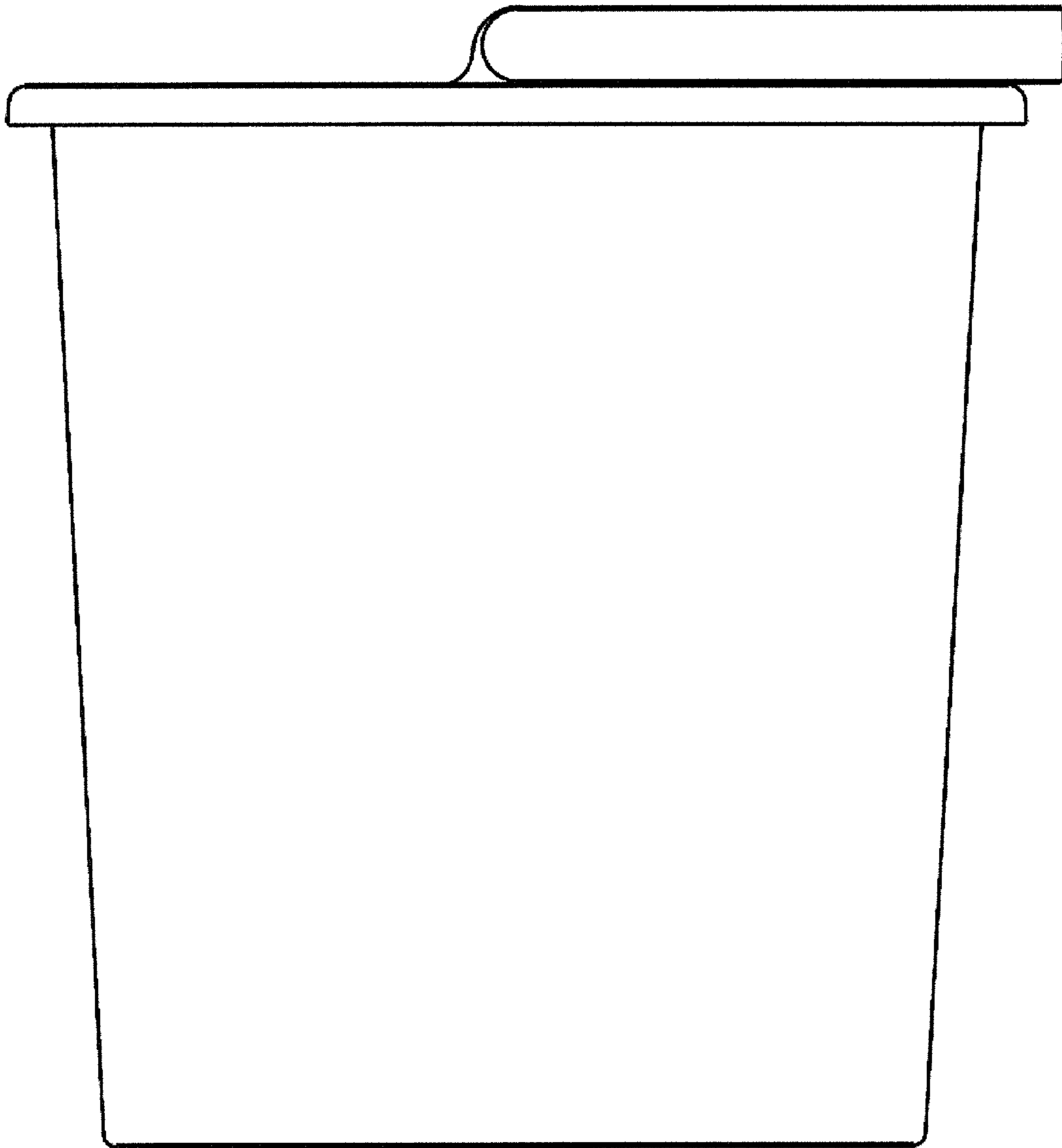


FIG. 5

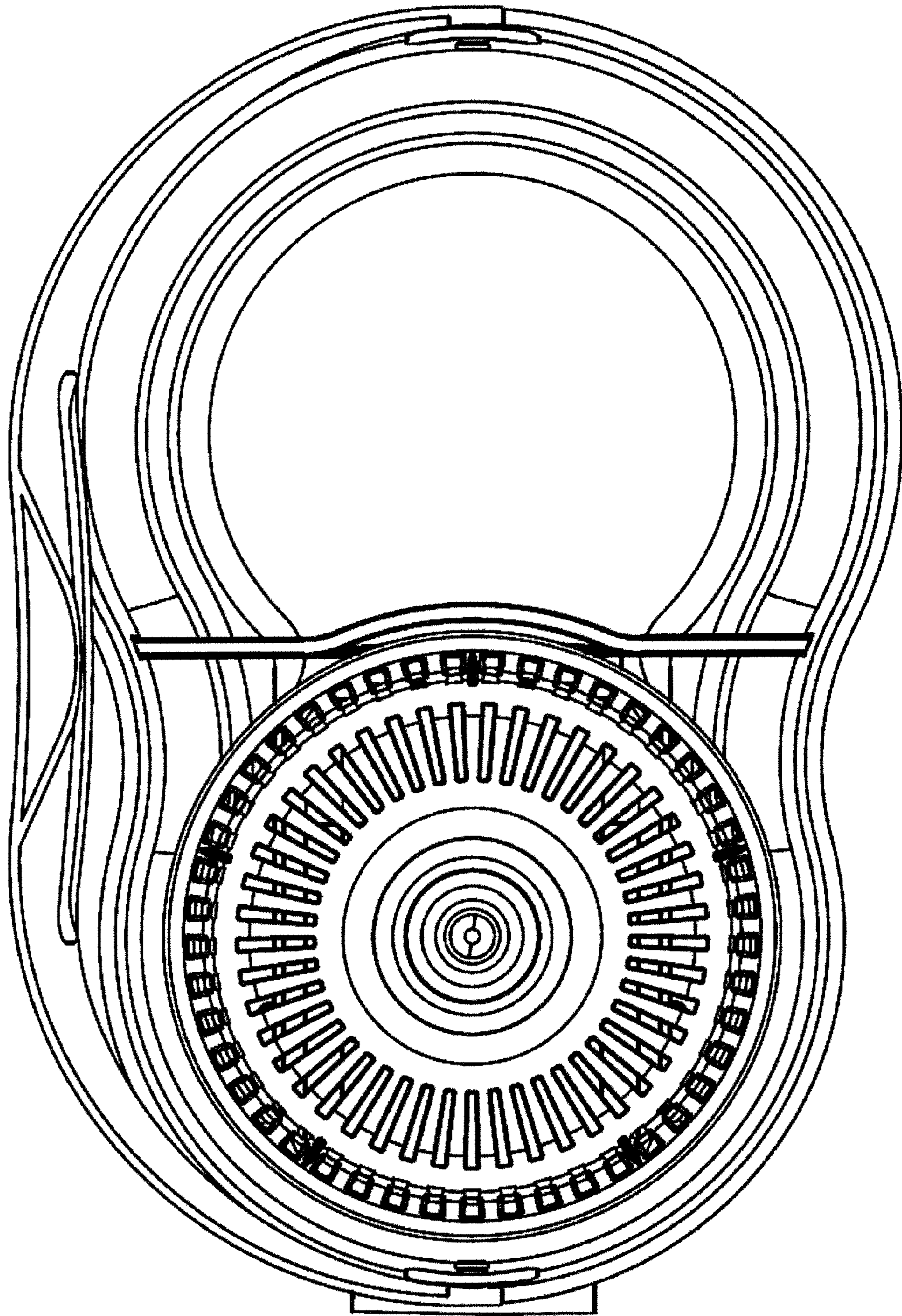


FIG. 6

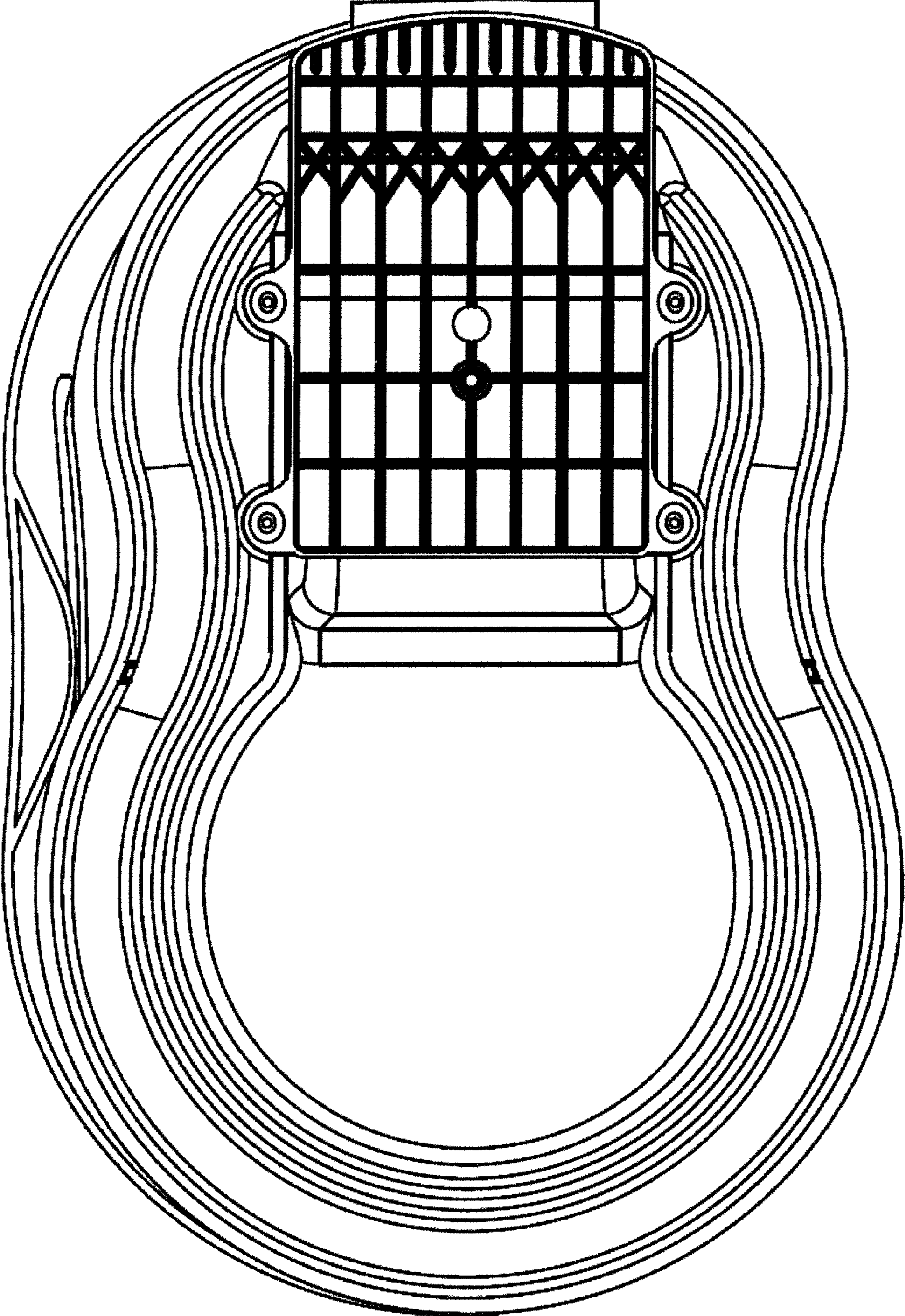


FIG. 7