



US00D741560S

(12) **United States Design Patent**
Bennett et al.

(10) **Patent No.:** **US D741,560 S**
(45) **Date of Patent:** **** Oct. 20, 2015**

(54) **ATTACHMENT FOR A CLEANER APPARATUS**

(71) Applicant: **Techtronic Floor Care Technology Limited**, Tortola (VG)
(72) Inventors: **Samuel W. Bennett**, Birmingham (GB);
Jennifer K. Marsden, Birmingham (GB)
(73) Assignee: **Techtronic Floor Care Technology Limited**, Tortola (VG)

(**) Term: **14 Years**

(21) Appl. No.: **29/479,165**

(22) Filed: **Jan. 13, 2014**

(30) **Foreign Application Priority Data**

Jul. 16, 2013 (EM) 002275271

(51) **LOC (10) Cl.** **15-05**

(52) **U.S. Cl.**
USPC **D32/32**

(58) **Field of Classification Search**
USPC D32/17-18, 31-34, 25, 40, 50;
D23/223
CPC E04H 4/1654; A47L 9/02; A47L 9/06;
A47L 9/0606; A47L 9/062; A47L 9/0633;
A47L 9/0693; A47L 11/4086; A47L 11/30;
A47L 7/009; A47L 7/0009; A47L 5/28;
A47L 5/36; A47L 13/225; A47L 13/20;
A47L 13/12; A47L 13/16; A47L 11/4044;
C11D 17/049; C23G 5/04; D06C 7/00;
D06F 75/30; D06F 87/00; B08B 3/02

See application file for complete search history.

(56) **References Cited**

U.S. PATENT DOCUMENTS

D468,499	S	*	1/2003	Kitts	D32/32
D482,168	S	*	11/2003	Warburton	D32/32
D507,854	S	*	7/2005	Kim	D32/32
D522,197	S	*	5/2006	Dyson et al.	D32/32
D543,669	S	*	5/2007	Ikeno et al.	D32/32
D556,963	S	*	12/2007	Houghton et al.	D32/32
D565,262	S	*	3/2008	Dyson et al.	D32/32
D580,611	S	*	11/2008	Roschi	D32/33
D643,169	S	*	8/2011	Calvert	D32/33
D643,582	S	*	8/2011	Ashbee et al.	D32/33
D649,725	S	*	11/2011	Fjellman	D32/32

(Continued)

OTHER PUBLICATIONS

Co-pending U.S. Appl. No. 29/479,162, filed Jan. 13, 2014.

(Continued)

Primary Examiner — Ruth McInroy

(74) *Attorney, Agent, or Firm* — Michael Best & Friedrich LLP

(57) **CLAIM**

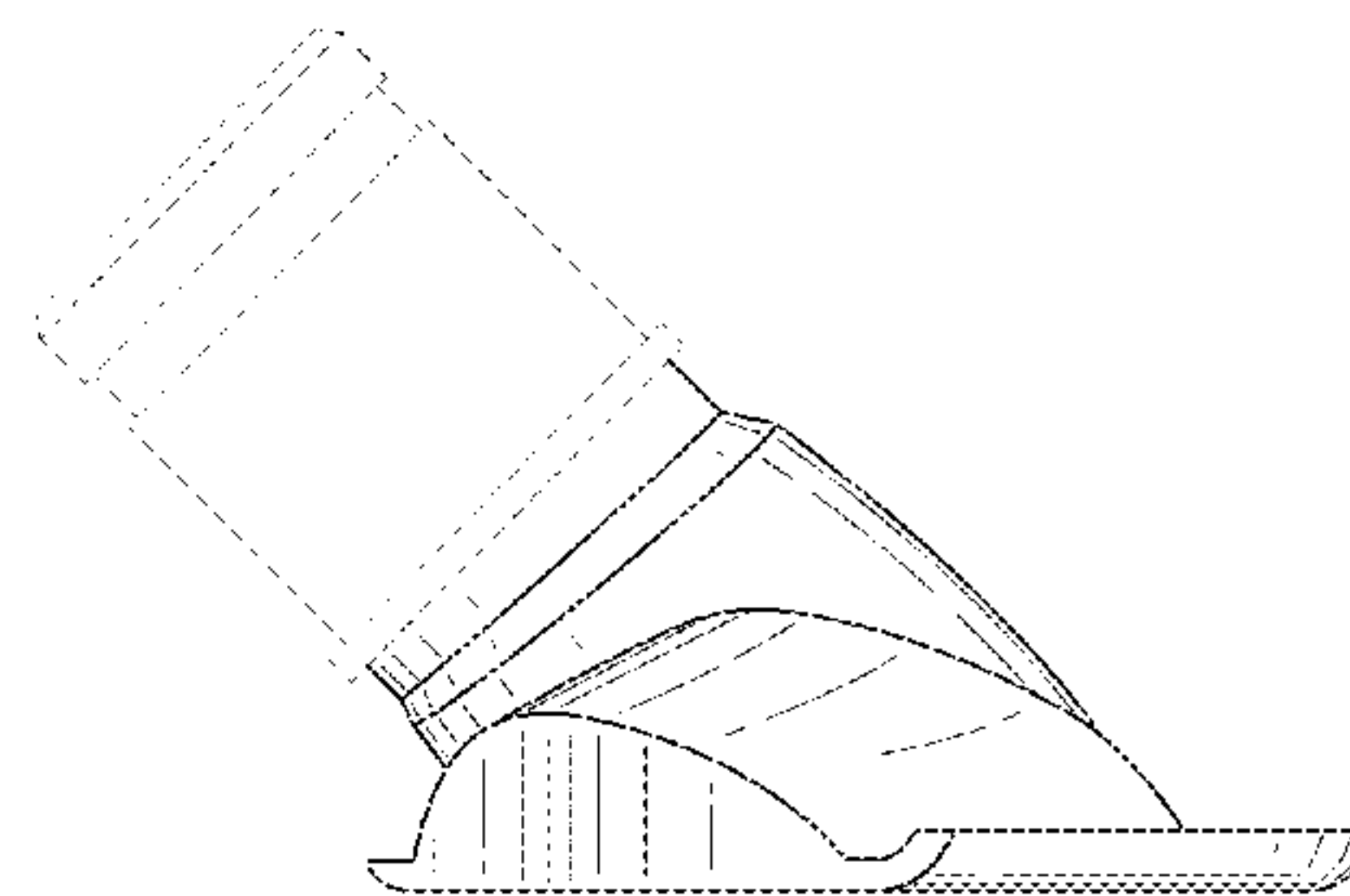
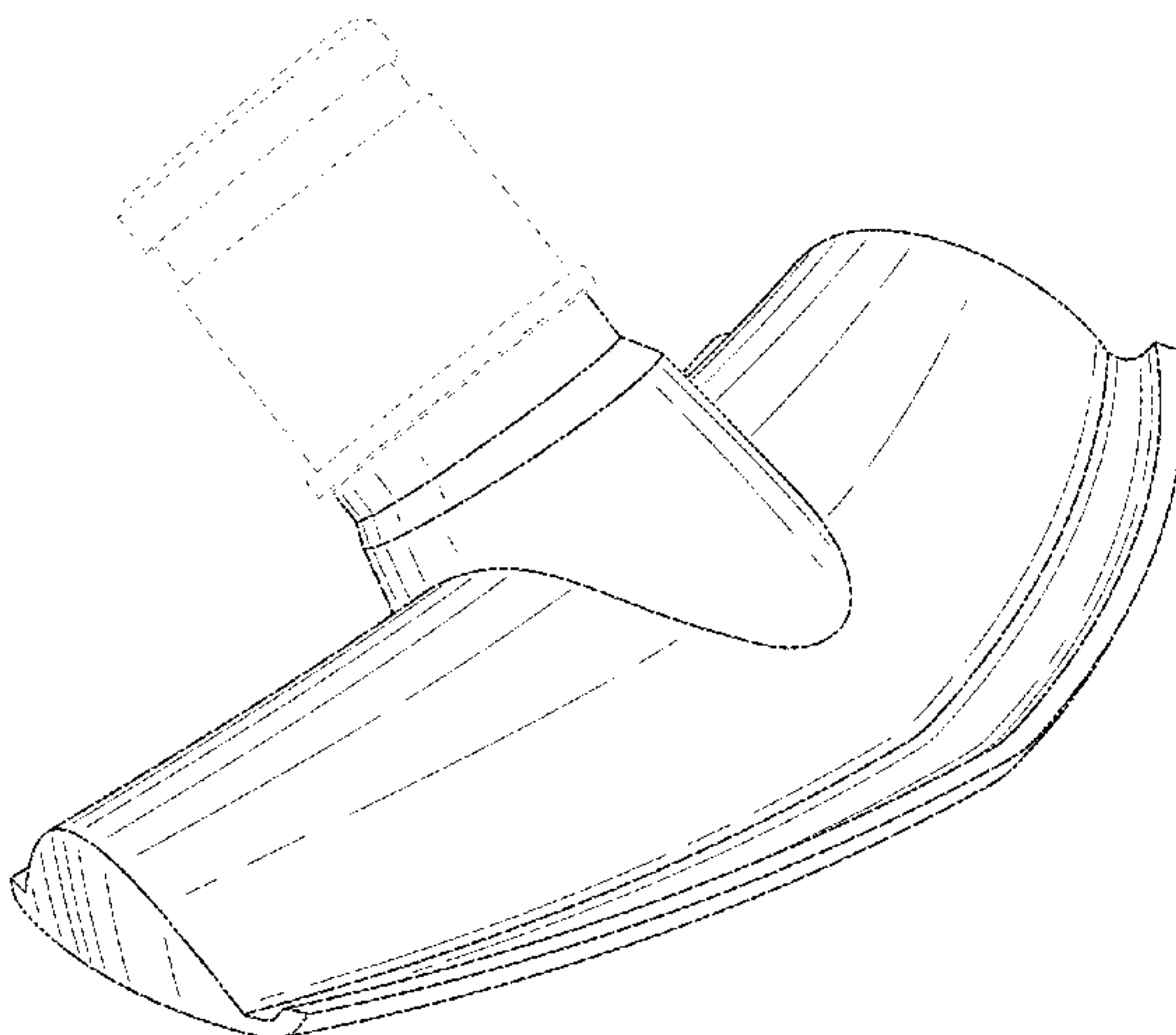
We claim the ornamental design for an attachment for a cleaning apparatus, as shown and described.

DESCRIPTION

FIG. 1 is a perspective view of an attachment for a cleaning apparatus embodying the invention;
FIG. 2 is a right side view of the attachment for a cleaning apparatus of FIG. 1;
FIG. 3 is a left side view of the attachment for a cleaning apparatus of FIG. 1;
FIG. 4 is a front view of the attachment for a cleaning apparatus of FIG. 1;
FIG. 5 is a rear view of the attachment for a cleaning apparatus of FIG. 1; and,
FIG. 6 is a top view of the attachment for a cleaning apparatus of FIG. 1.

The elements shown in broken lines are included for the purpose of illustrating environment and form no part of the claimed design.

1 Claim, 5 Drawing Sheets



(56)

References Cited

OTHER PUBLICATIONS

U.S. PATENT DOCUMENTS

D698,510 S *	1/2014	Chu et al.	D32/32
D706,504 S *	6/2014	Park et al.	D32/33
2002/0092124 A1 *	7/2002	Scian et al.	15/415.1
2004/0031506 A1 *	2/2004	Tsai	134/105
2006/0213026 A1 *	9/2006	Lijzenga et al.	15/368

Co-pending U.S. Appl. No. 29/479,166, filed Jan. 13, 2014.

Co-pending U.S. Appl. No. 29/479,167, filed Jan. 13, 2014.

* cited by examiner

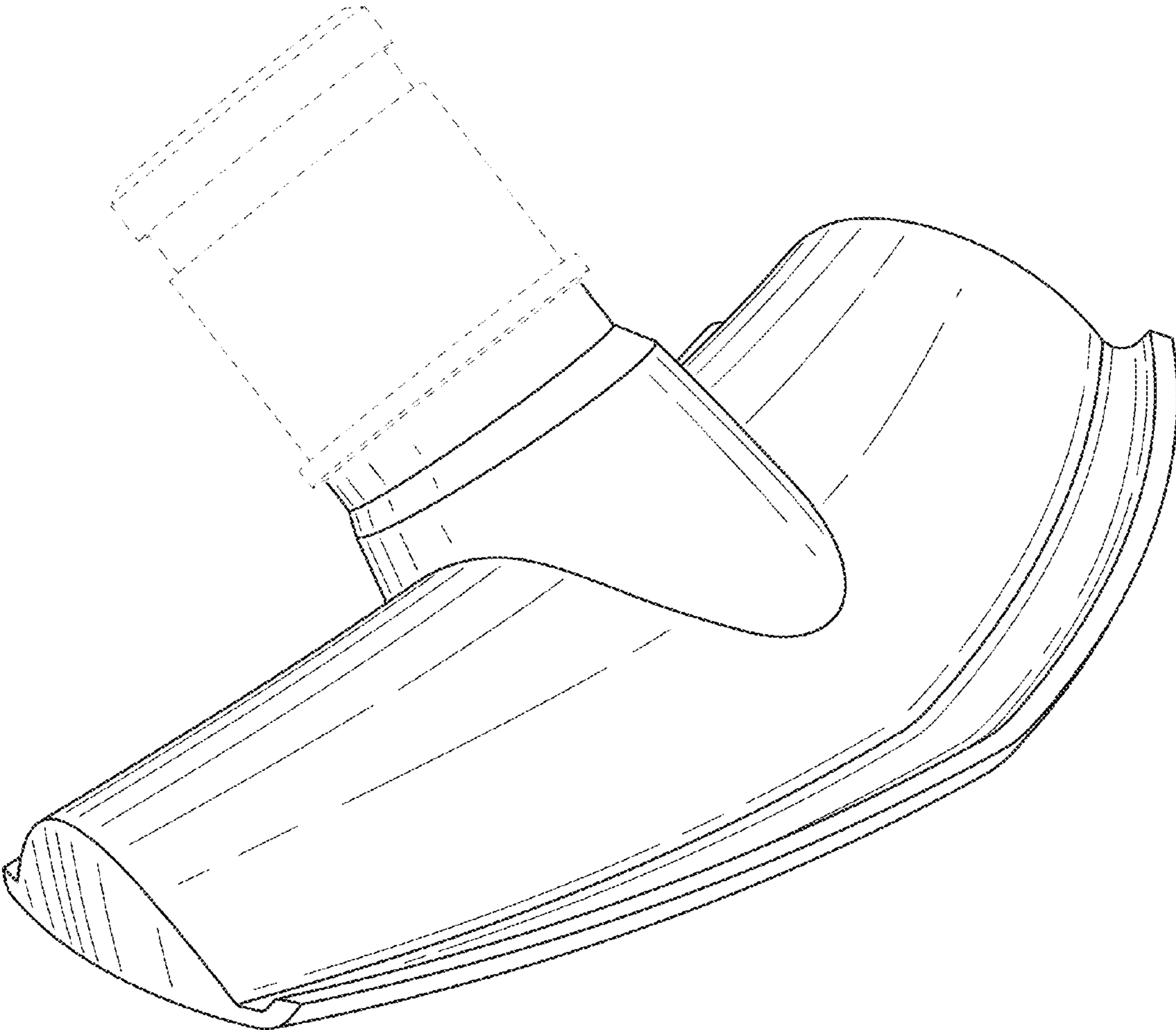


FIG. 1

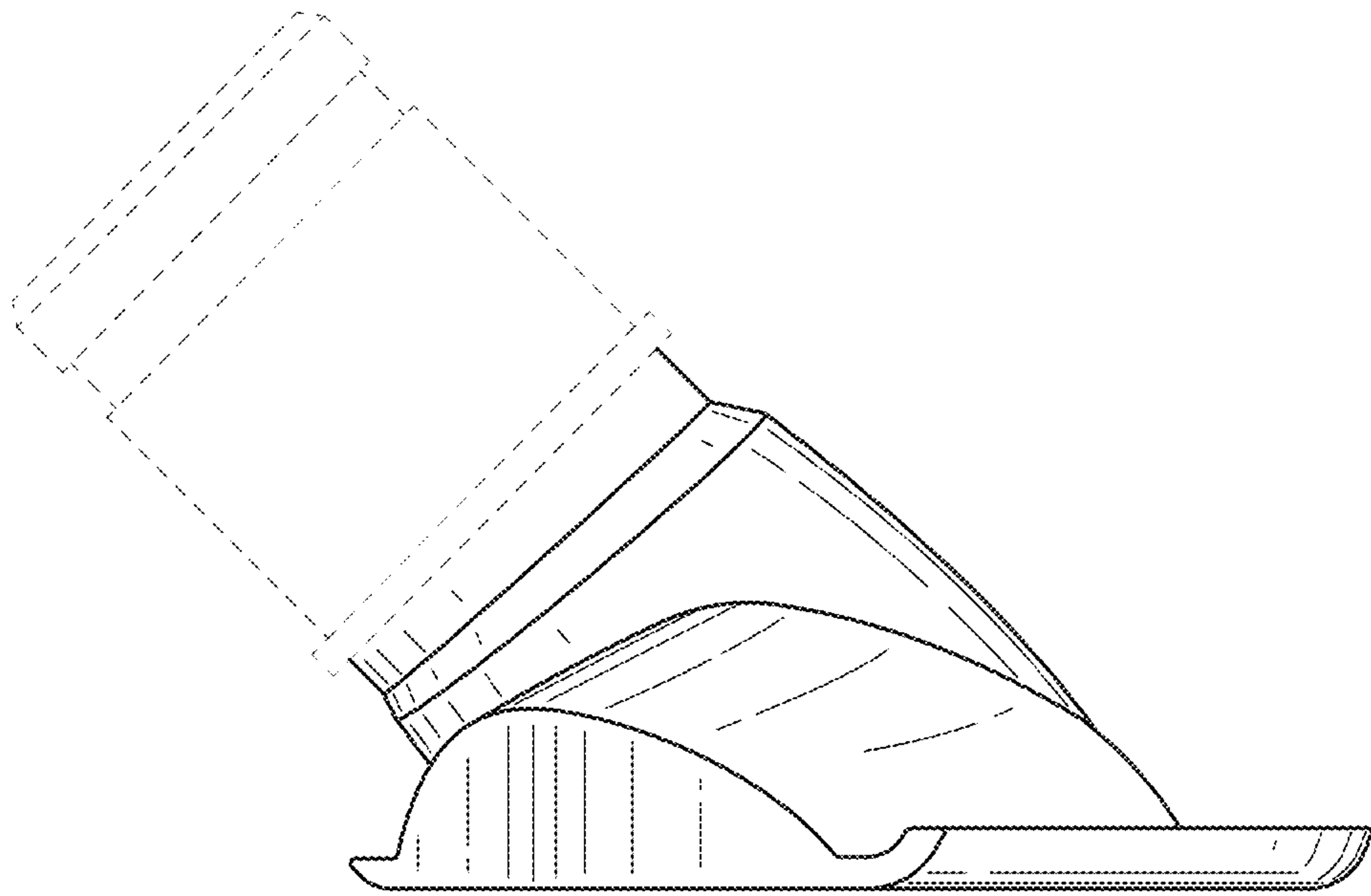


FIG. 2

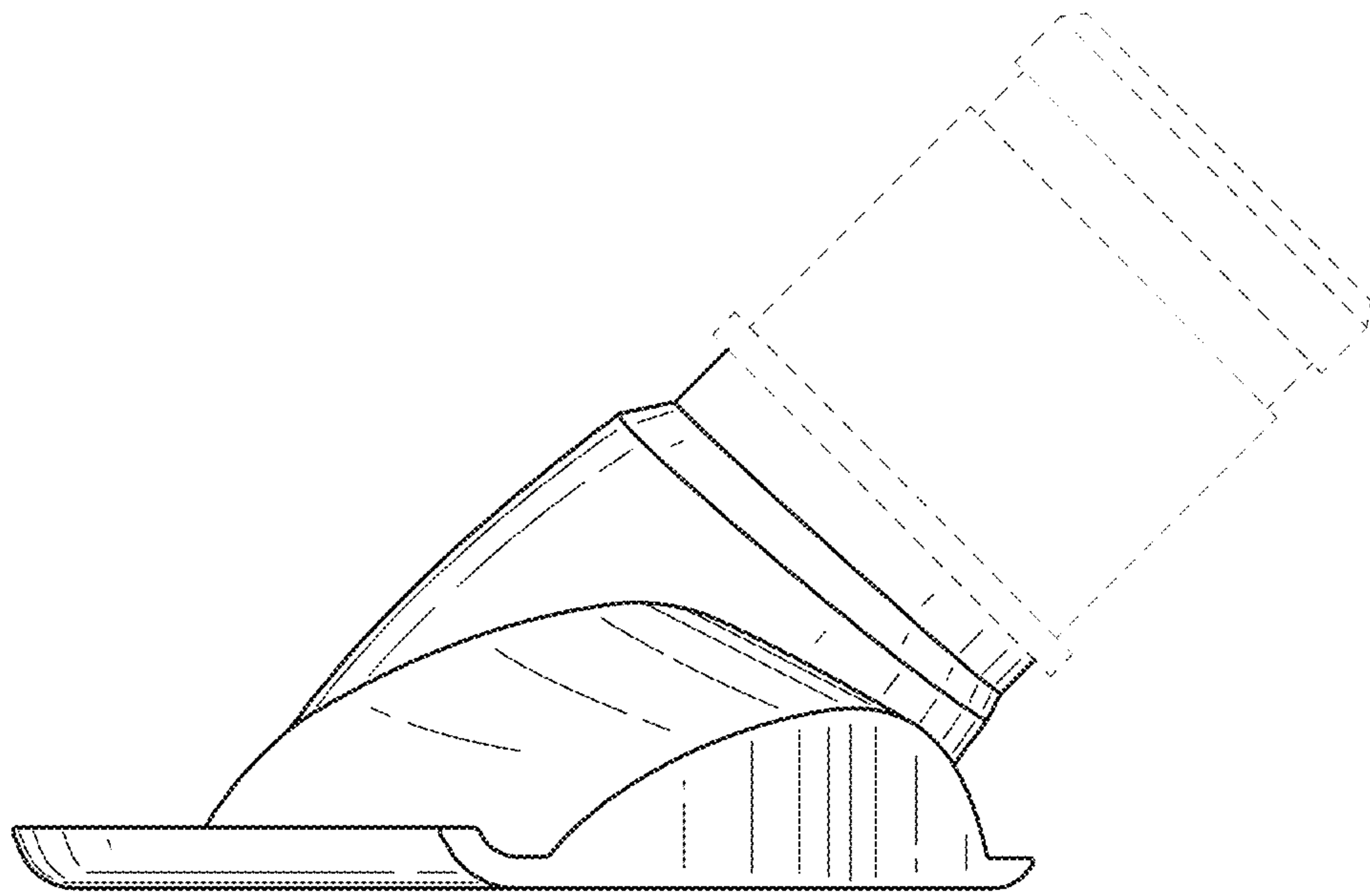


FIG. 3

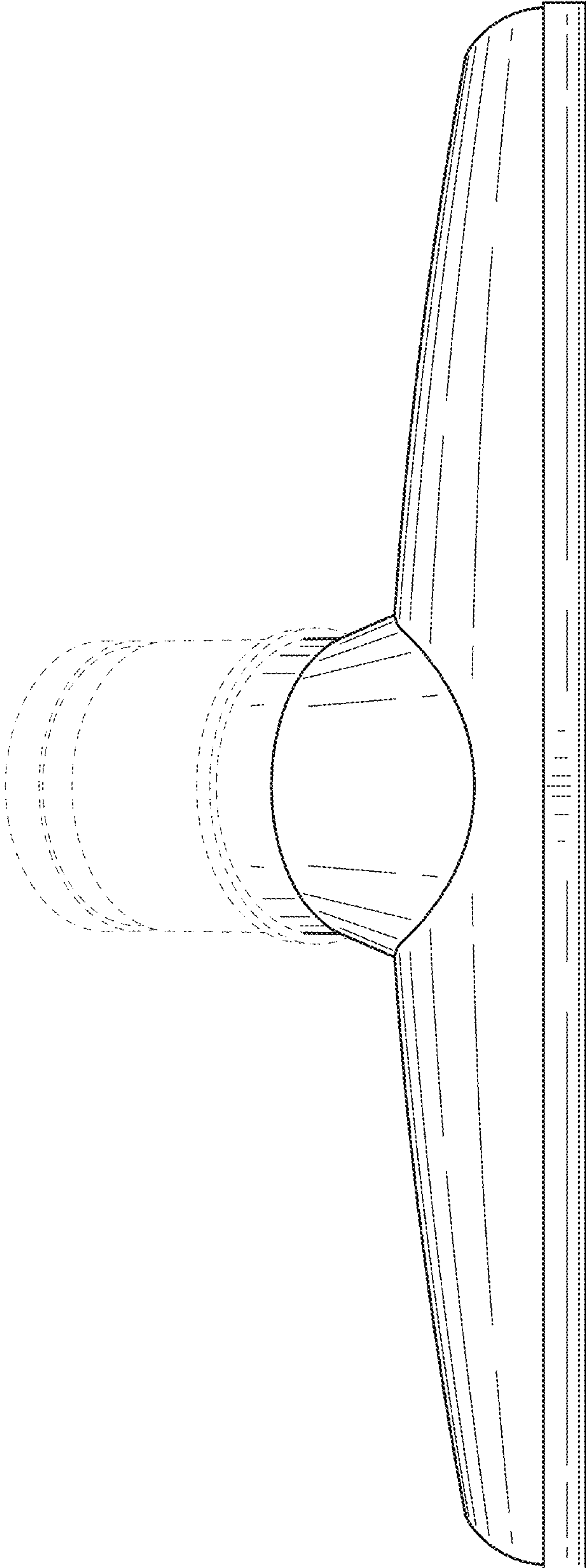


FIG. 4

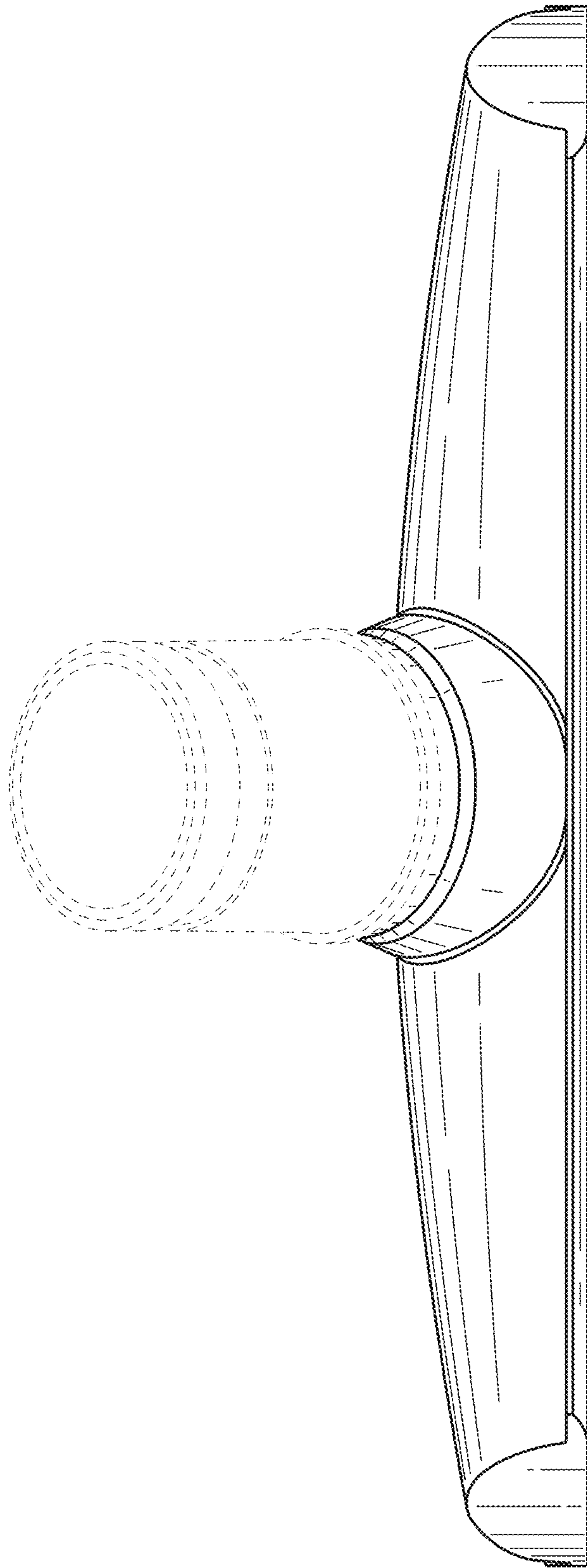


FIG. 5

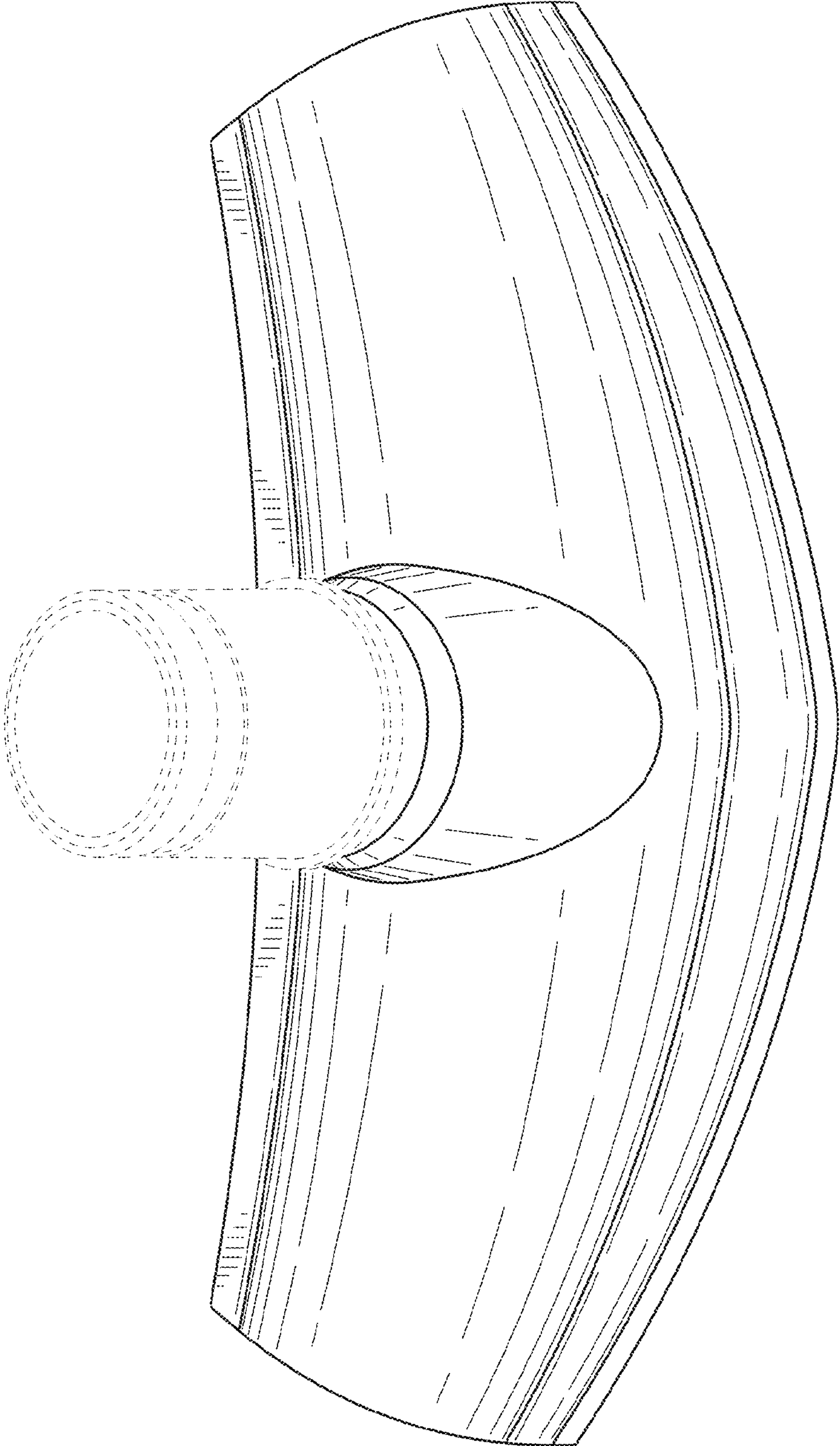


FIG. 6