



US00D741559S

(12) **United States Design Patent**  
**Marsden et al.**

(10) **Patent No.:** **US D741,559 S**  
(45) **Date of Patent:** **\*\* Oct. 20, 2015**

- (54) **FLOOR CLEANING TOOL**
- (71) Applicant: **Techtronic Floor Care Technology Limited**, Tortola (VG)
- (72) Inventors: **Jennifer Kathryn Marsden**, Birmingham (GB); **Colin Noble**, Shropshire (GB)
- (73) Assignee: **Techtronic Floor Care Technology Limited**, Tortola (VG)
- (\*\*) Term: **14 Years**
- (21) Appl. No.: **29/471,493**
- (22) Filed: **Nov. 1, 2013**
- (30) **Foreign Application Priority Data**

D449,724 S *	10/2001	Nighy et al.	.....	D32/32
D456,967 S *	5/2002	Santiago	.....	D32/32
D507,854 S *	7/2005	Kim	.....	D32/32
D511,231 S *	11/2005	Langham et al.	.....	D32/33
D564,720 S *	3/2008	Dyson et al.	.....	D32/32
D599,515 S *	9/2009	Davies et al.	.....	D32/32
D600,869 S *	9/2009	Dyson et al.	.....	D32/32
D616,164 S *	5/2010	McLeod et al.	.....	D32/32
D621,108 S *	8/2010	Santiago	.....	D32/32
D643,168 S *	8/2011	Dyson et al.	.....	D32/32
D649,725 S *	11/2011	Fjellman	.....	D32/32
D667,186 S *	9/2012	Codling et al.	.....	D32/33
D672,103 S *	12/2012	Dyson et al.	.....	D32/32
D698,510 S *	1/2014	Chu et al.	.....	D32/32
2009/0049642 A1 *	2/2009	Oh et al.	.....	15/332

\* cited by examiner

- May 2, 2013 (CN) ..... 2013 3 0152716
- (51) **LOC (10) Cl.** ..... **15-05**
- (52) **U.S. Cl.**  
USPC ..... **D32/32**
- (58) **Field of Classification Search**  
USPC ..... D32/17-18, 31-34, 25, 40, 50;  
D23/223  
CPC ..... E04H 4/1654; A47L 9/02; A47L 9/06;  
A47L 9/0606; A47L 9/062; A47L 9/0633;  
A47L 9/0693; A47L 11/4086; A47L 11/30;  
A47L 7/009; A47L 7/0009; A47L 5/28;  
A47L 5/36; A47L 13/225; A47L 13/20;  
A47L 13/12; A47L 13/16; A47L 11/4044;  
C11D 17/049; C23G 5/04; D06C 7/00;  
D06F 75/30; D06F 87/00; B08B 3/02  
See application file for complete search history.

*Primary Examiner* — Ruth McInroy

(74) *Attorney, Agent, or Firm* — Michael Best & Friedrich LLP

(57) **CLAIM**

We claim the ornamental design for a floor cleaning tool, as shown and described.

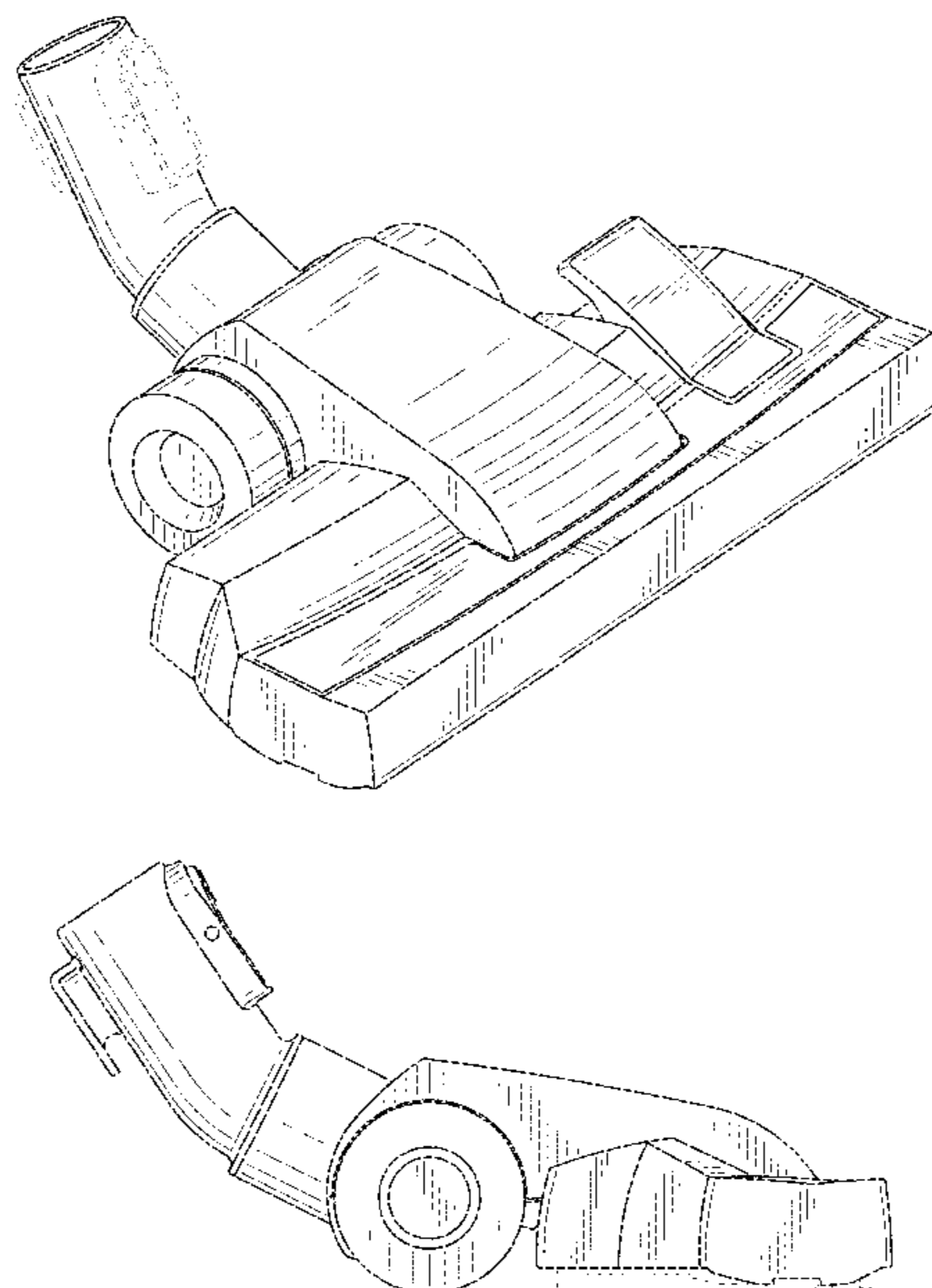
**DESCRIPTION**

FIG. 1 is a perspective view of a floor cleaning tool embodying the invention;  
 FIG. 2 is a left side view of the floor cleaning tool of FIG. 1;  
 FIG. 3 is a right side view of the floor cleaning tool of FIG. 1;  
 FIG. 4 is a front view of the floor cleaning tool of FIG. 1;  
 FIG. 5 is a rear view of the floor cleaning tool of FIG. 1;  
 FIG. 6 is a top view of the floor cleaning tool of FIG. 1; and,  
 FIG. 7 is a bottom view of the floor cleaning tool of FIG. 1.  
 The elements shown in broken lines are included for the purpose of illustrating environment and form no part of the claimed design.

- (56) **References Cited**  
U.S. PATENT DOCUMENTS

D333,539 S *	2/1993	Kramer et al.	.....	D32/32
D427,737 S *	7/2000	Dyson et al.	.....	D32/32

**1 Claim, 5 Drawing Sheets**



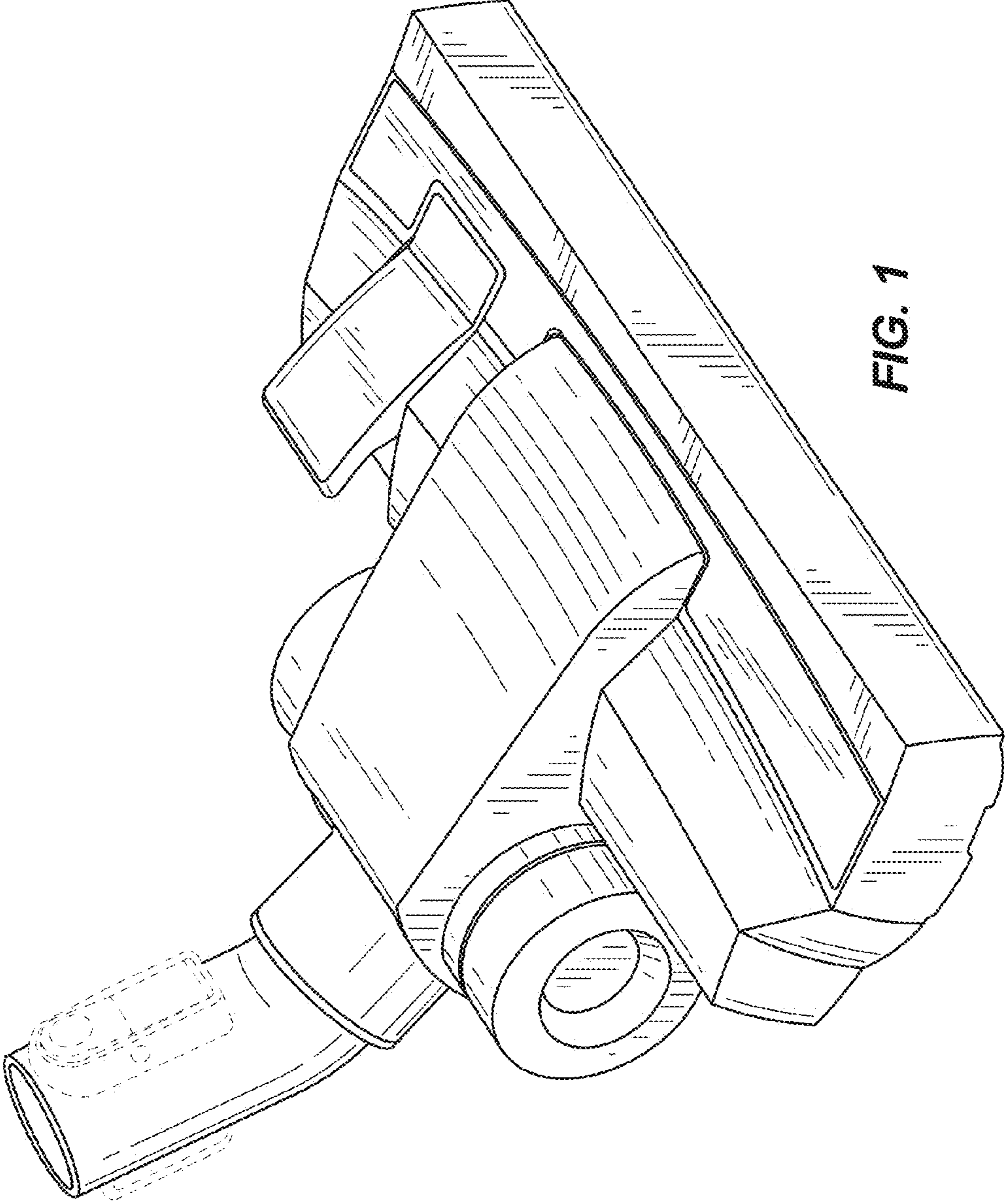
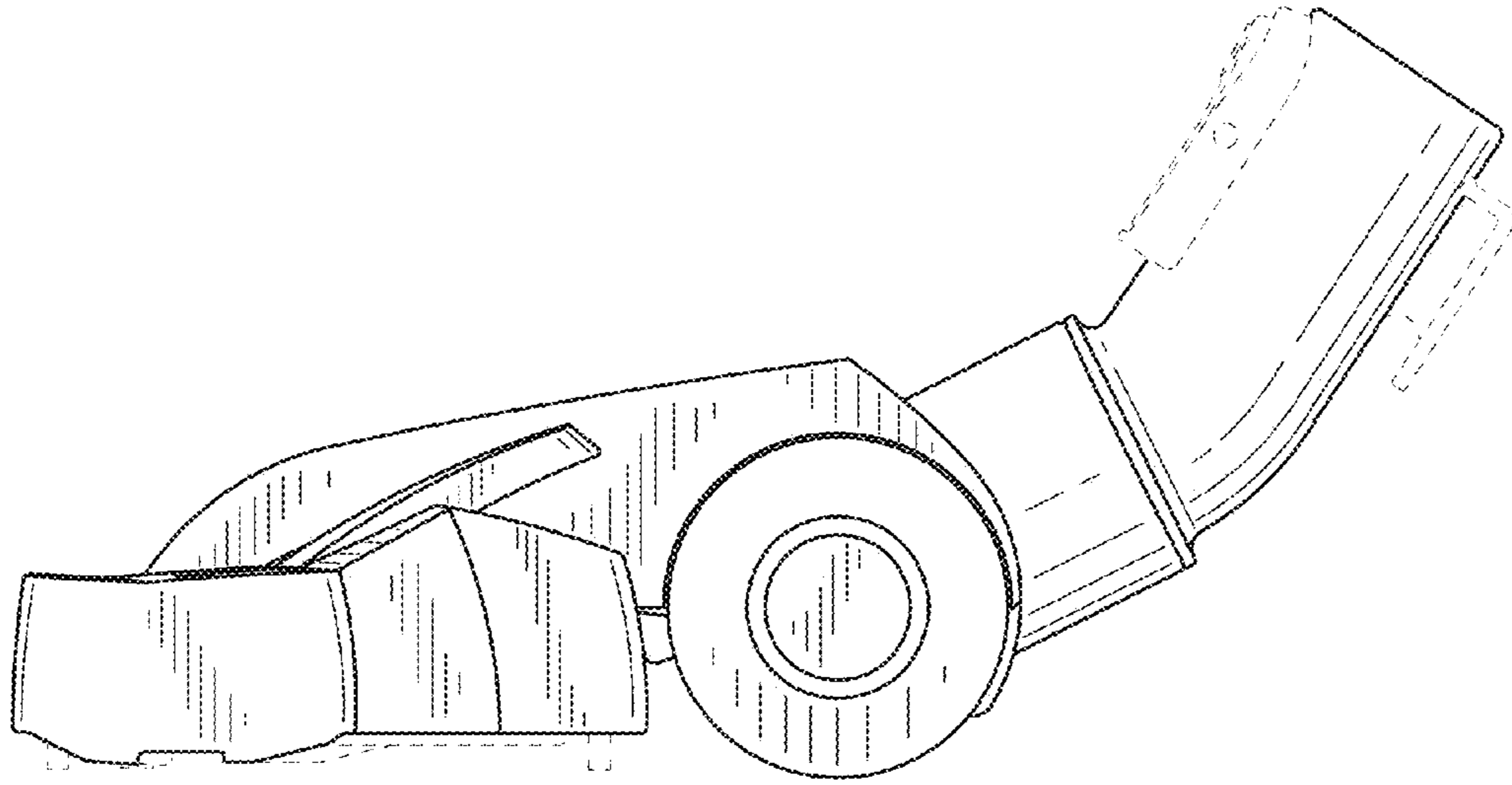
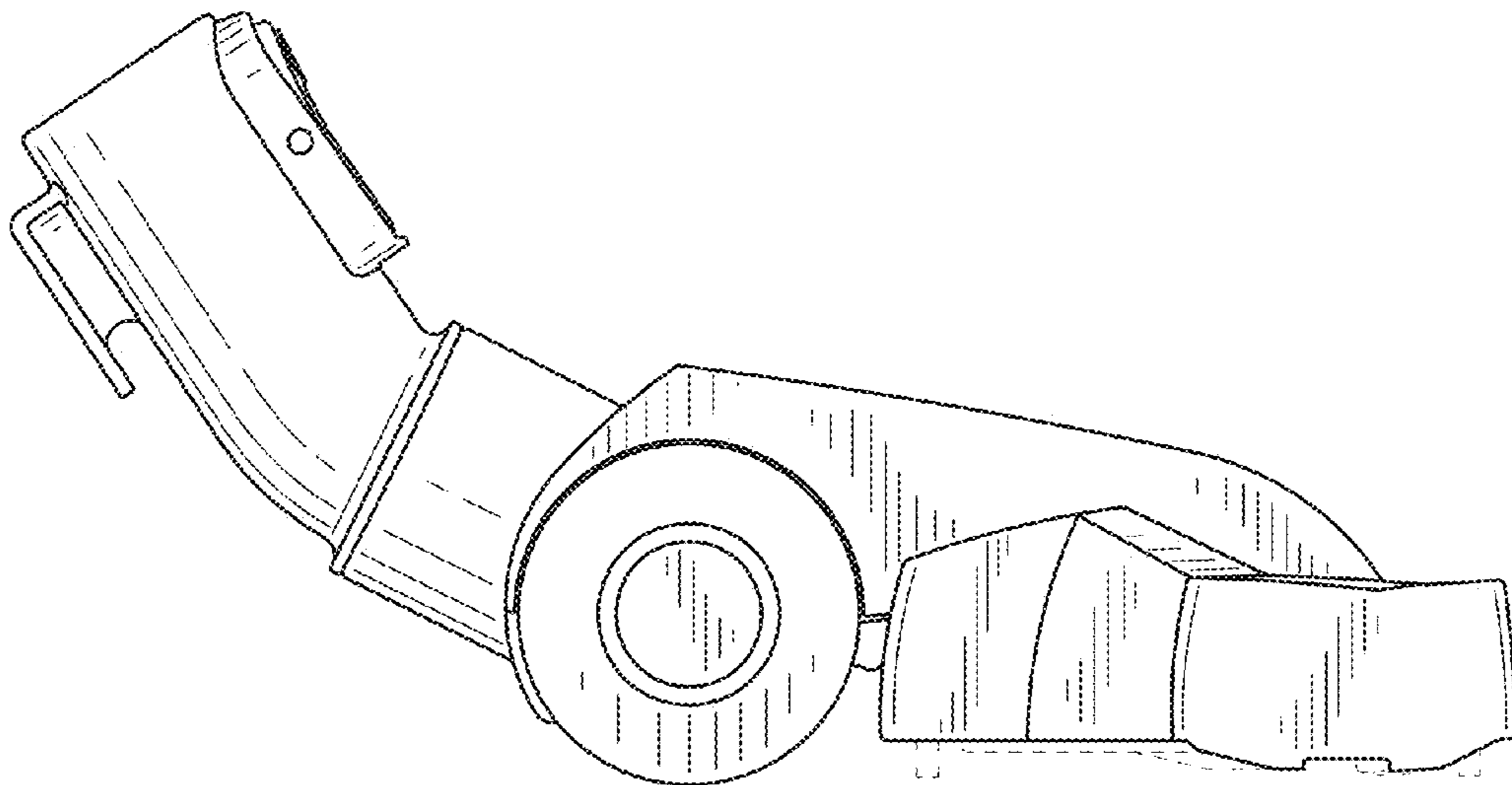


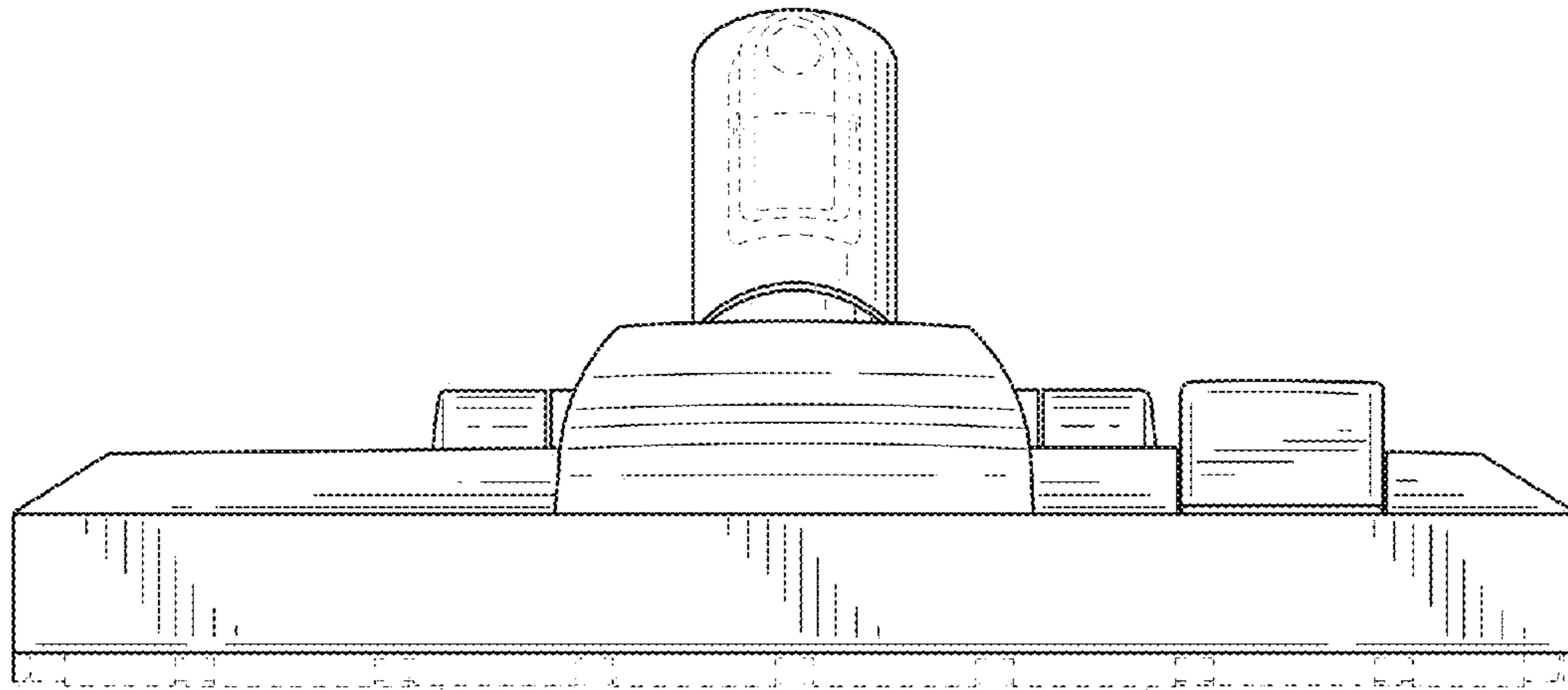
FIG. 1



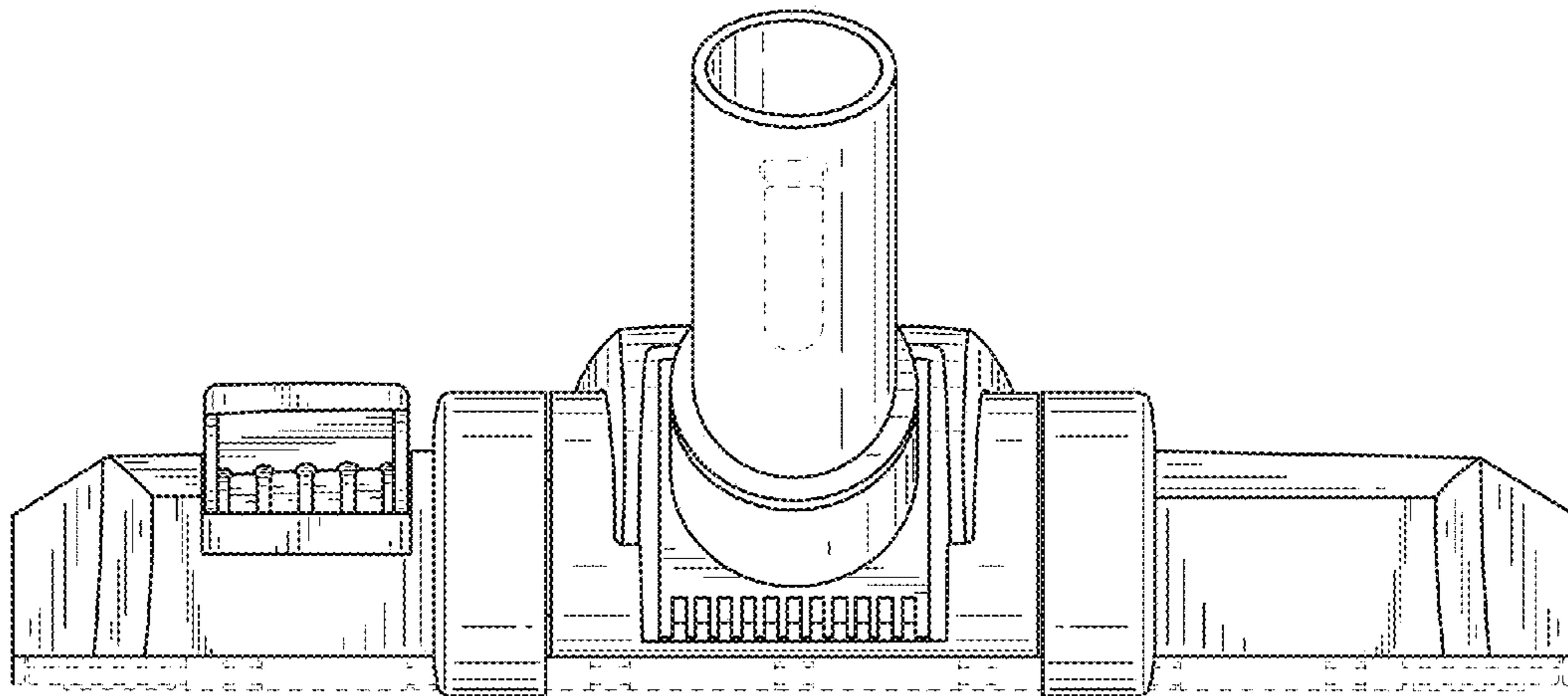
**FIG. 2**



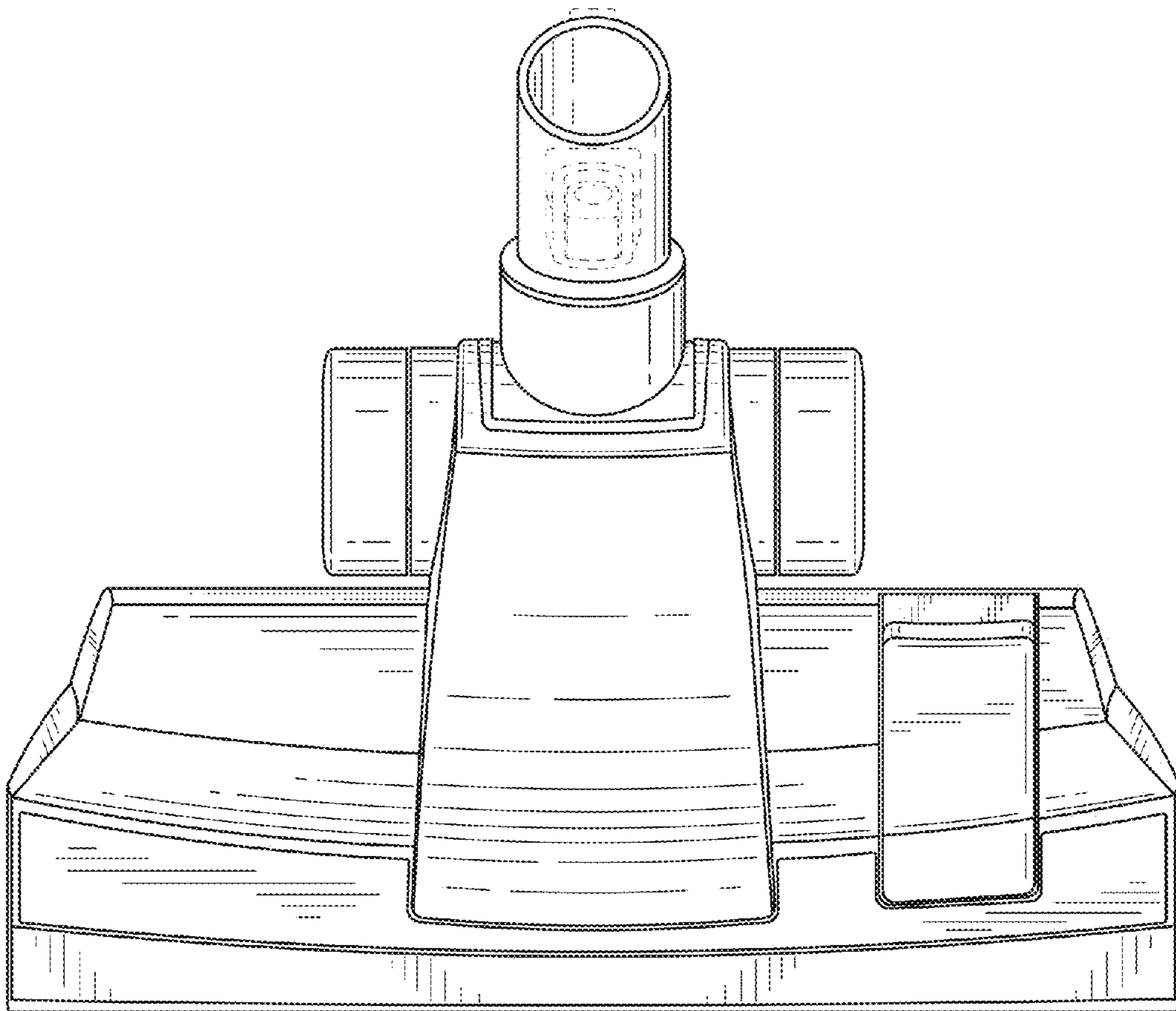
**FIG. 3**



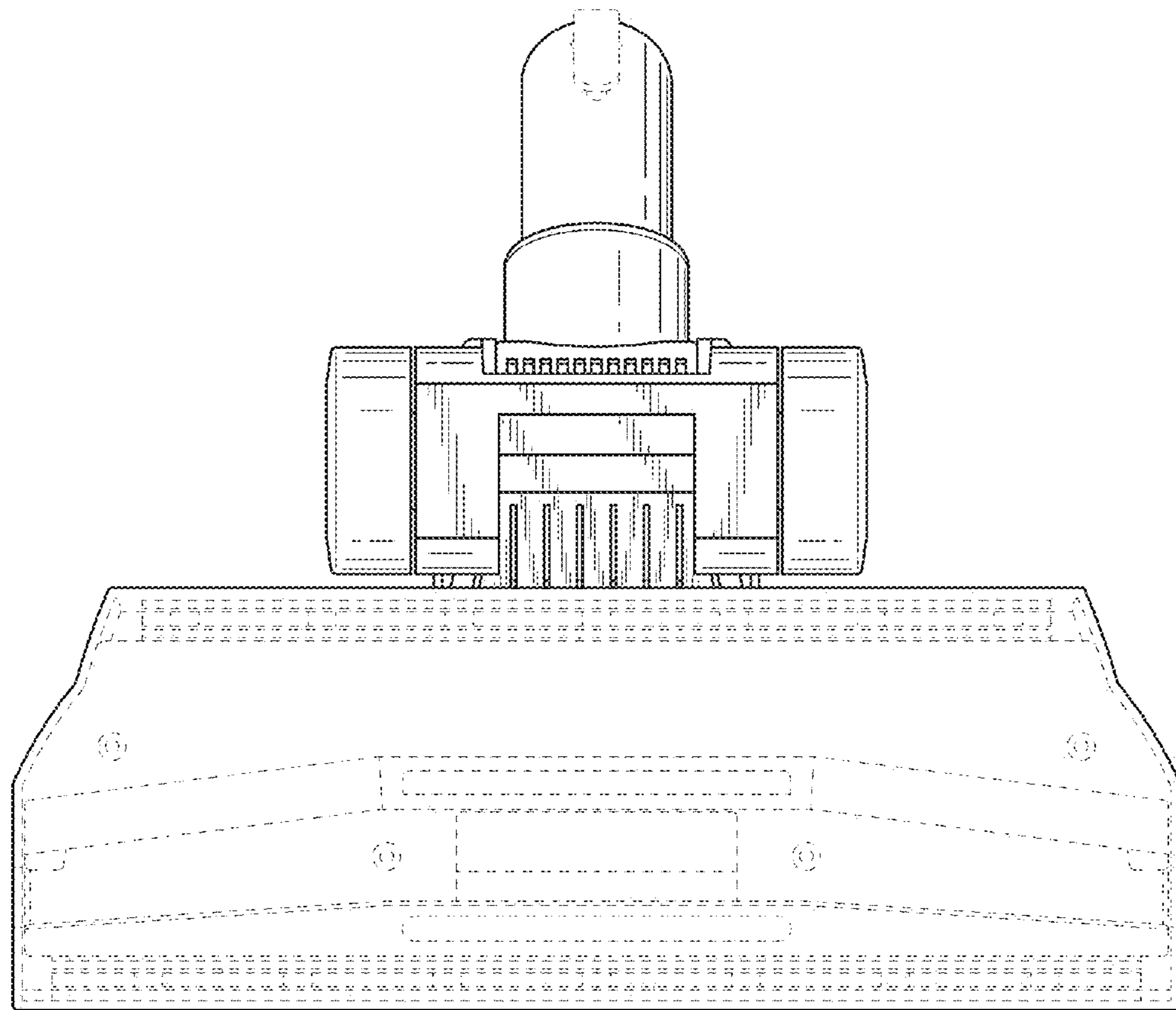
**FIG. 4**



**FIG. 5**



**FIG. 6**



**FIG. 7**