



US00D741556S

(12) **United States Design Patent**
Lee et al.

(10) **Patent No.:** **US D741,556 S**
(45) **Date of Patent:** **** Oct. 20, 2015**

(54) **NOZZLE FOR DISHWASHER**
(71) Applicant: **Samsung Electronics Co., Ltd.**,
Suwon-si, Gyeonggi-do (KR)
(72) Inventors: **Jae-Moon Lee**, Seoul (KR); **Jae-Jun Kim**, Seoul (KR); **Ji-Young Shin**, Seoul (KR)
(73) Assignee: **SAMSUNG ELECTRONICS CO., LTD.** (KR)

D314,255	S	*	1/1991	Brito	D32/3
5,427,129	A	*	6/1995	Young et al.	134/176
5,546,968	A	*	8/1996	Jeon et al.	134/179
D376,451	S	*	12/1996	Osborn	D32/3
5,579,789	A	*	12/1996	Spiegel	134/104.1
5,673,714	A	*	10/1997	Campagnolo et al.	134/57 D
5,944,037	A	*	8/1999	Sinyong et al.	134/176
D461,284	S	*	8/2002	Hegeman et al.	D32/3
7,980,260	B2	*	7/2011	Bertsch et al.	134/181
8,287,660	B2	*	10/2012	Chen et al.	134/56 D
D675,386	S	*	1/2013	Burrows et al.	D32/3
D675,387	S	*	1/2013	Burrows et al.	D32/3
D718,007	S	*	11/2014	Baldwin et al.	D32/3
D720,509	S	*	12/2014	Baldwin et al.	D32/3

(**) Term: **14 Years**

* cited by examiner

(21) Appl. No.: **29/494,748**

Primary Examiner — T. Chase Nelson

(22) Filed: **Jun. 24, 2014**

Assistant Examiner — Michelle E Wilson

(30) **Foreign Application Priority Data**

(74) *Attorney, Agent, or Firm* — Cantor Colburn LLP

Dec. 26, 2013 (KR) 30-2013-0065407

(51) **LOC (10) Cl.** **15-05**

(52) **U.S. Cl.**
USPC **D32/3**

(58) **Field of Classification Search**
USPC D32/1, 2, 3, 25, 28
CPC A47L 15/4221; A47L 15/4223
See application file for complete search history.

(57) **CLAIM**

The ornamental design for a nozzle for dishwasher, as shown and described.

(56) **References Cited**

U.S. PATENT DOCUMENTS

1,408,077	A	*	2/1922	Clinton	239/227
1,733,249	A	*	10/1929	Clinton	239/255
3,160,164	A	*	12/1964	Constance et al.	134/176
4,884,585	A	*	12/1989	Oh	134/176

DESCRIPTION

FIG. 1 is a perspective view of a nozzle for dishwasher, showing our new design;
FIG. 2 is a front elevation view thereof;
FIG. 3 is a rear elevation view thereof;
FIG. 4 is a side elevation view thereof;
FIG. 5 is a another side elevation view thereof;
FIG. 6 is a top plan view thereof; and,
FIG. 7 is a bottom plan view thereof.

The broken lines are for environmental purpose only and form no part of the claimed design.

1 Claim, 4 Drawing Sheets

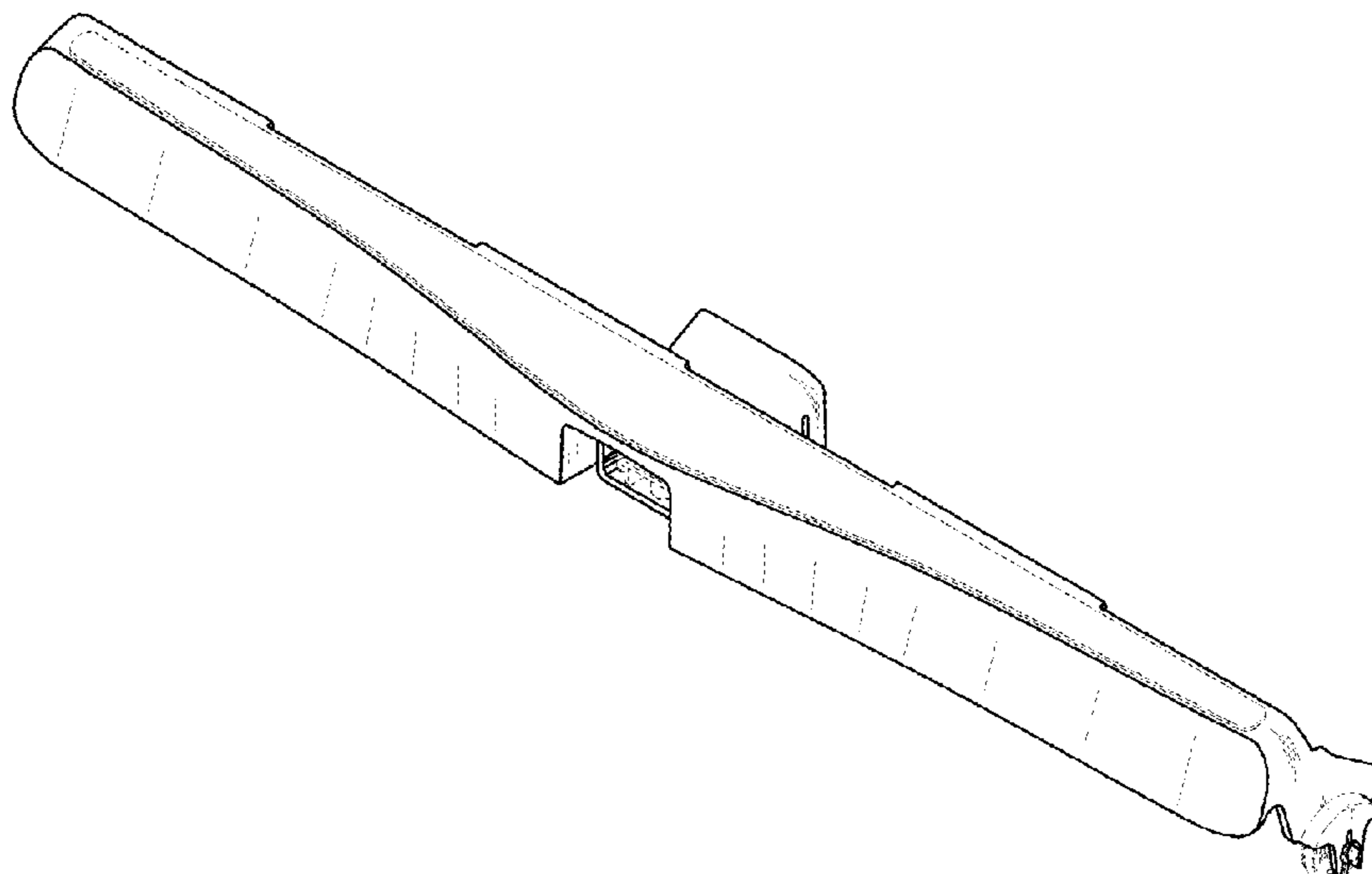


FIG. 1

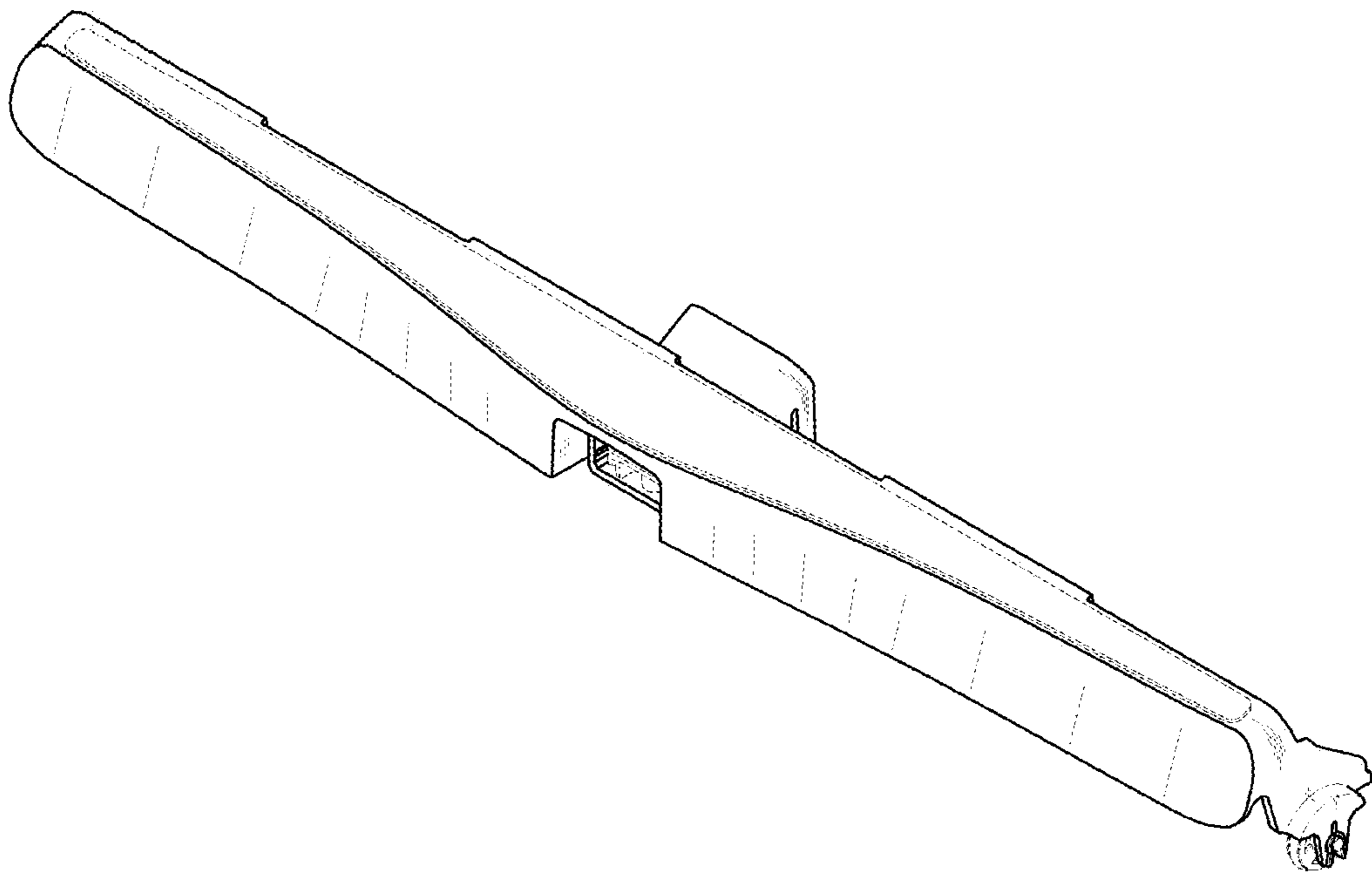


FIG. 2

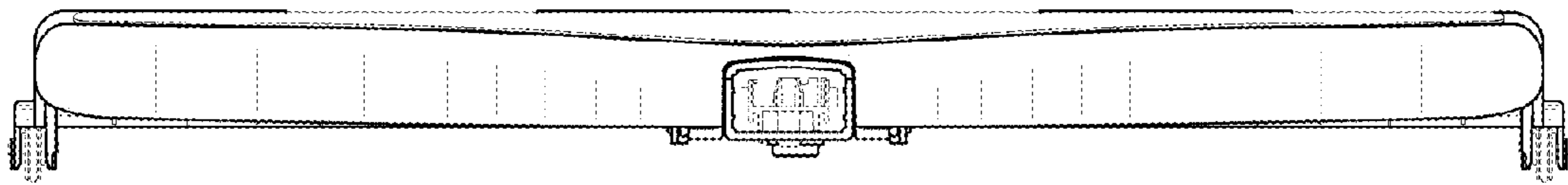


FIG. 3

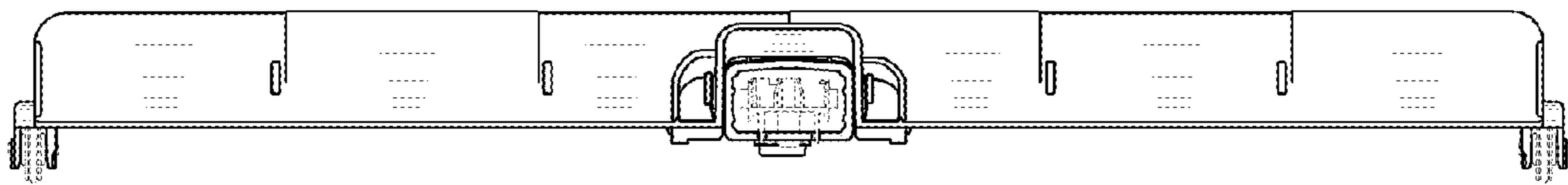


FIG. 4

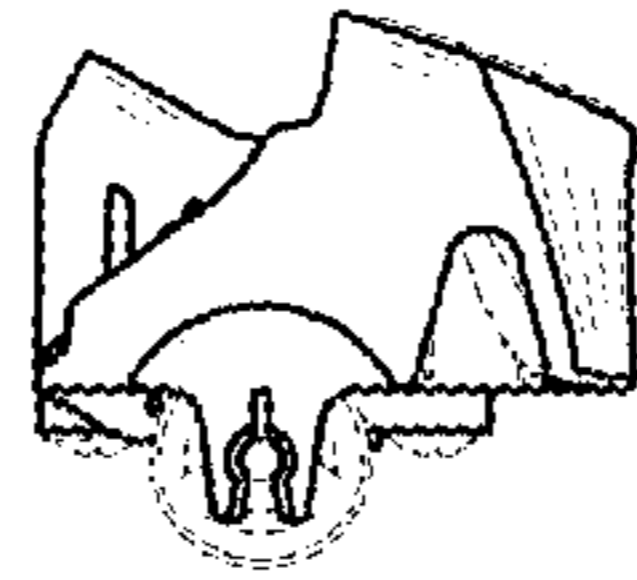


FIG. 5

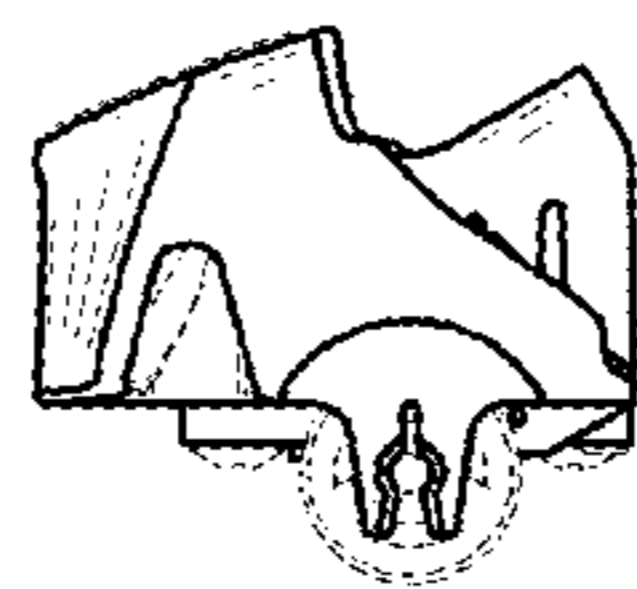


FIG. 6

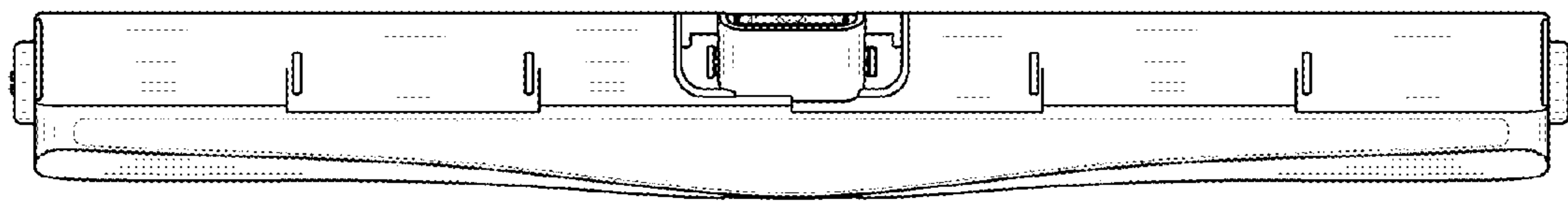


FIG. 7

