



US00D741555S

(12) **United States Design Patent**  
**Byrne**

(10) **Patent No.:** **US D741,555 S**  
(45) **Date of Patent:** **\*\* Oct. 20, 2015**

(54) **COMPOSITE BRAIDED ROPE AND ELASTOMER TUBE PET TOY**

(71) Applicant: **C.B. Worldwide, Inc.**, Mammoth Lakes, CA (US)

(72) Inventor: **Charles A. Byrne**, Mammoth Lakes, CA (US)

(73) Assignee: **C.B. Worldwide, Inc.**, Mammoth Lakes, CA (US)

(\*\*) Term: **14 Years**

(21) Appl. No.: **29/498,154**

(22) Filed: **Jul. 31, 2014**

(51) **LOC (10) Cl.** ..... **30-99**

(52) **U.S. Cl.**  
USPC ..... **D30/160**

(58) **Field of Classification Search**  
USPC ..... D30/160; 119/702, 706-707; 87/6, 8-9; 57/232; 29/890.144; 138/125; 156/50  
CPC ..... A01K 15/00; A01K 15/02; A01K 15/025; A01K 15/026; A01K 29/00; A63B 65/10; A63B 67/06; A63B 5/00; A63B 15/00; B29C 63/06; B66C 1/12; D02G 3/36; F16L 11/10; H01B 13/06  
See application file for complete search history.

(56) **References Cited**

**U.S. PATENT DOCUMENTS**

2,740,316 A \* 4/1956 Crossley ..... D04D 1/00 385/100  
2,979,982 A \* 4/1961 Weitzel ..... D04D 1/00 57/235  
4,036,101 A \* 7/1977 Burnett ..... D04C 1/12 294/74

4,312,260 A \* 1/1982 Morieras ..... D07B 1/04 174/121 R  
4,924,811 A \* 5/1990 Axelrod ..... A61D 5/00 119/710  
4,973,370 A \* 11/1990 Kreinberg ..... H01R 4/2495 156/50  
5,357,904 A \* 10/1994 Takahashi ..... A01K 15/025 119/708  
5,802,828 A \* 9/1998 Adorno ..... D02G 3/045 156/172  
5,947,060 A \* 9/1999 Weinacker ..... A01K 15/026 119/709  
6,250,254 B1 \* 6/2001 Weinacker ..... A01K 15/026 119/707  
D605,737 S \* 12/2009 von Glanstaetten et al. D23/266  
D657,234 S \* 4/2012 Herman ..... D8/382  
2002/0144742 A1 \* 10/2002 Martucci ..... F16L 11/127 138/125

\* cited by examiner

*Primary Examiner* — Cathy Anne MacCormac

(74) *Attorney, Agent, or Firm* — Martino Patent Law

(57) **CLAIM**

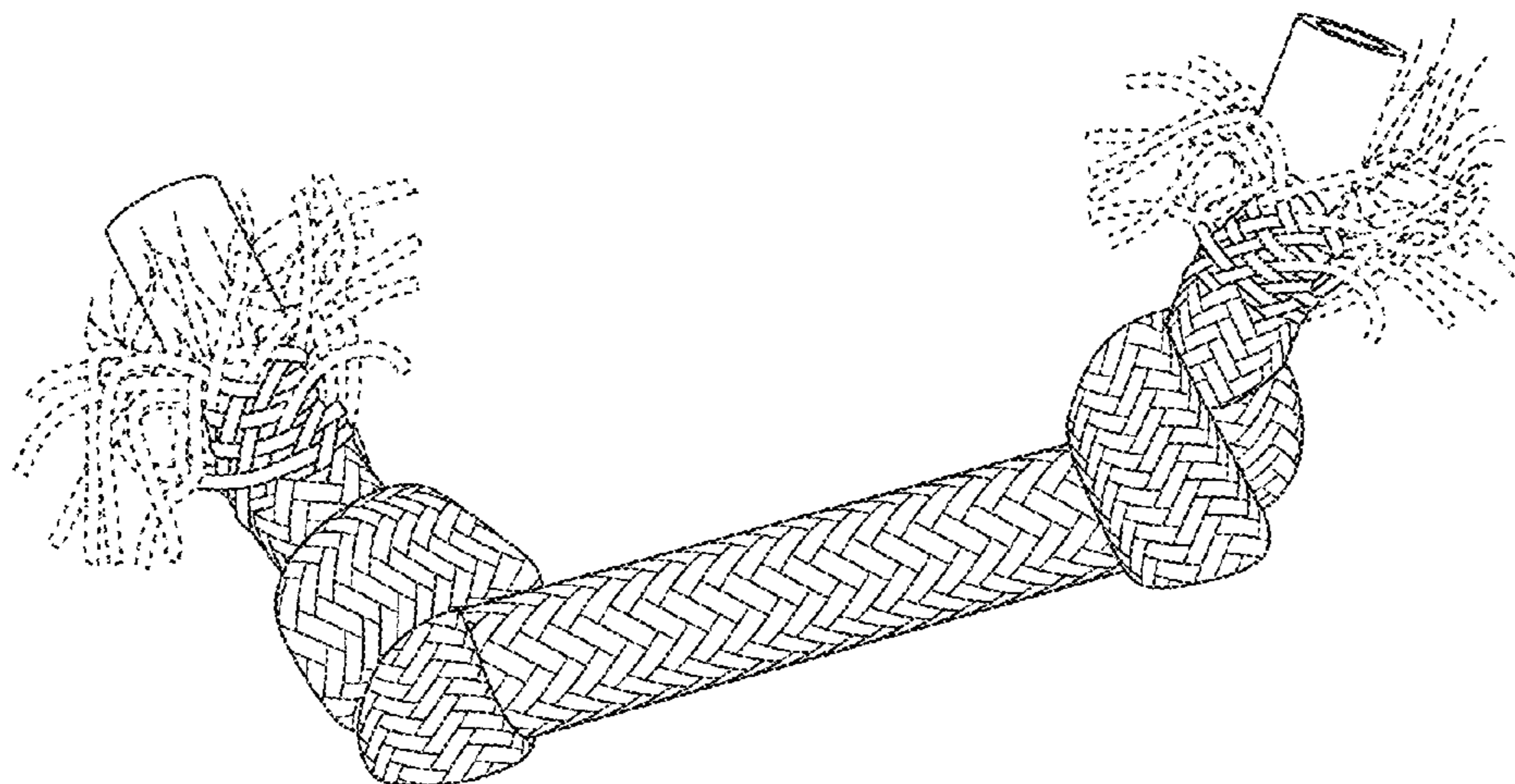
The ornamental design for a composite braided rope and elastomer tube pet toy, as shown and described.

**DESCRIPTION**

FIG. 1 is a perspective view of a composite braided rope and elastomer tube pet toy embodying my new design; FIG. 2 is a front elevation view thereof; FIG. 3 is a rear elevation view thereof; FIG. 4 is a right side elevation view thereof; FIG. 5 is a left side elevation view thereof; FIG. 6 is a top plan view thereof; and, FIG. 7 is a bottom plan view thereof.

The broken lines depict environmental subject matter, are for illustration only and form no part of the claimed design.

**1 Claim, 3 Drawing Sheets**



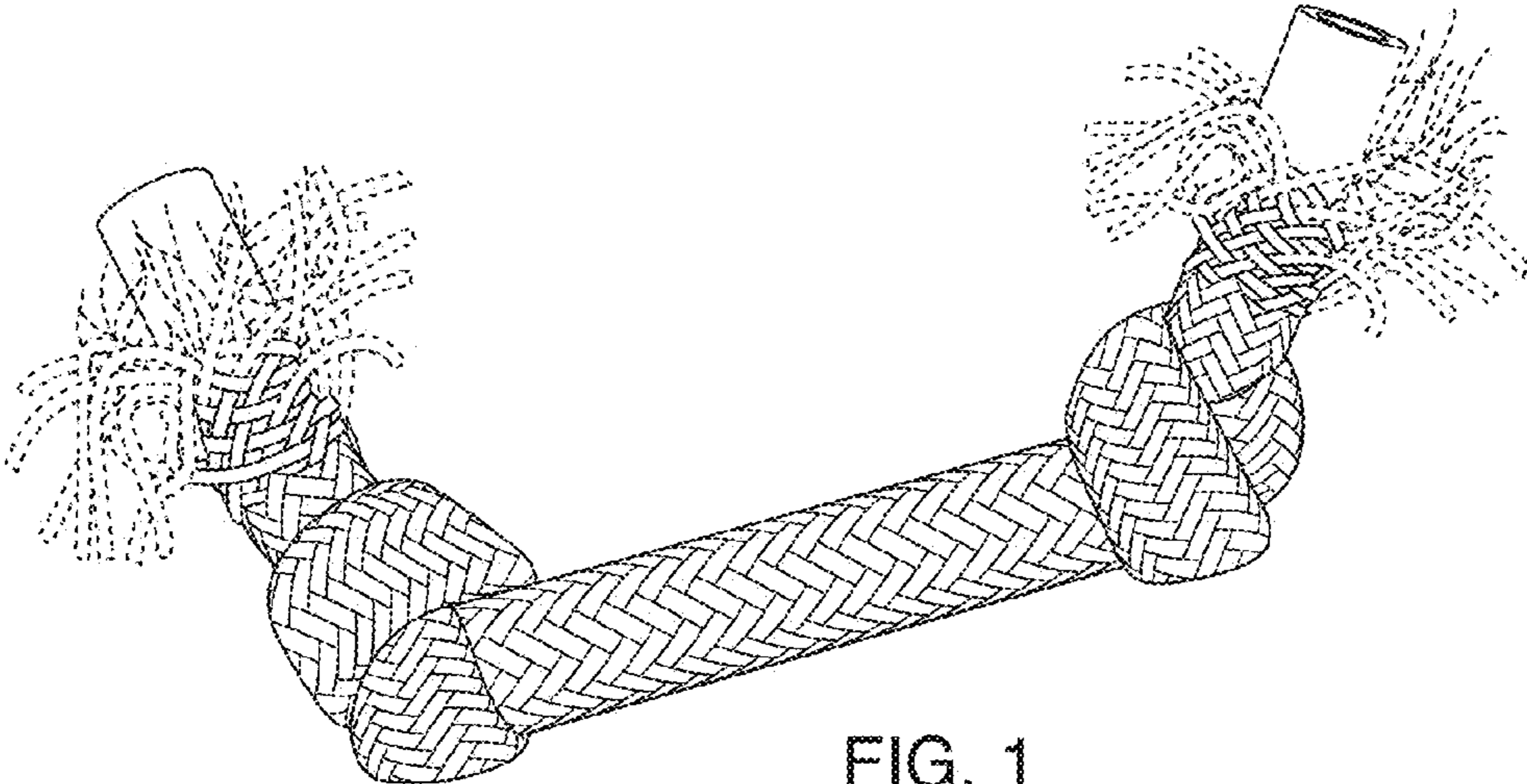


FIG. 1

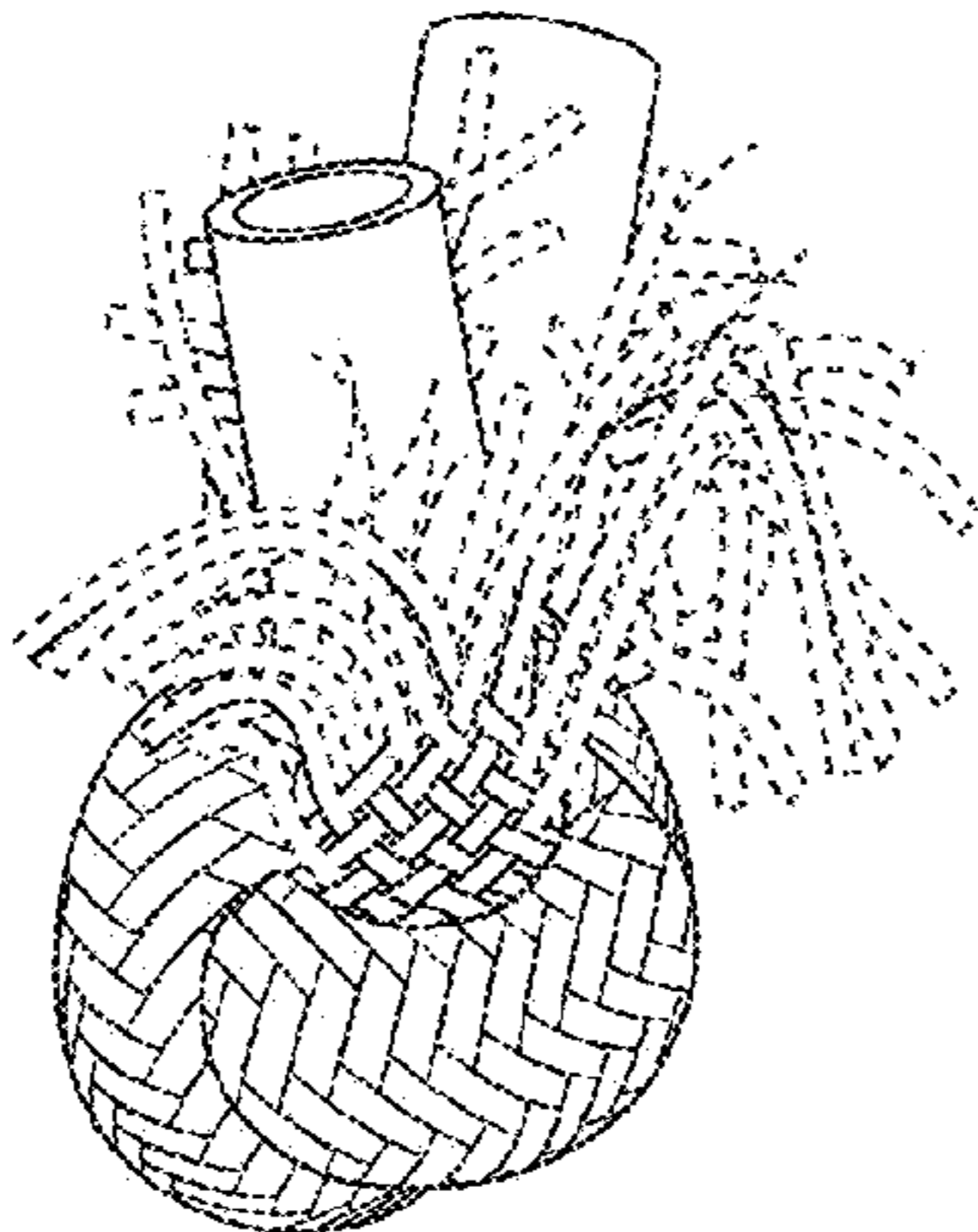


FIG. 2

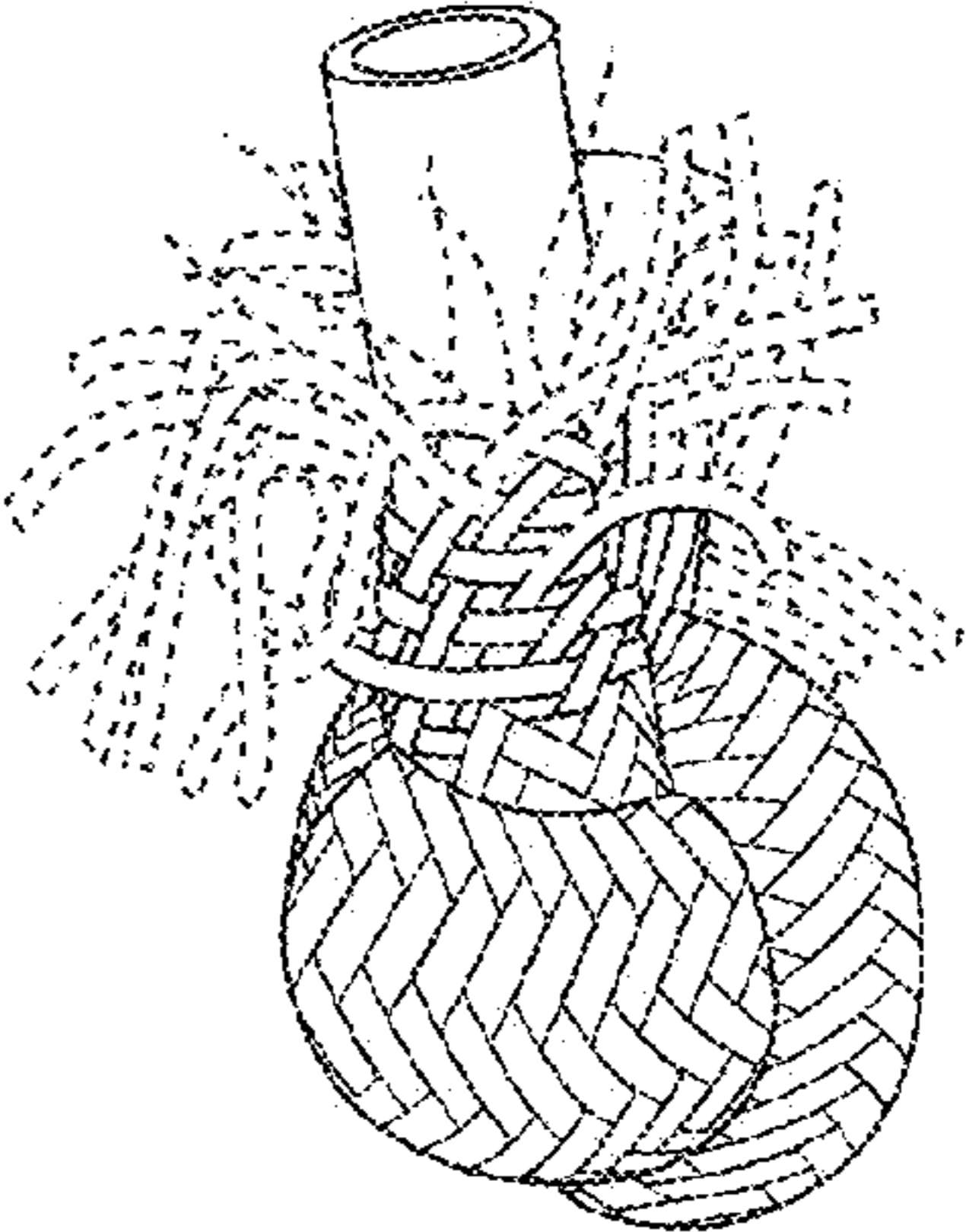


FIG. 3

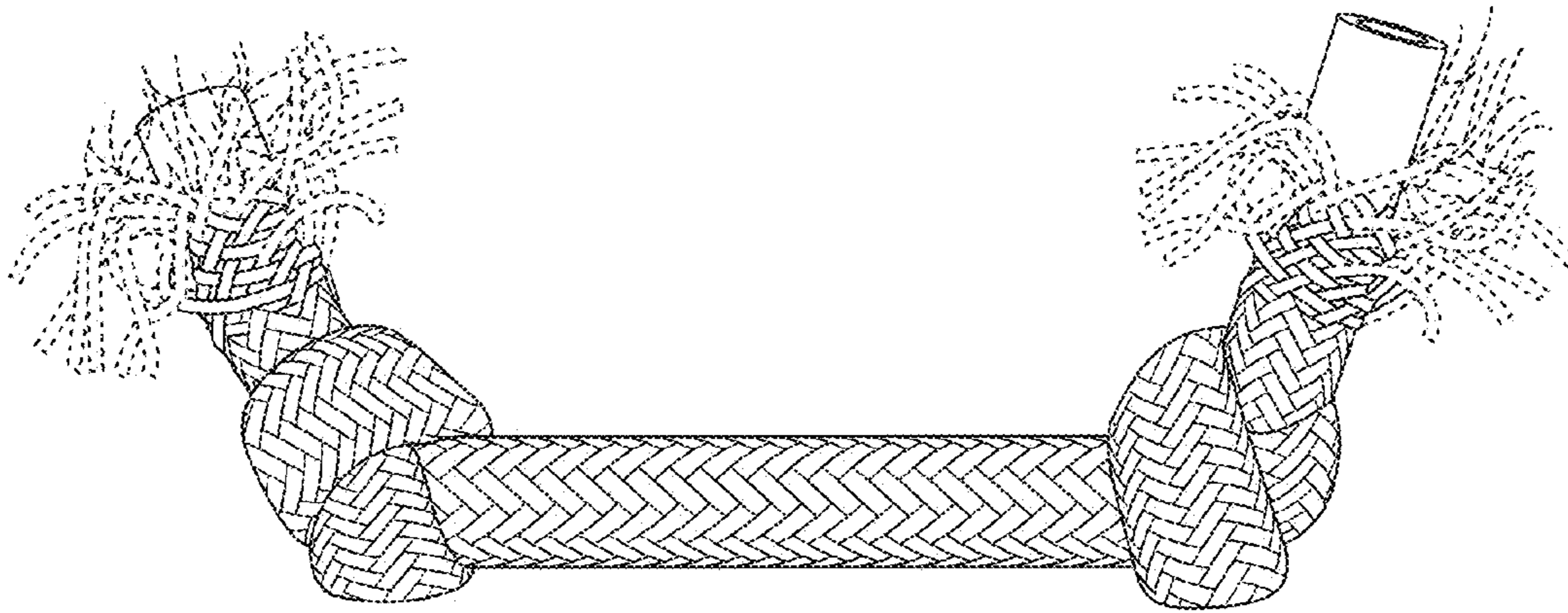


FIG. 4

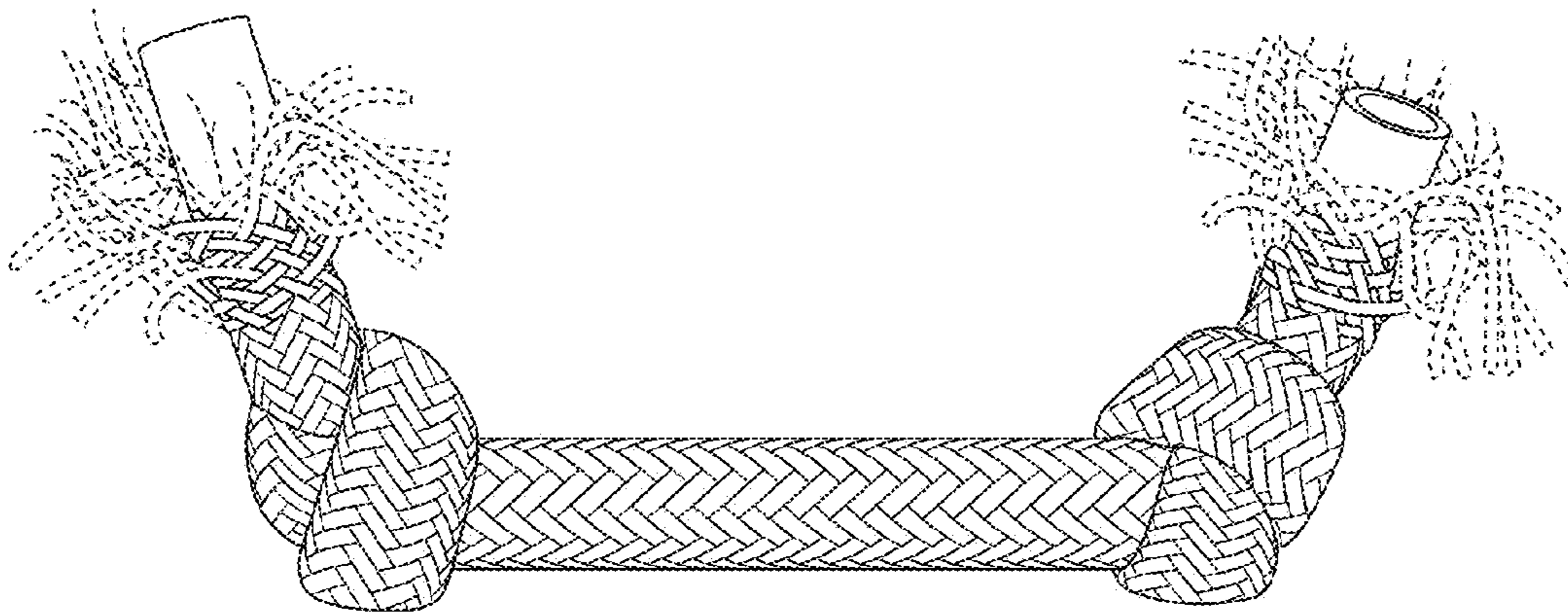


FIG. 5

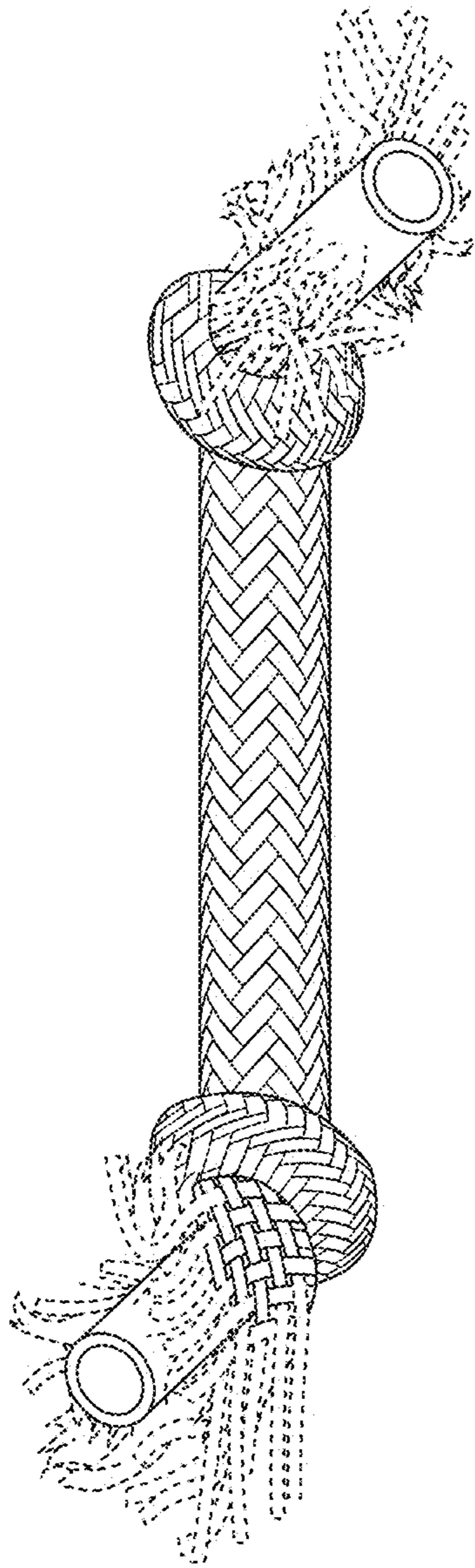


FIG. 6

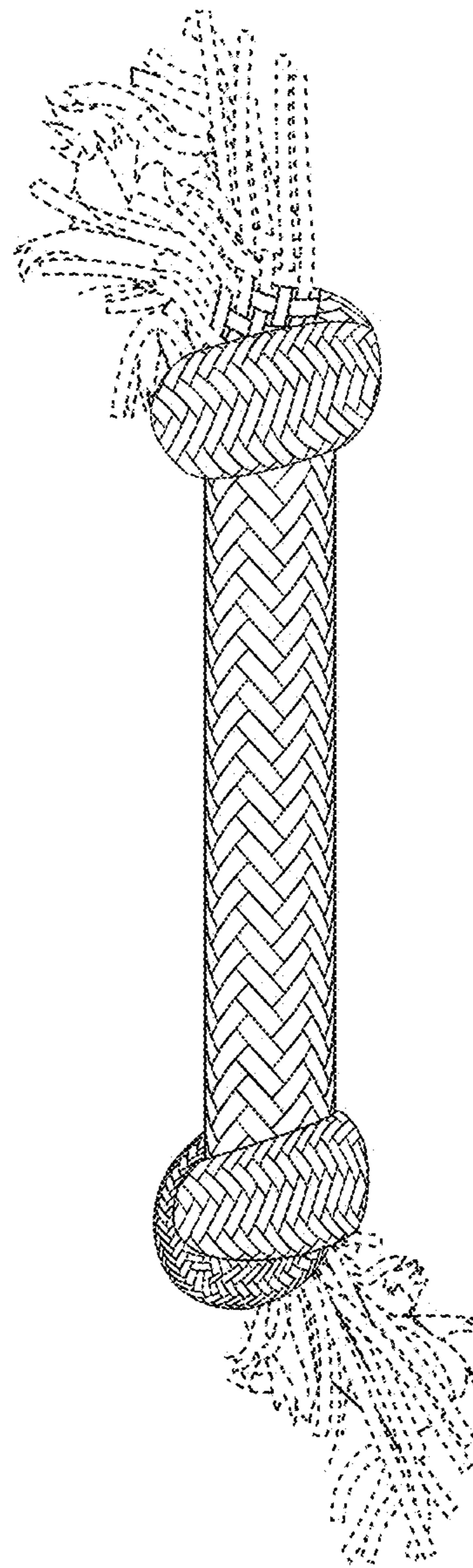


FIG. 7