



US00D741554S

(12) **United States Design Patent**
Moreau et al.

(10) **Patent No.:** **US D741,554 S**

(45) **Date of Patent:** **** Oct. 20, 2015**

(54) **CLIP FOR A UNIVERSAL ACCESSORY SLOT OF A HARD HAT**

(56)

References Cited

U.S. PATENT DOCUMENTS

(71) Applicant: **Ty-Flot, Inc.**, Manchester, NH (US)

6,105,172 A * 8/2000 Shida 2/171.3

(72) Inventors: **Darrell A. Moreau**, Manchester, NH (US); **Andre W. Moreau**, Spring Hill, FL (US)

7,004,439 B1 * 2/2006 Taylor et al. 248/548

D526,448 S * 8/2006 Rigler D29/122

7,156,536 B1 * 1/2007 McCorkle 362/106

7,963,426 B2 * 6/2011 Gruebel et al. 224/181

8,245,326 B1 * 8/2012 Tolve 2/422

8,348,449 B2 * 1/2013 McCorkle et al. 362/106

D692,620 S * 10/2013 Gendron D29/122

D715,860 S * 10/2014 Costas D19/86

D719,217 S * 12/2014 Costas D19/86

(**) Term: **14 Years**

* cited by examiner

(21) Appl. No.: **29/510,172**

Primary Examiner — Randall Gholson

(22) Filed: **Nov. 25, 2014**

(74) *Attorney, Agent, or Firm* — Mesmer & Deleault PLLC

(51) **LOC (10) Cl.** **29-02**

(57) **CLAIM**

The ornamental design for a clip for a universal accessory slot of a hard hat, as shown and described.

(52) **U.S. Cl.**

DESCRIPTION

USPC **D29/122**

(58) **Field of Classification Search**

USPC D29/100, 102–110, 122; D2/891, 893, D2/894; D24/110.1, 110.2, 191; 2/410, 2/411, 412, 424, 425, 10, 15, 452, 454, 9, 2/206; 128/857, 858

CPC F41H 1/08; A42B 3/04

See application file for complete search history.

1 Claim, 1 Drawing Sheet

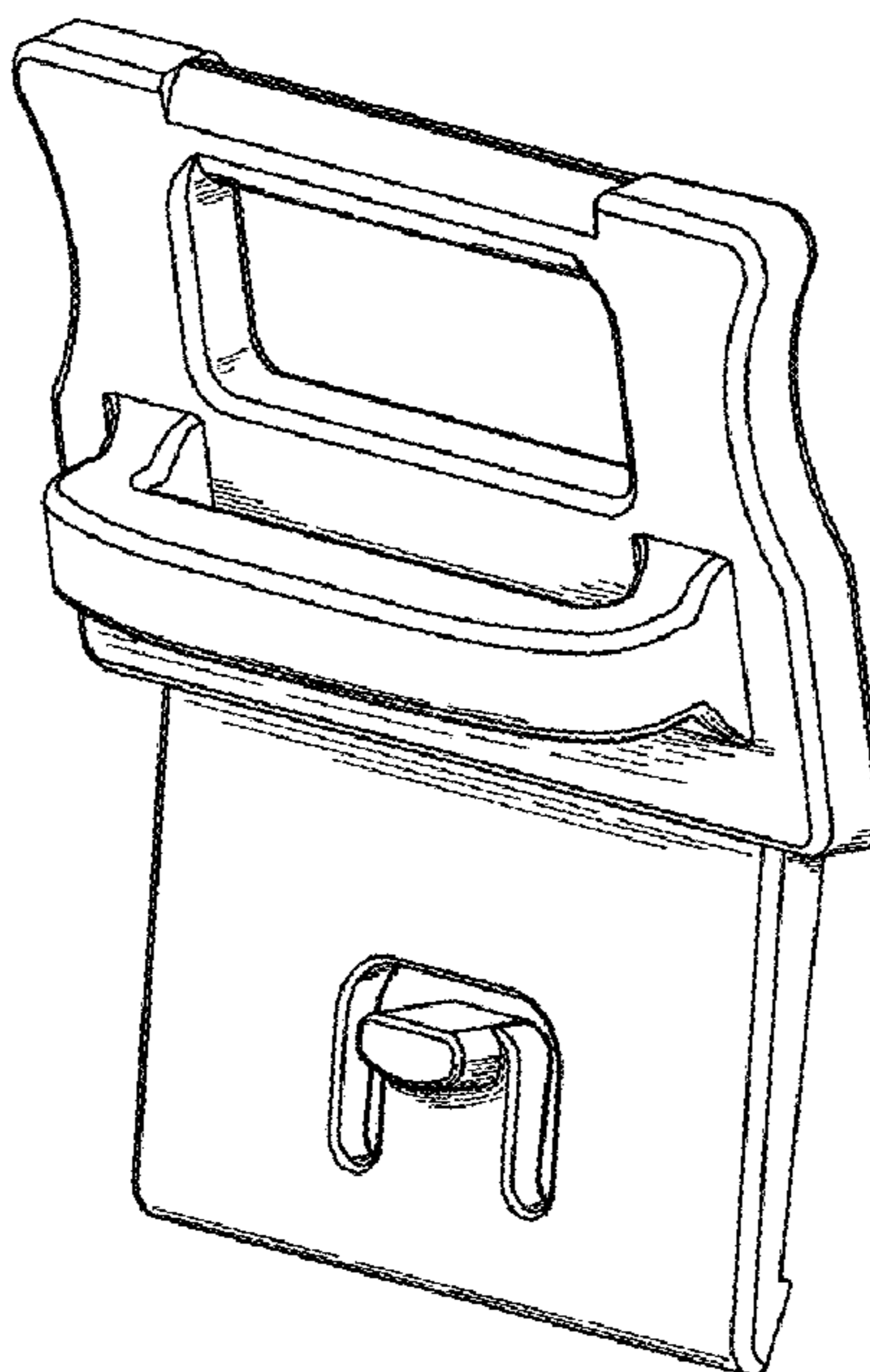


FIG. 1

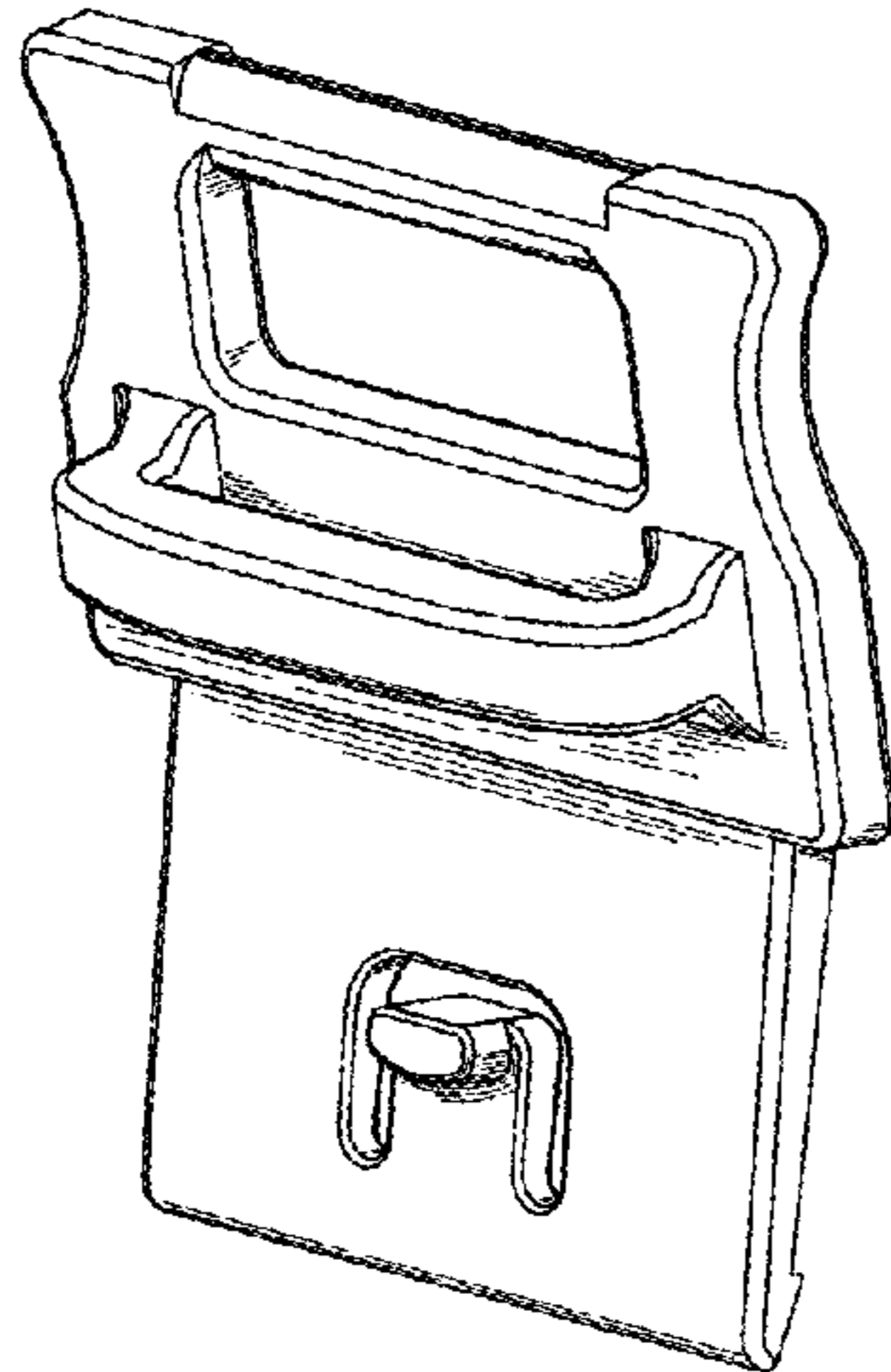


FIG. 2

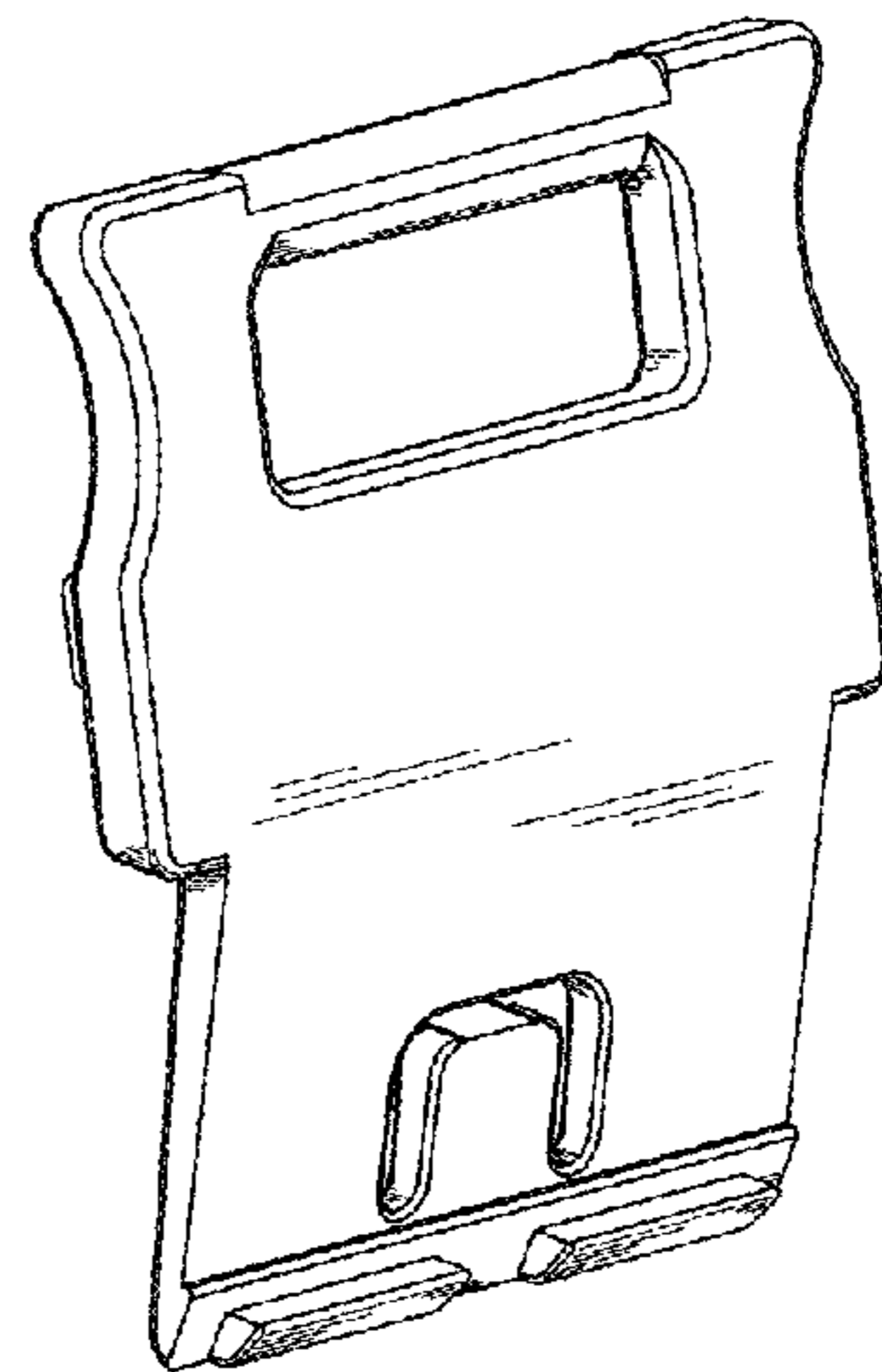


FIG. 3

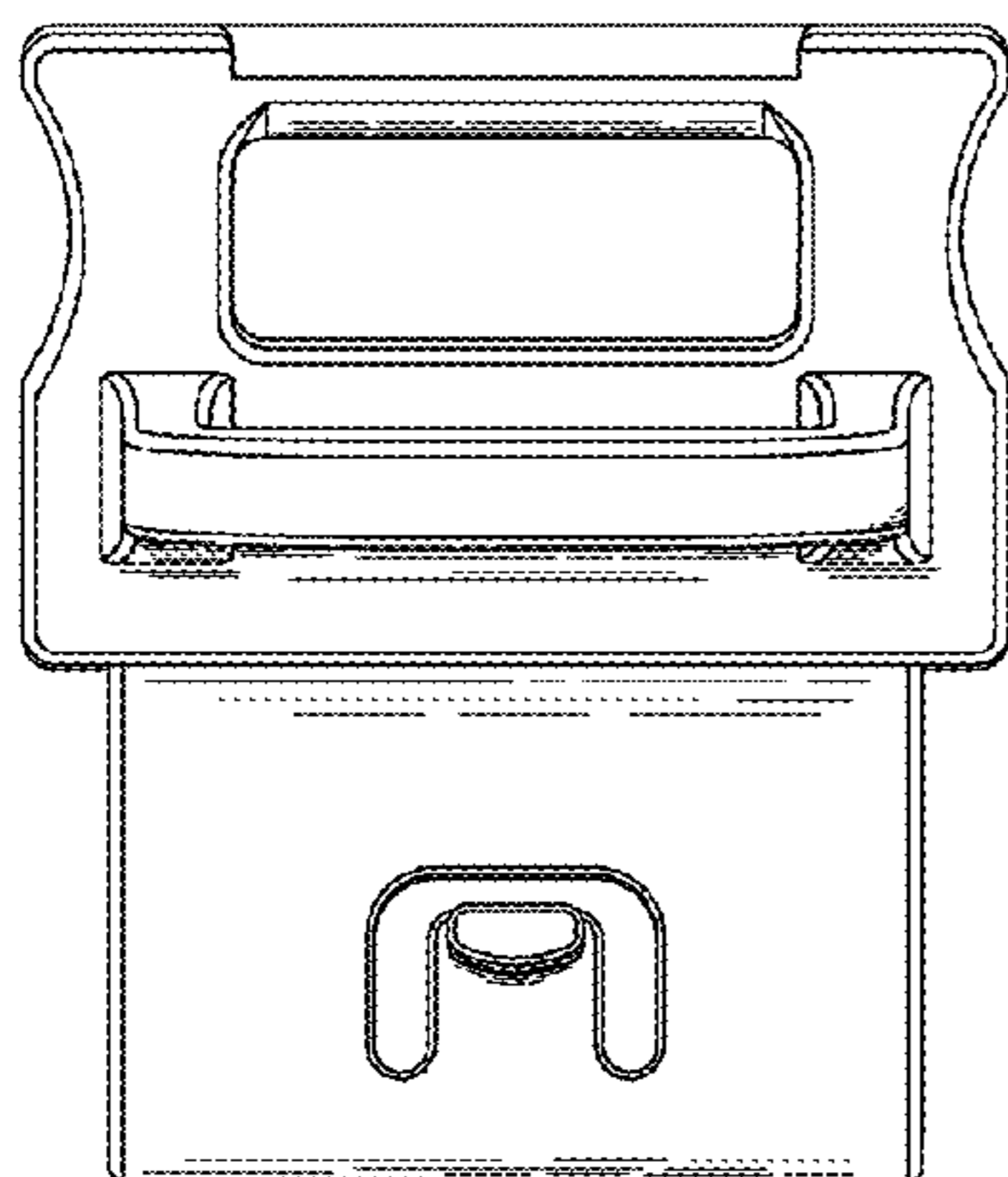


FIG. 4

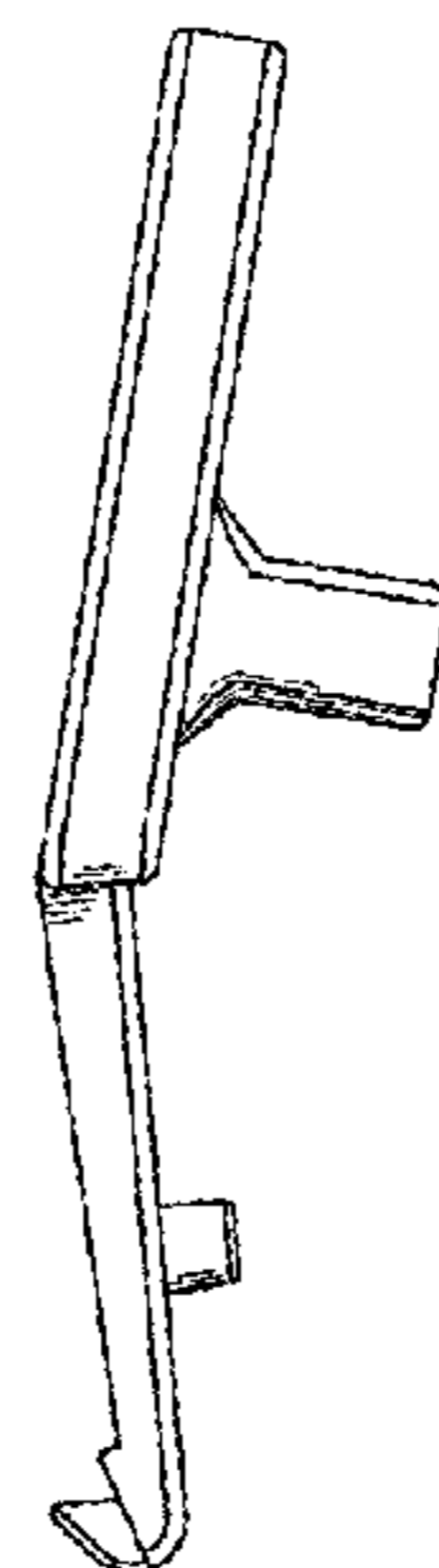


FIG. 5

