



US00D741551S

(12) **United States Design Patent**
Piotrowski

(10) **Patent No.:** **US D741,551 S**
(45) **Date of Patent:** **** Oct. 20, 2015**

(54) **CUT RESISTANT GLOVE WITH ELASTOMERIC STRAP**

(71) Applicant: **US Mesh, Inc.**, Orchard Park, NY (US)

(72) Inventor: **Matthew Piotrowski**, Hamburg, NY (US)

(73) Assignee: **US MESH, INC.**, Orchard Park, NY (US)

(**) Term: **14 Years**

(21) Appl. No.: **29/482,138**

(22) Filed: **Feb. 14, 2014**

(51) **LOC (10) Cl.** **02-06**

(52) **U.S. Cl.**
USPC **D29/117.1**

(58) **Field of Classification Search**

USPC D2/610, 616, 617, 621, 623; D29/113, D29/114, 117.1, 123; 2/16, 17, 159, 160, 2/161.1, 161.3, 161.4, 161.6, 161.8, 162, 2/163, 167, 168, 910, 917
CPC A41D 13/08; A41D 13/081; A41D 19/00; A41D 19/0034; A41D 19/0044; A41D 19/0048; A41D 19/0082; A41D 19/015; A41D 19/01502; A41D 19/01511; A41D 19/01529; A41D 19/1558; A41D 2300/30; A41F 1/06

See application file for complete search history.

(56) **References Cited**

U.S. PATENT DOCUMENTS

RE13,524 E * 2/1913 Chaddock et al. 2/169
1,339,129 A * 5/1920 Oathout 2/164

(Continued)

FOREIGN PATENT DOCUMENTS

WO 03/065832 8/2003

OTHER PUBLICATIONS

“Euroflex Comfort Safety Glove,” item available for sale on-line at Cuchilloonline. Publication date unavailable. Retrieved from the internet on Mar. 26, 2015. URL: <http://cuchilloonline.com/en/epis/1342-euroflex-comfort-safety-glove.html#>. (1 page).*

(Continued)

Primary Examiner — Karen E. Eldridge Powers

Assistant Examiner — Jasmine Mlinarcik

(74) *Attorney, Agent, or Firm* — Hodgson Russ LLP

(57) **CLAIM**

The ornamental design for a cut resistant glove with elastomeric strap, as shown and described.

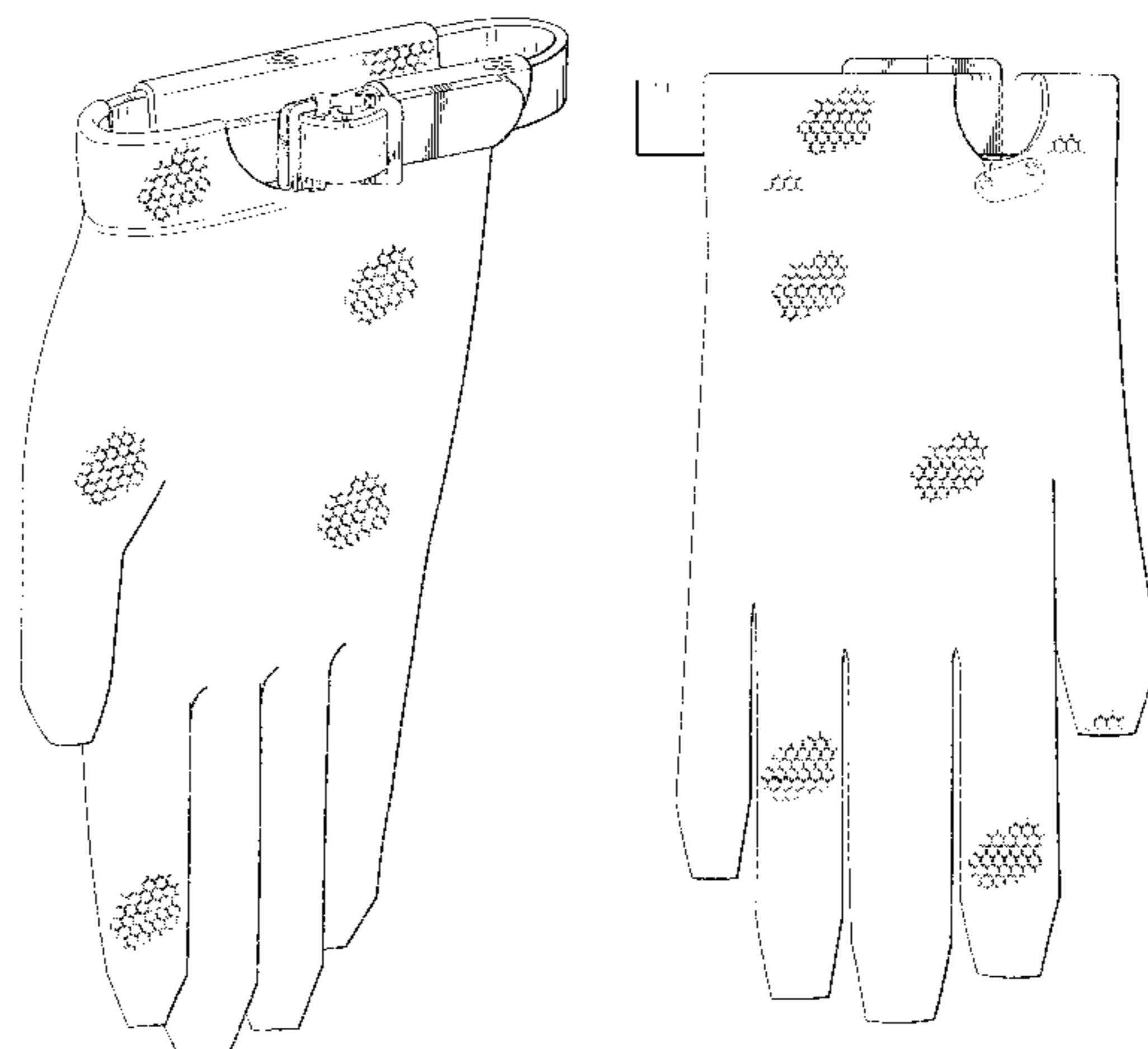
DESCRIPTION

FIG. 1 is a front perspective view of the cut resistant glove with elastomeric strap showing my new design, the elastomeric strap being shown in a relaxed state; FIG. 2 is a front elevation view thereof; FIG. 3 is a left side elevation view thereof; FIG. 4 is a rear elevation view thereof; FIG. 5 is a right side elevation view thereof; FIG. 6 is a top plan view thereof; FIG. 7 is a bottom plan view thereof; FIG. 8 is a top plan view thereof showing the elastomeric strap in a stretched state; FIG. 9 is a top plan view thereof showing the elastomeric strap removed from the cut resistant glove for clarity of illustration; and, FIG. 10 is a left side elevation view of the elastomeric strap shown in FIG. 9.

The broken lines in the drawings illustrate features of the article of manufacture that form no part of the claimed design. The mesh, although shown intermittently in the drawings for ease of illustration, is understood to be distributed uniformly over the surfaces of the glove.

A portion of the disclosure of this patent document contains material which is subject to copyright protection. This patent document may show and/or describe matter which is or may become trade dress of the owner. The copyright and trade dress owner has no objection to the facsimile reproduction by anyone of the patent disclosure as it appears in the Patent and Trademark Office patent files or records, but otherwise reserves all copyright and trade dress rights whatsoever.

1 Claim, 7 Drawing Sheets



(56)

References Cited

U.S. PATENT DOCUMENTS

D95,467 S * 4/1935 Strauss D2/619
 2,559,788 A * 7/1951 Patterson, Jr. 2/161.2
 D184,255 S * 1/1959 Higler D2/621
 4,470,251 A * 9/1984 Bettcher 57/230
 4,471,495 A * 9/1984 Kruse et al. 2/162
 4,843,650 A * 7/1989 Kangas et al. 2/16
 5,054,126 A * 10/1991 Rivkin 2/16
 D348,141 S 6/1994 Lars-Jos, Jr. et al.
 5,774,897 A * 7/1998 Hochmuth 2/161.1
 5,894,602 A * 4/1999 Smith et al. 2/159
 6,016,648 A * 1/2000 Bettcher et al. 57/230
 6,061,833 A * 5/2000 Smith et al. 2/162
 6,161,400 A * 12/2000 Hummel 66/174
 6,351,932 B1 * 3/2002 Hummel 57/210
 6,438,759 B1 * 8/2002 Jaunault et al. 2/167
 6,442,761 B1 * 9/2002 Huang 2/161.7
 7,062,792 B2 6/2006 Jaunault et al.
 7,188,373 B2 3/2007 Jaunault et al.
 7,237,272 B2 * 7/2007 Botcher 2/161.6
 7,934,396 B2 * 5/2011 Zhu 66/174
 8,002,222 B2 8/2011 Jaunault et al.
 8,322,167 B2 * 12/2012 Dias et al. 66/174

2004/0064865 A1* 4/2004 Hummel 2/2.5
 2004/0181848 A1 9/2004 Jaunault et al.
 2011/0083250 A1* 4/2011 Smith et al. 2/161.6

OTHER PUBLICATIONS

“Euroflex Stab-Protection Gloves and Aprons,” article retrieved on-line from Euroflex. Publication date unknown, but the IFFA 2010 Trade Show took place between May 8-13, 2010. Retrieved from the internet on Apr. 20, 2015. URL: <http://www.euroflex-safety.de/en/downloads/> (1 page).*

“Stainless Steel Mesh Safety Gloves by U. S. Mesh,” accessible on-line by Haslam Corp., publication date unavailable, accessed on Mar. 31, 2014, URL: <http://www.mygoodscissors.com/MeshGloves.htm>.

“Manulutex Cut-resistant Chainmail Gloves,” itmes for sale on-line by Direct Industry, publication date unavailable, accessed on Mar. 31, 2014, URL: <http://www.directindustry.com/prod/manulutex/cut-resistant-chainmail-glove-18085-149043.html>.

“Stainless Steel Cut Resistant Gloves/Butcher Chain Mail Gloves/316L Stainless Steel Gloves,” item for sale on-line by Alibaba, publication date unavailable, accessed on Mar. 31, 2014, URL: http://www.alibaba.com/product-detail/Stainless-Steel-Cut-Resistant-Gloves-Butcher_1122625486.html.

* cited by examiner

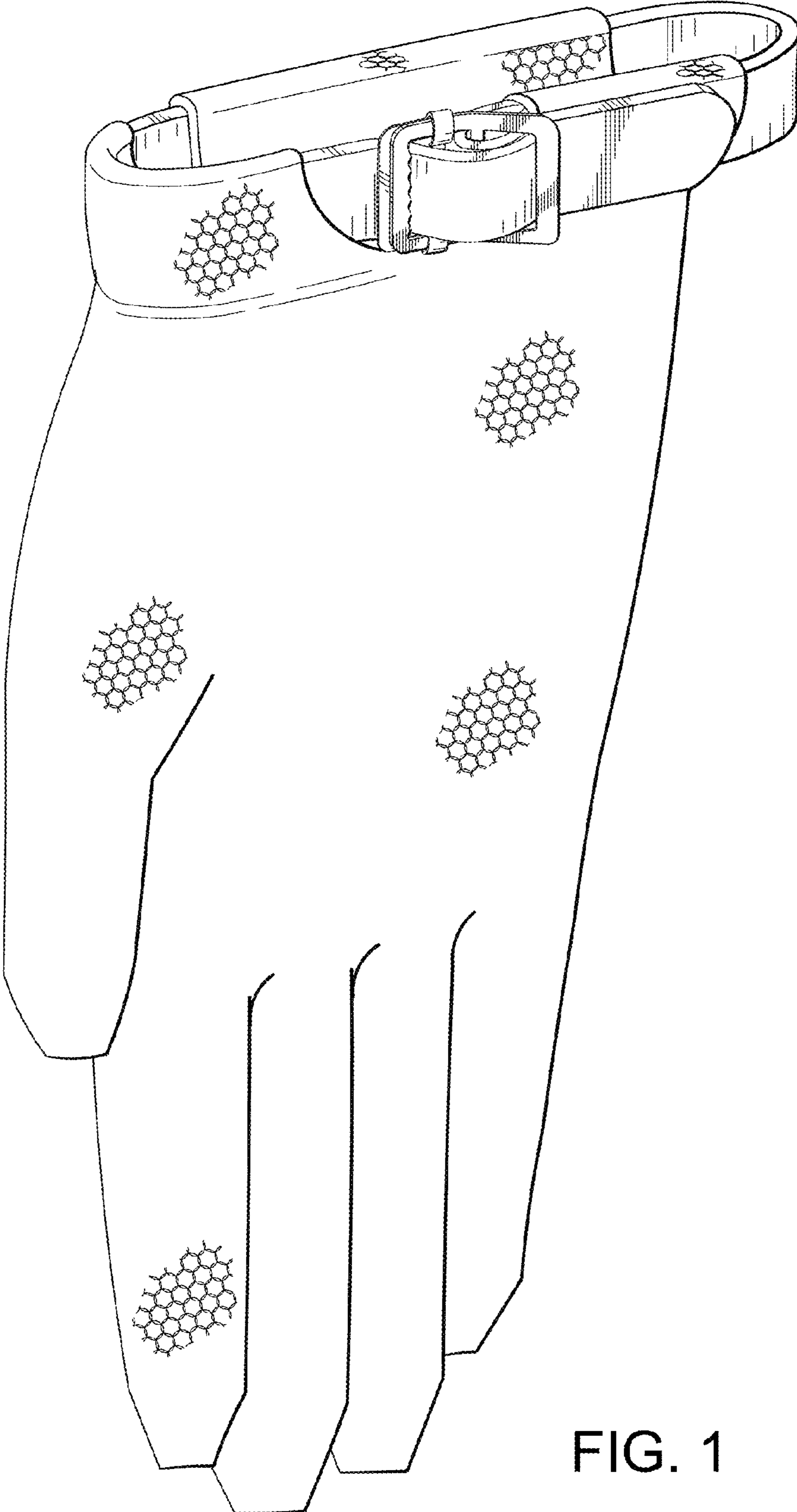


FIG. 1

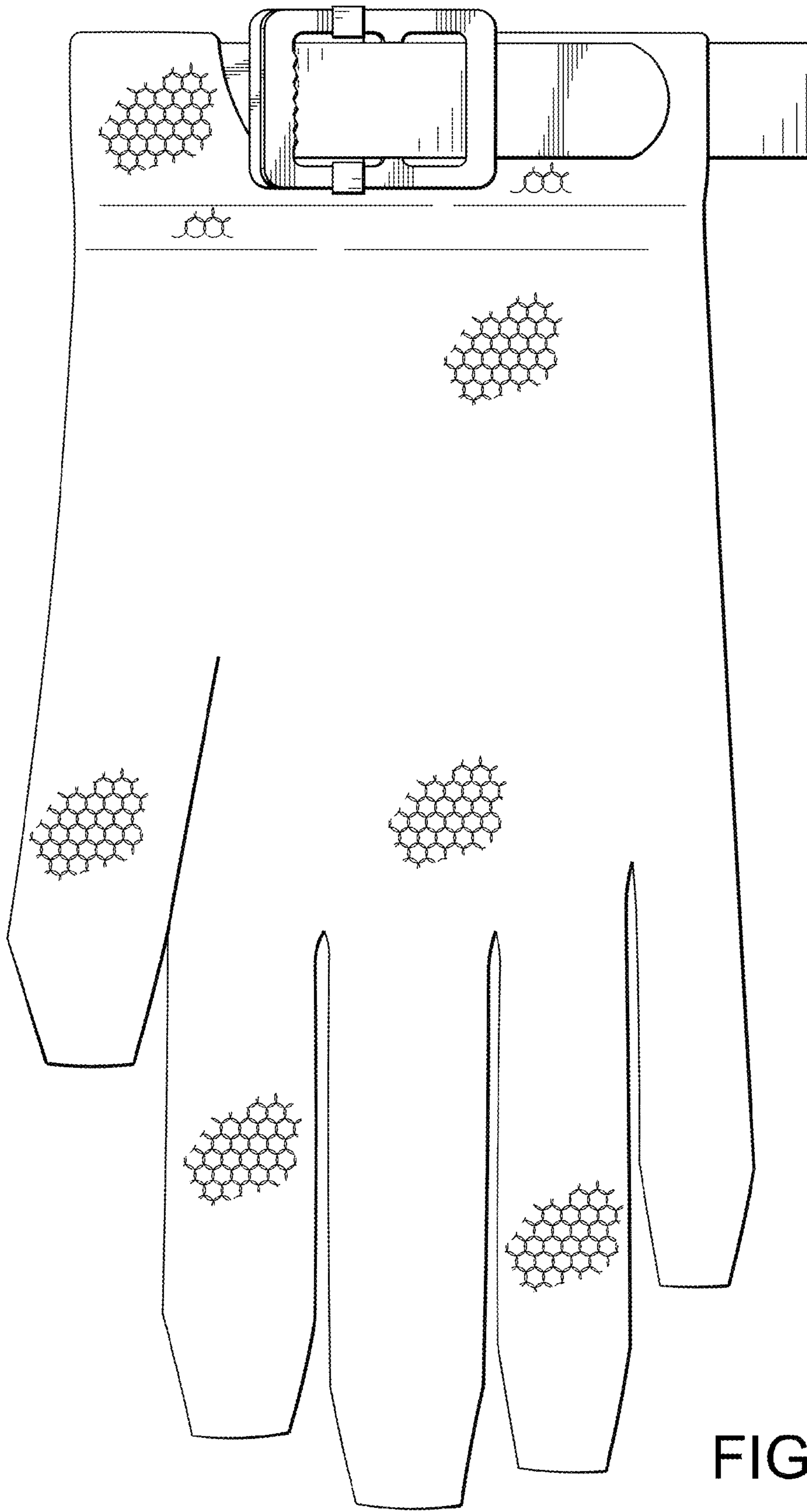


FIG. 2

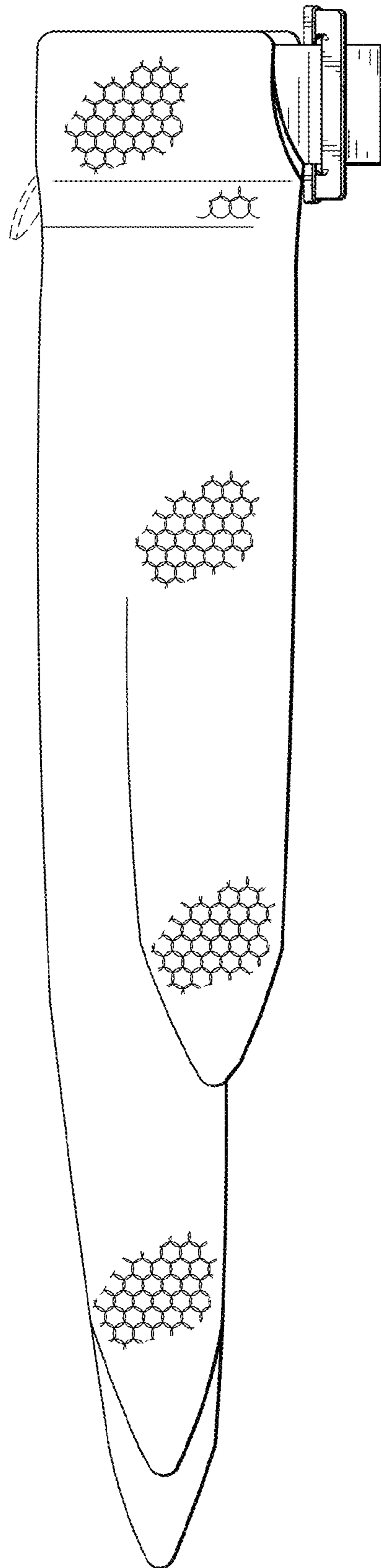


FIG. 3

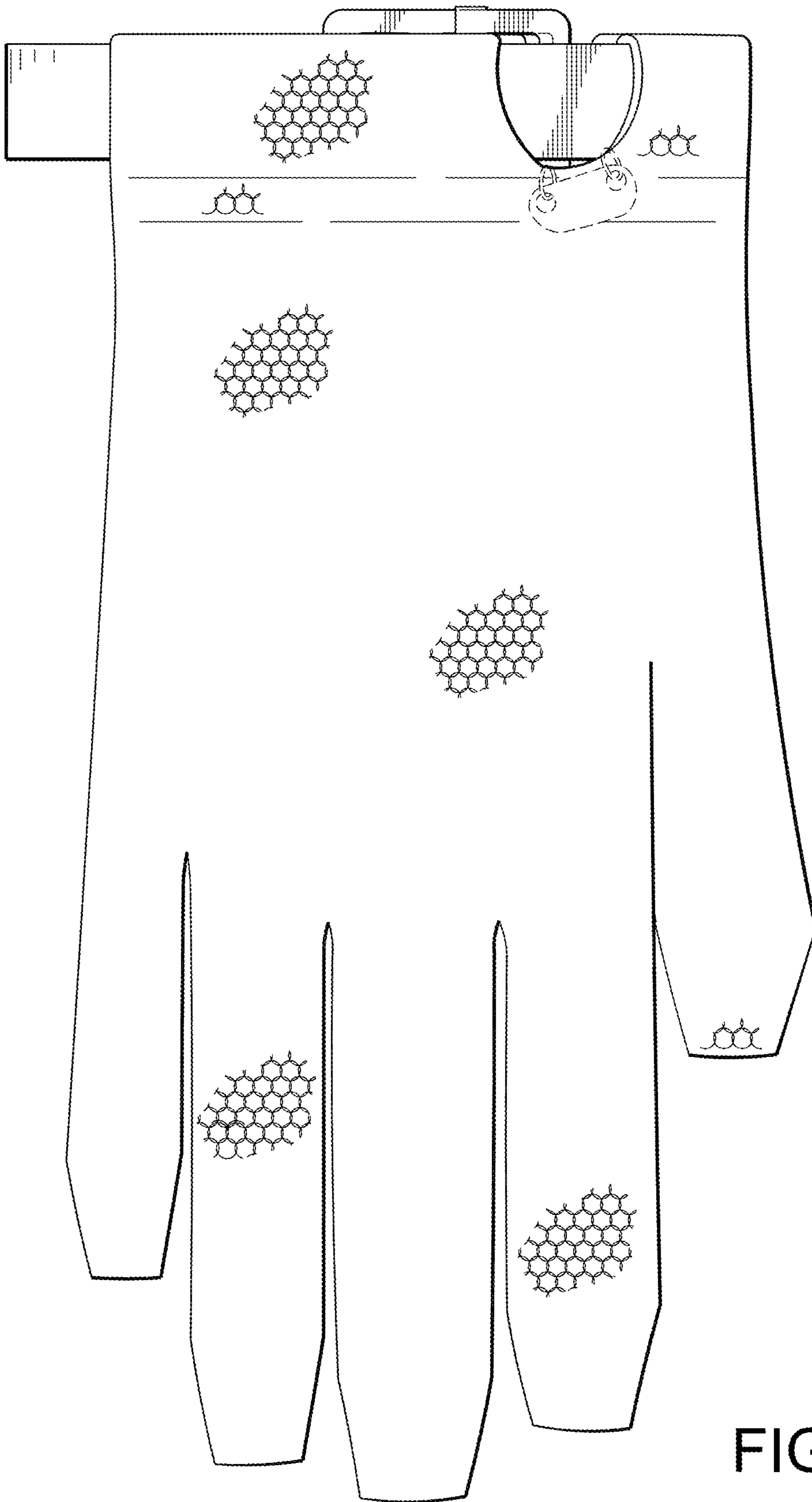


FIG. 4

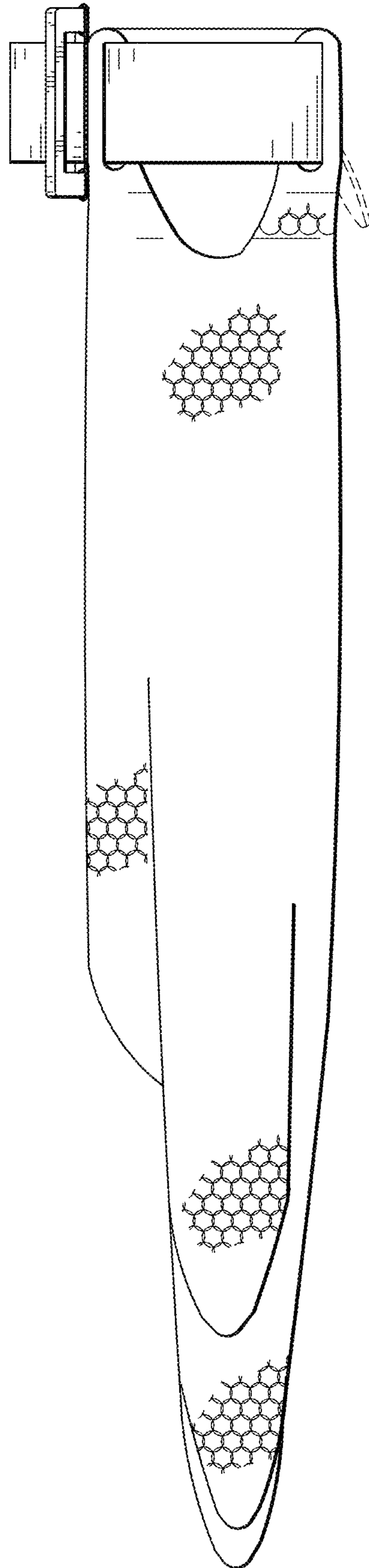


FIG. 5

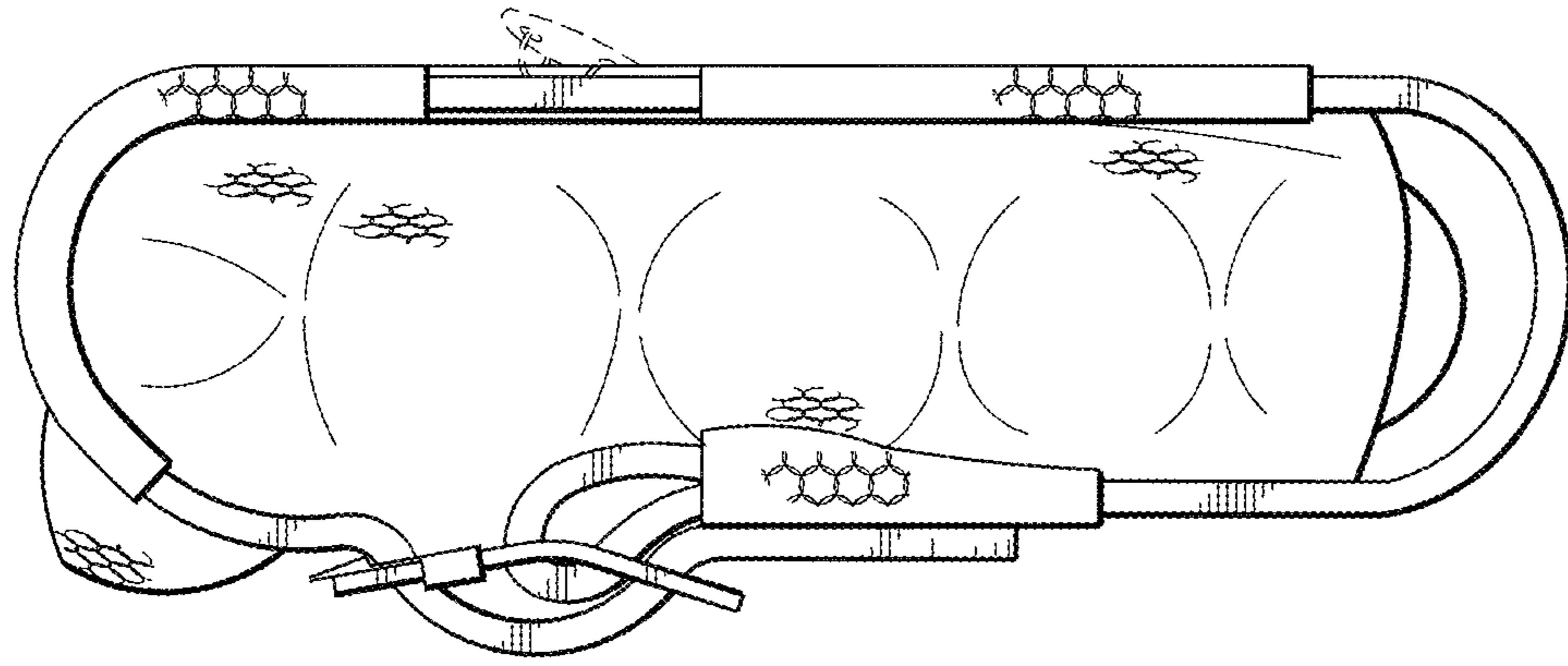


FIG. 6

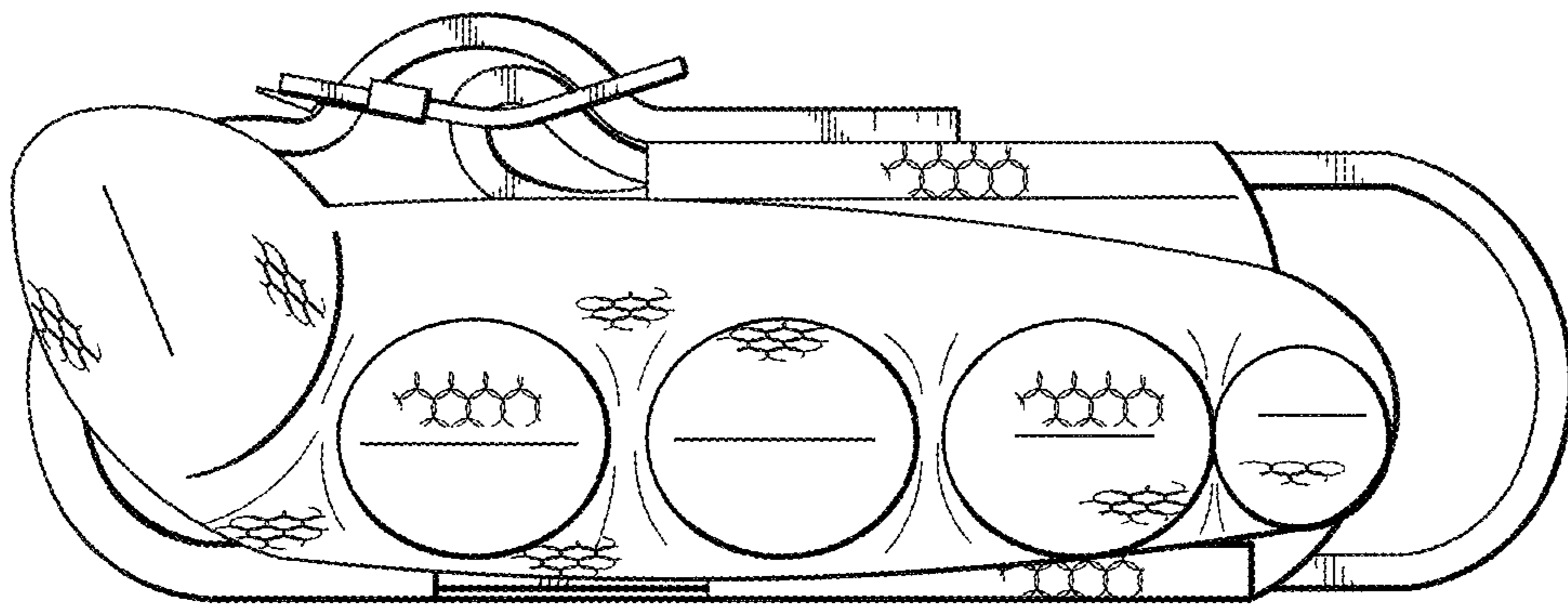


FIG. 7

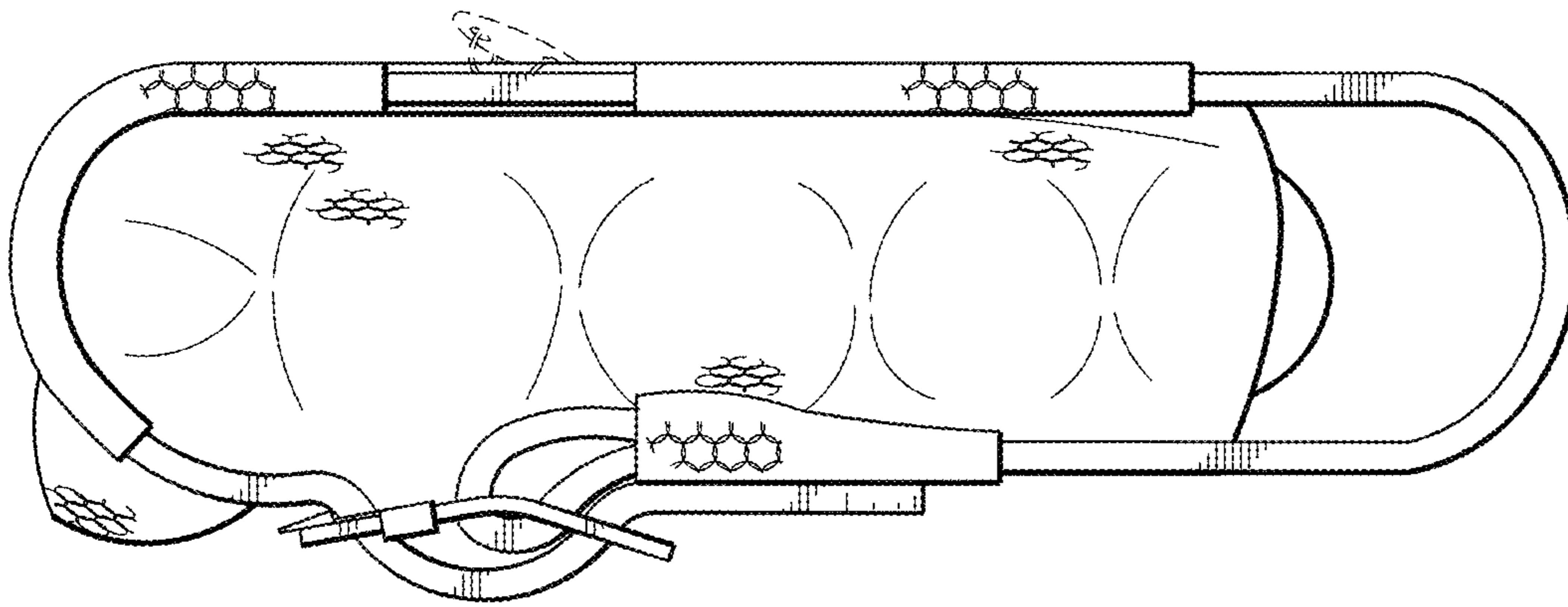


FIG. 8

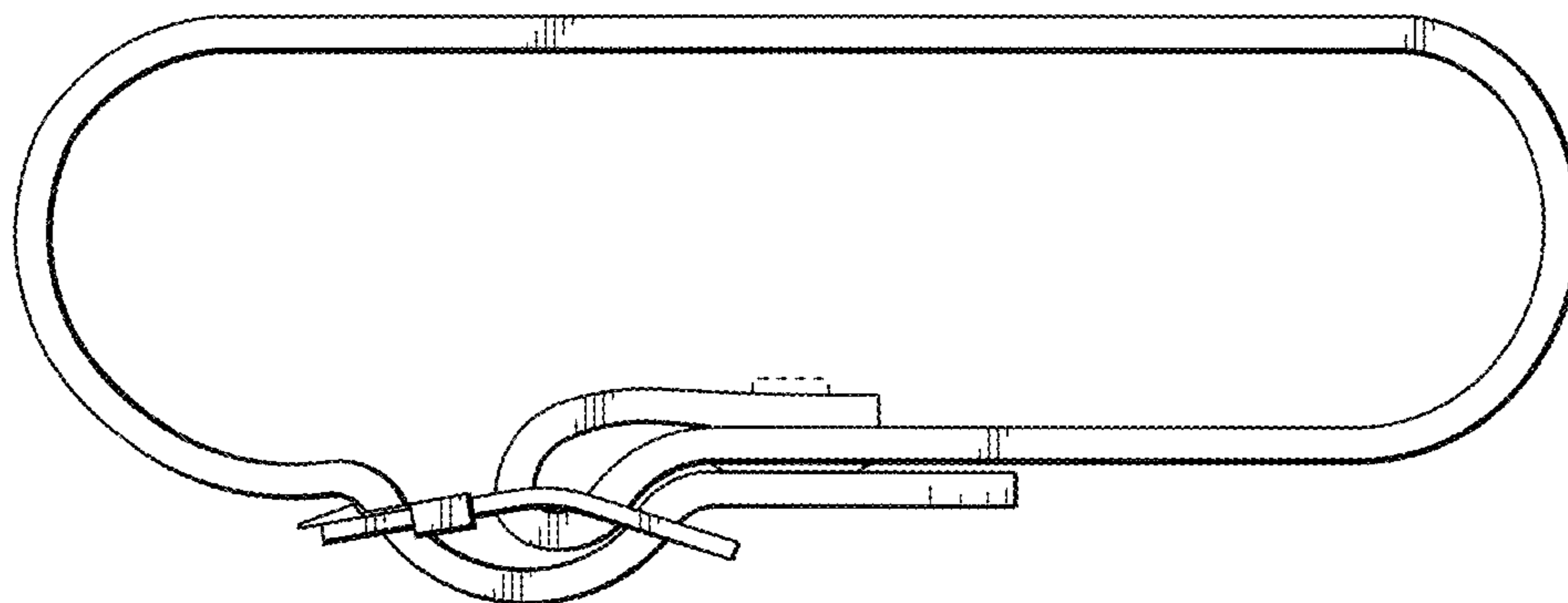


FIG. 9

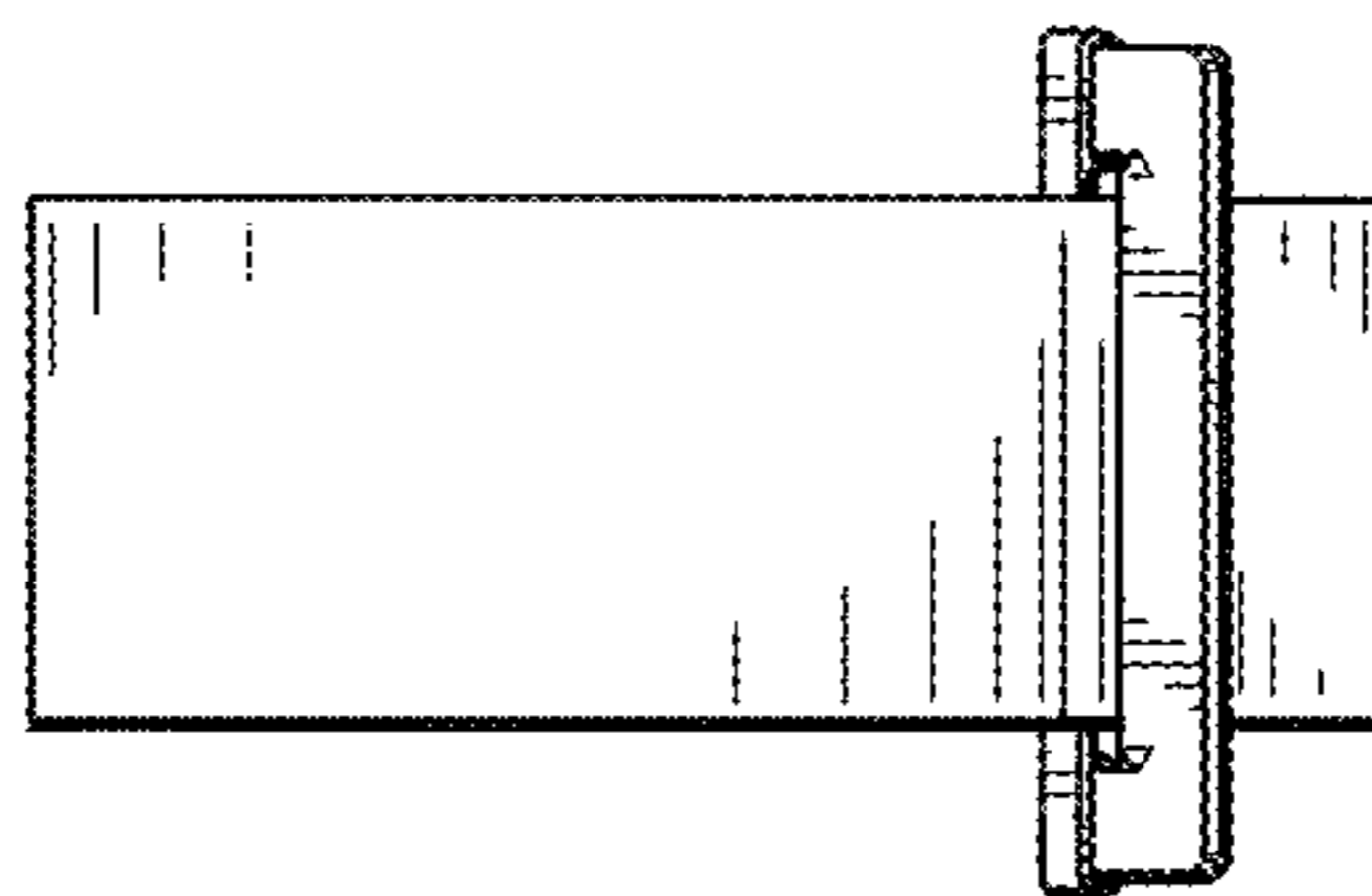


FIG. 10