



US00D741549S

(12) **United States Design Patent**  
**Lee**

(10) **Patent No.:** **US D741,549 S**  
(45) **Date of Patent:** **\*\* Oct. 20, 2015**

(54) **DOUBLE LOCK HAIR EXTENSION SYSTEM**

(71) Applicant: **Jin Yong Lee**, Seoul (KR)

(72) Inventor: **Jin Yong Lee**, Seoul (KR)

(\*\*) Term: **14 Years**

(21) Appl. No.: **29/489,549**

(22) Filed: **Apr. 30, 2014**

(51) **LOC (10) Cl.** ..... **28-01**

(52) **U.S. Cl.**  
USPC ..... **D28/92**

(58) **Field of Classification Search**

USPC ..... D28/39-43, 92, 93; 132/53-56, 201

CPC ..... A41G 3/02; A41G 5/00; A41G 5/0006;

A41G 5/0013; A41G 5/002; A41G 5/0026;

A41G 5/0033; A41G 5/004; A41G 5/0046

See application file for complete search history.

(56) **References Cited**

**U.S. PATENT DOCUMENTS**

5,107,867 A \* 4/1992 Barrington ..... 132/201

5,894,846 A \* 4/1999 Gang ..... 132/201

6,688,315 B1 \* 2/2004 Harrison ..... 132/201

|              |      |         |               |       |         |
|--------------|------|---------|---------------|-------|---------|
| 6,820,625    | B2 * | 11/2004 | Park          | ..... | 132/201 |
| 6,938,624    | B2 * | 9/2005  | Arroyo et al. | ..... | 132/201 |
| 7,610,921    | B2 * | 11/2009 | Gold          | ..... | 132/53  |
| 7,614,403    | B2 * | 11/2009 | Nomura        | ..... | 132/201 |
| 8,944,076    | B1 * | 2/2015  | Doubt         | ..... | 132/201 |
| 2005/0098190 | A1 * | 5/2005  | Kim           | ..... | 132/201 |
| 2010/0154815 | A1 * | 6/2010  | Chang         | ..... | 132/201 |

\* cited by examiner

*Primary Examiner* — Zenia Bennett

(57) **CLAIM**

The ornamental design for a double lock hair extension system, as shown and described.

**DESCRIPTION**

FIG. 1 is a perspective view of a double lock hair extension system showing my new design;

FIG. 2 is another perspective view thereof;

FIG. 3 is a front elevational view thereof;

FIG. 4 is a rear elevational view thereof;

FIG. 5 is a left side elevational view thereof;

FIG. 6 is a right side elevational view thereof;

FIG. 7 is a top plan view thereof; and,

FIG. 8 is a cross-sectional view thereof.

**1 Claim, 6 Drawing Sheets**

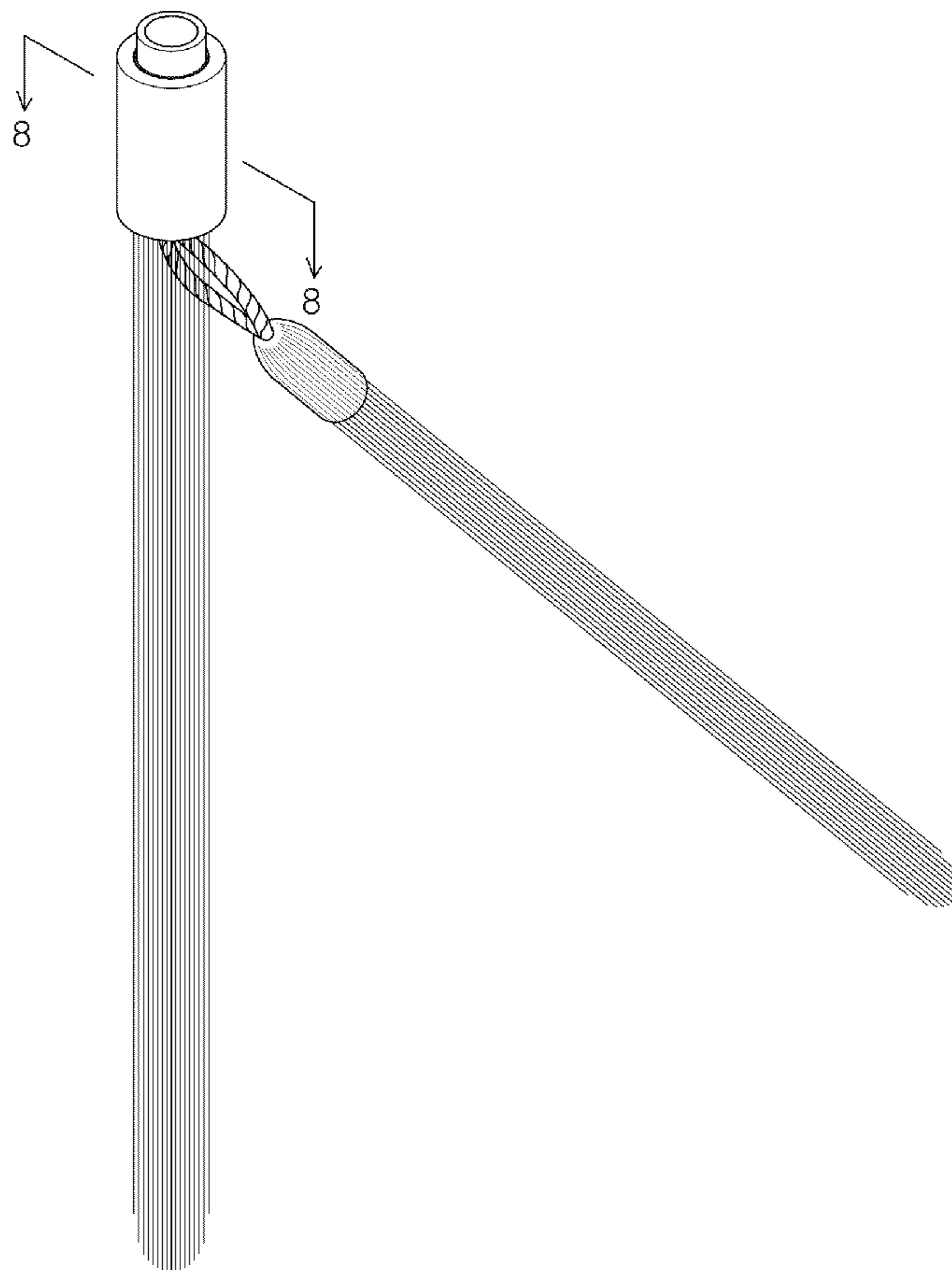


FIG. 1

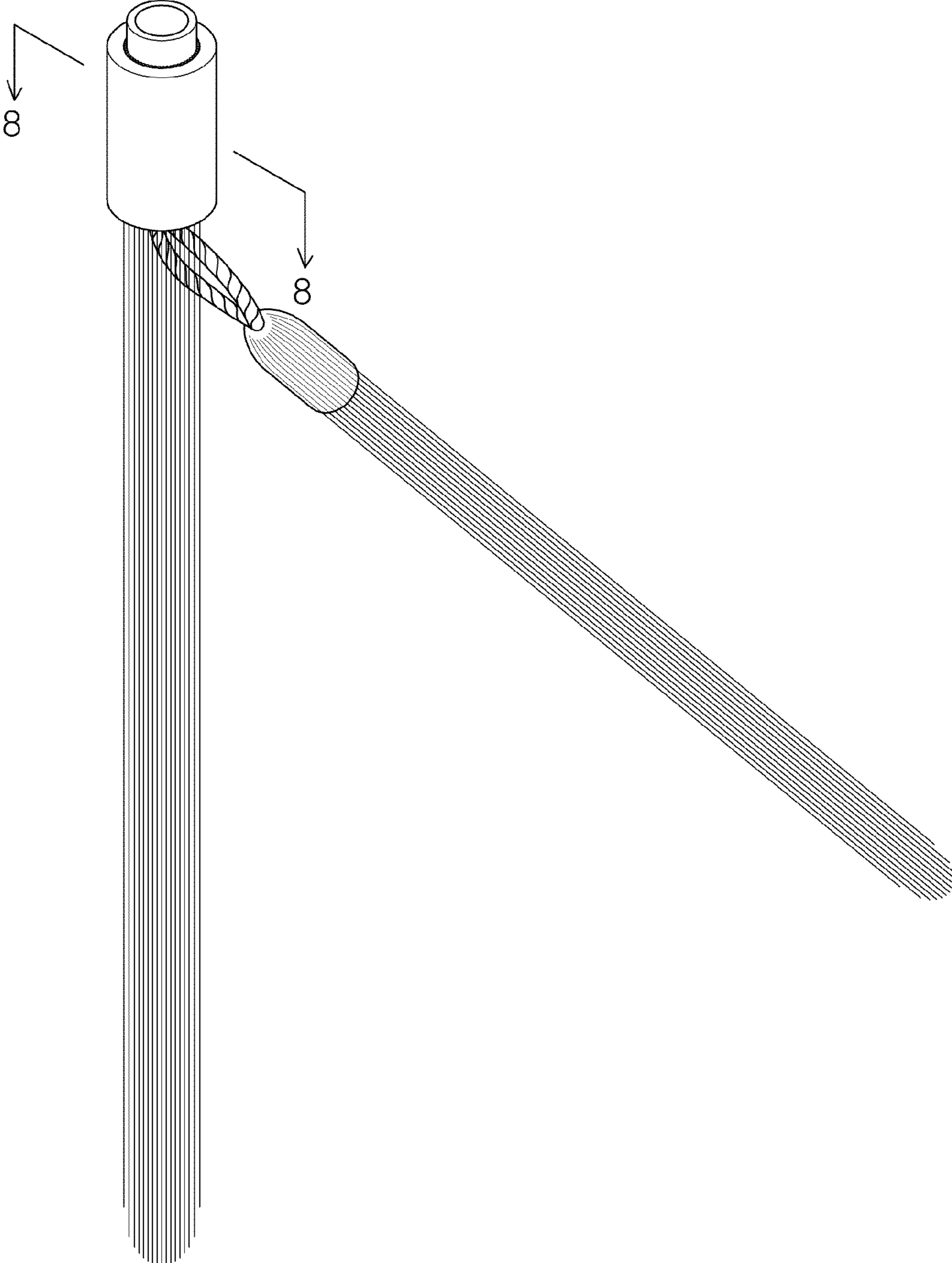


FIG. 2

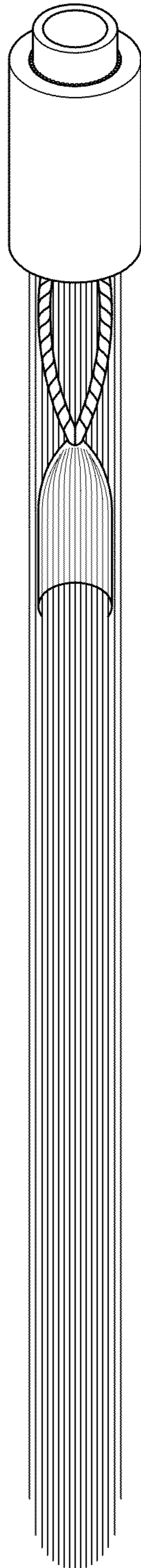


FIG. 3

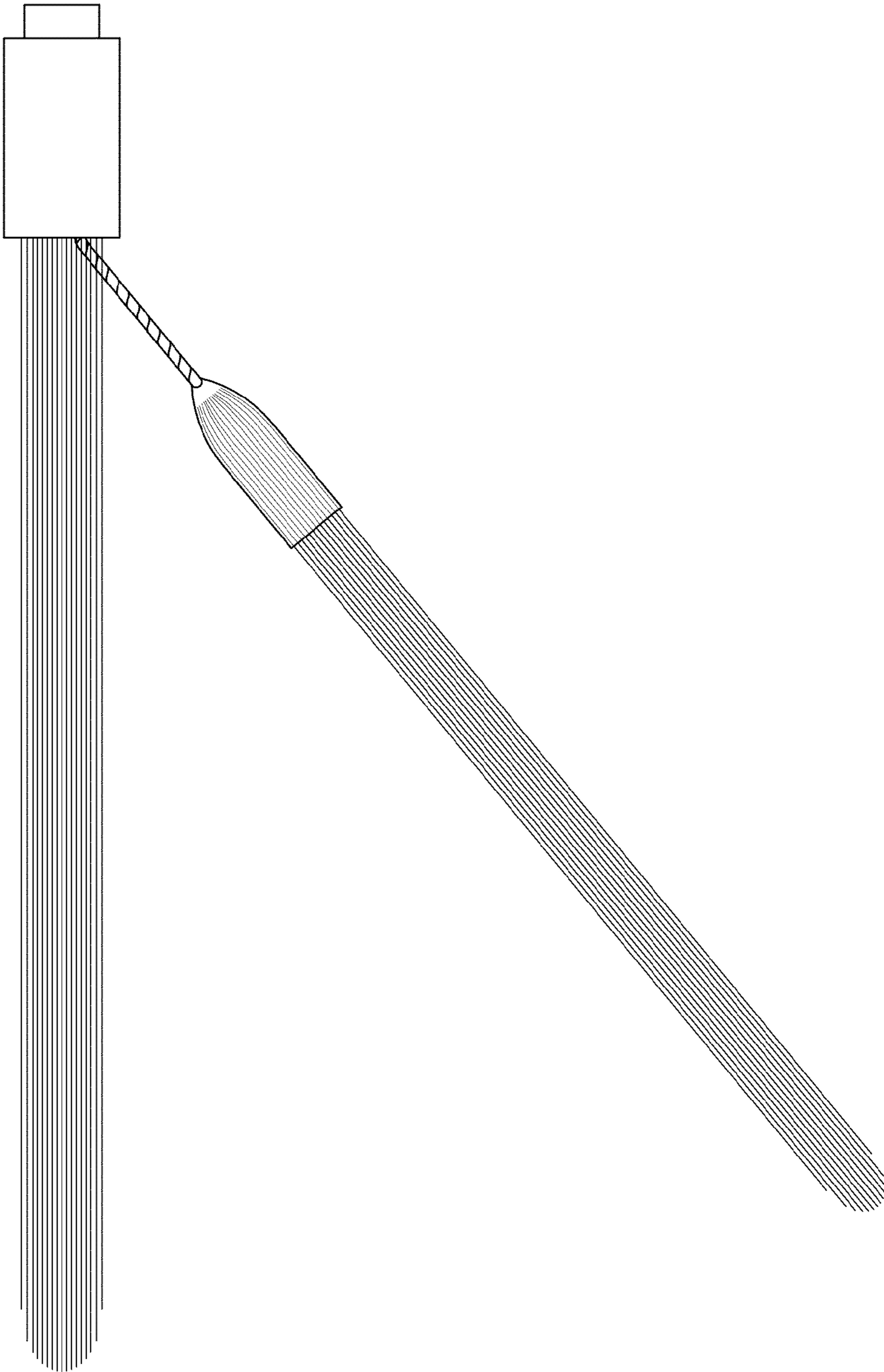


FIG. 4

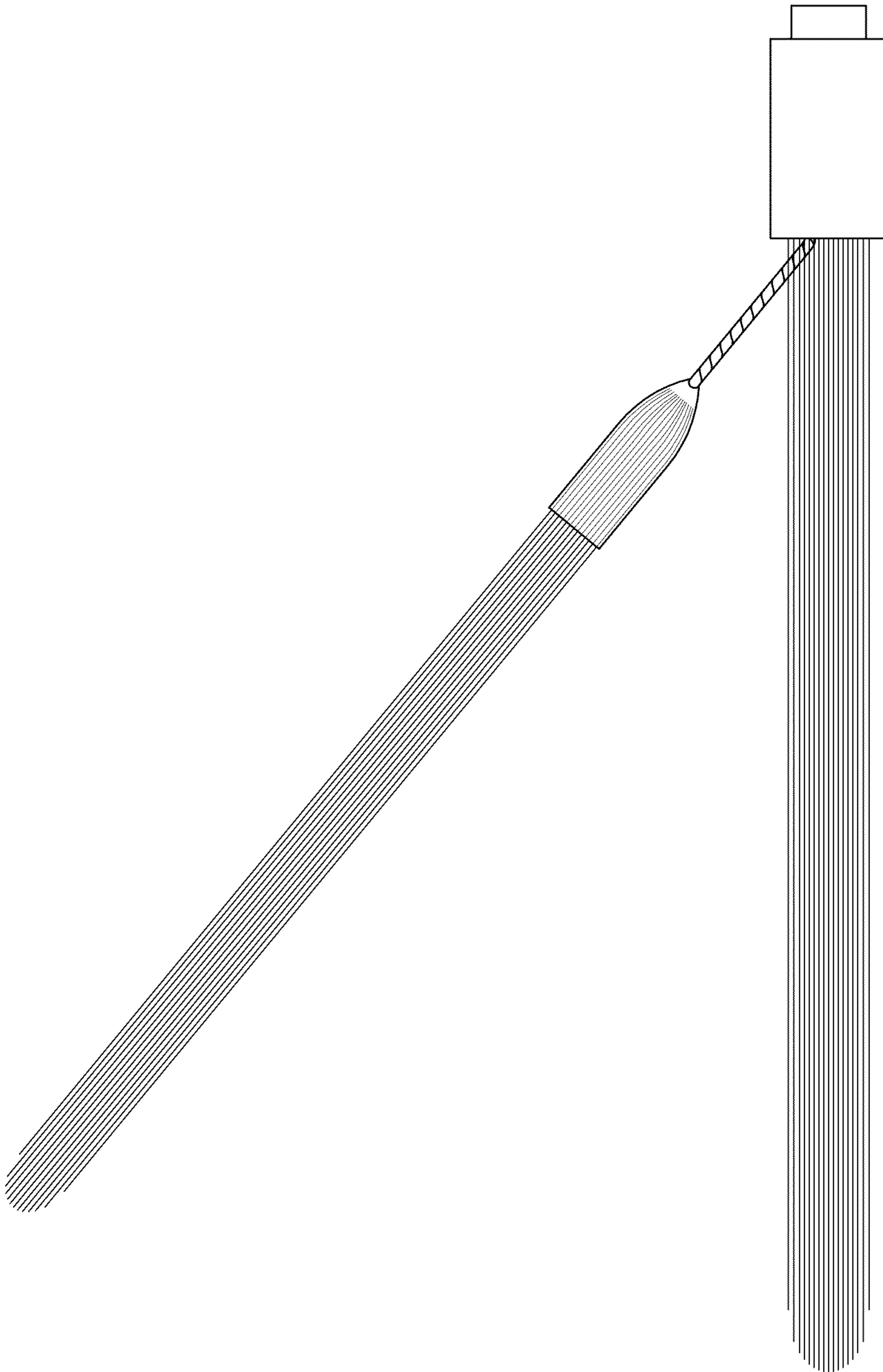


FIG. 5

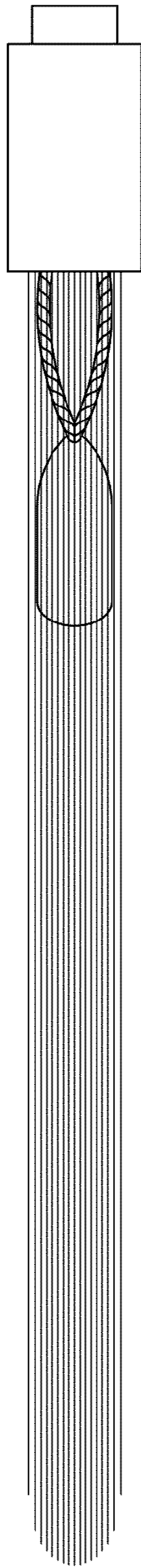


FIG. 6

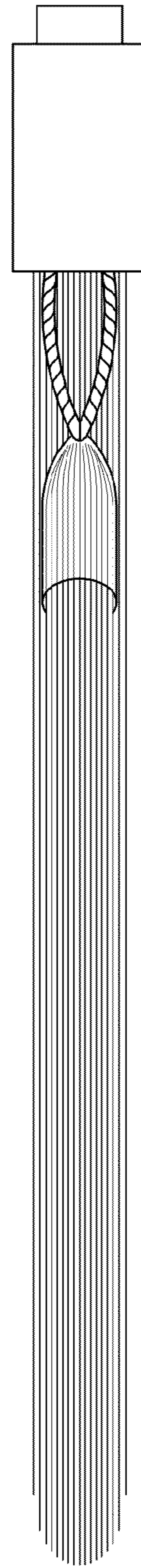


FIG. 7

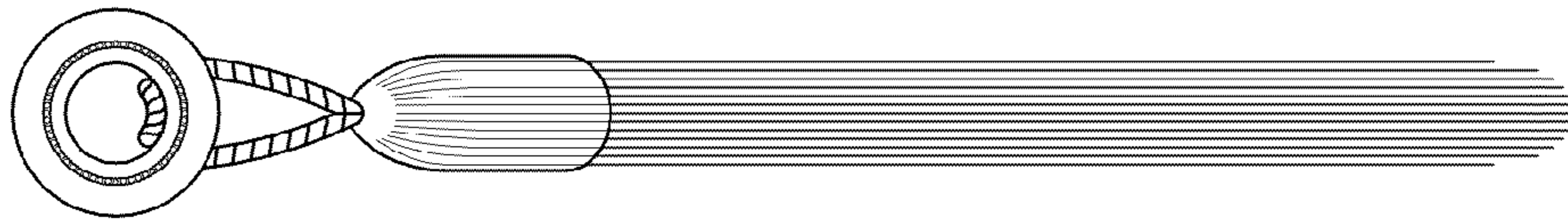


FIG. 8

