



US00D741546S

(12) **United States Design Patent**
Witkus et al.

(10) **Patent No.:** **US D741,546 S**
(45) **Date of Patent:** **** Oct. 20, 2015**

- (54) **RAZOR CARTRIDGE**
- (71) Applicant: **The Gillette Company**, Boston, MA (US)
- (72) Inventors: **Stephen Charles Witkus**, Northbridge, MA (US); **Neil Lettenberger**, Boston, MA (US); **Armando Miguel Hurtado**, Boston, MA (US)
- (73) Assignee: **The Gillette Company**, Boston, MA (US)
- (**) Term: **14 Years**
- (21) Appl. No.: **29/472,583**
- (22) Filed: **Nov. 13, 2013**
- (51) **LOC (10) Cl.** **28-03**
- (52) **U.S. Cl.**
USPC **D28/47**
- (58) **Field of Classification Search**
USPC D28/44-48
CPC B26B 21/00-21/12; B26B 21/14;
B26B 21/16; B26B 21/18; B26B 21/20-21/227; B26B 21/4062; B26B 21/4068; B26B 21/4075; B26B 21/52-21/528
See application file for complete search history.

D575,454 S *	8/2008	Keene et al.	D28/47
D629,564 S *	12/2010	Jung	D28/47
D631,198 S *	1/2011	Adams et al.	D28/47
D633,253 S *	2/2011	Wonderley et al.	D28/47
D643,977 S *	8/2011	Wonderley et al.	D28/47
D648,075 S *	11/2011	Wonderley et al.	D28/47
D661,020 S *	5/2012	Wain et al.	D28/46
2008/0172878 A1 *	7/2008	Luxton	30/34.1
2010/0122464 A1 *	5/2010	Ndou et al.	30/41
2011/0203113 A1 *	8/2011	Wang	30/41
2012/0159787 A1 *	6/2012	Luxton	30/50
2012/0279070 A1 *	11/2012	Seo	30/34.2

* cited by examiner

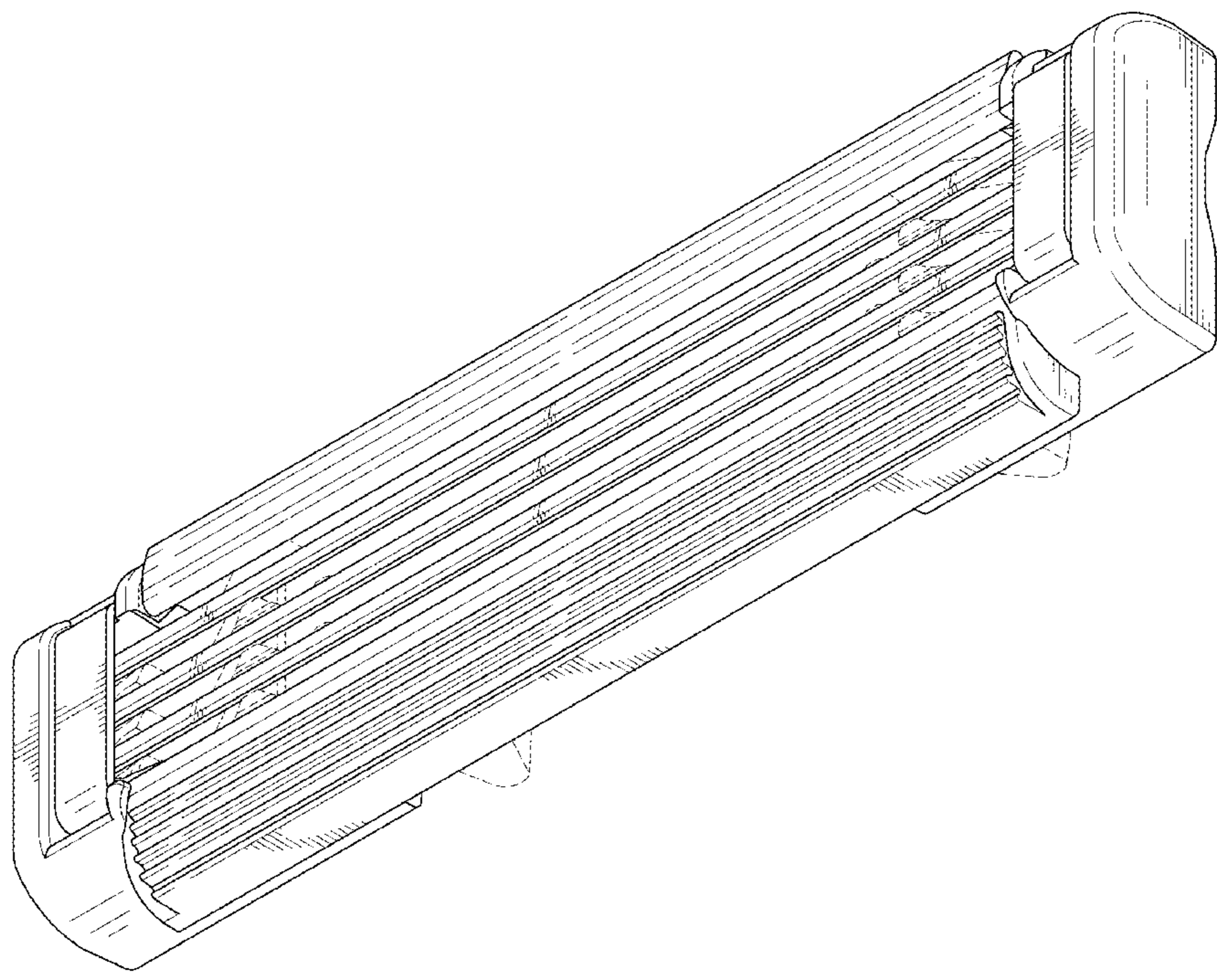
Primary Examiner — Jennifer Rivard
(74) *Attorney, Agent, or Firm* — Joanne N. Pappas; Kevin C. Johnson; Steven W. Miller

(57) **CLAIM**
The ornamental design for a razor cartridge, as shown and described.

DESCRIPTION
FIG. 1 is a top perspective view of a design of a razor cartridge of the present invention;
FIG. 2 is a front view thereof;
FIG. 3 is a back view thereof;
FIG. 4 is a right side view thereof;
FIG. 5 is a left side view thereof;
FIG. 6 is a top view thereof;
FIG. 7 is a bottom view thereof; and,
FIG. 8 is a bottom perspective view thereof.
The broken lines illustrate portions of the razor cartridge and form no part of the claimed design.

1 Claim, 5 Drawing Sheets

- (56) **References Cited**
U.S. PATENT DOCUMENTS
D422,751 S * 4/2000 Gray D28/47
6,243,951 B1 * 6/2001 Oldroyd 30/34.2
D514,253 S * 1/2006 Gray D28/47



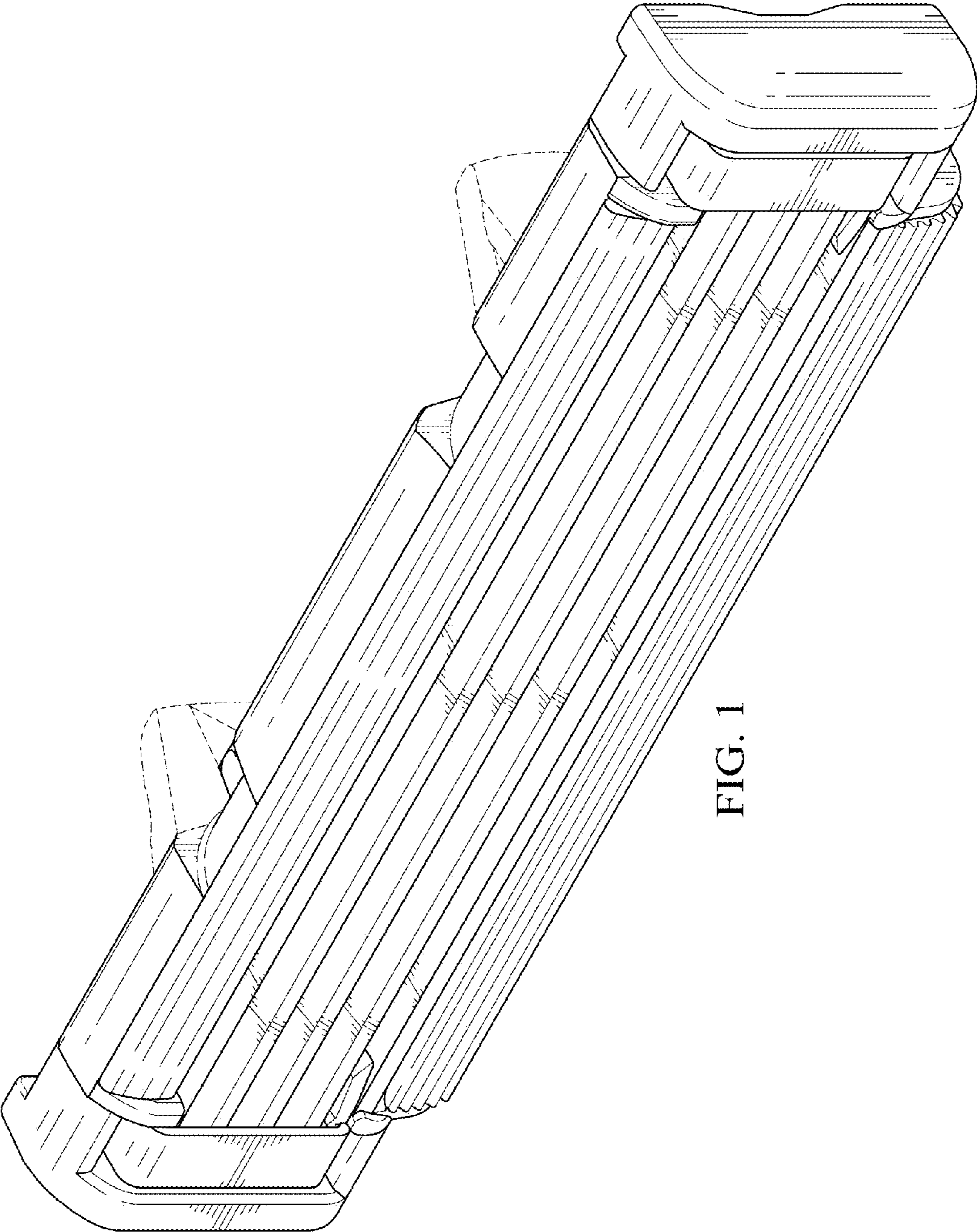


FIG. 1

FIG. 2

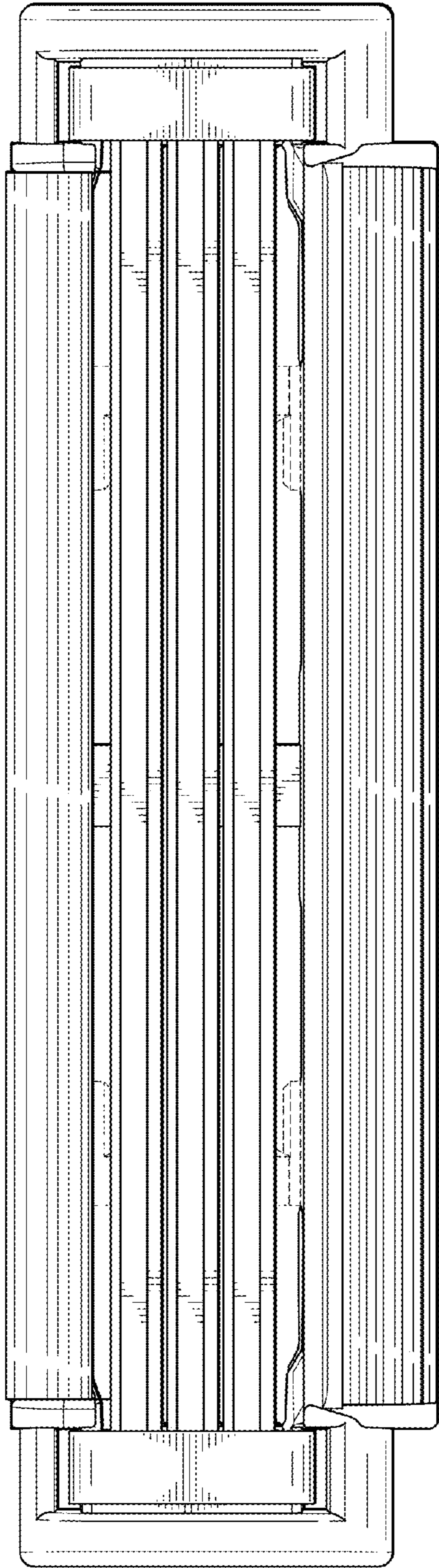


FIG. 3

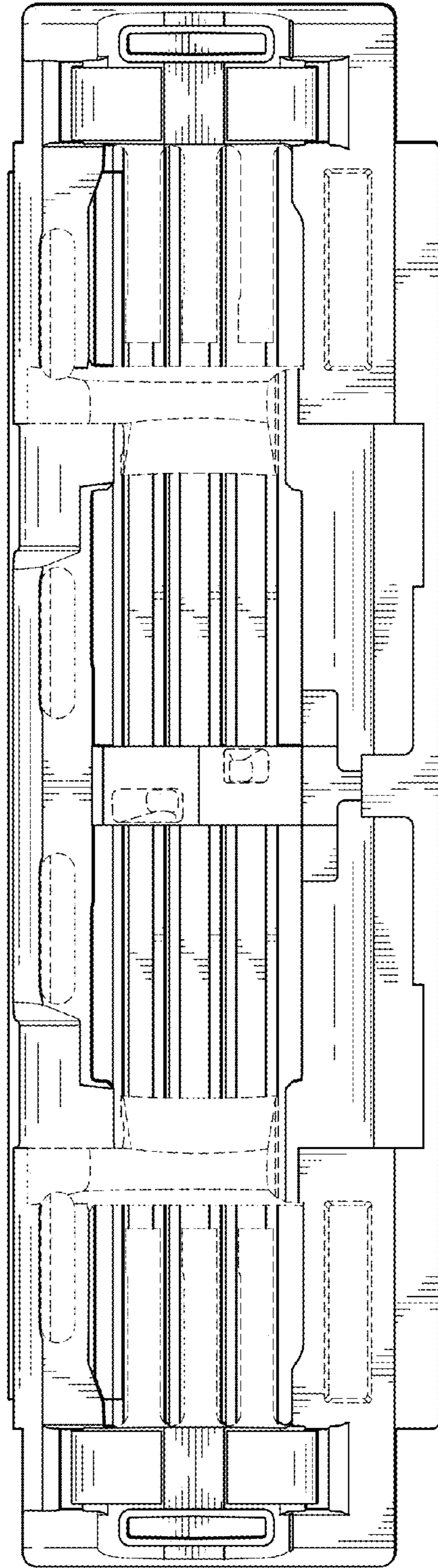


FIG. 5

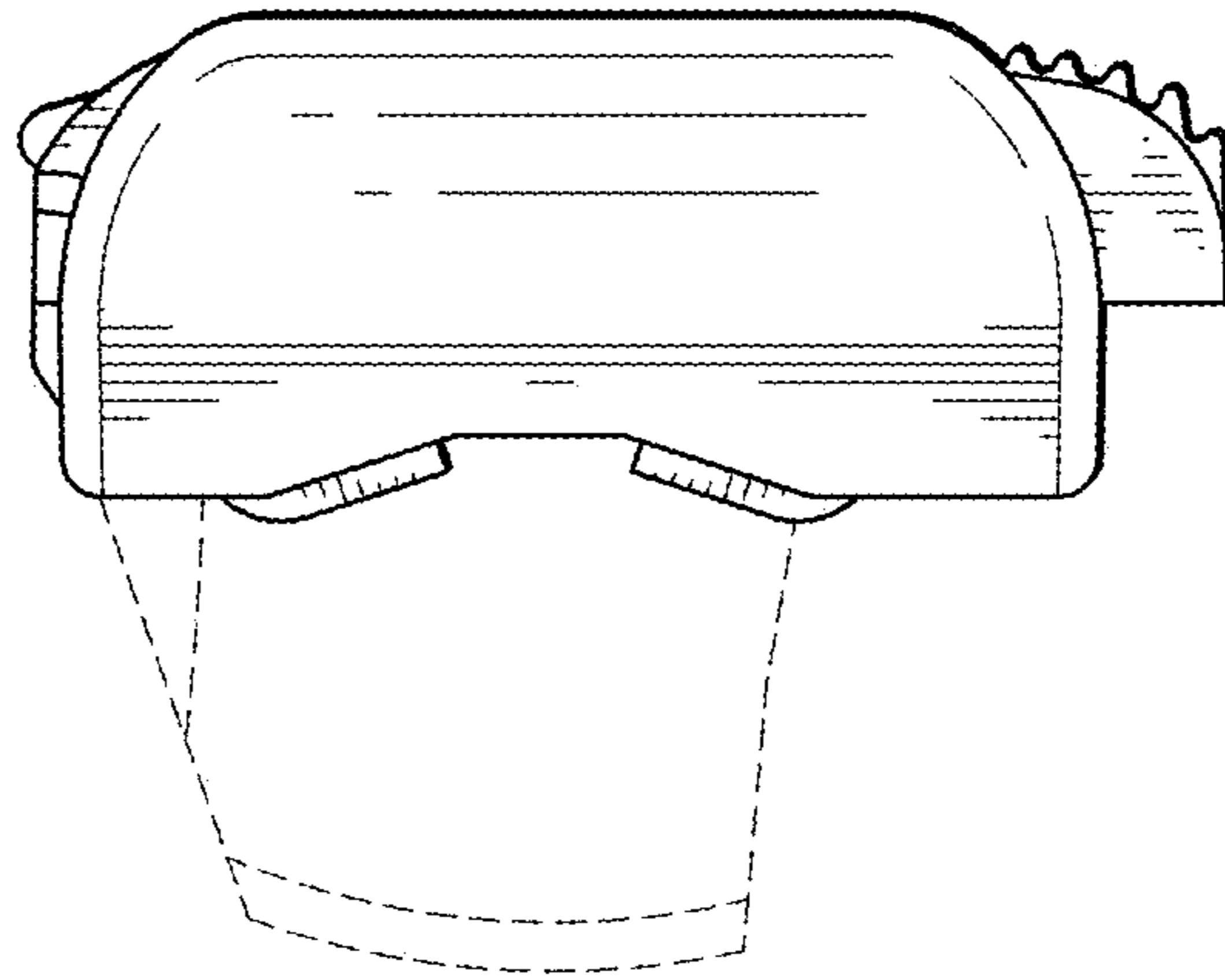


FIG. 4

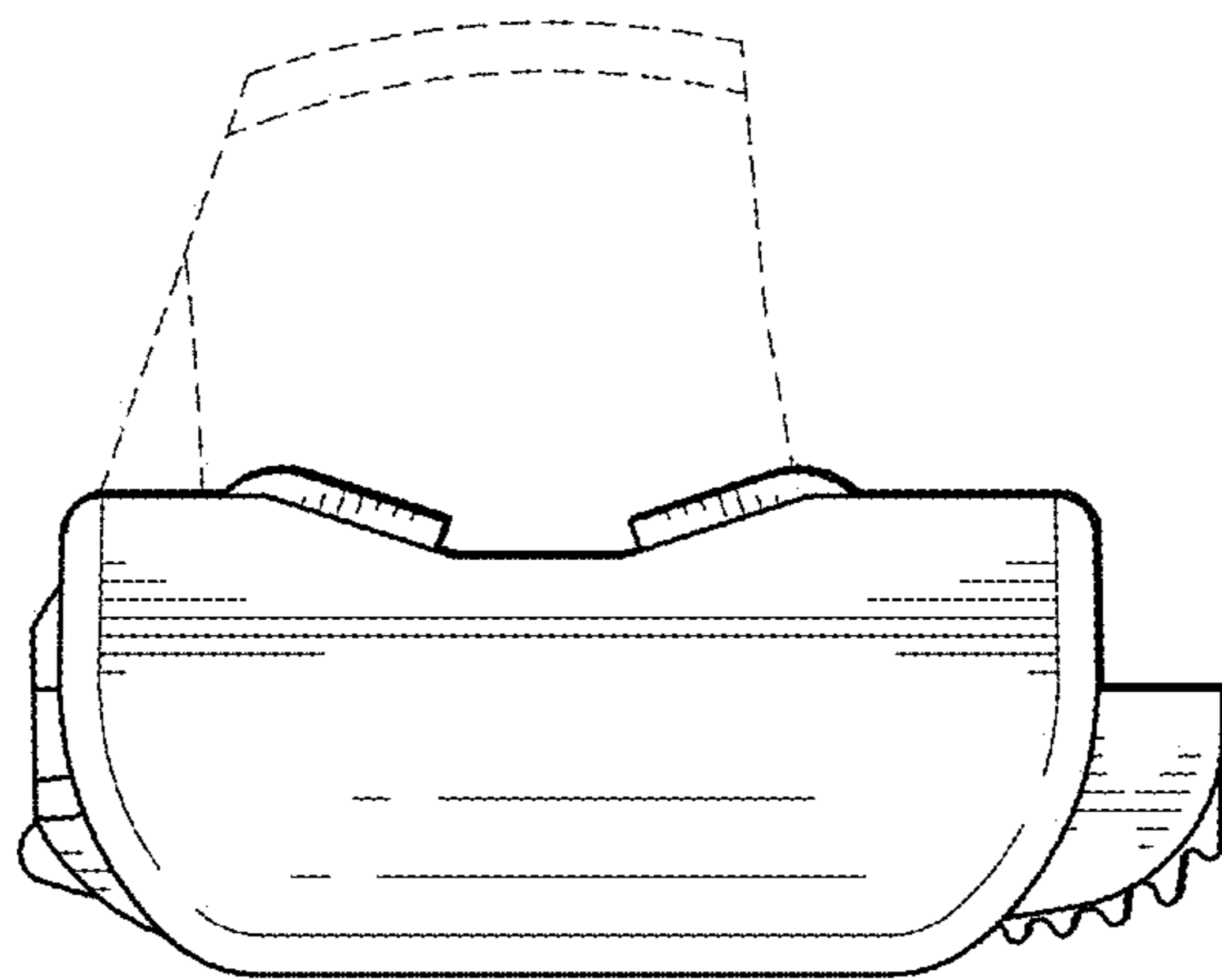


FIG. 6

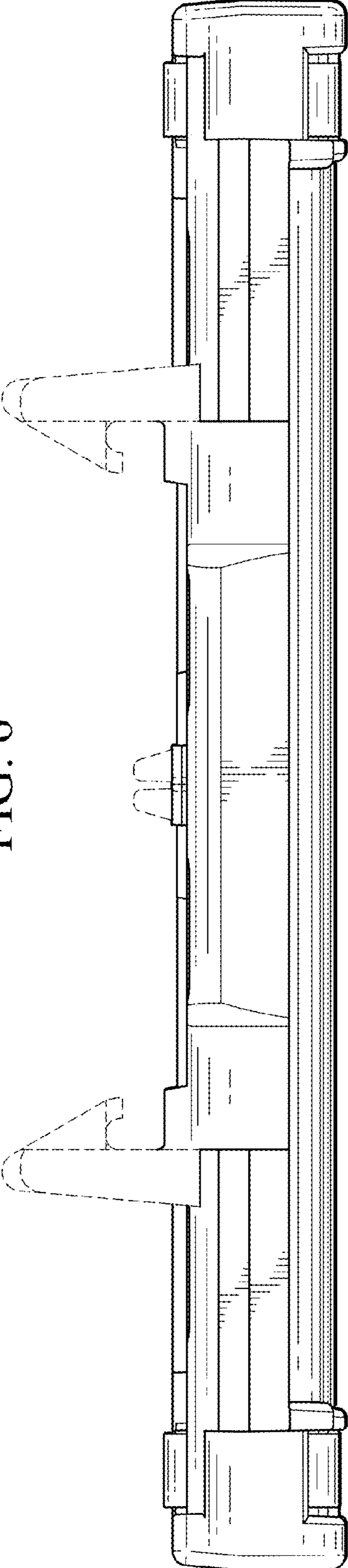
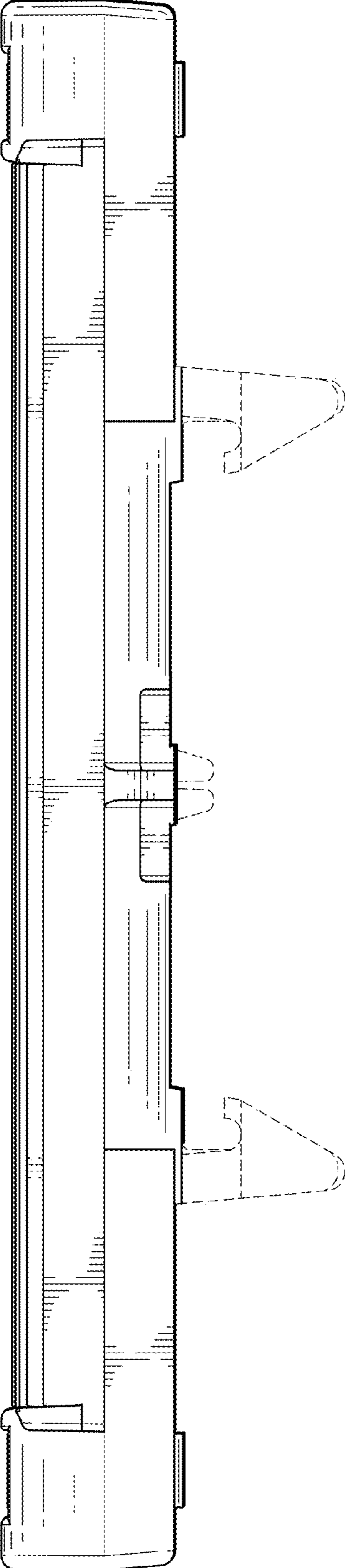


FIG. 7



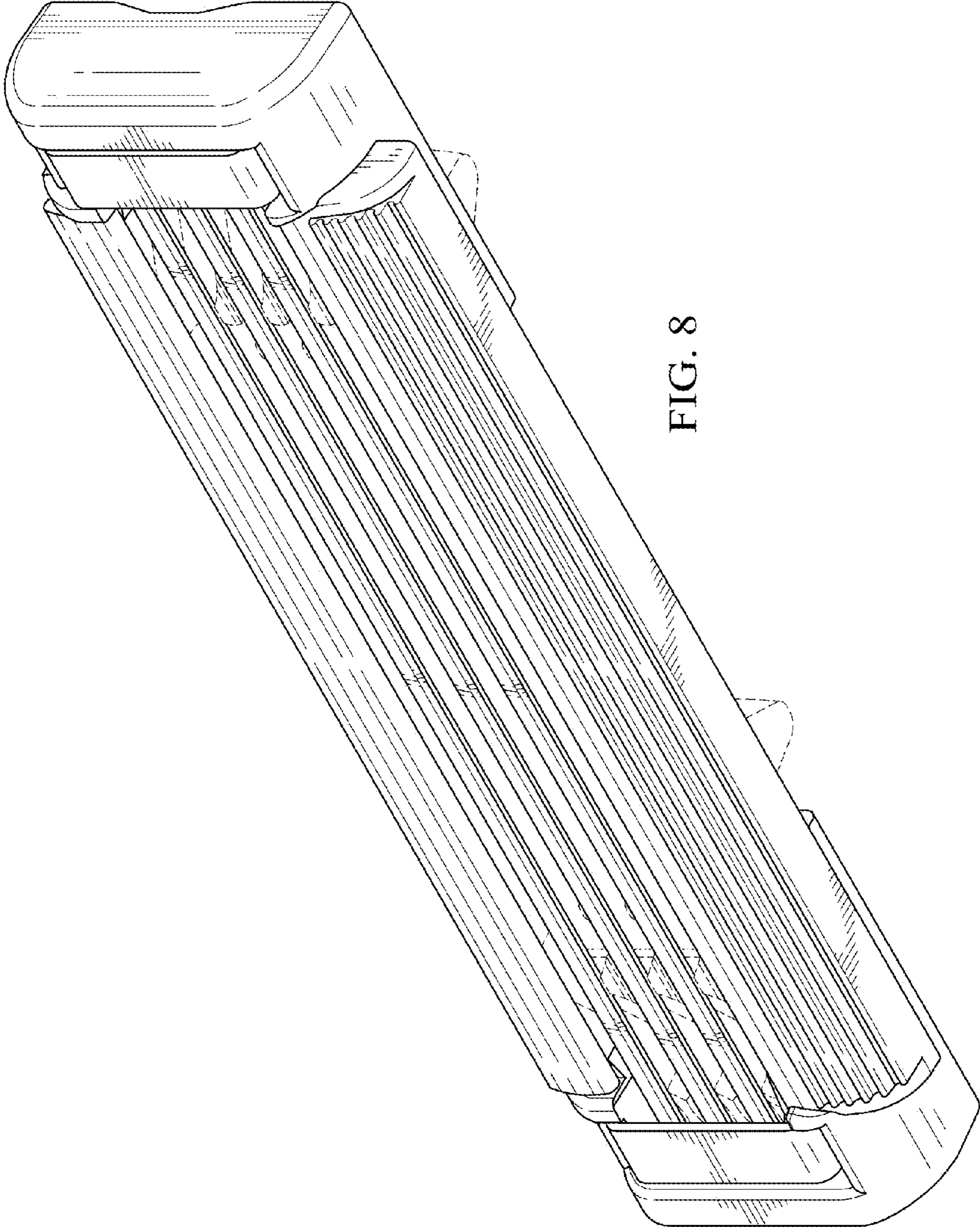


FIG. 8