



US00D741543S

(12) **United States Design Patent**
Rufo et al.

(10) **Patent No.:** **US D741,543 S**
(45) **Date of Patent:** **** Oct. 20, 2015**

(54) **HAIR STRAND COLORING BASE PANEL**

(56) **References Cited**

(71) Applicant: **The Procter & Gamble Company,**
Cincinnati, OH (US)

U.S. PATENT DOCUMENTS

(72) Inventors: **Paula Rufo,** Woodland Hills, CA (US);
Ronald Wienziers, Dieburg (DE)

5,433,225	A *	7/1995	Liggett et al.	132/208
5,655,551	A *	8/1997	Knight	132/200
7,628,160	B2 *	12/2009	Winup	132/124
D646,019	S *	9/2011	Anderson	D28/7
D656,269	S *	3/2012	Castagno et al.	D28/7
2010/0095974	A1 *	4/2010	Laje	132/208

(73) Assignee: **The Procter & Gamble Company,**
Cincinnati, OH (US)

* cited by examiner

(**) Term: **14 Years**

Primary Examiner — Zenia Bennett

(21) Appl. No.: **29/488,167**

(74) *Attorney, Agent, or Firm* — James T. Fondriest

(22) Filed: **Apr. 16, 2014**

(57) **CLAIM**

(30) **Foreign Application Priority Data**

The ornamental design for hair strand coloring base panel, as shown and described.

Oct. 18, 2013 (WO) 769058201

(51) **LOC (10) Cl.** **28-03**

DESCRIPTION

(52) **U.S. Cl.**
USPC **D28/7**

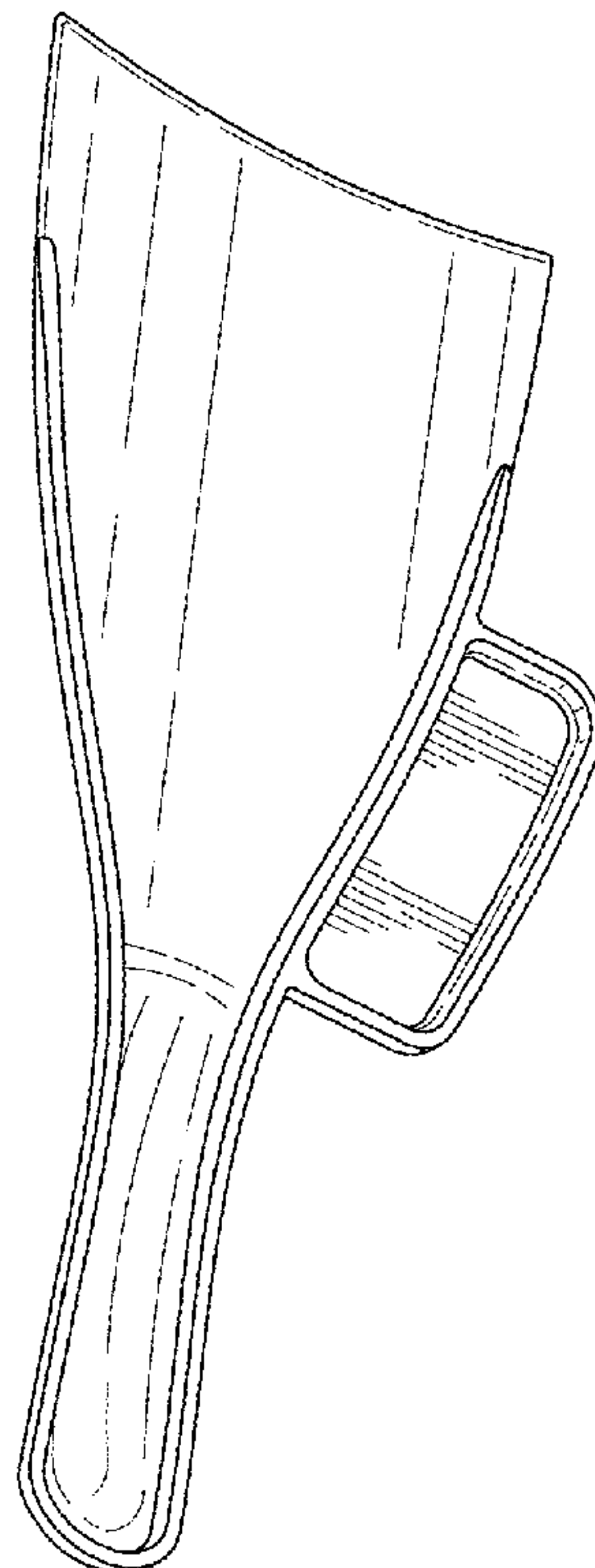
(58) **Field of Classification Search**
USPC D28/7, 8, 20–22, 30–31, 76, 85, 99;
132/108, 202, 208, 317.32;
401/202–207, 261–267; D4/132–135;
D24/119

FIG. 1 is a perspective view of a hair strand coloring base panel;
FIG. 2 is a front view of a hair strand coloring base panel;
FIG. 3 is a left side view of a hair strand coloring base panel;
FIG. 4 is a rear view of a hair strand coloring base panel;
FIG. 5 is a right side view of a hair strand coloring base panel;
FIG. 6 is a top plan view of a hair strand coloring base panel;
and,
FIG. 7 is a bottom view of a hair strand coloring base panel.

CPC . A45D 34/002; A45D 34/005; A45D 34/007;
A45D 34/04; A45D 34/041; A45D 34/042;
A45D 34/043; A45D 34/045; A45D 34/046;
A45D 34/047; A45D 34/048; A45D 34/06

See application file for complete search history.

1 Claim, 3 Drawing Sheets



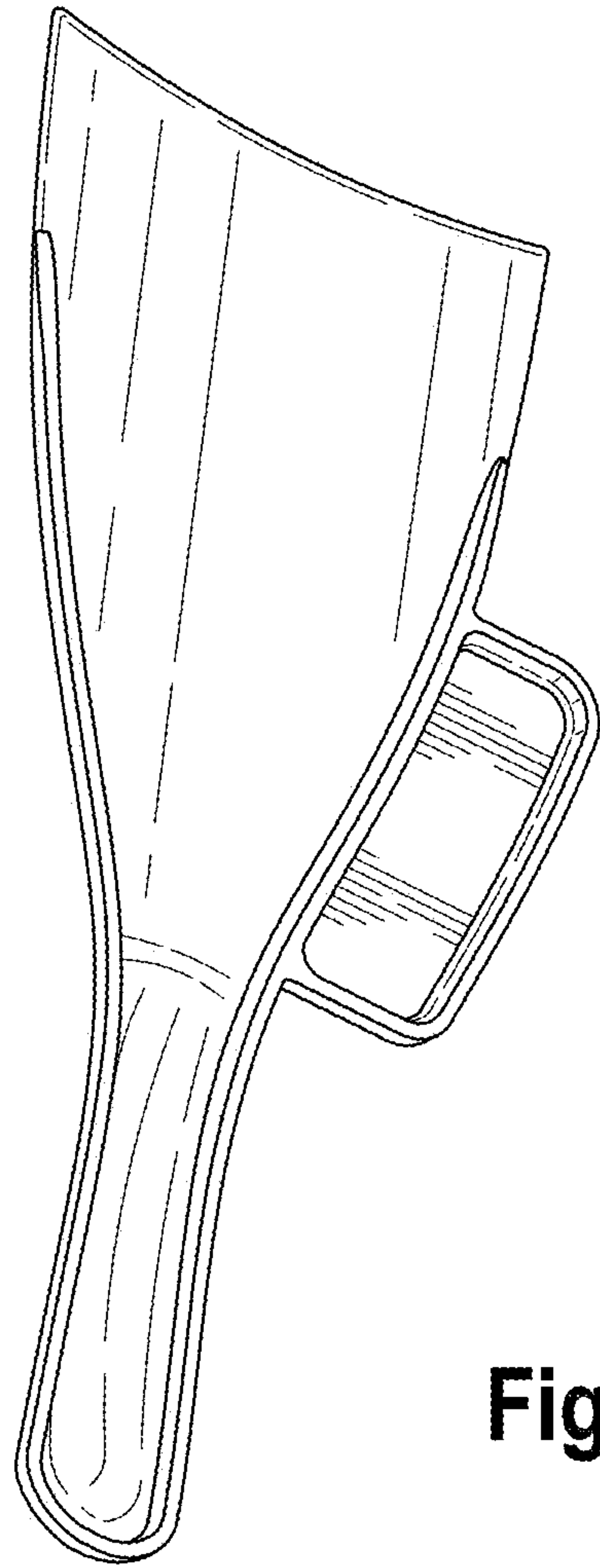


Fig. 1

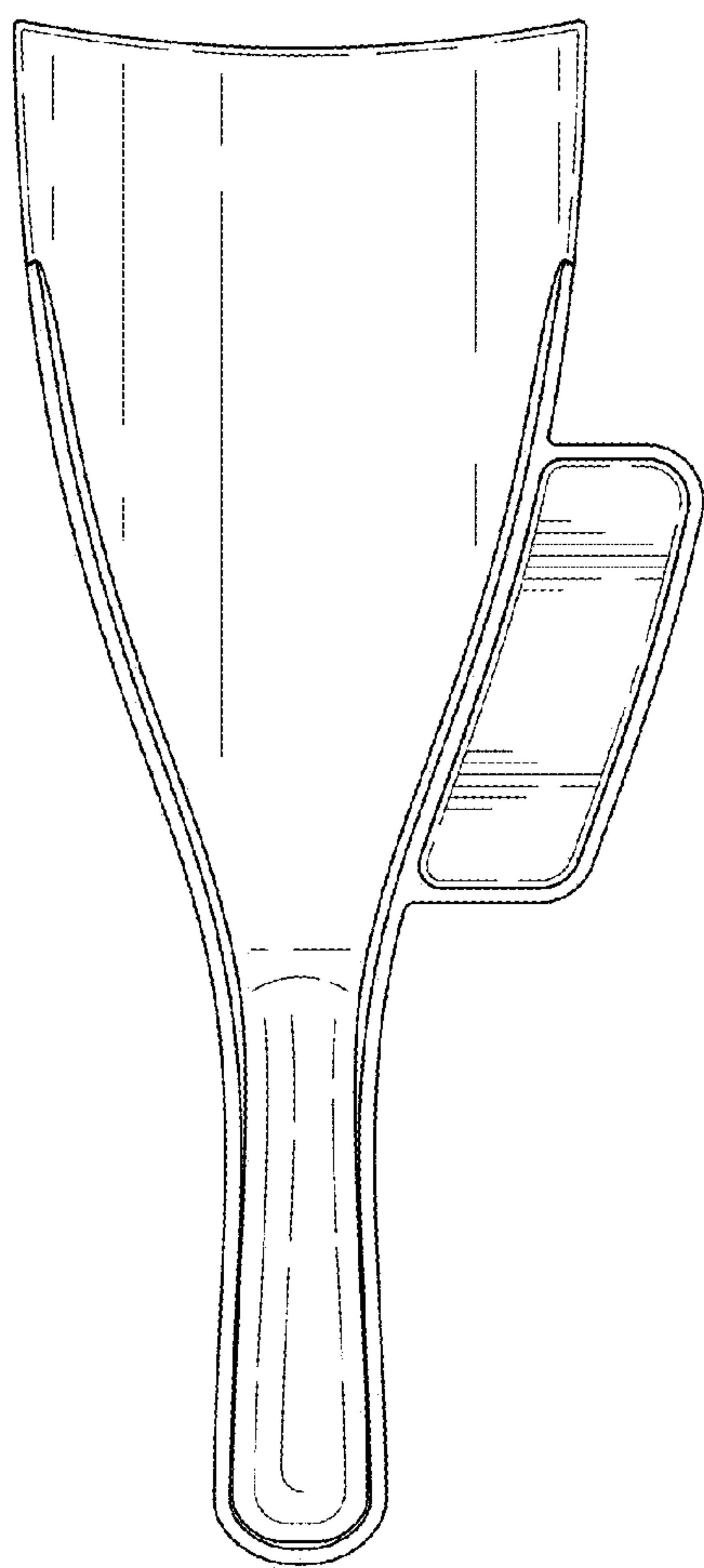


Fig. 2

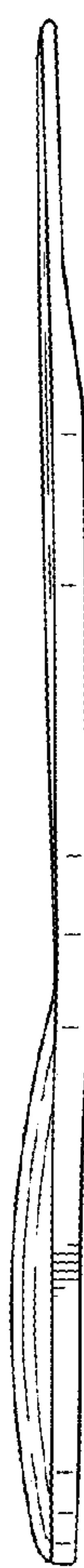


Fig. 3

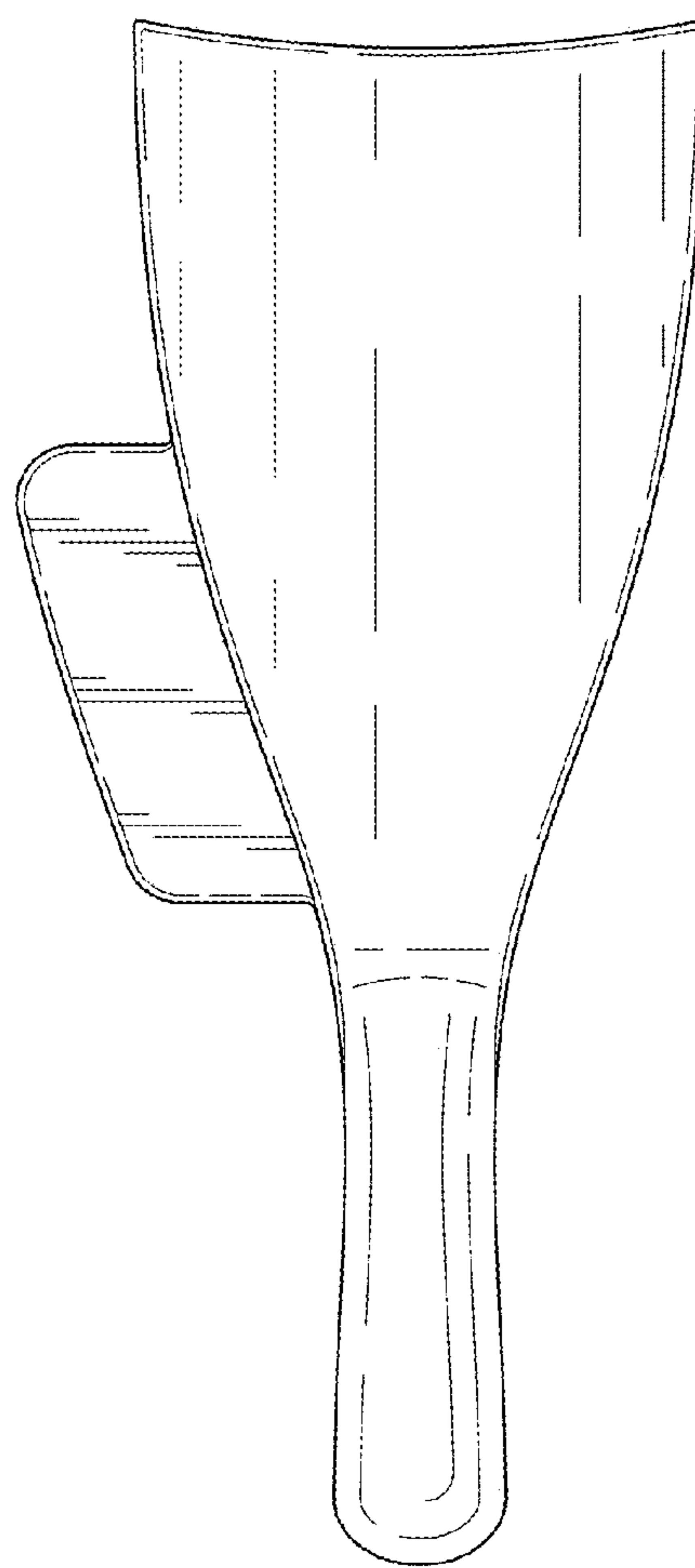


Fig. 4



Fig. 5



Fig. 6



Fig. 7