



US00D741538S

(12) **United States Design Patent**  
**Ghasabi**

(10) **Patent No.:** **US D741,538 S**

(45) **Date of Patent:** **\*\* Oct. 20, 2015**

(54) **COVER FOR A RECESSED LIGHT FIXTURE**

(56) **References Cited**

(71) Applicant: **LUMINIZ INC.**, Etobicoke (CA)

U.S. PATENT DOCUMENTS

(72) Inventor: **Amir Ghasabi**, Etobicoke (CA)

D381,111 S \* 7/1997 Lecluze ..... D26/118

D387,466 S \* 12/1997 Lecluze ..... D26/118

(73) Assignee: **LUMINIZ INC.**, Etobicoke (CA)

6,267,491 B1 \* 7/2001 Parrigin ..... 362/362

D488,583 S \* 4/2004 Benghozi ..... D26/118

(\*\*) Term: **14 Years**

D516,235 S \* 2/2006 Rashidi ..... D26/138

D726,363 S \* 4/2015 Danesh ..... D26/138

(21) Appl. No.: **29/480,753**

2013/0322062 A1 \* 12/2013 Danesh ..... 362/157

2014/0254177 A1 \* 9/2014 Danesh ..... 362/365

(22) Filed: **Jan. 29, 2014**

\* cited by examiner

(30) **Foreign Application Priority Data**

*Primary Examiner* — George D Kirschbaum

*Assistant Examiner* — Natasha Vujcic

Dec. 31, 2013 (CA) ..... 154561

(74) *Attorney, Agent, or Firm* — Perry + Currier Inc.

(51) **LOC (10) Cl.** ..... **26-99**

(57) **CLAIM**

(52) **U.S. Cl.**

The ornamental design for a cover for a recessed light fixture, as shown and described.

USPC ..... **D26/138**

(58) **Field of Classification Search**

**DESCRIPTION**

USPC ..... D26/72, 74, 75, 76, 78, 79, 80, 81, 82,  
D26/83, 85, 86, 88, 90, 113, 118, 119, 120,  
D26/121, 122, 138, 139, 140, 141, 142;  
362/23.07, 23.09, 23.16, 217.01,  
362/217.02, 217.05, 217.08, 217.09, 218,  
362/249.02, 260, 311.02, 555, 612, 614,  
362/800; D13/179, 180; D25/119, 122,  
D25/124, 125

FIG. 1 is a top perspective view of the cover for a recessed light fixture.

FIG. 2 is a bottom perspective view of the cover.

FIG. 3 is a side view of the cover, the cover appearing substantially identical from all sides, with the exception of the four projecting tabs.

FIG. 4 is a top view of the cover.

FIG. 5 is a bottom view of the cover; and,

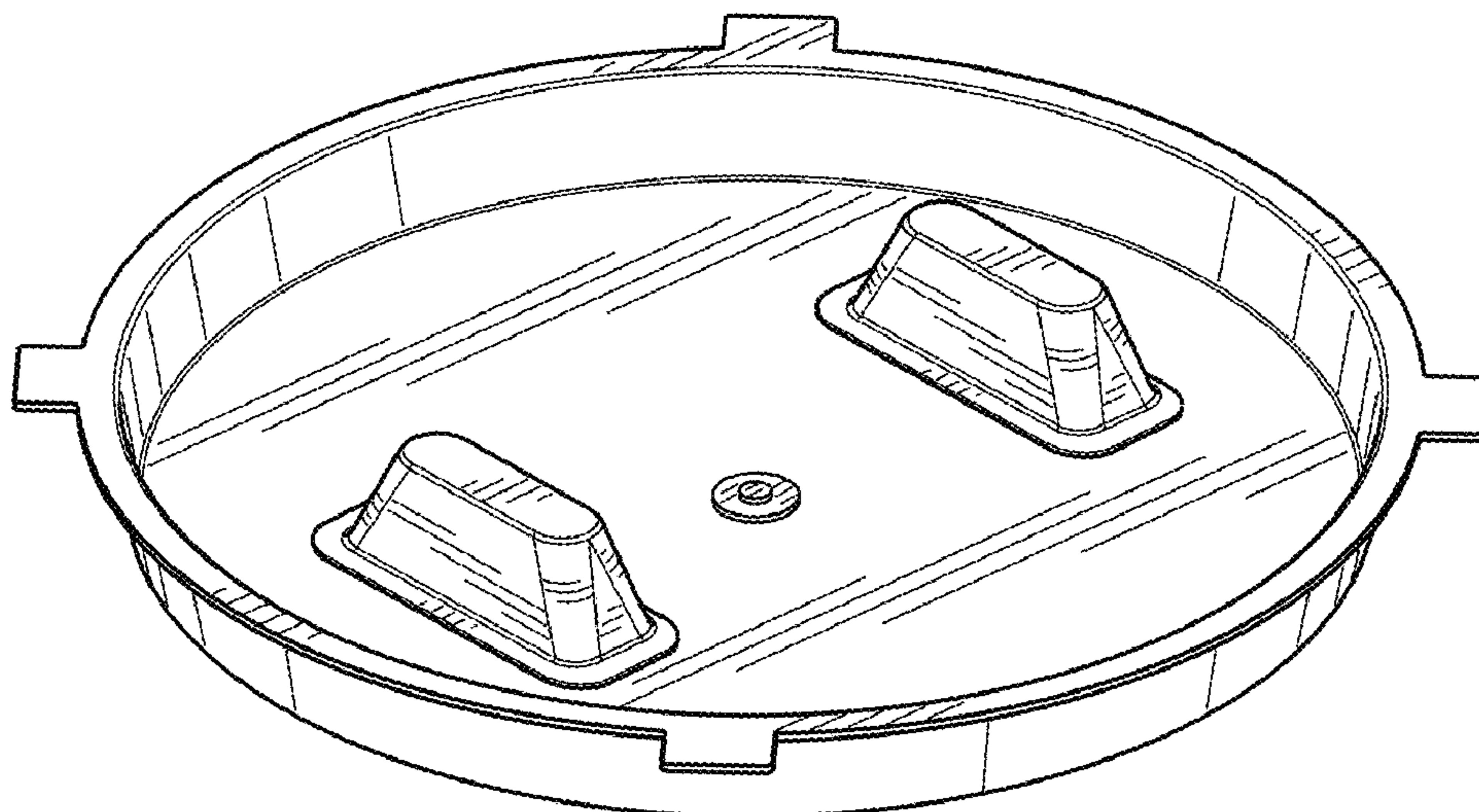
FIG. 6 is a top perspective view of the cover installed in a recessed light fixture.

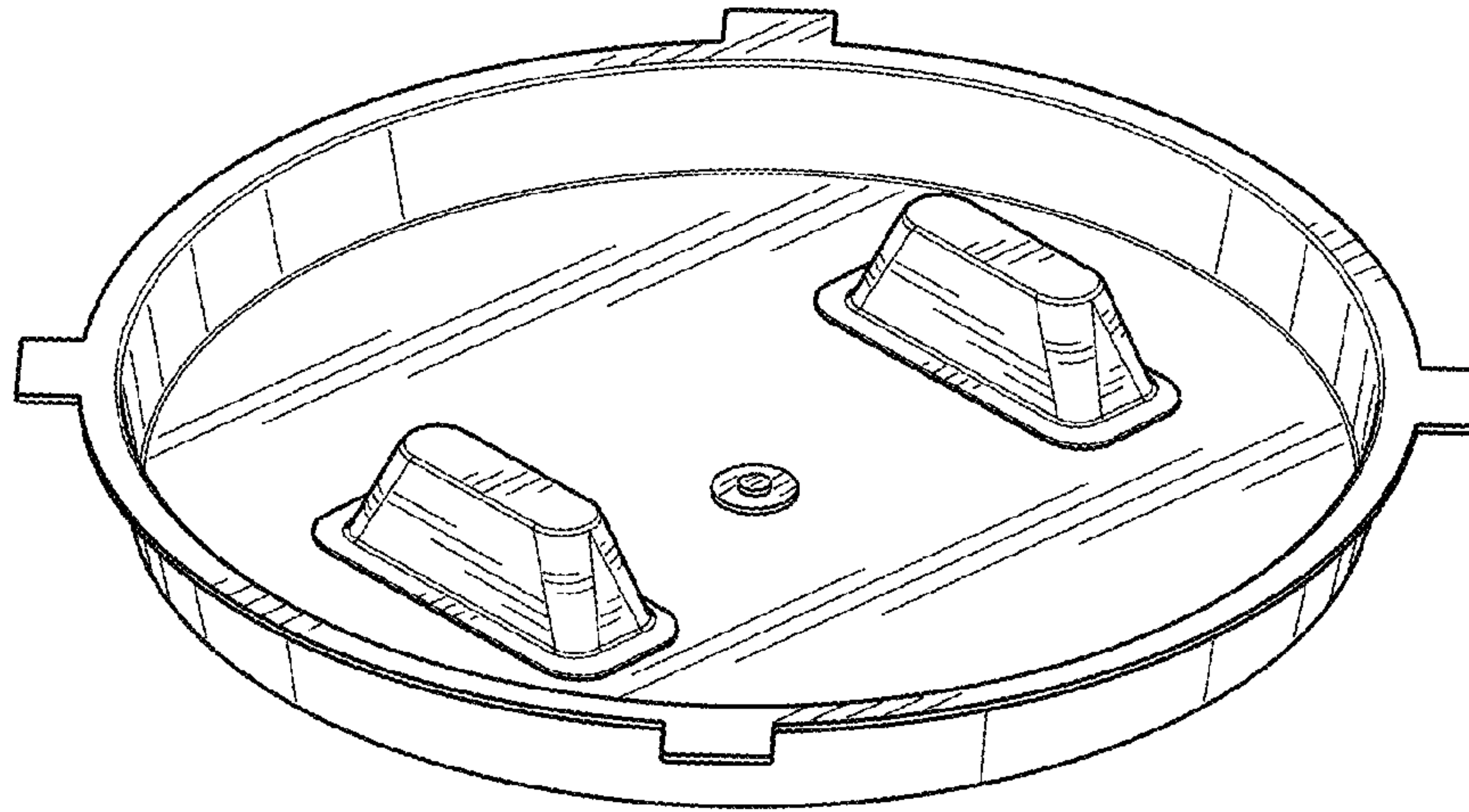
The broken lines in FIG. 6 illustrates environmental subject matter and forms no part of the claimed design.

CPC ..... F21S 6/00; F21S 6/004; F21S 6/006;  
F21S 8/00; F21S 8/024; F21S 8/026; F21S  
8/031; F21S 8/035-8/037; F21S 8/04; F21S  
8/043; F21S 8/063; F21V 17/02; F21V 17/04;  
F21V 17/06; F21V 21/002; F21V 21/02;  
F21V 21/03; F21V 21/04; F21V 21/14;  
F21V 23/02; F21V 23/04; F21V 23/0442

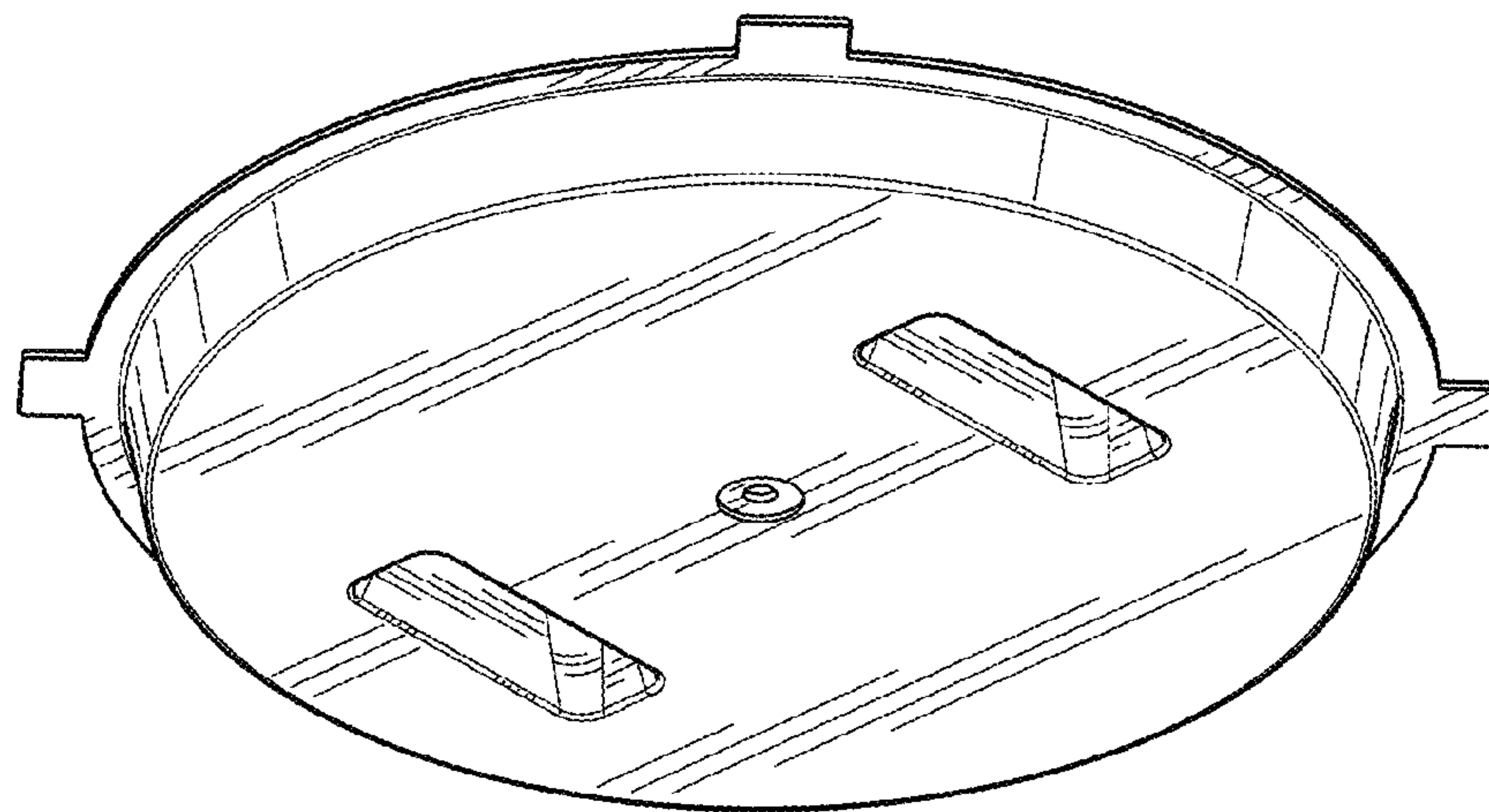
See application file for complete search history.

**1 Claim, 3 Drawing Sheets**





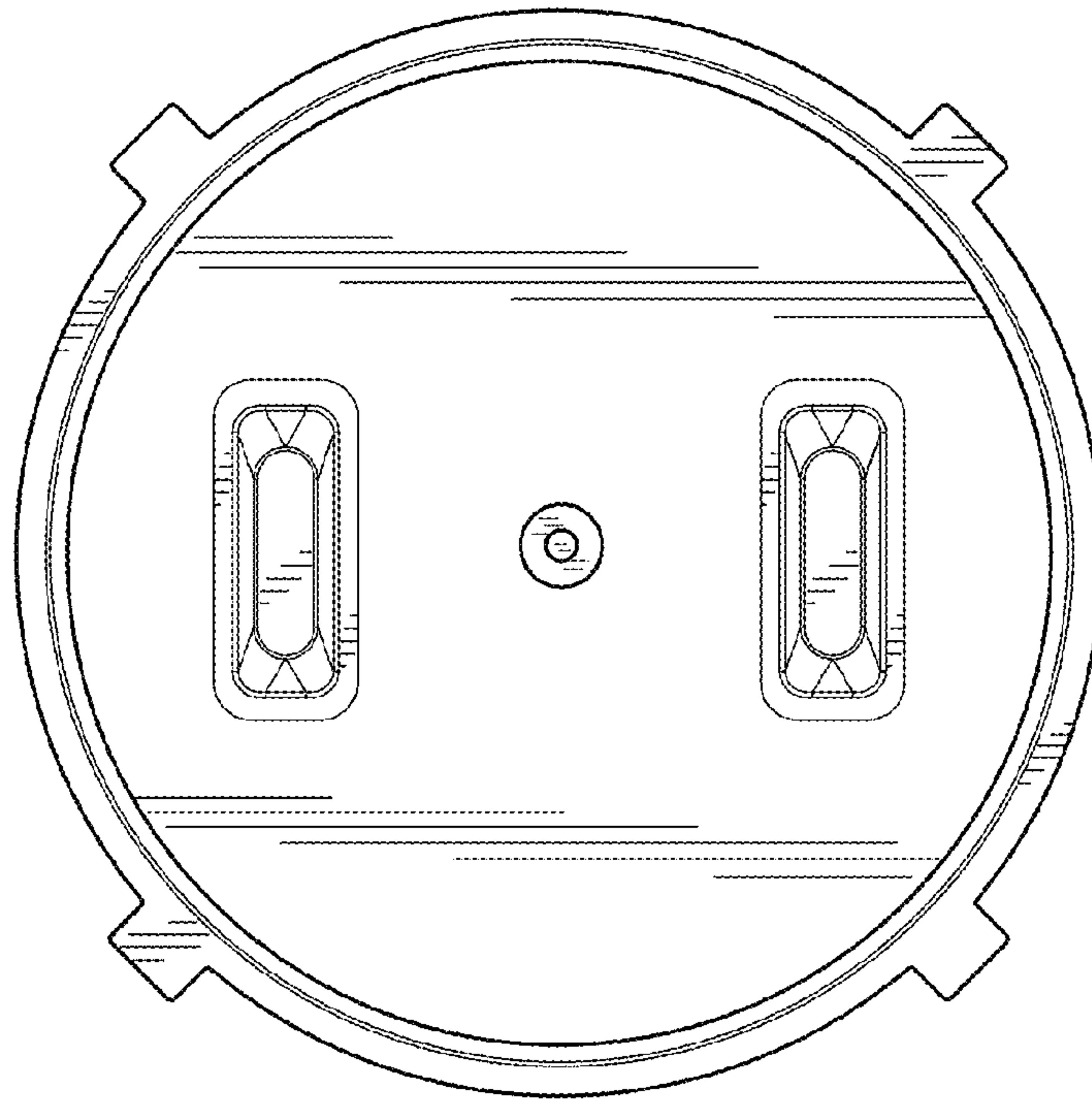
**FIG. 1**



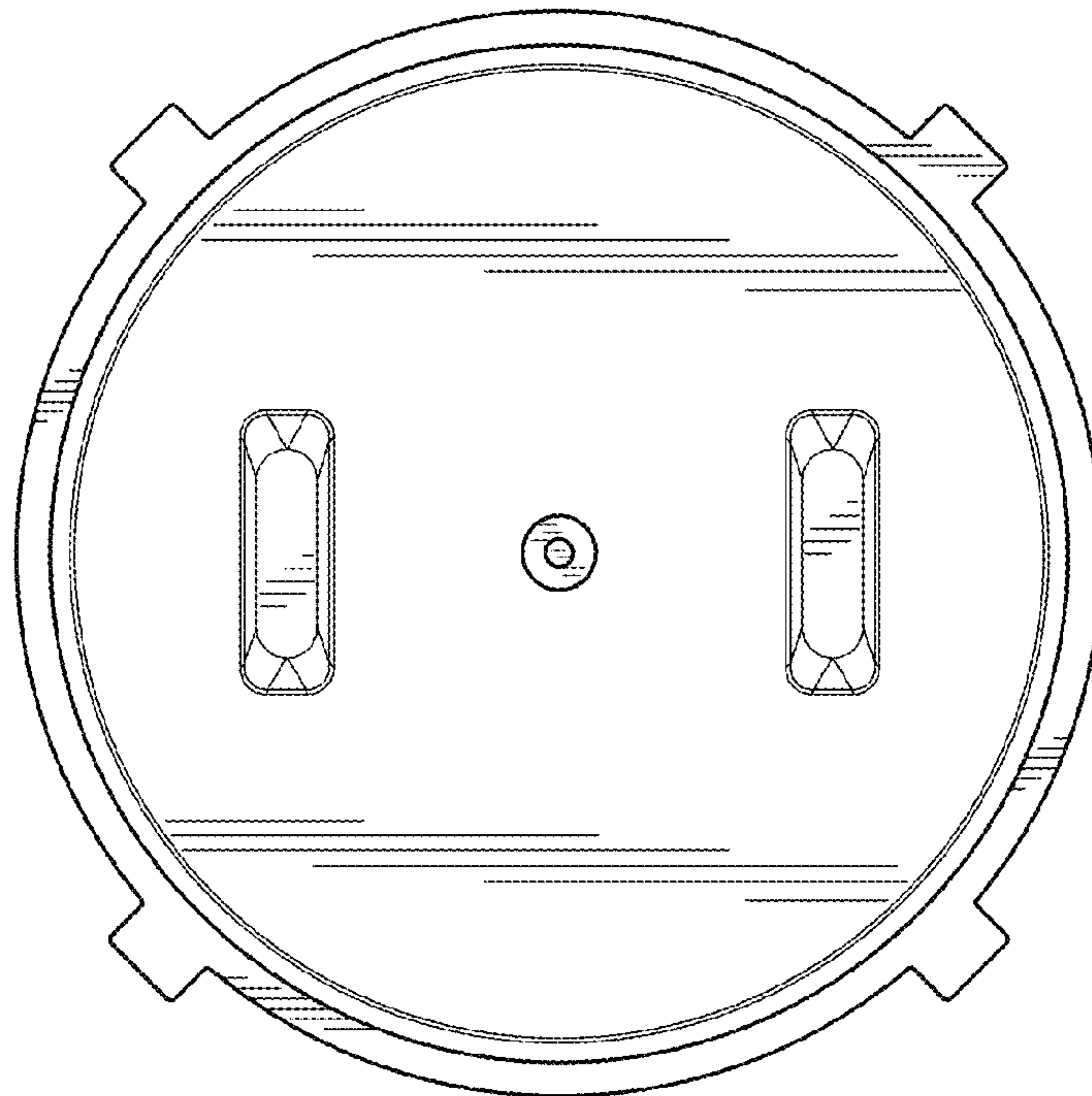
**FIG. 2**



**FIG. 3**

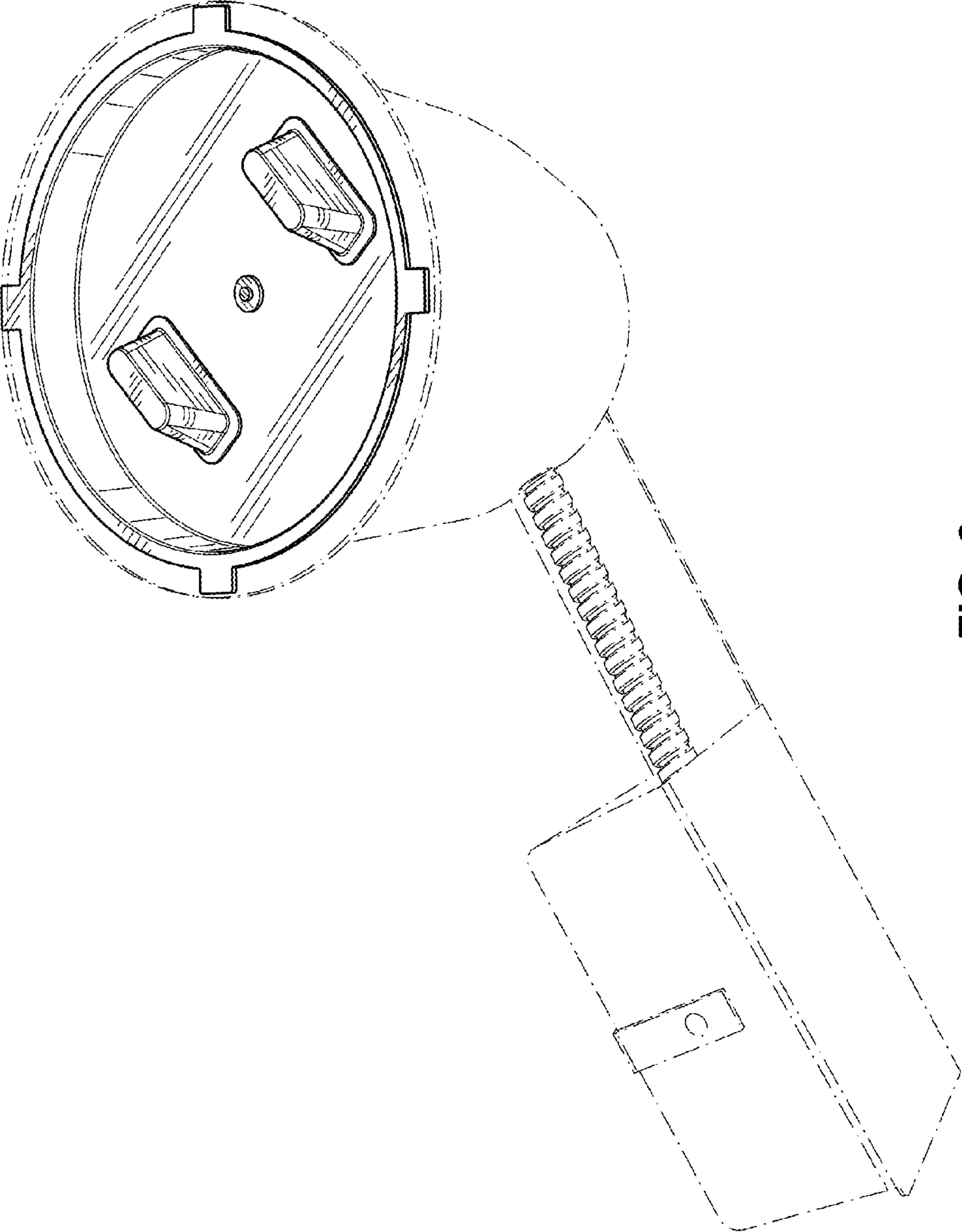


**FIG. 4**



**FIG. 5**





**FIG. 6**