



US00D741535S

(12) **United States Design Patent**
Wright

(10) **Patent No.:** **US D741,535 S**

(45) **Date of Patent:** **** Oct. 20, 2015**

- (54) **EDGELIT GARAGE LUMINAIRE**
- (71) Applicant: **Cooper Technologies Company**,
Houston, TX (US)
- (72) Inventor: **Timothy Wright**, Peachtree City, GA
(US)
- (73) Assignee: **Cooper Technologies Company**,
Houston, TX (US)

D232,050 S *	7/1974	Gore et al.	D26/88
D242,943 S *	1/1977	Lazerson	D26/88
D346,459 S *	4/1994	King	D26/84
D468,049 S *	12/2002	Ries et al.	D26/89
D556,939 S *	12/2007	Gajewski	D26/89
D584,442 S *	1/2009	Benensohn	D26/79
D588,301 S *	3/2009	Sabernig	D26/90
D602,192 S *	10/2009	Tunze	D26/88
D656,265 S *	3/2012	Sabernig	D26/88
D663,470 S *	7/2012	Ruiz	D26/88
D690,453 S *	9/2013	Guercio et al.	D26/88
D695,945 S *	12/2013	Wright	D26/89

(**) Term: **14 Years**

* cited by examiner

(21) Appl. No.: **29/507,334**

Primary Examiner — Clare E Heflin

(22) Filed: **Oct. 27, 2014**

(74) *Attorney, Agent, or Firm* — King & Spalding LLP

Related U.S. Application Data

- (63) Continuation of application No. 29/472,151, filed on Nov. 8, 2013, now Pat. No. Des. 718,485, which is a continuation of application No. 29/452,828, filed on Apr. 22, 2013, now Pat. No. Des. 695,945.

(51) **LOC (10) Cl.** **26-03**

(52) **U.S. Cl.**
USPC **D26/89**; D26/88

(58) **Field of Classification Search**
USPC D26/28, 72, 74, 80, 84, 88, 89, 118,
D26/128; 362/147, 488-493, 363, 453-456,
362/605, 608, 632
See application file for complete search history.

(56) **References Cited**

U.S. PATENT DOCUMENTS

D106,281 S *	10/1937	Browne	D26/74
D168,738 S *	2/1953	Friedman	D23/334

(57) **CLAIM**

The ornamental design for an edgelit garage luminaire, as shown and described.

DESCRIPTION

FIG. 1 is a top perspective view of an edgelit garage luminaire, showing my new design;
 FIG. 2 is a bottom perspective view thereof;
 FIG. 3 is a bottom plan view thereof;
 FIG. 4 is a top plan view thereof;
 FIG. 5 is a left-side elevation view thereof;
 FIG. 6 is a rear elevation view thereof;
 FIG. 7 is a front elevation view thereof; and,
 FIG. 8 is a right-side elevation view thereof.
 The broken lines shown represent unclaimed subject matter and form no part of the claimed design.

1 Claim, 5 Drawing Sheets

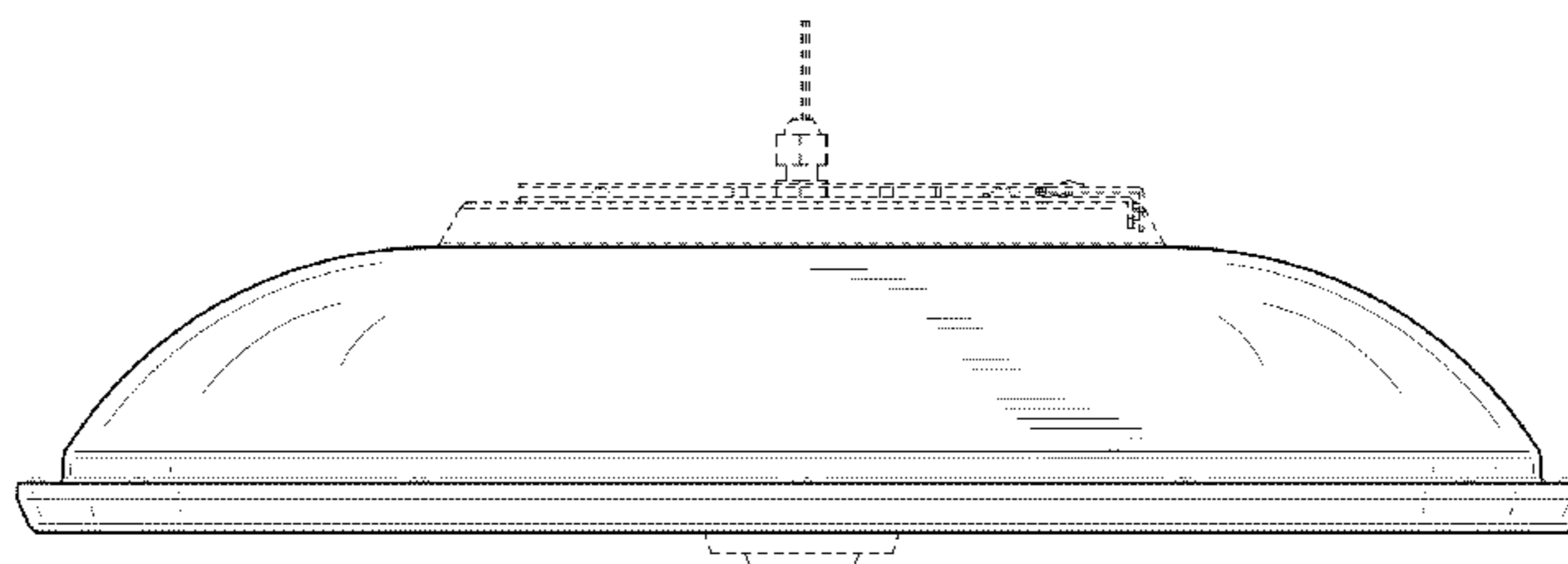
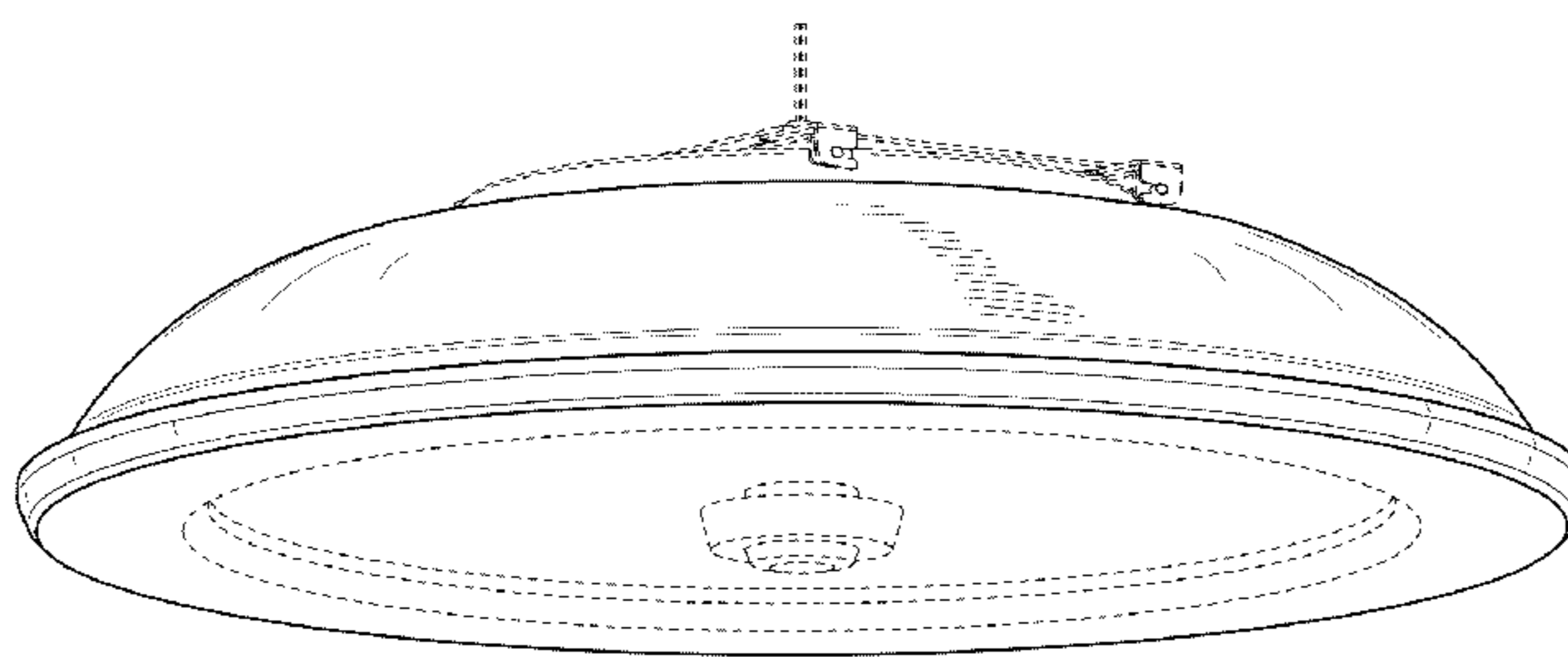


FIG. 1

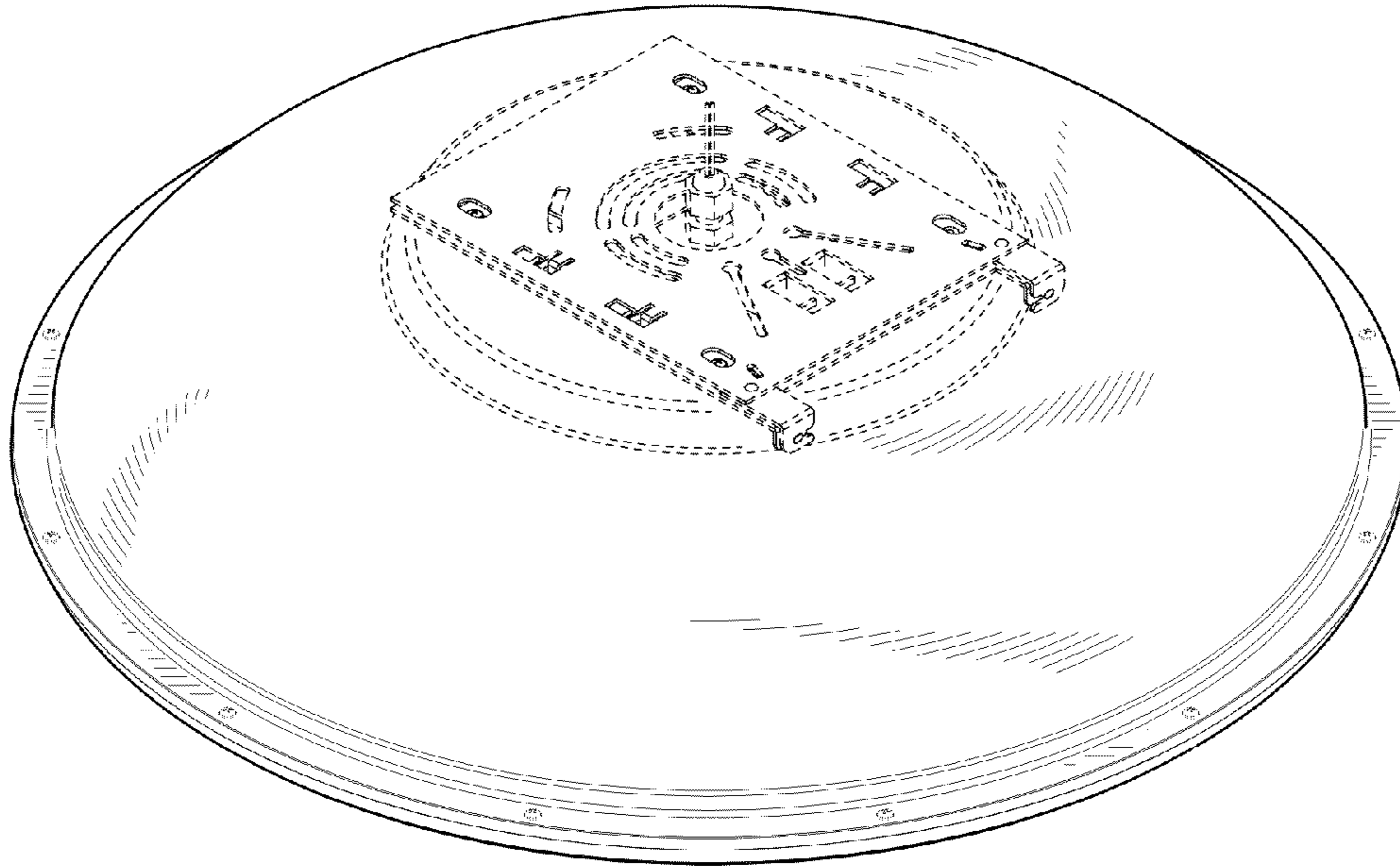


FIG. 2

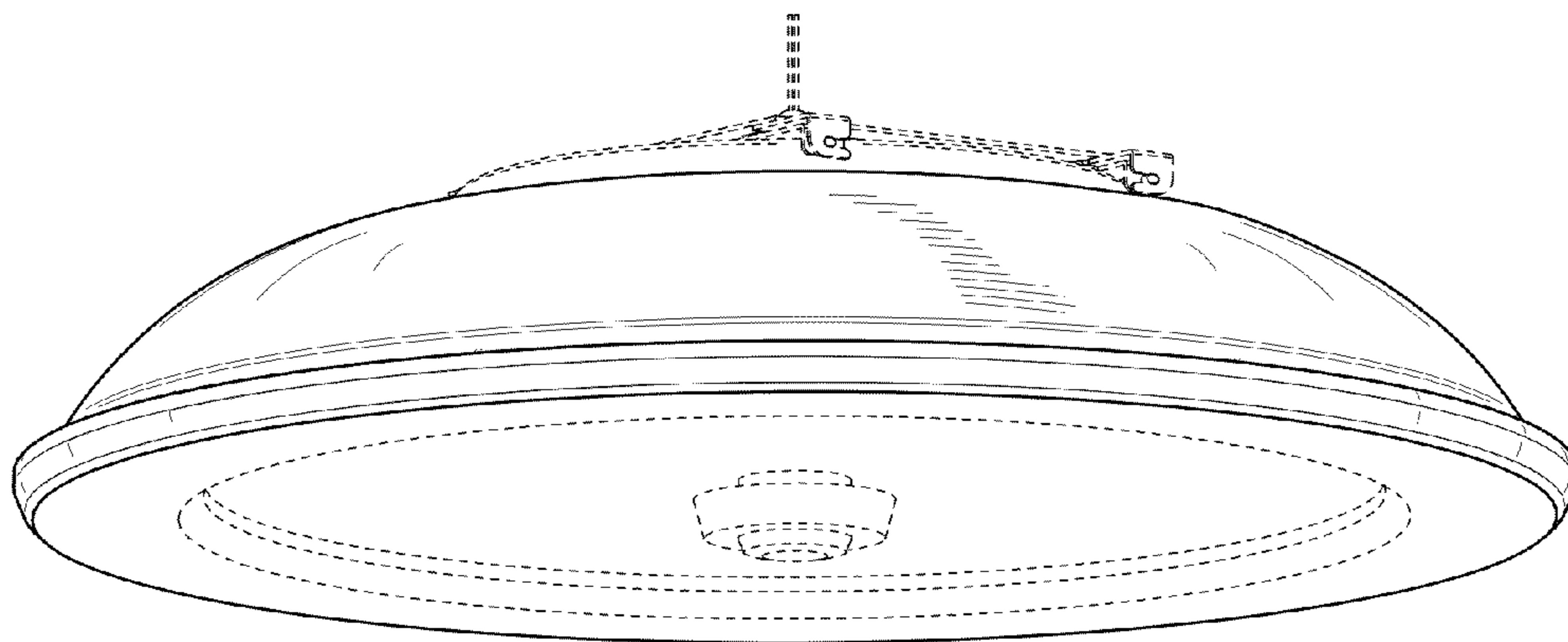


FIG. 3

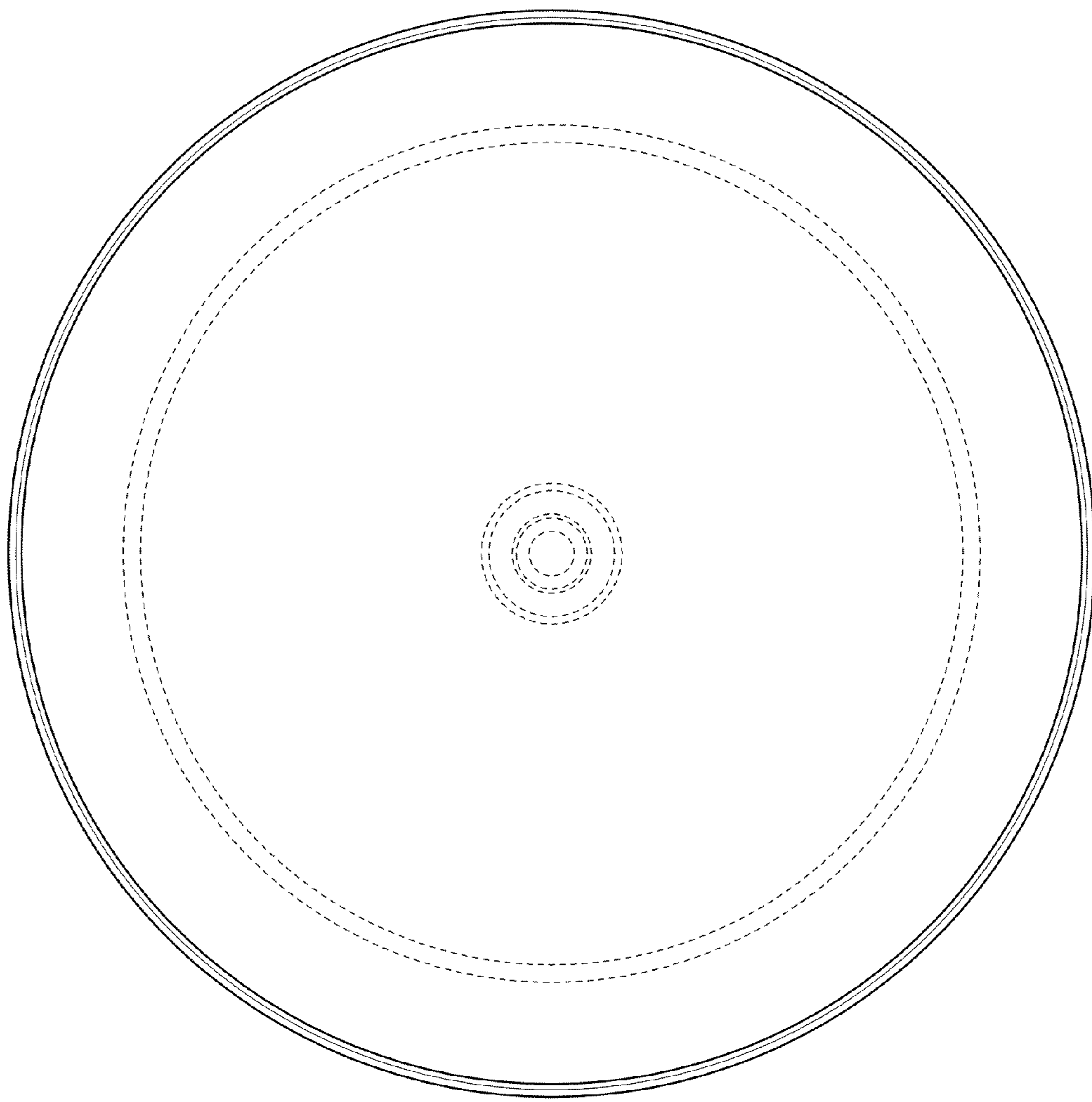


FIG. 4

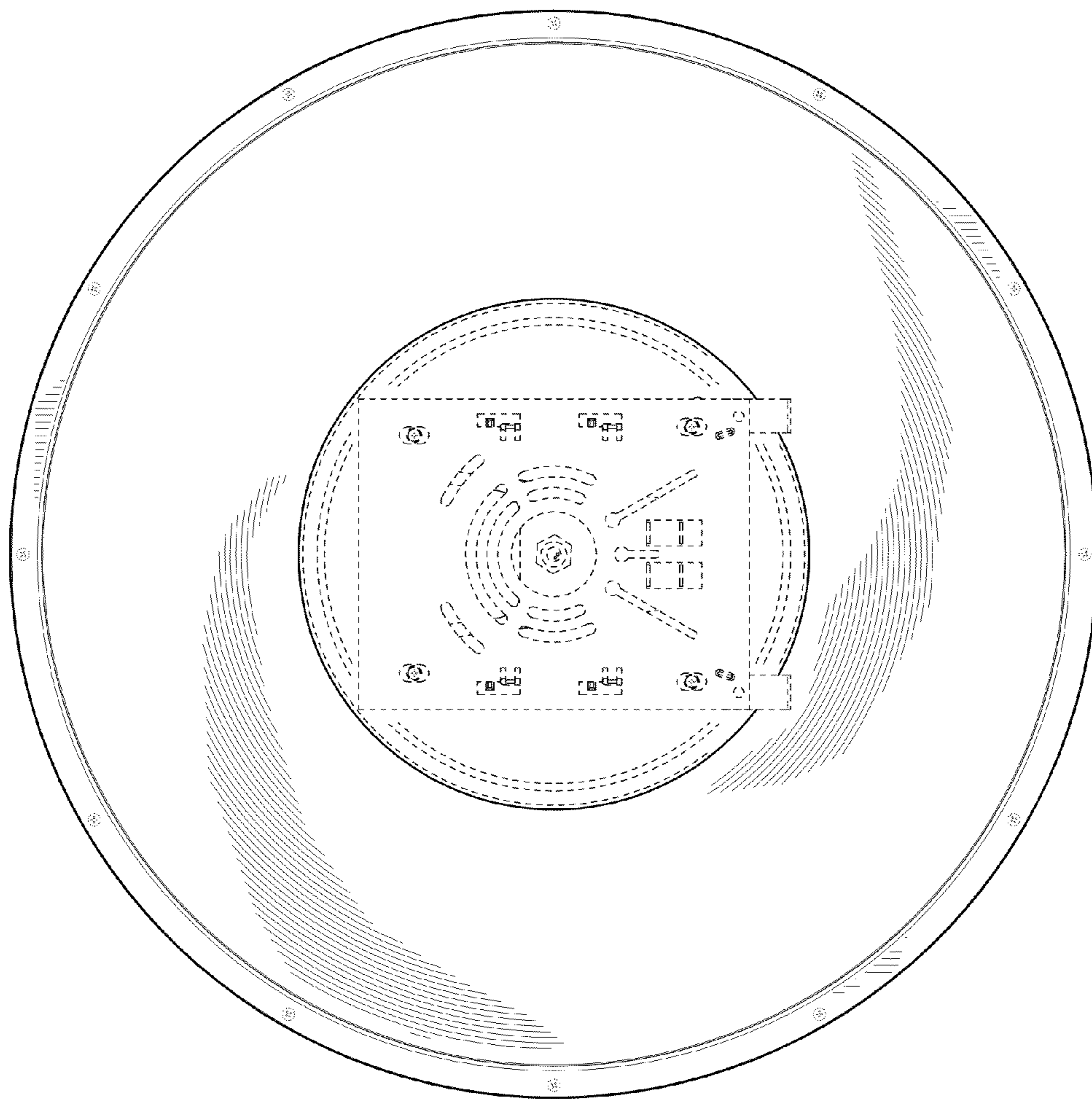


FIG. 5

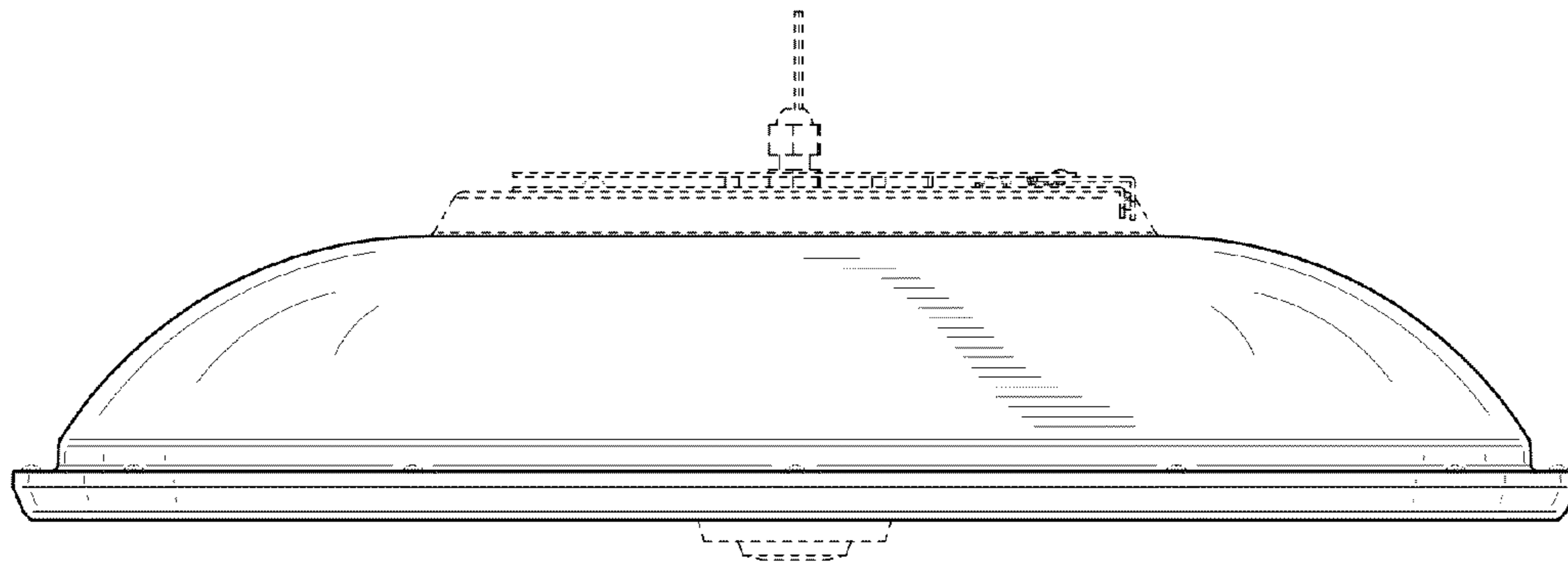


FIG. 6

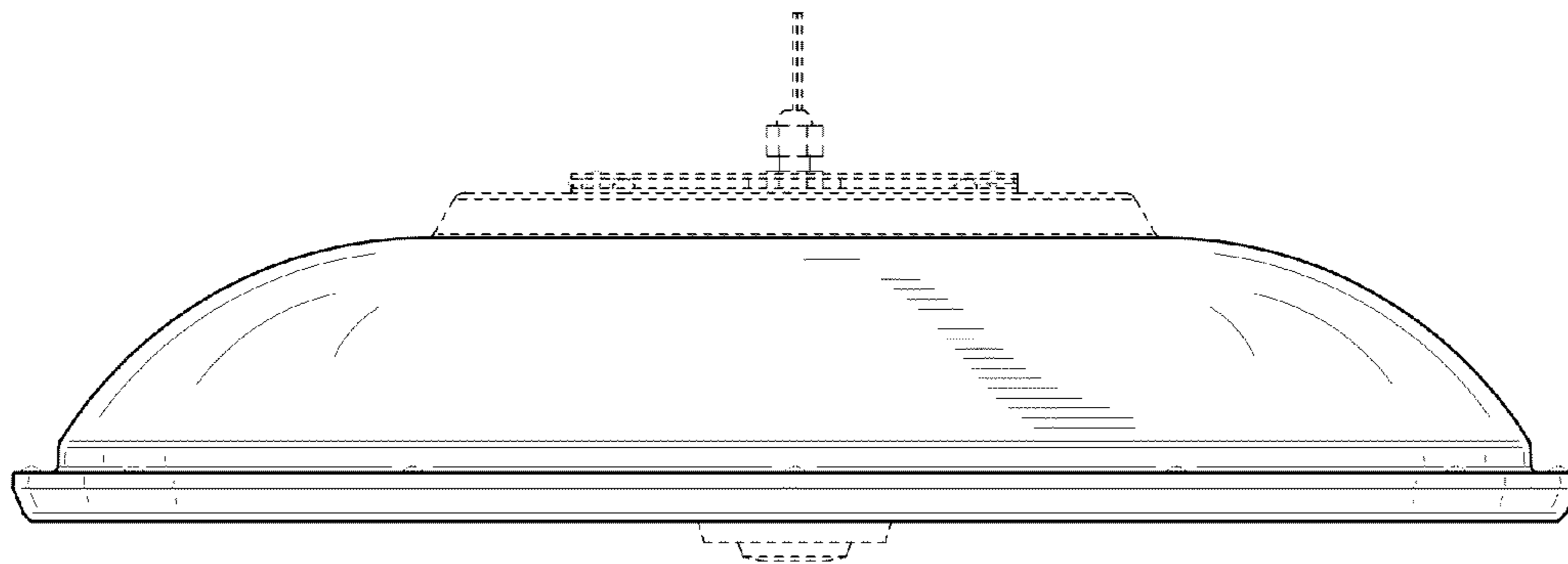


FIG. 7

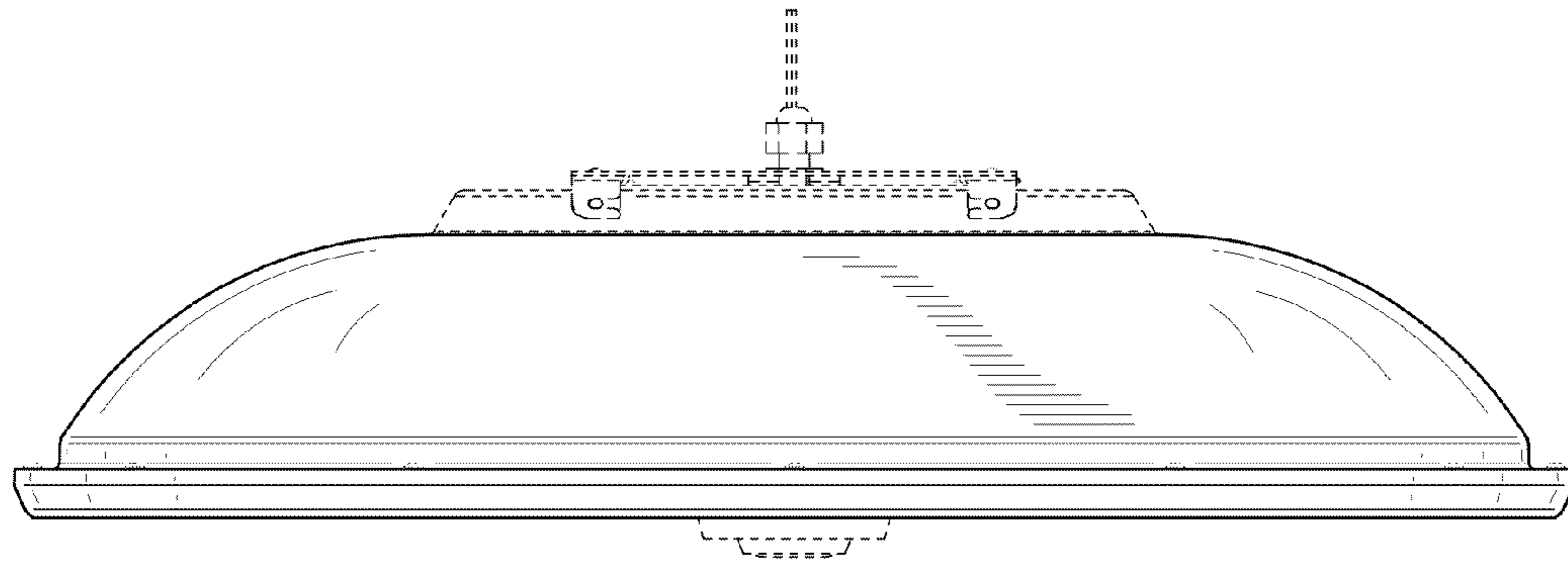


FIG. 8

