



US00D741534S

(12) **United States Design Patent**
Derby

(10) **Patent No.:** **US D741,534 S**

(45) **Date of Patent:** **** Oct. 20, 2015**

(54) **NOVELTY SCONCE**

(71) Applicant: **LAMRITE WEST INC.**, Strongsville, OH (US)

(72) Inventor: **Julie Derby**, Medina, OH (US)

(73) Assignee: **Lamrite West, Inc.**, Strongsville, OH (US)

(**) Term: **14 Years**

(21) Appl. No.: **29/484,595**

(22) Filed: **Mar. 11, 2014**

(51) **LOC (10) Cl.** **26-03**

(52) **U.S. Cl.**
USPC **D26/85**

(58) **Field of Classification Search**
USPC D26/67, 80, 83, 85, 86, 87, 118, 120,
D26/122, 128, 129, 137, 143; 362/147, 362,
362/431, 432, 367, 404-408
See application file for complete search history.

(56) **References Cited**

U.S. PATENT DOCUMENTS

D154,338 S *	6/1949	Smith	D26/85
D158,917 S *	6/1950	Wince	D26/85
D166,370 S	4/1952	Wilson		
D315,421 S *	3/1991	Goldschmidt	D26/85
D339,203 S *	9/1993	Namenye et al.	D26/85
D413,000 S *	8/1999	Littman	D26/85
D430,326 S *	8/2000	Littman	D26/85
D452,031 S	12/2001	Brunner et al.		
D486,600 S *	2/2004	Coe	D26/85
D544,131 S *	6/2007	Blackman	D26/85
D579,599 S *	10/2008	Salatto-Rose	D26/85
D589,201 S *	3/2009	Sabernig	D26/85
D589,639 S *	3/2009	Silver	D26/85

D601,746 S *	10/2009	Sabernig	D26/120
D634,059 S	3/2011	Sabernig		
D643,571 S	8/2011	Chen		
D646,425 S *	10/2011	Crosby	D26/85
D652,982 S	1/2012	Chen		
D677,823 S *	3/2013	Haverfield	D26/85
D697,656 S *	1/2014	Sabernig	D26/85
D698,072 S *	1/2014	Messisaen	D26/85
D720,876 S	1/2015	Haverfield		

* cited by examiner

Primary Examiner — Clare E Heflin

(74) *Attorney, Agent, or Firm* — Greenberg Traurig, LLP

(57) **CLAIM**

What is claimed is the ornamental design for a novelty sconce, as shown and described.

DESCRIPTION

FIG. 1 is a perspective view of a novelty sconce showing the new design;

FIG. 2 is a perspective view of the sconce in FIG. 1 with an example ornamental surface pattern, the illustrated ornamental surface pattern being an unclaimed environment and only one of many possible ornamental surfaces that can be added to the claimed sconce;

FIG. 3 is a front elevational view of the sconce of FIG. 1;

FIG. 4 is a rear elevational view of the sconce of FIG. 1;

FIG. 5 is a left side elevational view of the sconce of FIG. 1;

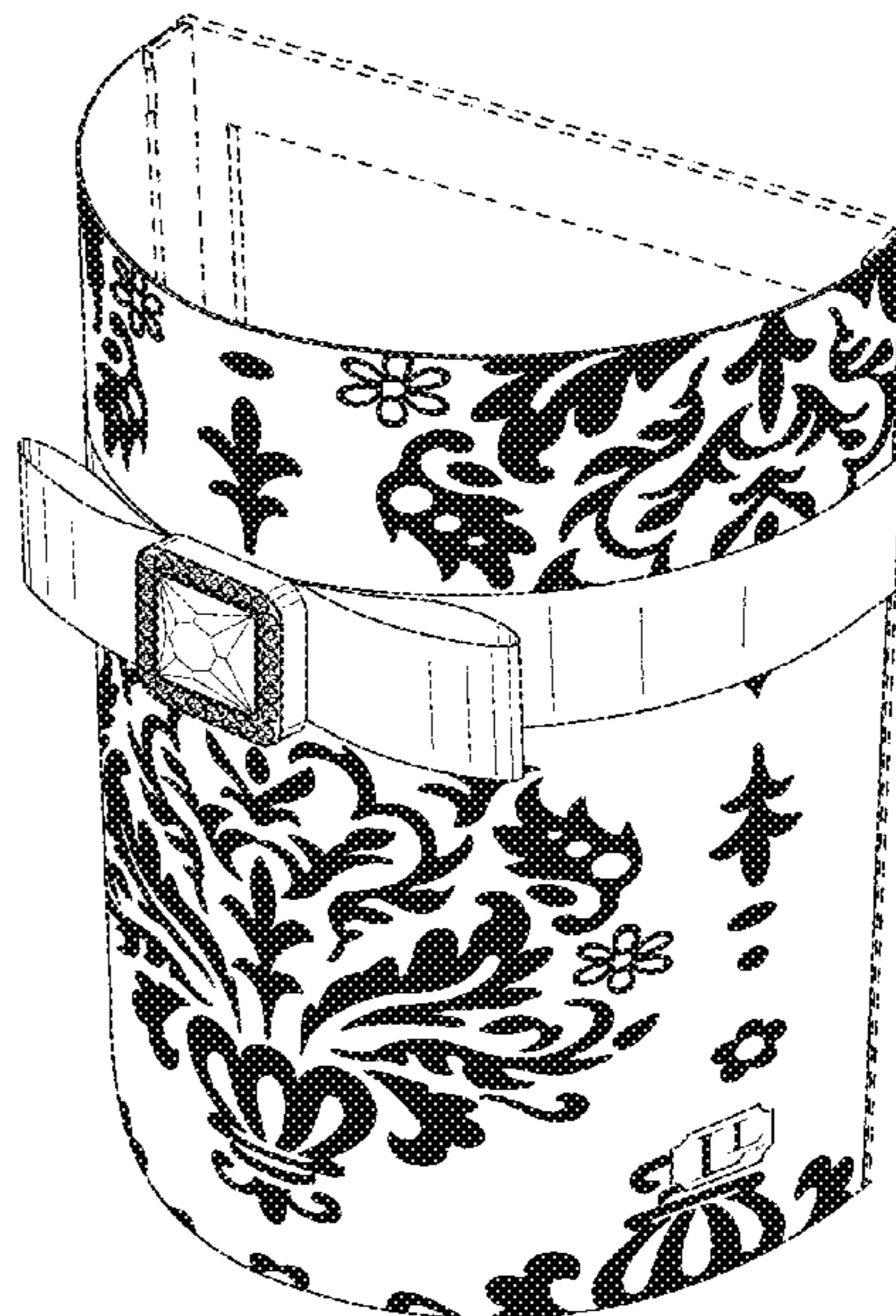
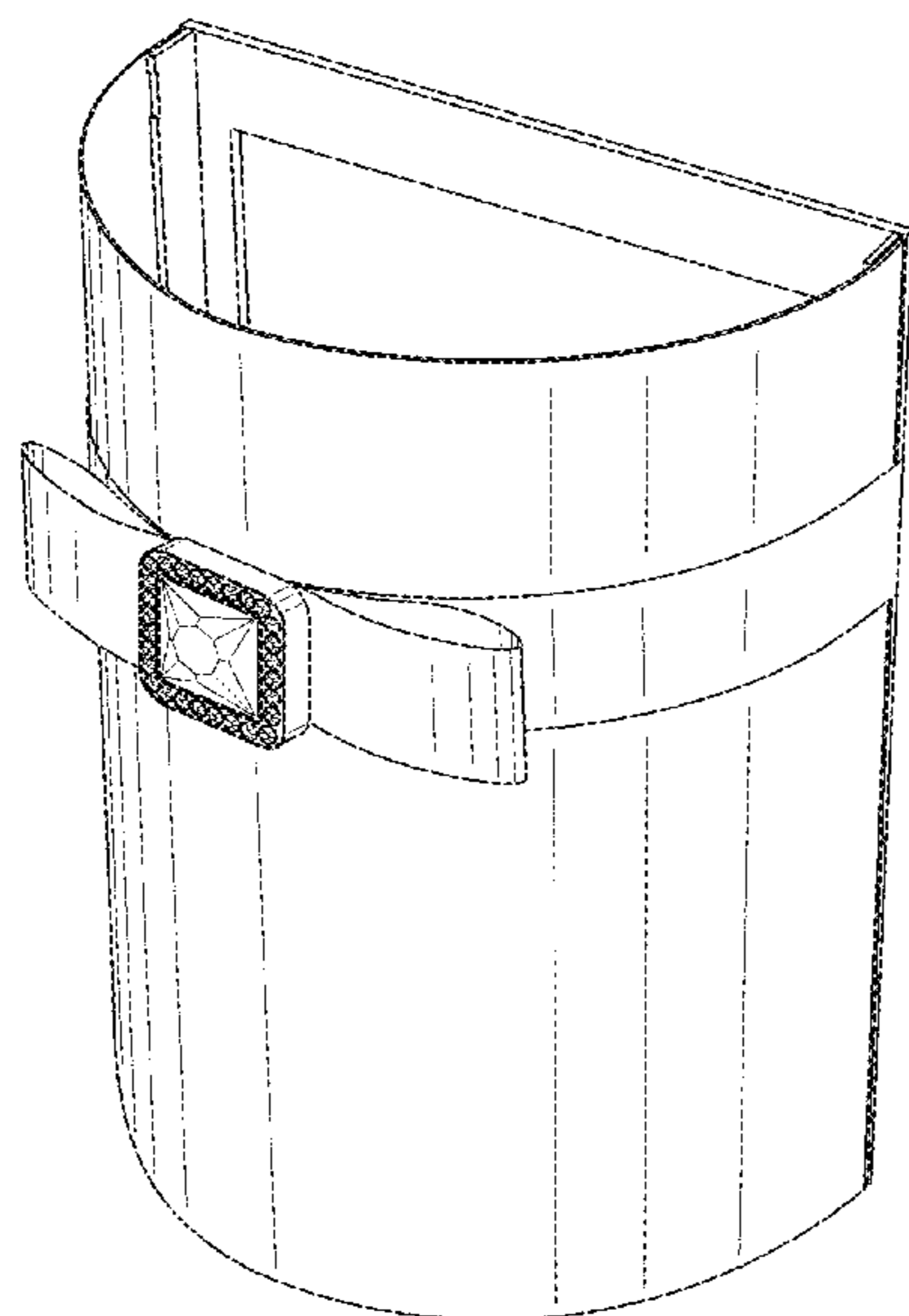
FIG. 6 is a right side elevational view of the sconce of FIG. 1;

FIG. 7 is a top plan view of the sconce of FIG. 1; and,

FIG. 8 is a bottom plan view of the sconce of FIG. 1.

Any elements shown in dotted and/or dashed lines are provided for illustrative purposes only and form no part of the design claimed. Any surface shading is used solely to show the character or contour of the surfaces represented.

1 Claim, 8 Drawing Sheets



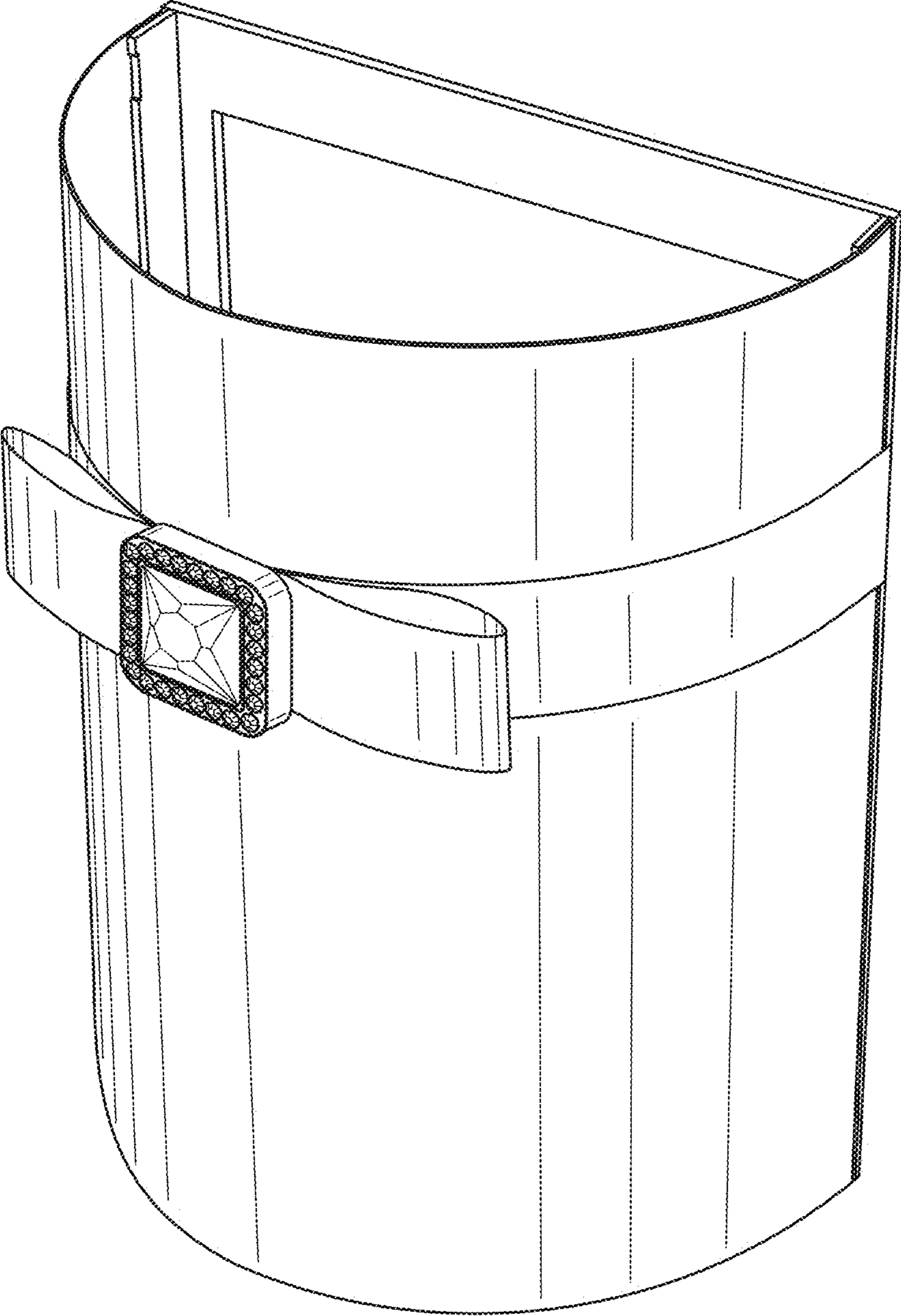


FIG. 1



FIG. 2

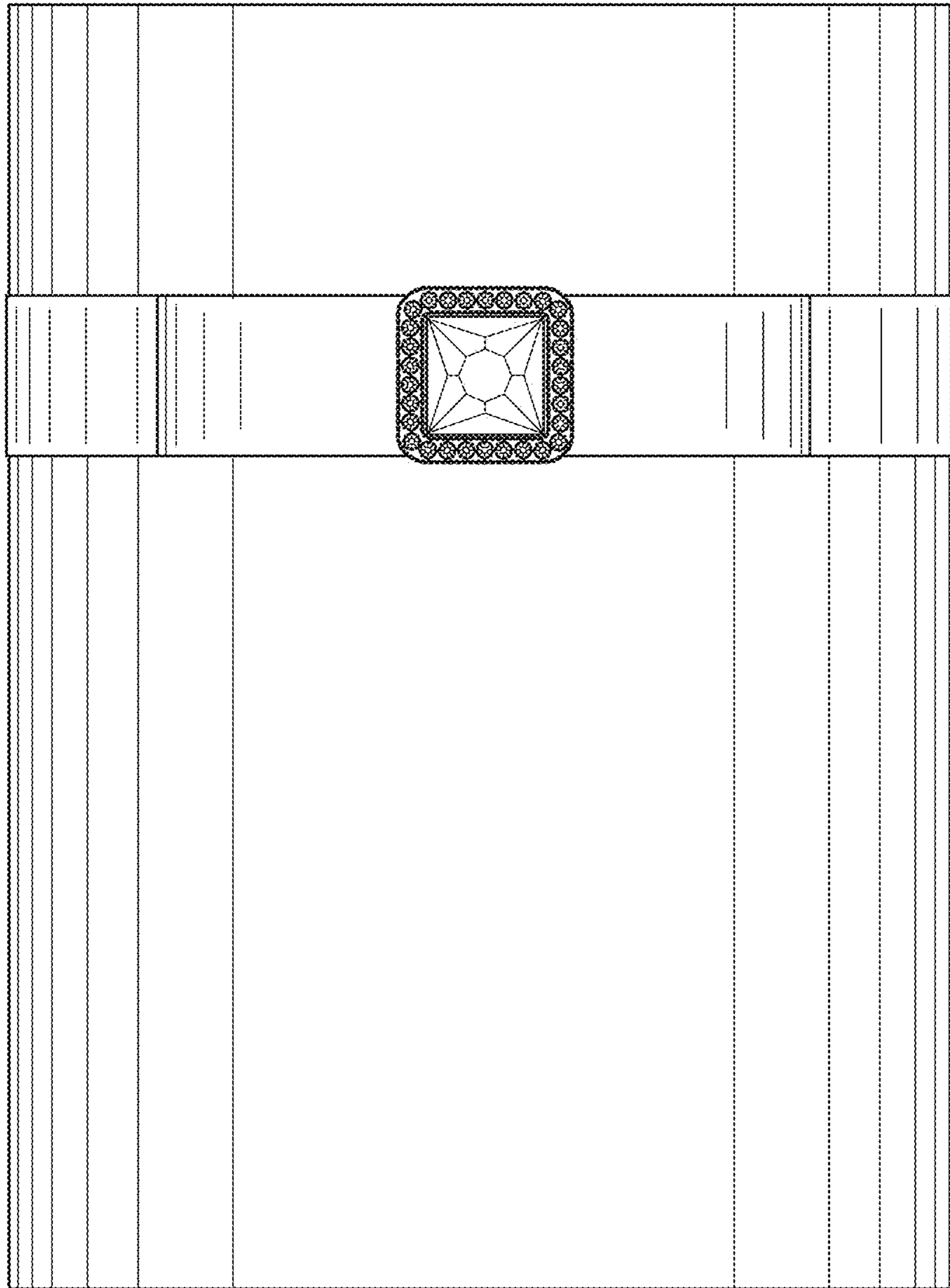


FIG. 3

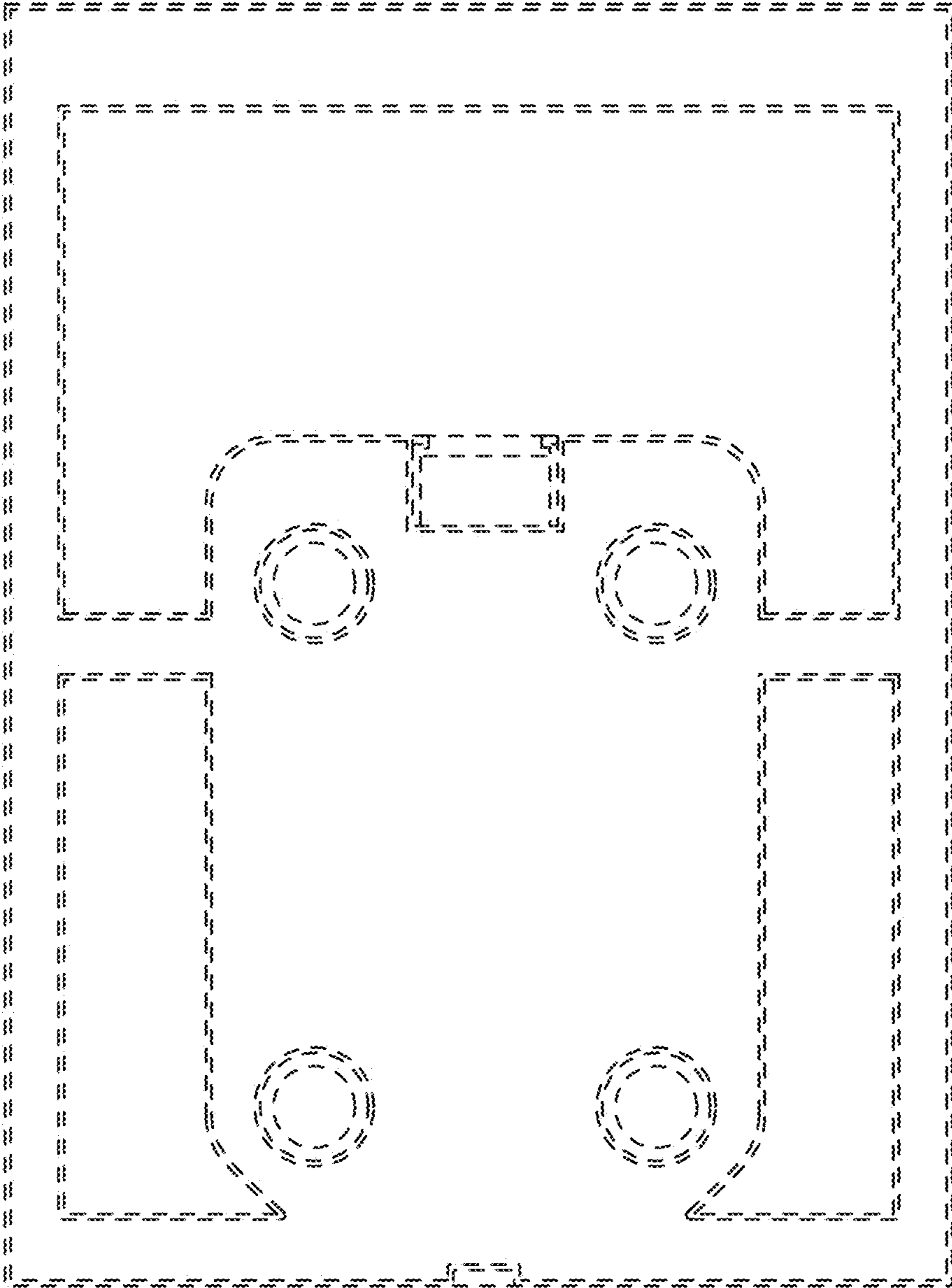


FIG. 4

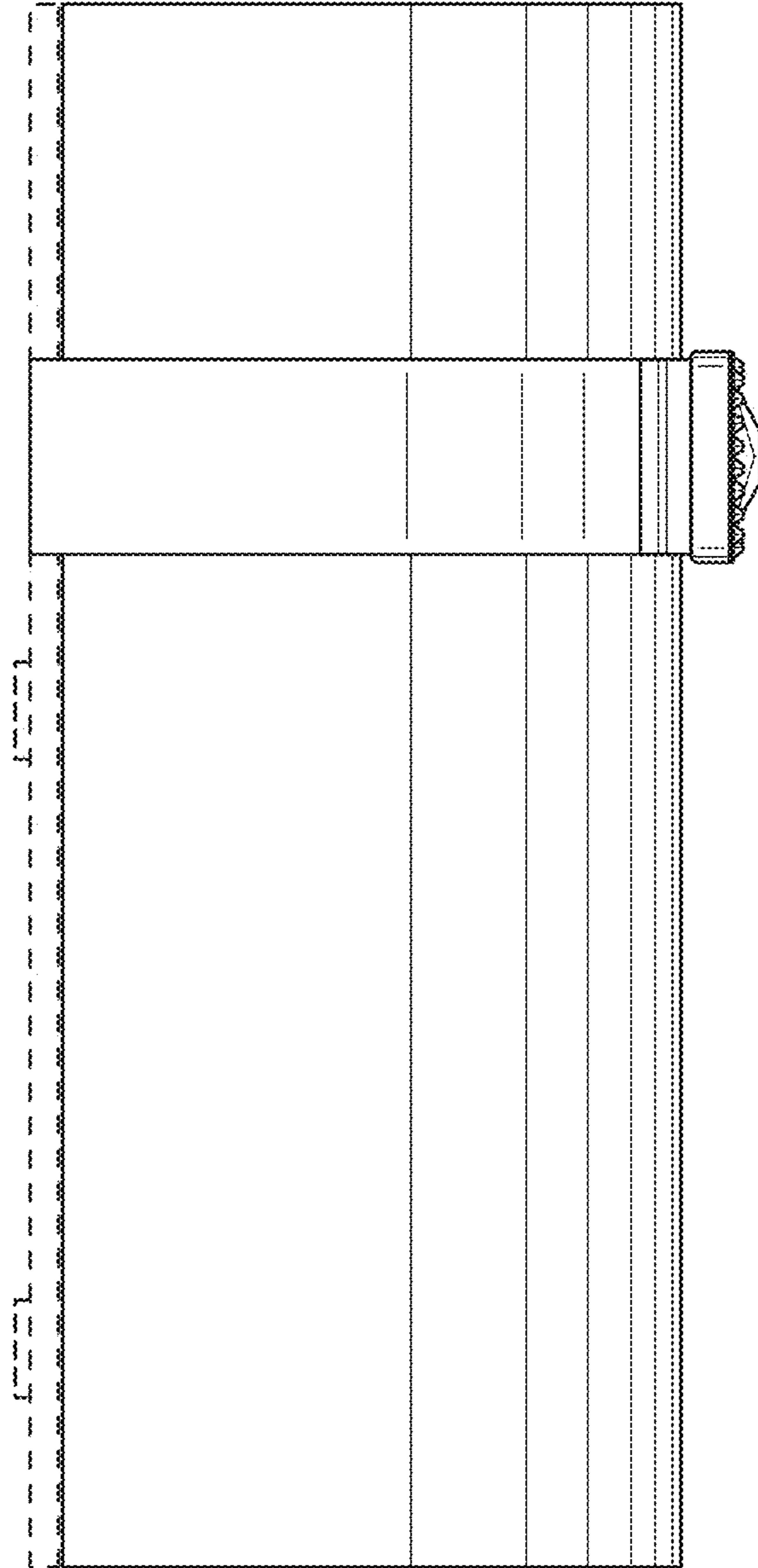


FIG. 5

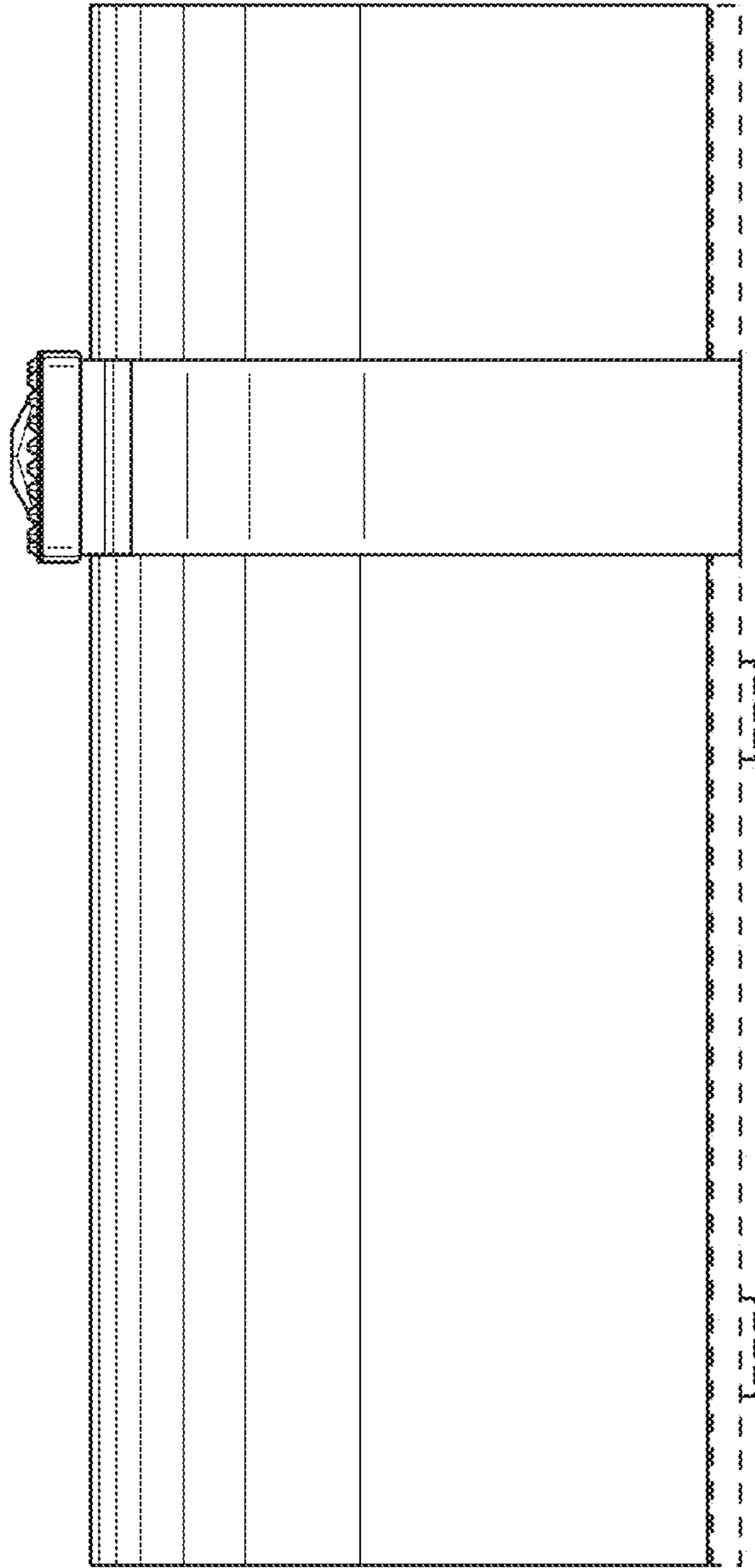


FIG. 6

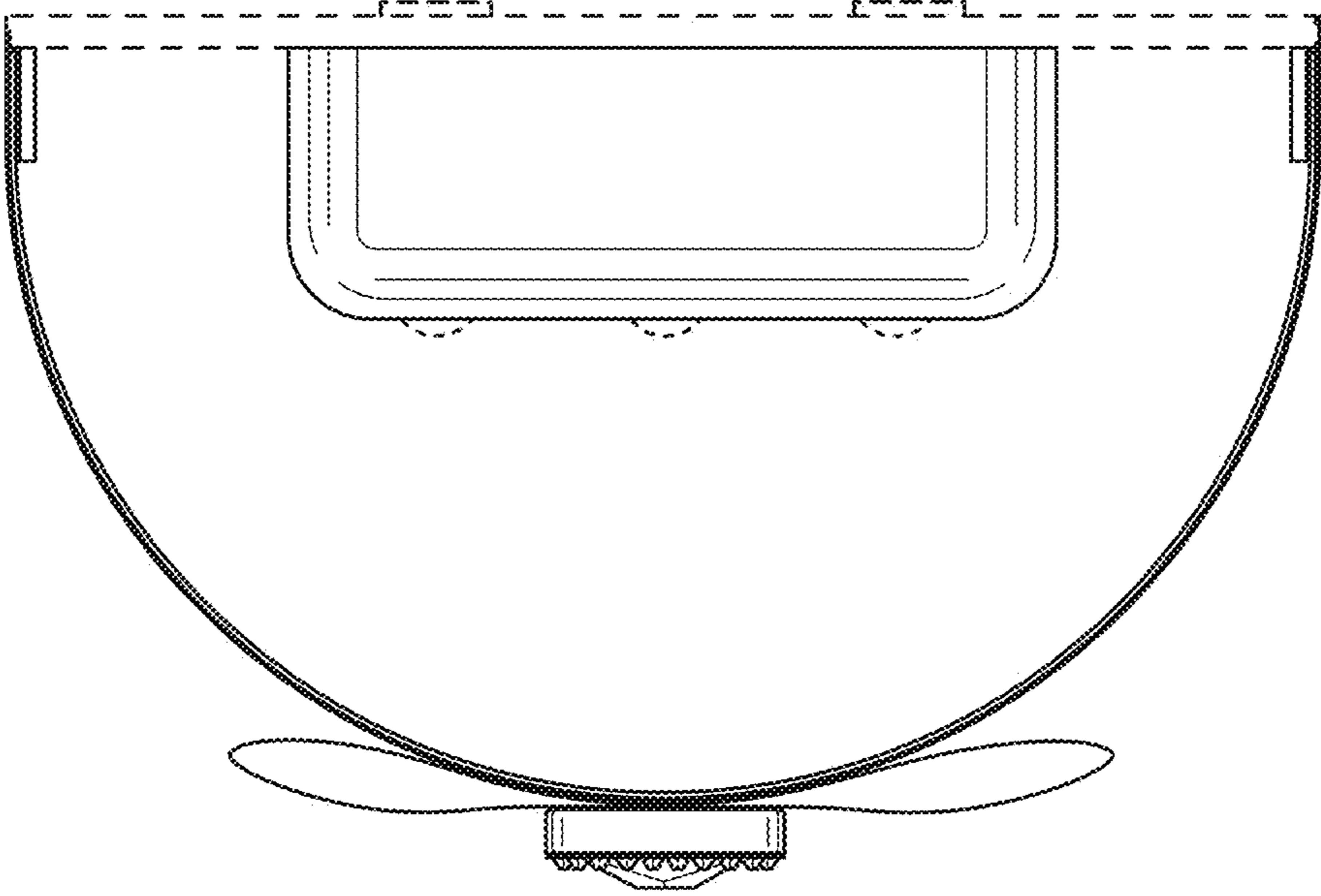


FIG. 7

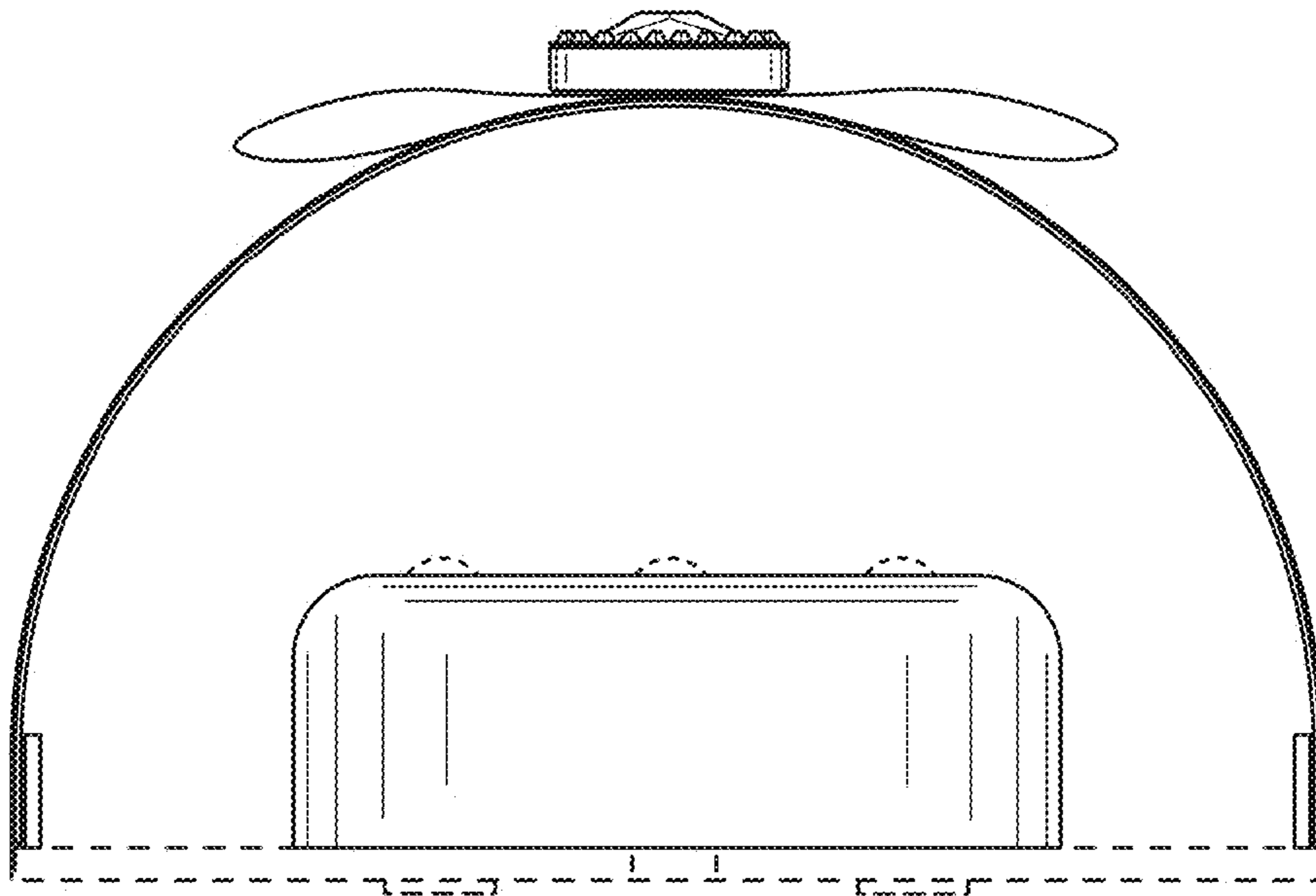


FIG. 8

UNITED STATES PATENT AND TRADEMARK OFFICE
CERTIFICATE OF CORRECTION

PATENT NO. : D741,534 S
APPLICATION NO. : 29/484595
DATED : October 20, 2015
INVENTOR(S) : Julie Derby et al.

Page 1 of 3

It is certified that error appears in the above-identified patent and that said Letters Patent is hereby corrected as shown below:

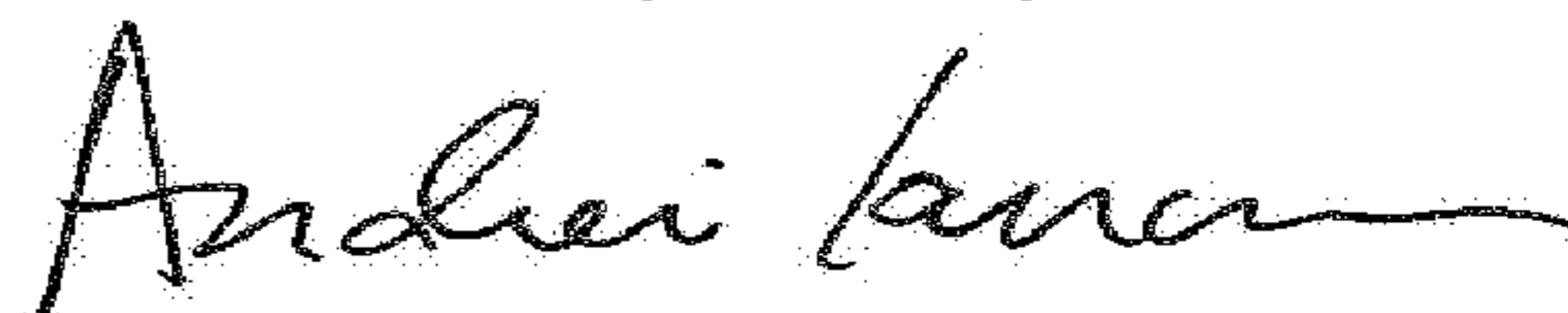
On the Title Page

Please delete Title page and insert the attached Title page.

In the Drawings

Replace FIG. 2 with the attached Replacement Sheet FIG. 2.

Signed and Sealed this
First Day of May, 2018



Andrei Iancu
Director of the United States Patent and Trademark Office

(12) **United States Design Patent**
Derby

(10) **Patent No.:** **US D741,534 S**

(45) **Date of Patent:** **** Oct. 20, 2015**

(54) **NOVELTY SCONCE**

(71) Applicant: **LAMRITE WEST INC.**, Strongsville, OH (US)

(72) Inventor: **Julie Derby**, Medina, OH (US)

(73) Assignee: **Lamrite West, Inc.**, Strongsville, OH (US)

(**) Term: **14 Years**

(21) Appl. No.: **29/484,595**

(22) Filed: **Mar. 11, 2014**

(51) **LOC (10) CL.** **26-03**

(52) **U.S. CL.**
 USPC **D26/85**

(58) **Field of Classification Search**
 USPC D26/67, 80, 83, 85, 86, 87, 118, 120, D26/122, 128, 129, 137, 143; 362/147, 362, 362/431, 432, 367, 404-408
 See application file for complete search history.

(56) **References Cited**

U.S. PATENT DOCUMENTS

D154,338 S *	6/1949	Smith	D26/85
D158,917 S *	6/1950	Wince	D26/85
D166,370 S	4/1952	Wilson	
D315,421 S *	3/1991	Goldschmidt	D26/85
D339,203 S *	9/1993	Namenye et al.	D26/85
D413,000 S *	8/1999	Littman	D26/85
D430,326 S *	8/2000	Littman	D26/85
D452,031 S	12/2001	Brunner et al.	
D486,600 S *	2/2004	Coe	D26/85
D544,131 S *	6/2007	Blackman	D26/85
D579,599 S *	10/2008	Salatto-Rose	D26/85
D589,201 S *	3/2009	Sabernig	D26/85
D589,639 S *	3/2009	Silver	D26/85

D601,746 S *	10/2009	Sabernig	D26/120
D634,059 S	3/2011	Sabernig	
D643,571 S	8/2011	Chen	
D646,425 S *	10/2011	Crosby	D26/85
D652,982 S	1/2012	Chen	
D677,823 S *	3/2013	Haverfield	D26/85
D697,656 S *	1/2014	Sabernig	D26/85
D698,072 S *	1/2014	Messisaen	D26/85
D720,876 S	1/2015	Haverfield	

* cited by examiner

Primary Examiner — Clare E Hellin

(74) Attorney, Agent, or Firm — Greenberg Traurig, LLP

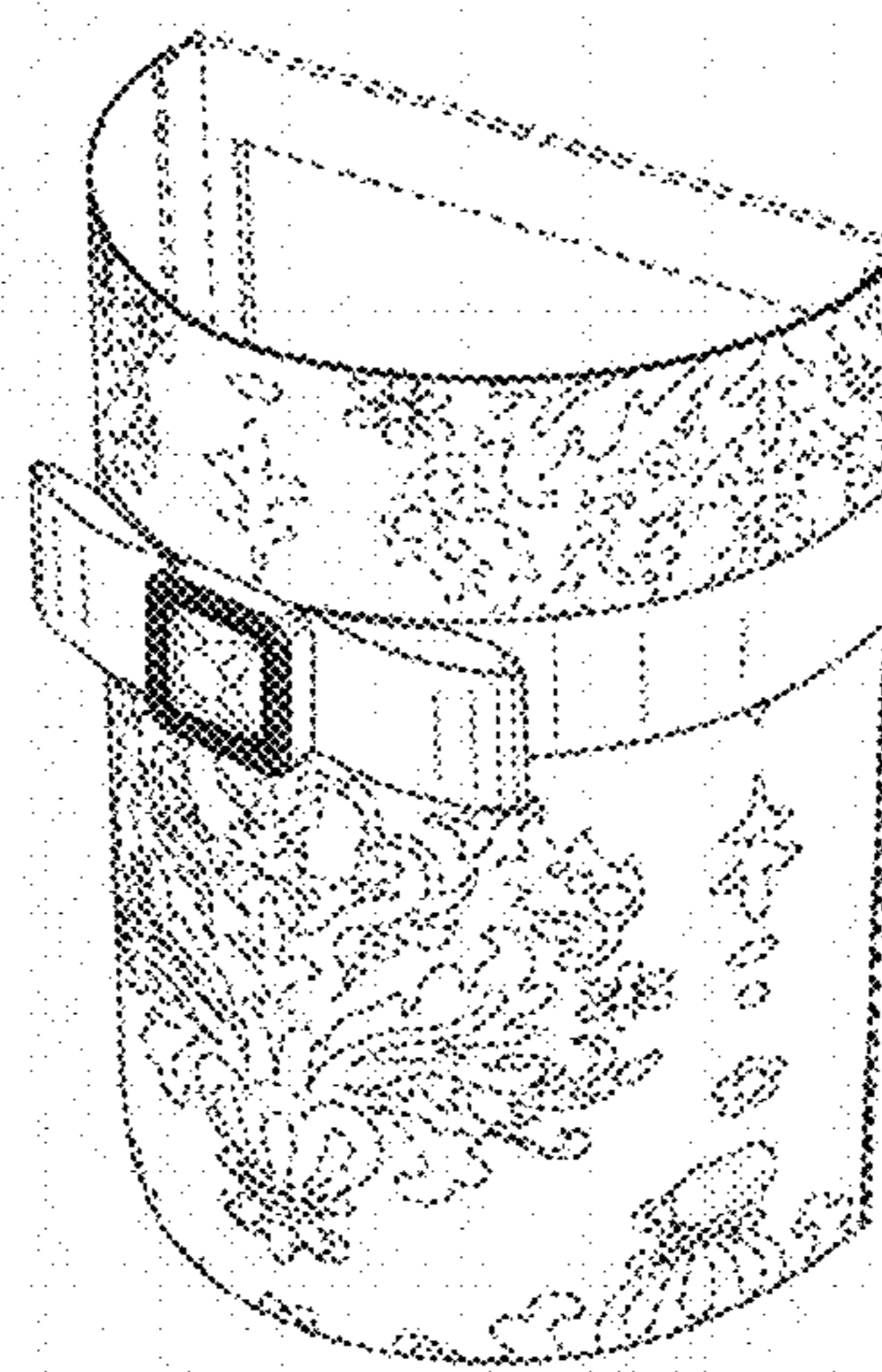
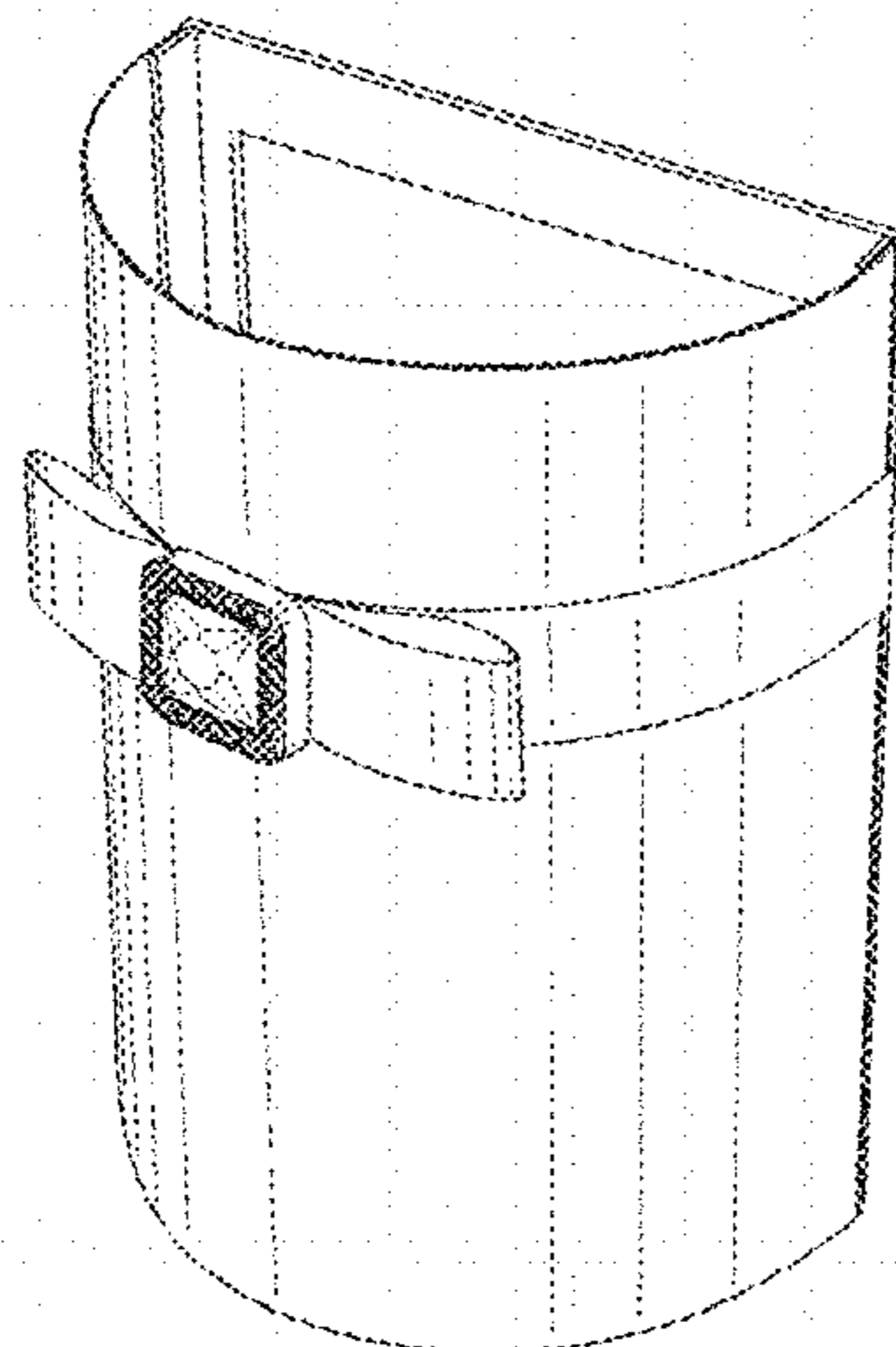
(57) **CLAIM**

What is claimed is the ornamental design for a novelty sconce, as shown and described.

DESCRIPTION

FIG. 1 is a perspective view of a novelty sconce showing the new design;
 FIG. 2 is a perspective view of the sconce in FIG. 1 with an example ornamental surface pattern, the illustrated ornamental surface pattern being an unclaimed environment and only one of many possible ornamental surfaces that can be added to the claimed sconce;
 FIG. 3 is a front elevational view of the sconce of FIG. 1;
 FIG. 4 is a rear elevational view of the sconce of FIG. 1;
 FIG. 5 is a left side elevational view of the sconce of FIG. 1;
 FIG. 6 is a right side elevational view of the sconce of FIG. 1;
 FIG. 7 is a top plan view of the sconce of FIG. 1; and,
 FIG. 8 is a bottom plan view of the sconce of FIG. 1.
 Any elements shown in dotted and/or dashed lines are provided for illustrative purposes only and form no part of the design claimed. Any surface shading is used solely to show the character or contour of the surfaces represented.

1 Claim, 8 Drawing Sheets



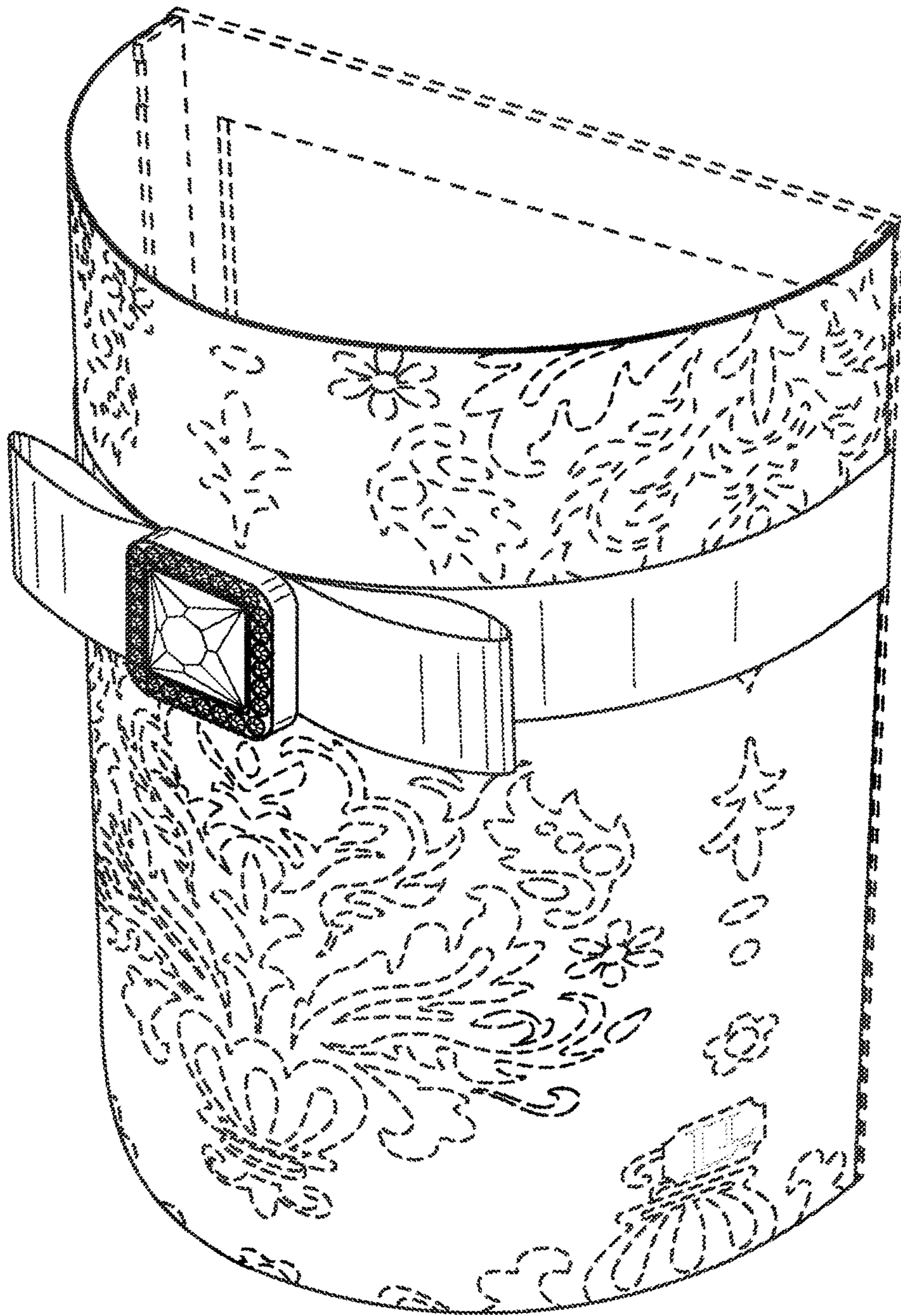


FIG. 2