



US00D741533S

(12) **United States Design Patent**
Yeh

(10) **Patent No.:** **US D741,533 S**
(45) **Date of Patent:** **** Oct. 20, 2015**

(54) **LIGHT FIXTURE WITH A BALLAST ENCLOSURE**

(71) Applicant: **John Yeh**, Chino Hills, CA (US)

(72) Inventor: **John Yeh**, Chino Hills, CA (US)

(**) Term: **14 Years**

(21) Appl. No.: **29/488,489**

(22) Filed: **Apr. 18, 2014**

(51) **LOC (10) Cl.** **26-05**

(52) **U.S. Cl.**
USPC **D26/72; D26/88**

(58) **Field of Classification Search**
USPC D26/24, 26, 59, 72, 85, 88, 89, 118,
D26/128, 130, 134-136
CPC F21S 8/04; F21S 8/06; F21S 8/061;
F21S 8/063; F21S 8/068; F21V 15/01; F21V
29/70; F21V 29/02; F21V 29/76
See application file for complete search history.

(56) **References Cited**

U.S. PATENT DOCUMENTS

3,986,019	A *	10/1976	deVos et al.	362/367
4,403,277	A *	9/1983	Eargle et al.	362/263
D302,737	S *	8/1989	Hoke et al.	D26/88
5,136,490	A *	8/1992	Morrison	362/294
D332,504	S *	1/1993	Ewing et al.	D26/88
D368,974	S *	4/1996	Belisle	D26/88
5,582,479	A *	12/1996	Thomas et al.	362/277
6,467,927	B1 *	10/2002	Haugaard et al.	362/147

6,494,596	B1 *	12/2002	Burroughs	362/348
6,561,676	B1 *	5/2003	Fischer et al.	362/263
6,601,975	B1 *	8/2003	Haugaard et al.	362/362
D544,127	S *	6/2007	Posey et al.	D26/74
7,284,877	B2 *	10/2007	Haugaard et al.	362/147
7,319,593	B2 *	1/2008	Wilcox et al.	361/707
7,438,440	B2 *	10/2008	Dorogi	362/294
D582,600	S *	12/2008	Guercio	D26/88
D707,382	S *	6/2014	Ni	D26/72

* cited by examiner

Primary Examiner — Clare E Heflin

(74) *Attorney, Agent, or Firm* — Denis Khoo

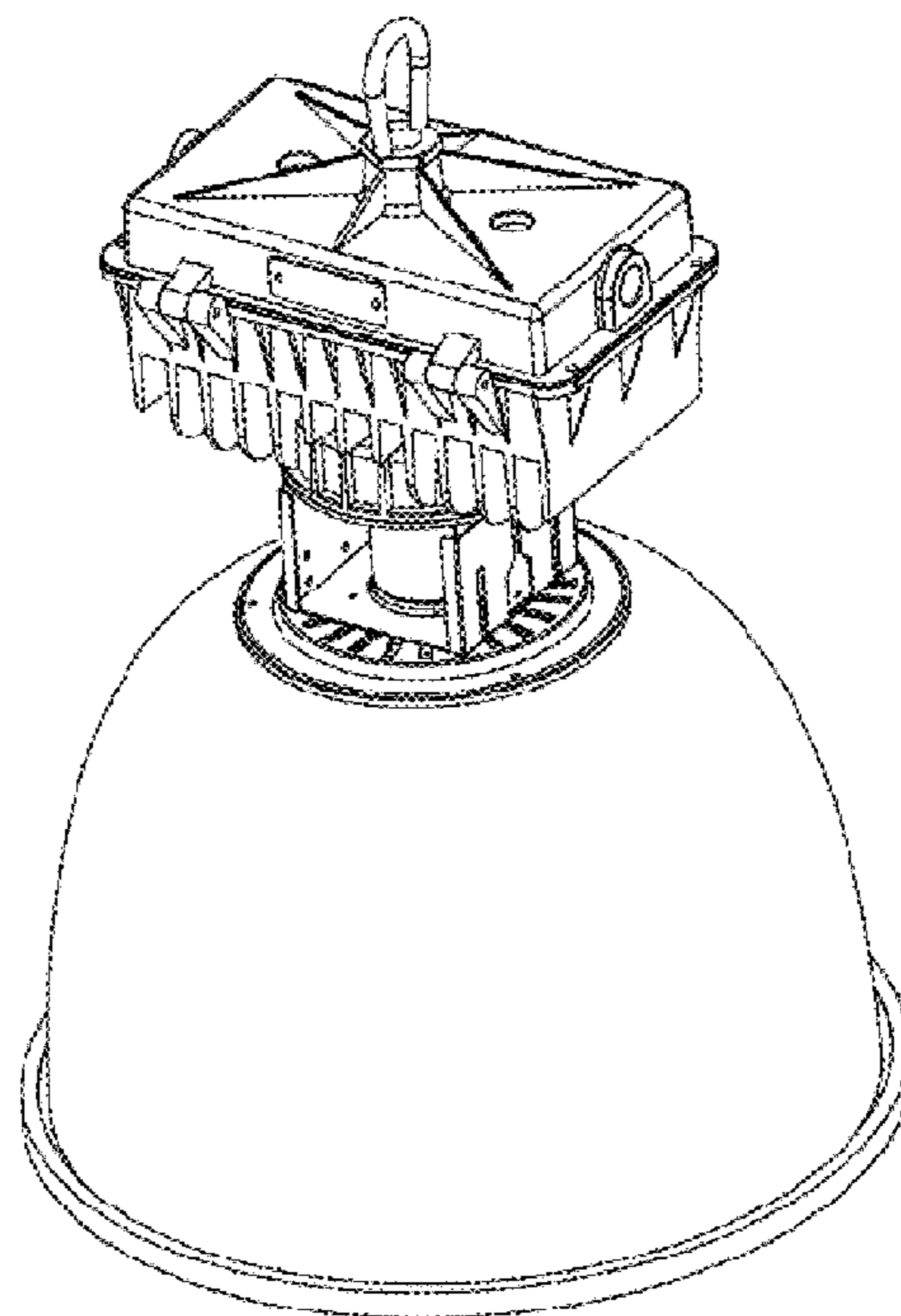
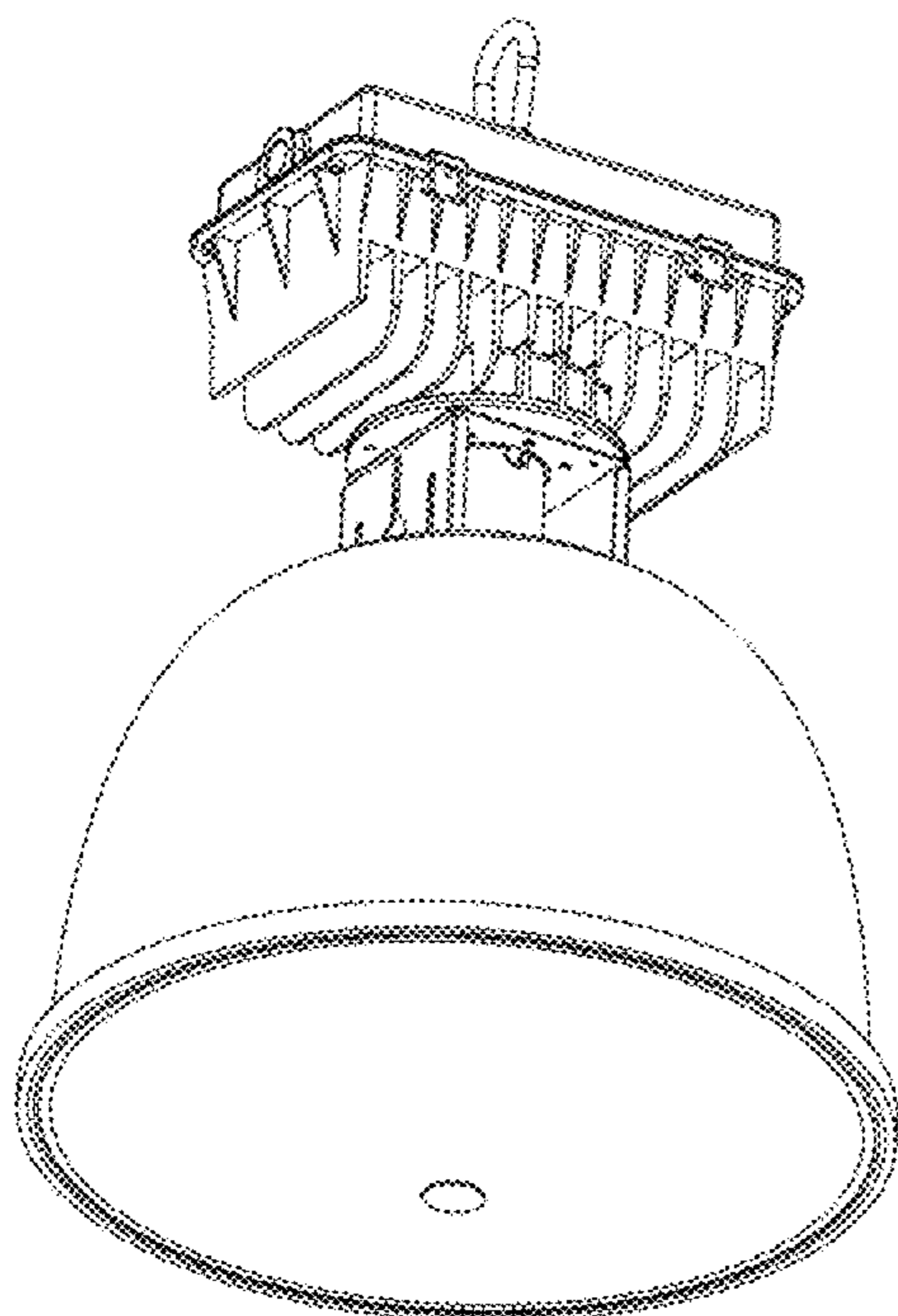
(57) **CLAIM**

The ornamental design for a light fixture with a ballast enclosure, as shown.

DESCRIPTION

FIG. 1 is a front perspective view of a light fixture with a ballast enclosure showing my new design. FIG. 2 is a front perspective view thereof. FIG. 3 is a top perspective view thereof. FIG. 4 is a rear perspective view thereof. FIG. 5 is a top perspective view thereof. FIG. 6 is a rear perspective view thereof. FIG. 7 is a front elevation view thereof. FIG. 8 is a rear elevation view thereof. FIG. 9 is a left elevation view thereof. FIG. 10 is a right elevation view thereof. FIG. 11 is a top plan view thereof; and, FIG. 12 is a bottom plan view thereof.

1 Claim, 12 Drawing Sheets



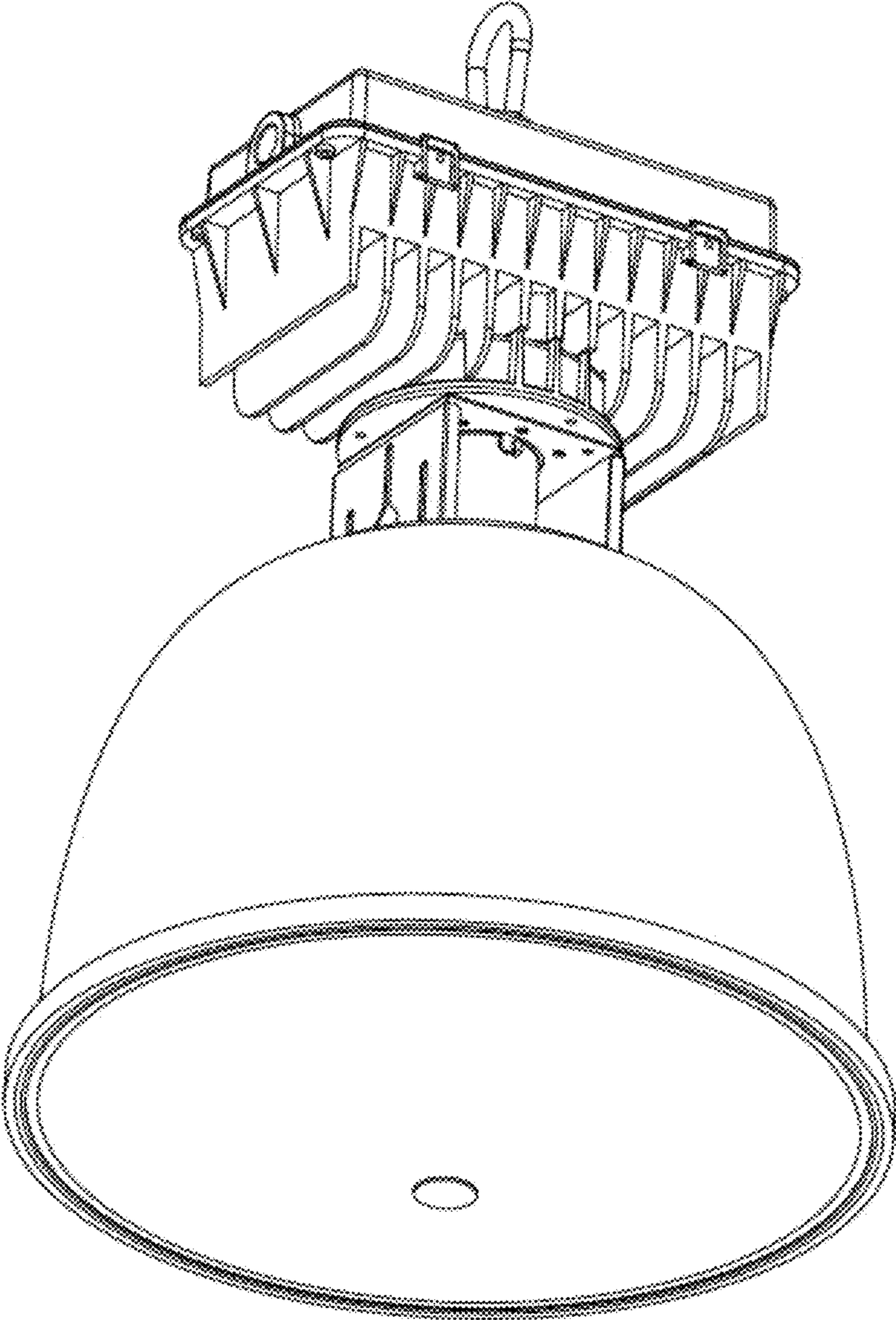


FIG. 1

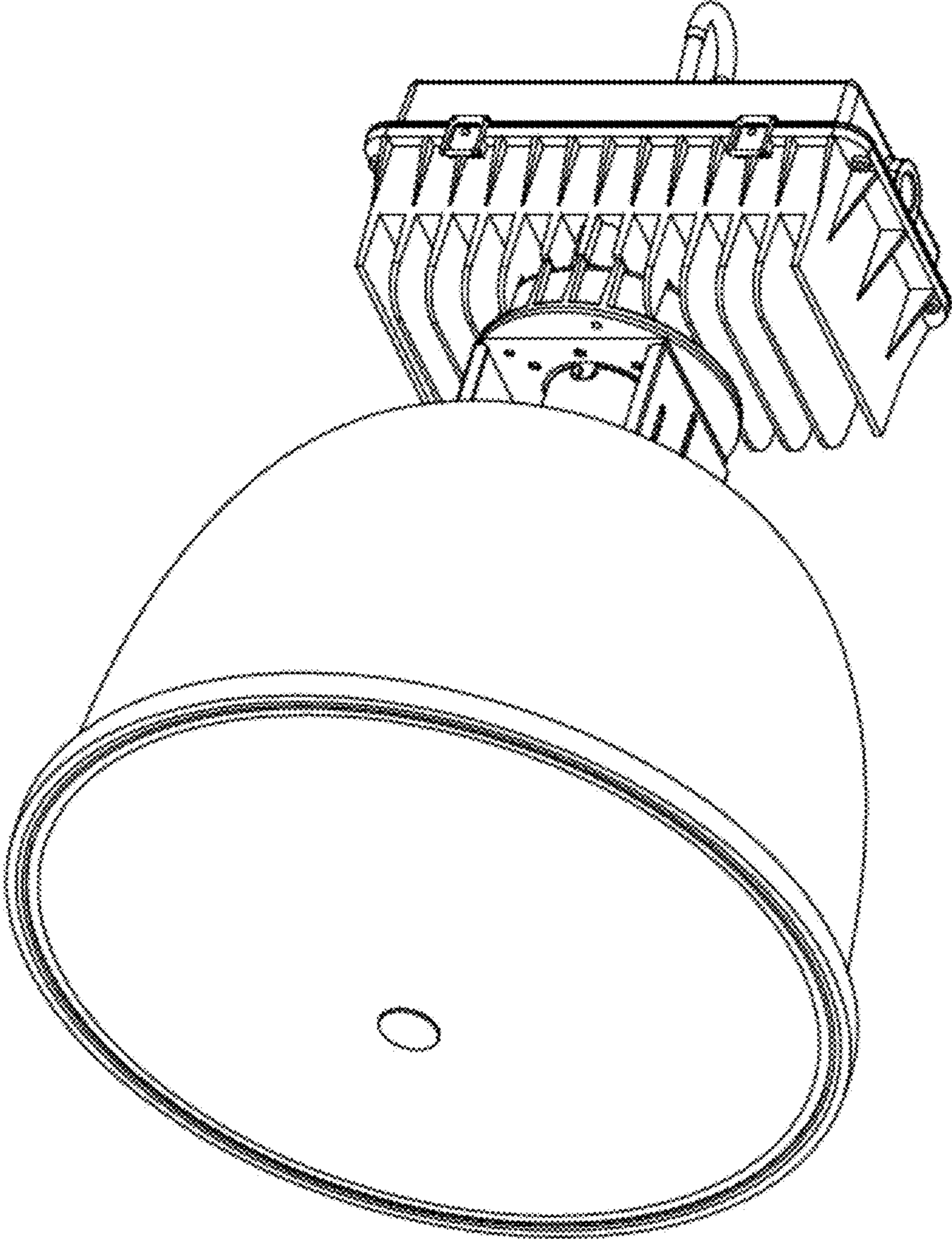


FIG. 2

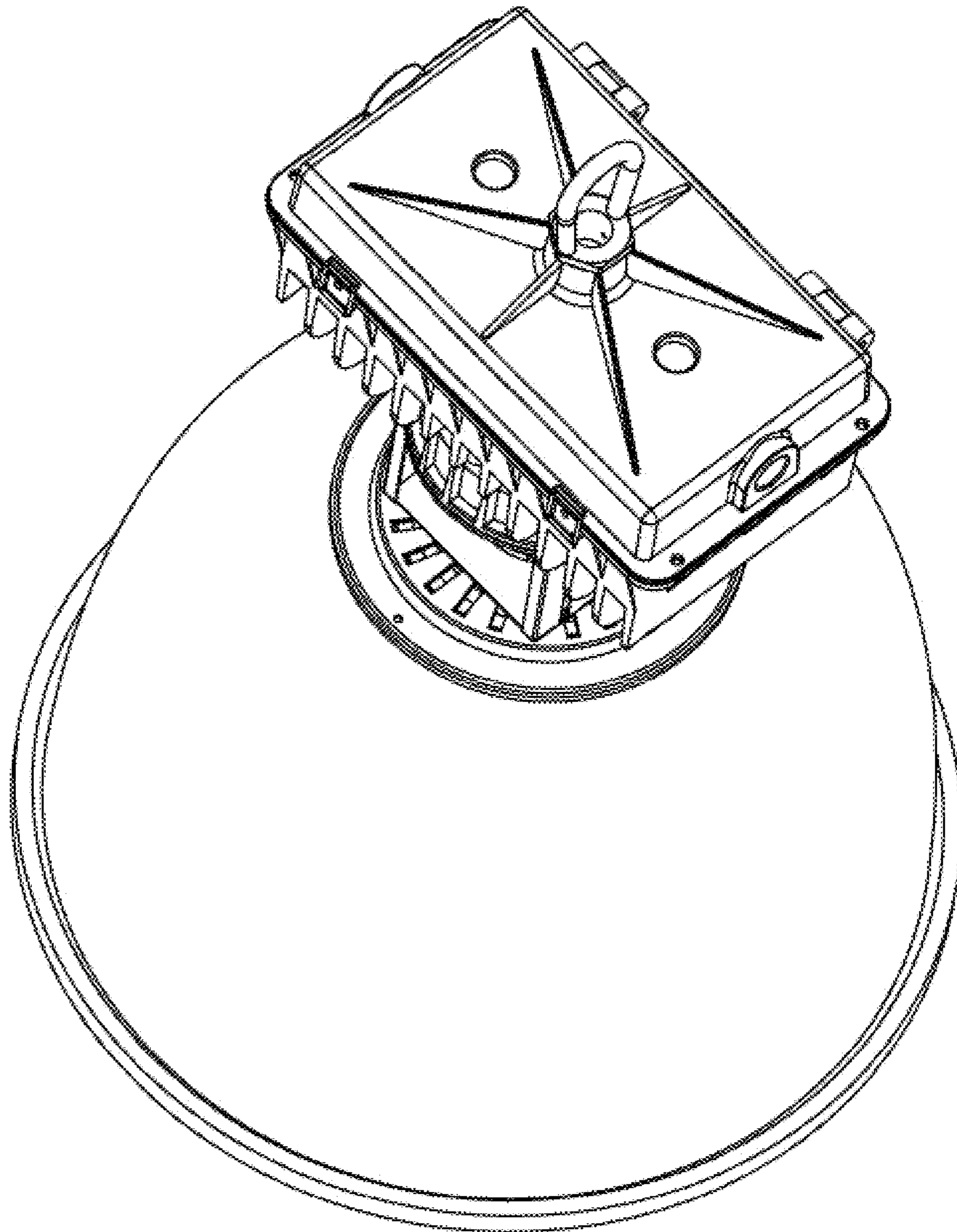


FIG. 3

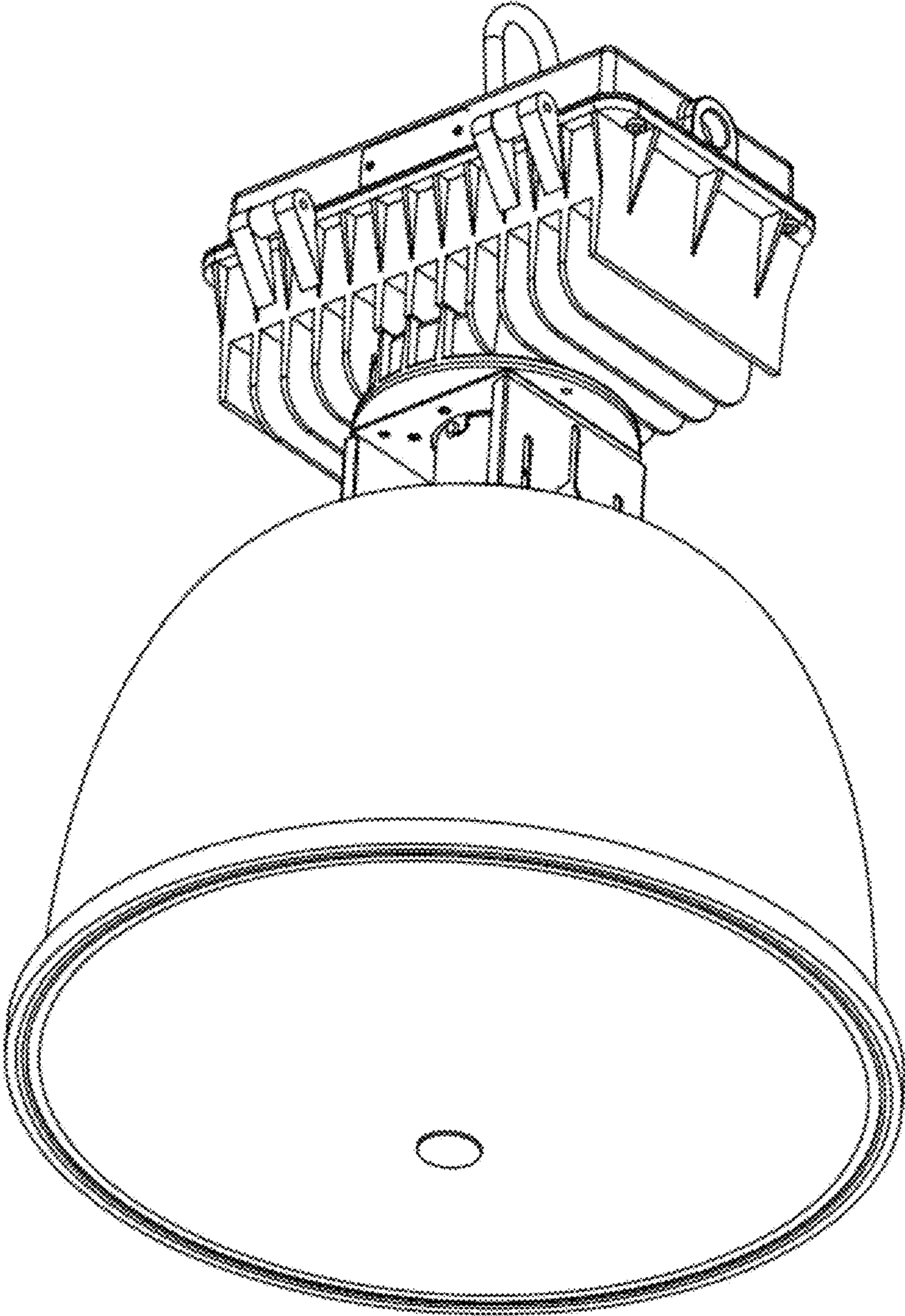


FIG. 4

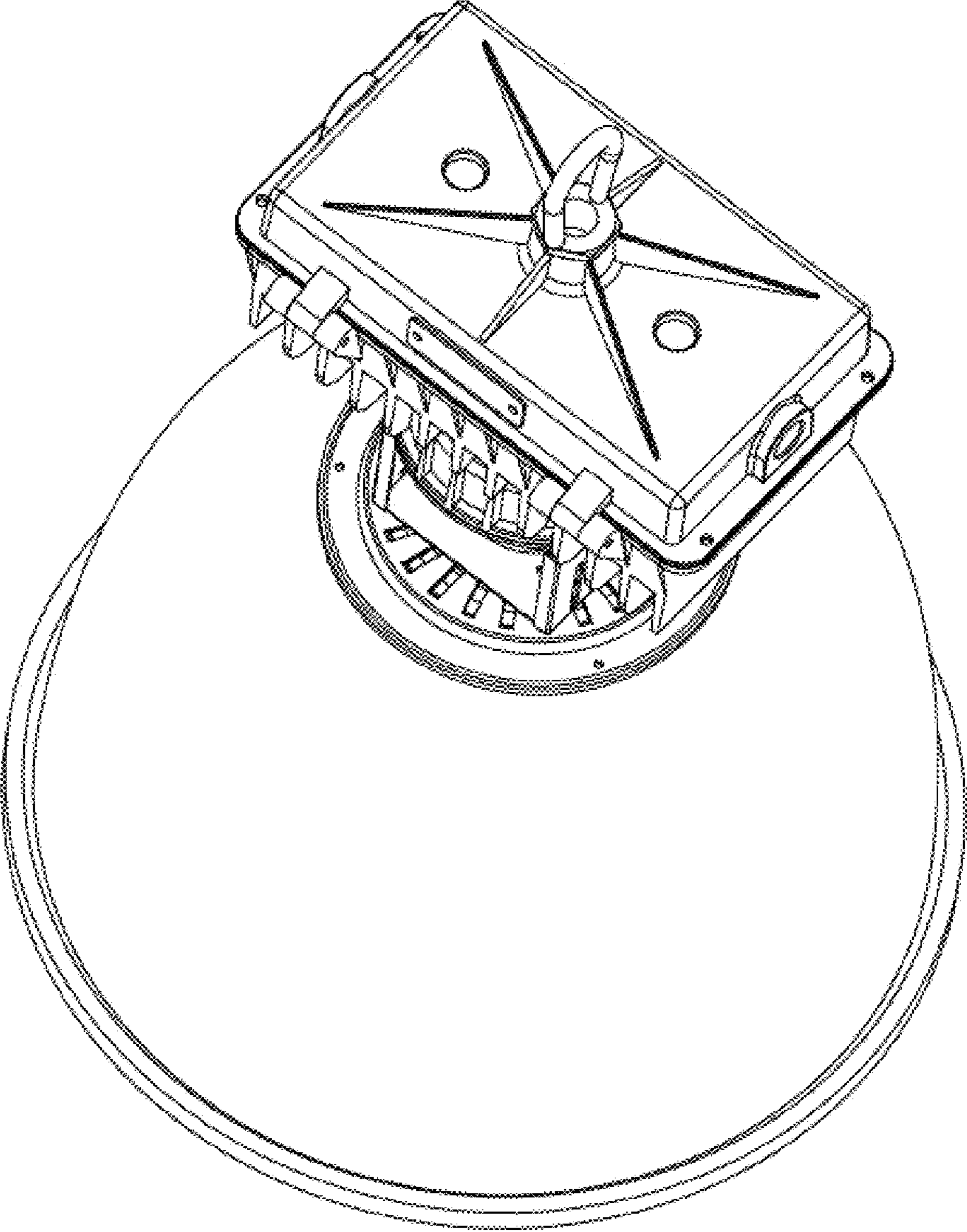


FIG. 5

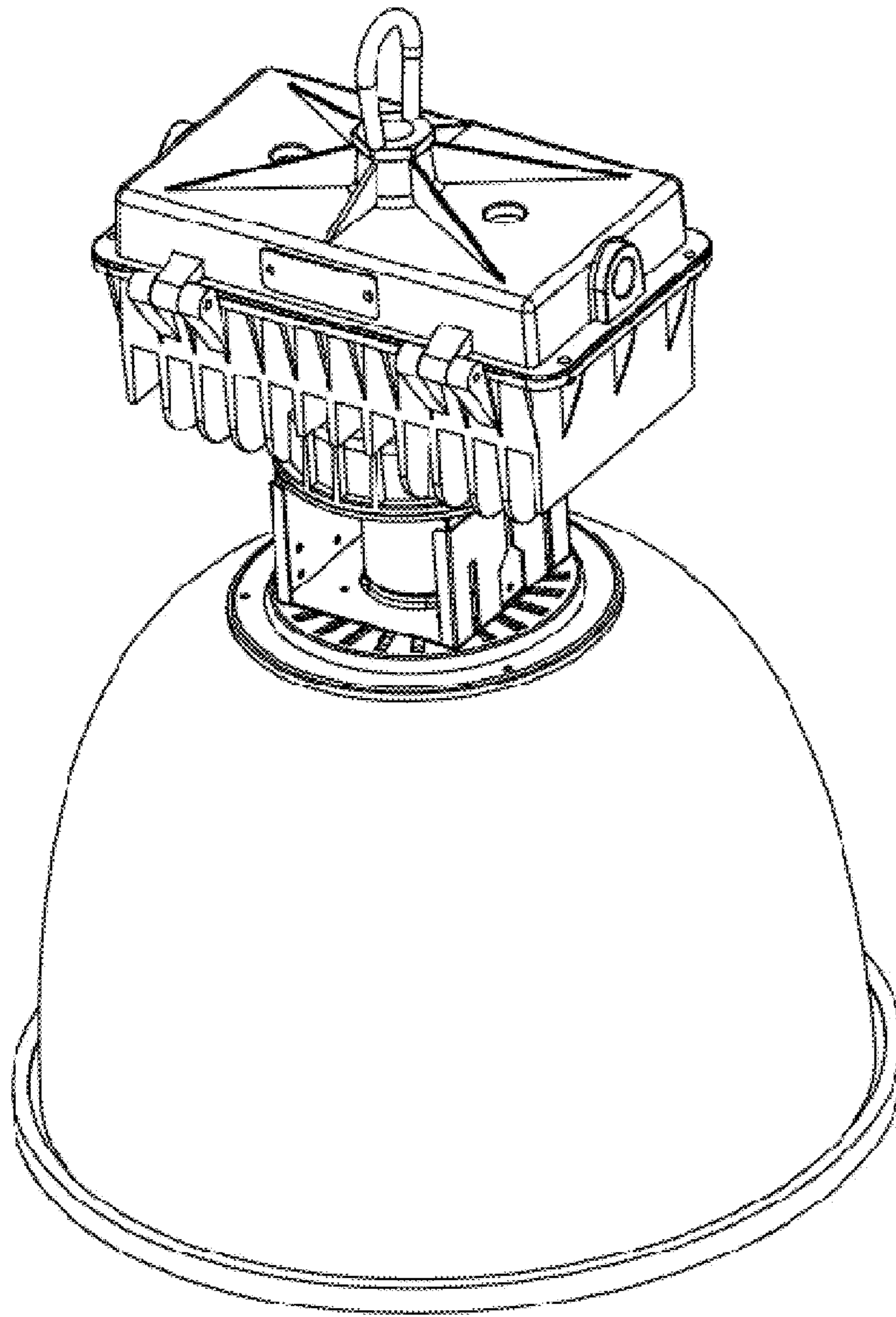


FIG. 6

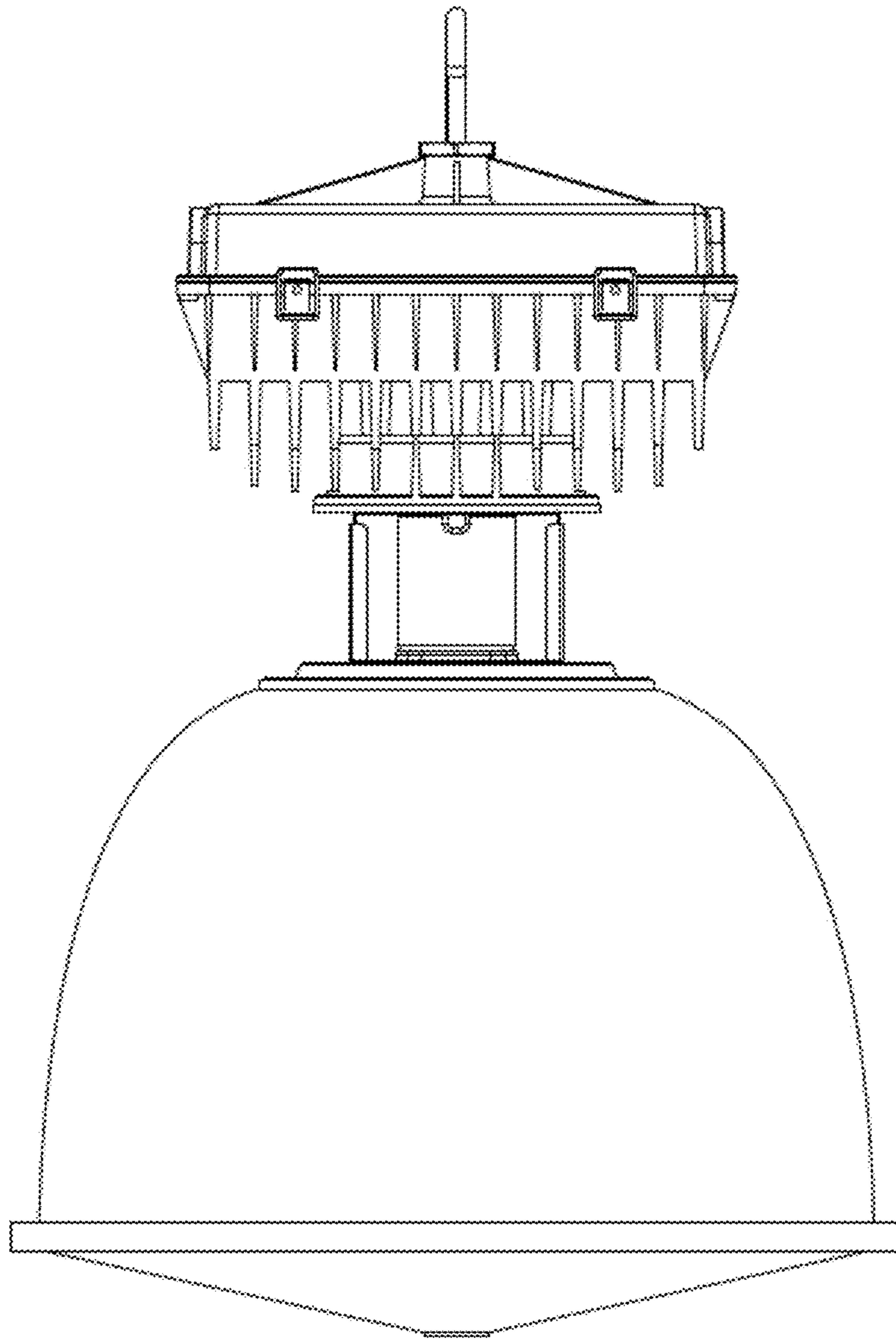


FIG. 7

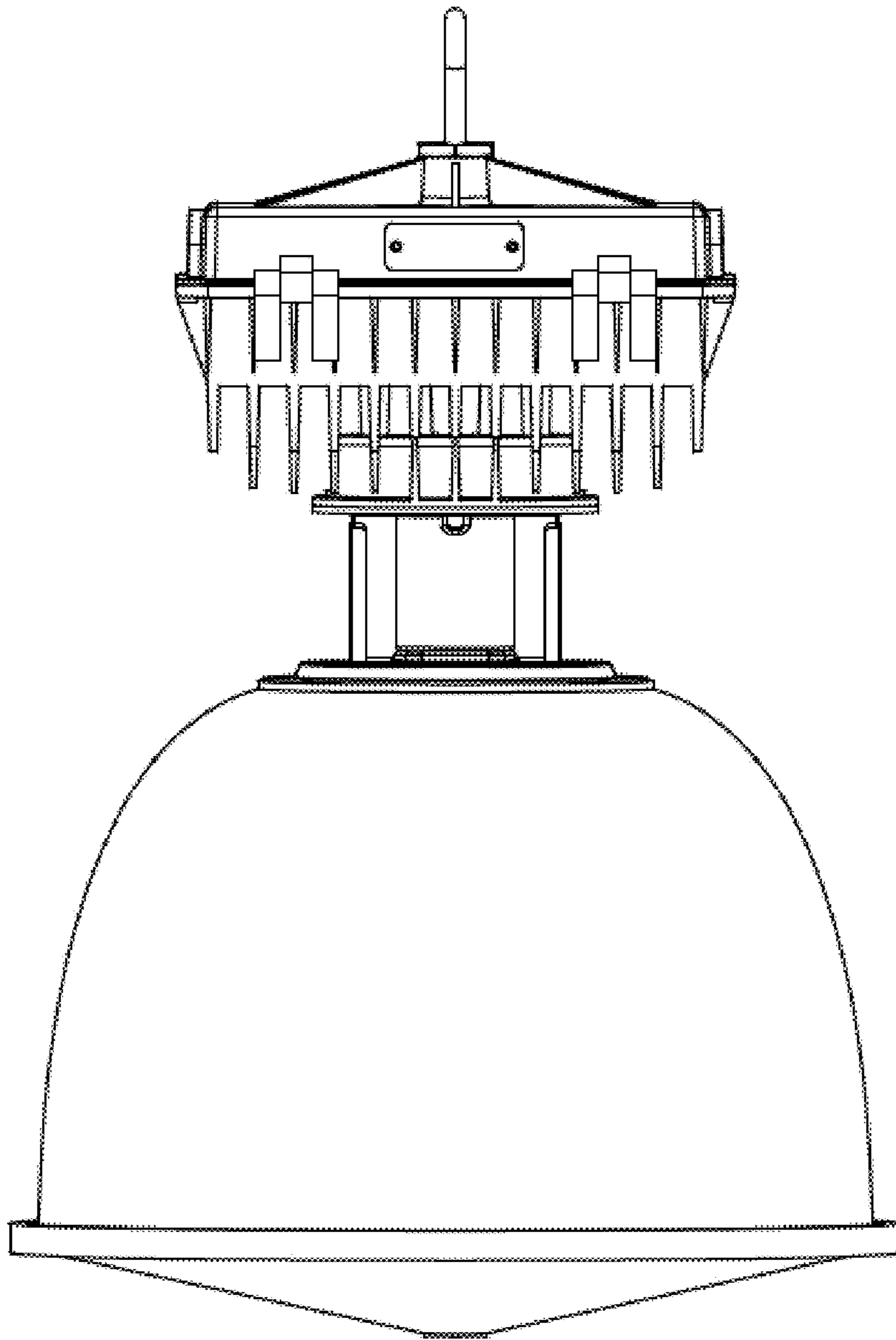


FIG. 8

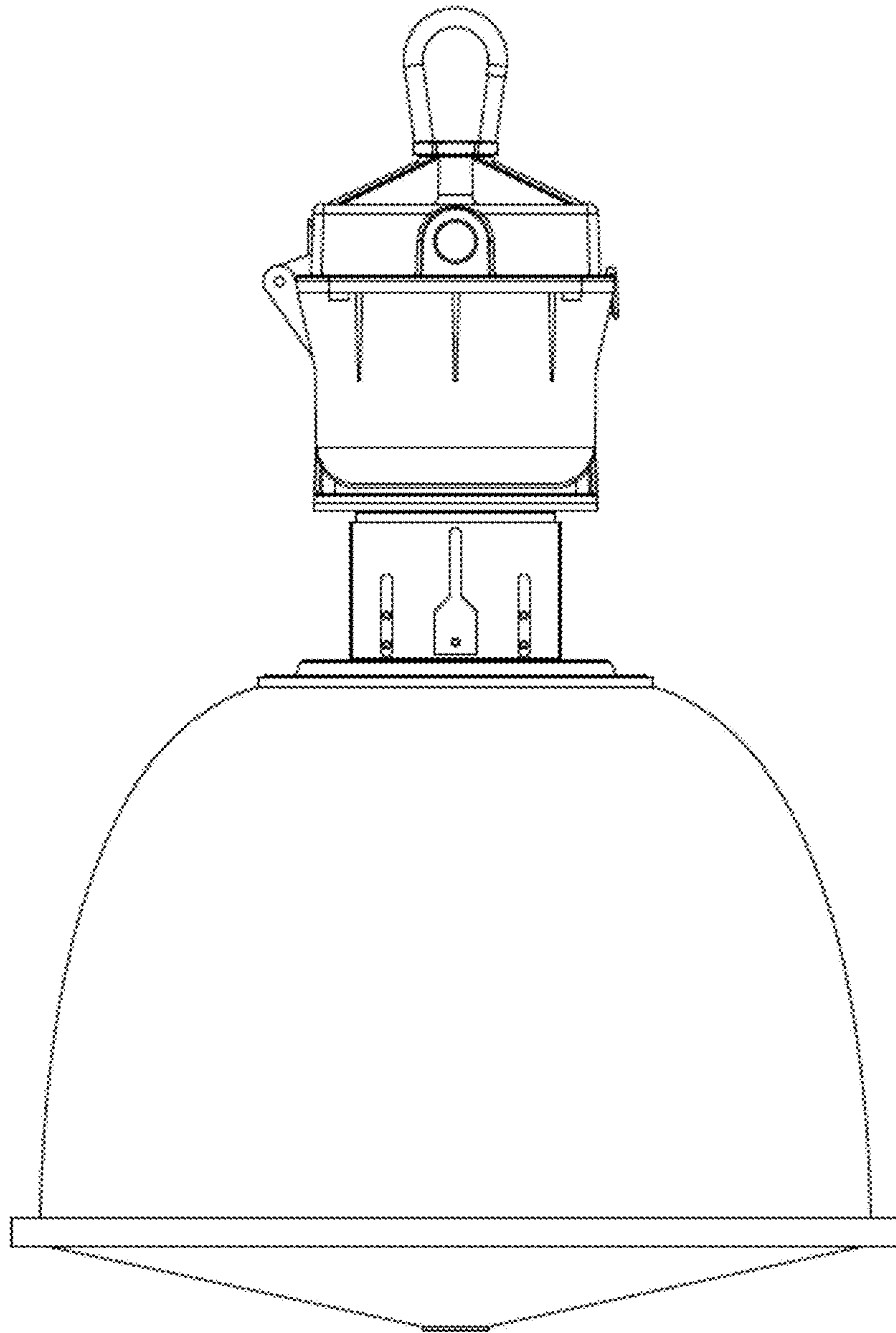


FIG. 9

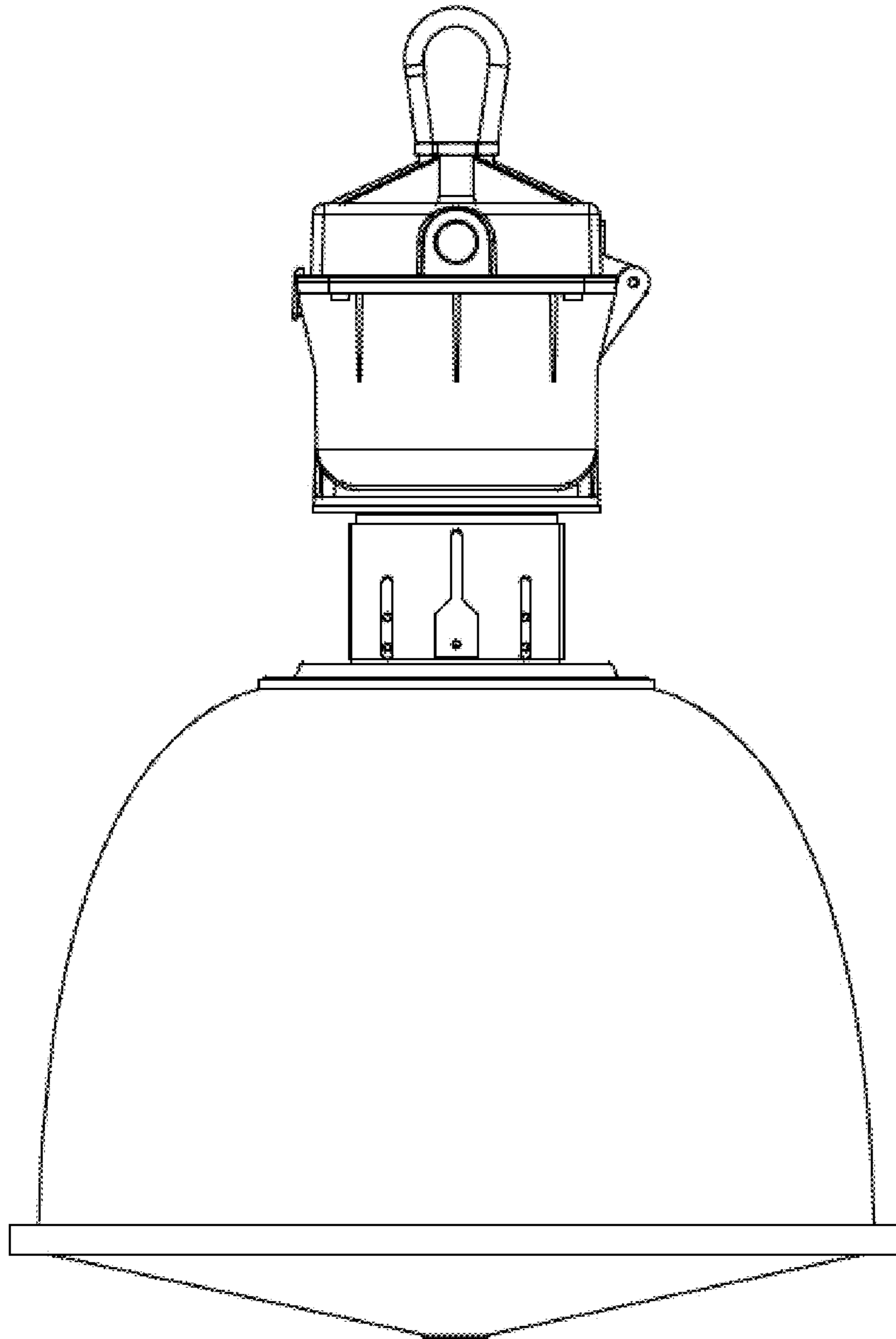


FIG. 10

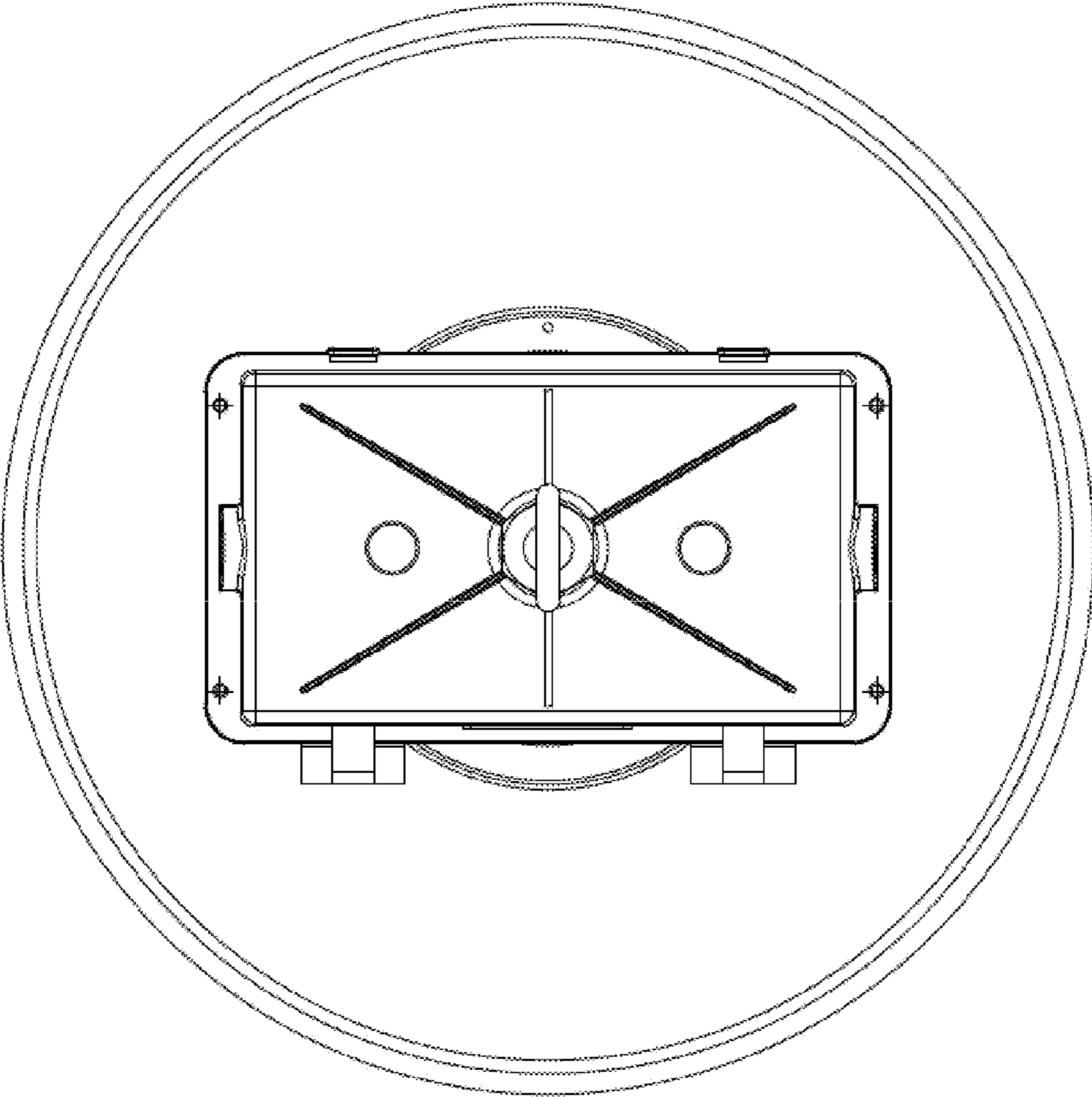


FIG. 11

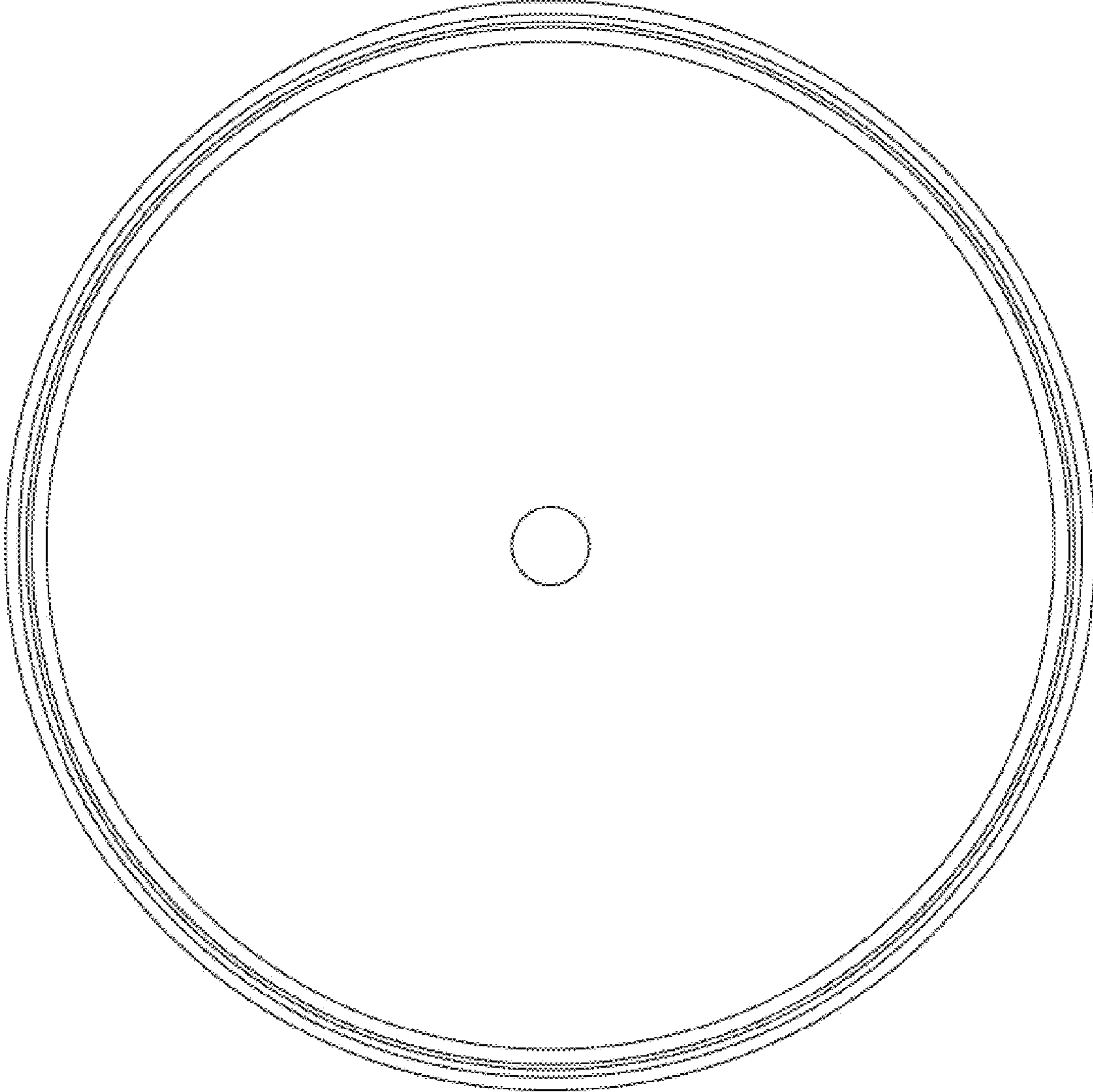


FIG. 12