



US00D741529S

(12) **United States Design Patent**  
**Glover et al.**

(10) **Patent No.:** **US D741,529 S**

(45) **Date of Patent:** **\*\* Oct. 20, 2015**

(54) **VEHICLE TAIL LAMP**

(71) Applicants: **Jeremy Glover**, Clawson, MI (US);  
**Brian Nielander**, Royal Oak, MI (US);  
**Mark T Allen**, Oxford, MI (US)

(72) Inventors: **Jeremy Glover**, Clawson, MI (US);  
**Brian Nielander**, Royal Oak, MI (US);  
**Mark T Allen**, Oxford, MI (US)

(73) Assignee: **FCA US LLC**, Auburn Hills, MI (US)

(\*\*) Term: **14 Years**

(21) Appl. No.: **29/507,345**

(22) Filed: **Oct. 27, 2014**

**Related U.S. Application Data**

(63) Continuation-in-part of application No. 29/482,347,  
filed on Feb. 18, 2014, now Pat. No. Des. 728,425.

(51) **LOC (10) Cl.** ..... **26-06**

(52) **U.S. Cl.**  
USPC ..... **D26/28**

(58) **Field of Classification Search**  
USPC ..... D26/28-36; 362/459-468, 475-478,  
362/485-487  
CPC ..... F21S 48/00; F21S 48/10; F21S 48/115;  
F21S 48/225; F21S 48/2281; F21S 48/1233;  
F21S 48/1266; F21S 48/1388; F21S 48/2268;  
F21V 21/04

See application file for complete search history.

(56) **References Cited**

U.S. PATENT DOCUMENTS

D490,172 S *	5/2004	Yamamoto .....	D26/28
D521,162 S *	5/2006	Campagna .....	D26/28
D564,683 S *	3/2008	Roach .....	D26/28
D570,011 S *	5/2008	Huang .....	D26/28
D638,963 S *	5/2011	Huang .....	D26/28

\* cited by examiner

*Primary Examiner* — Marcus Jackson

(74) *Attorney, Agent, or Firm* — Ralph E Smith

(57) **CLAIM**

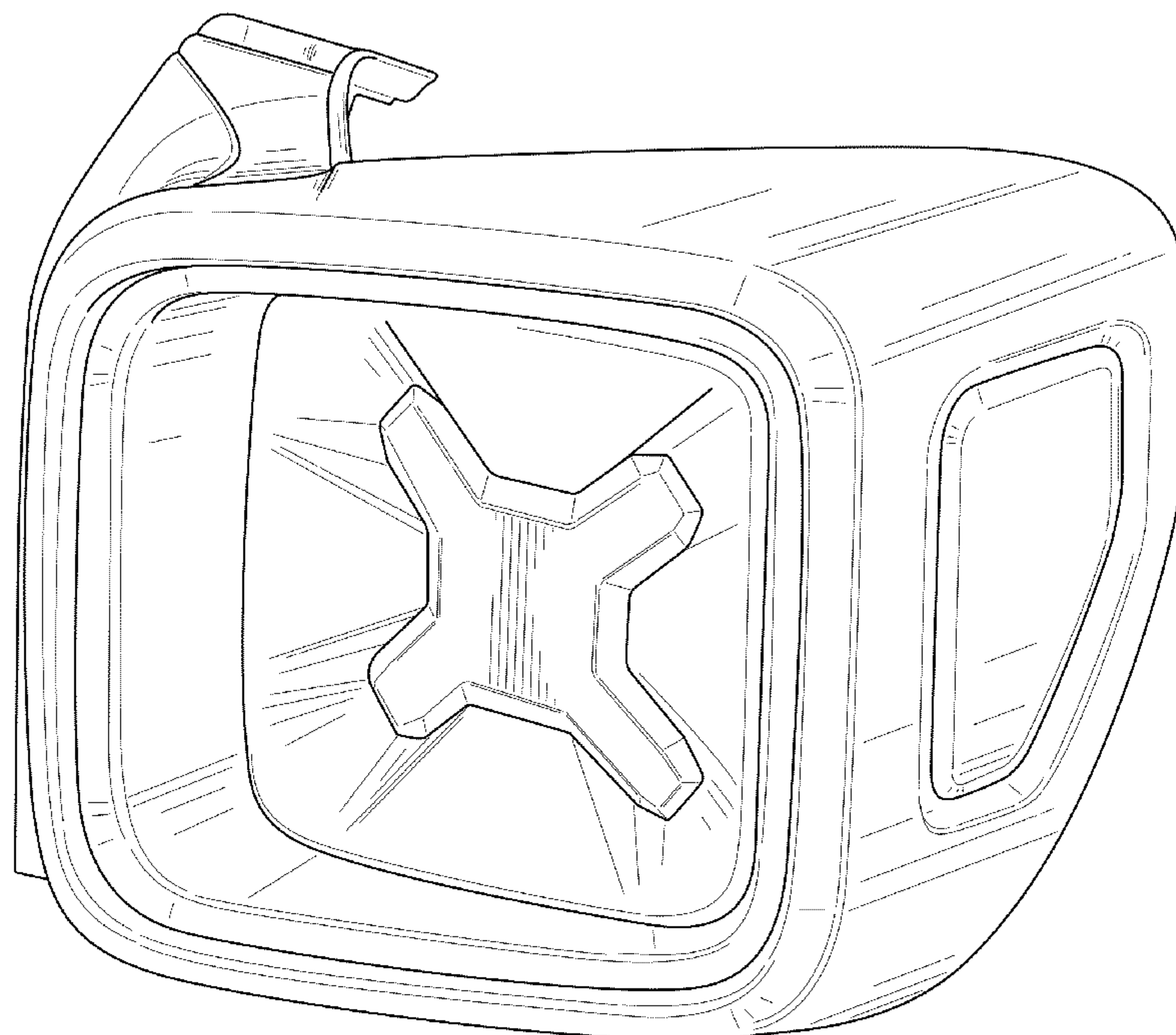
The ornamental design for a vehicle tail lamp, as shown and described.

**DESCRIPTION**

FIG. 1 is an outer perspective view of a passenger side vehicle tail lamp showing our new design;  
FIG. 2 is a front view thereof;  
FIG. 3 is rear view thereof;  
FIG. 4 is left side view thereof;  
FIG. 5 is a right side view thereof;  
FIG. 6 is a top view thereof; and,  
FIG. 7 is a bottom view thereof.

It will be understood that the broken lines shown in the drawings illustrate portions of the vehicle tail lamp that form no part of claimed design.

**1 Claim, 7 Drawing Sheets**



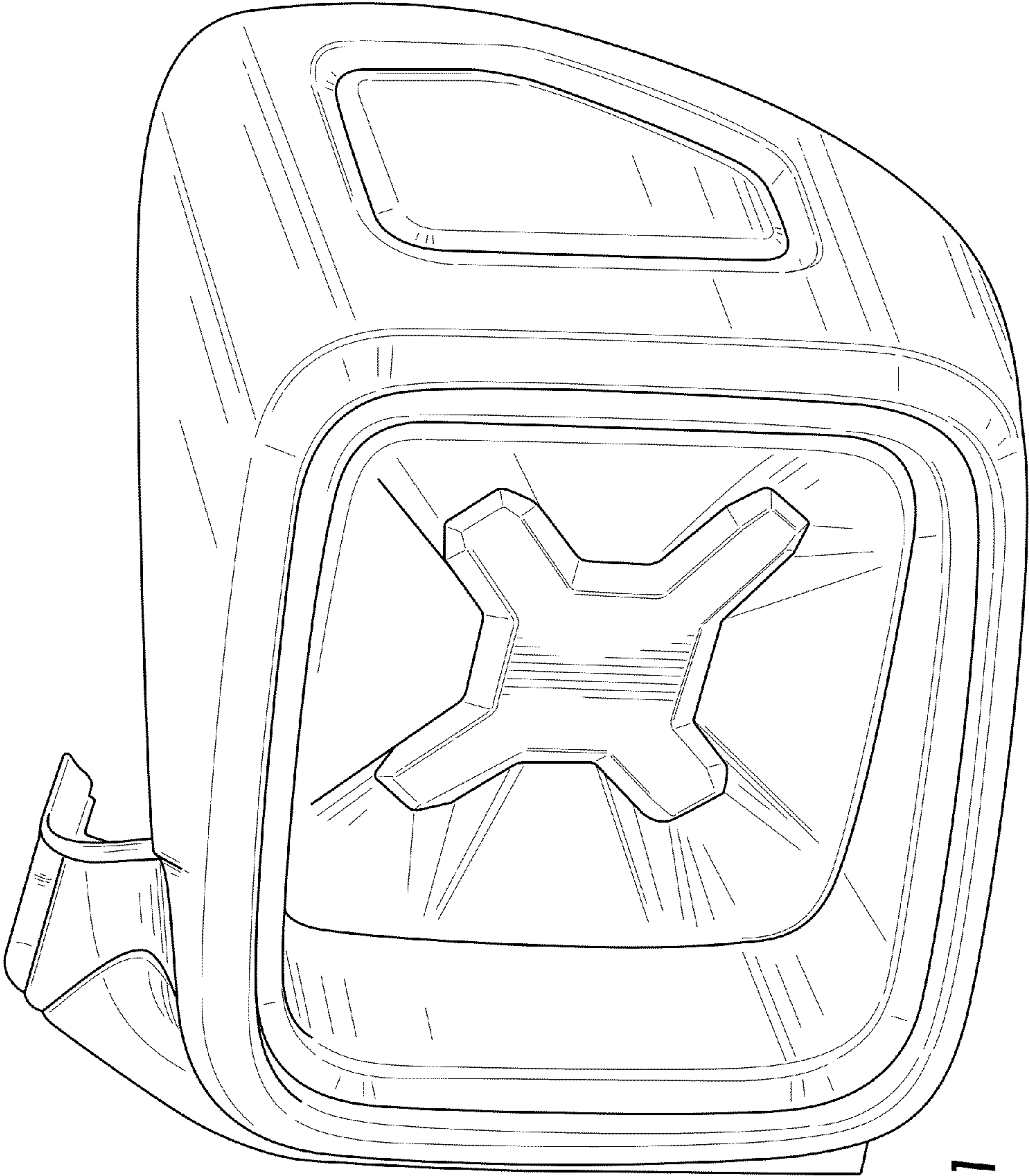


FIG. 7

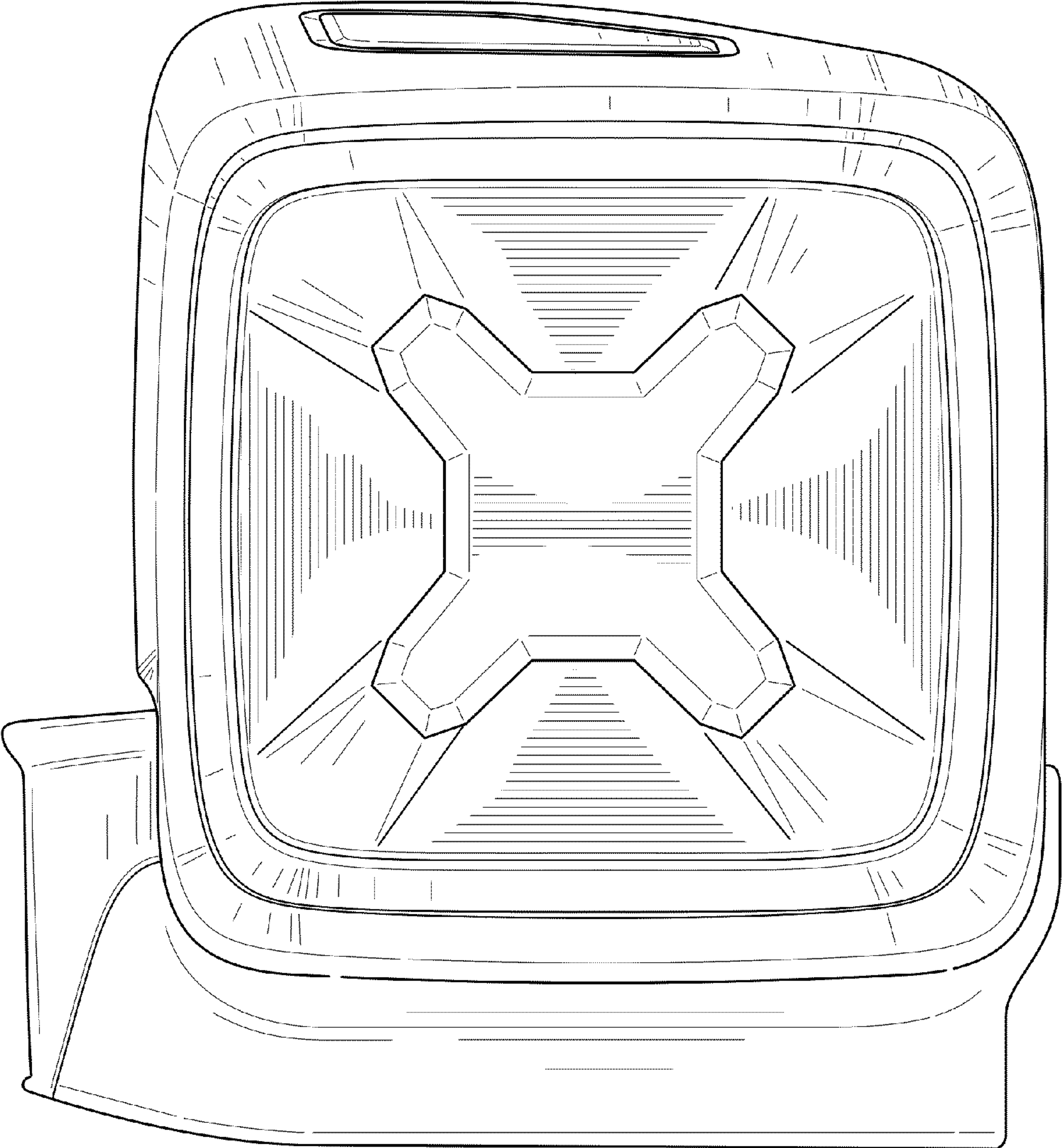


FIG. 2



FIG. 3





FIG. 4

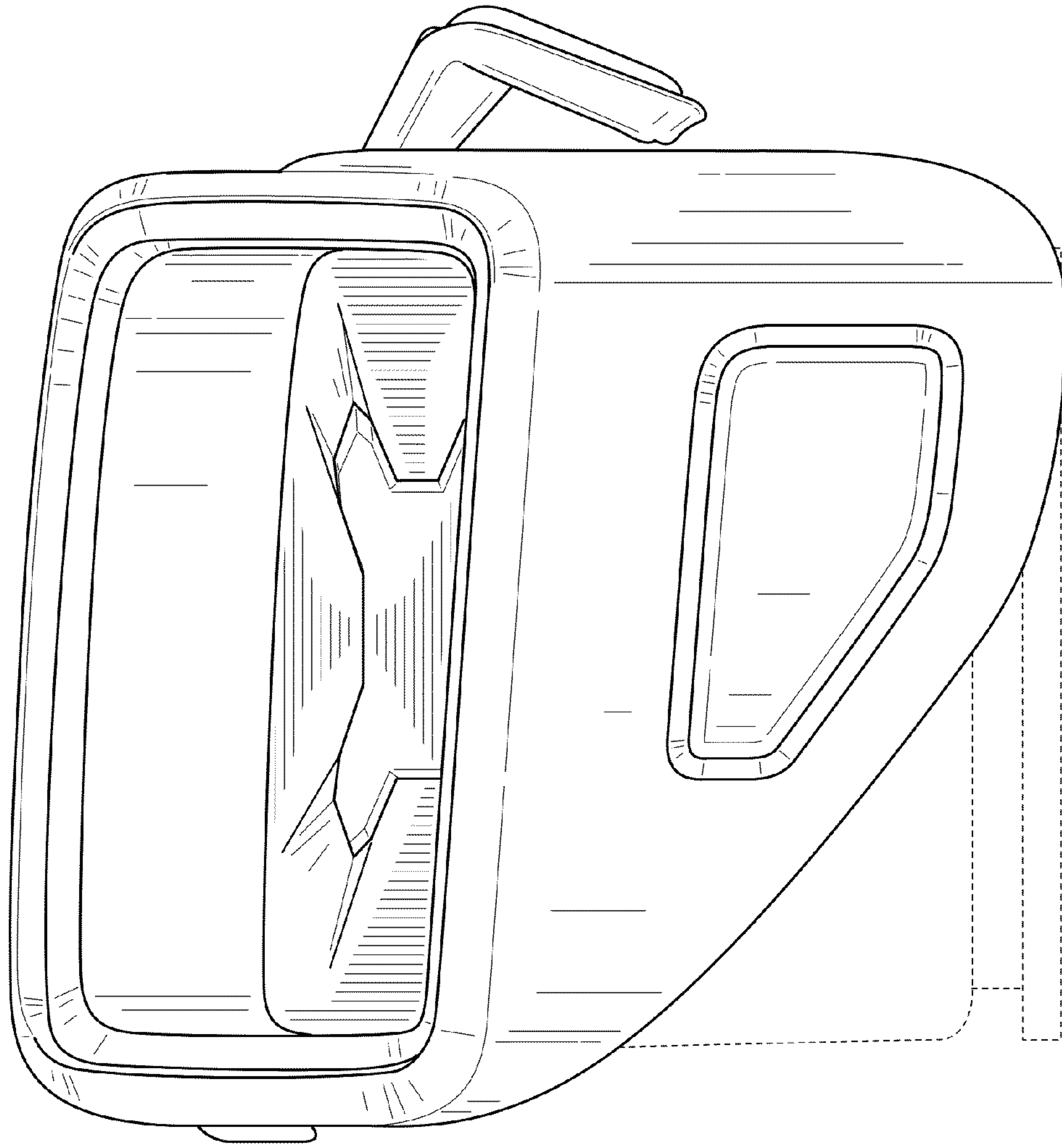


FIG. 5

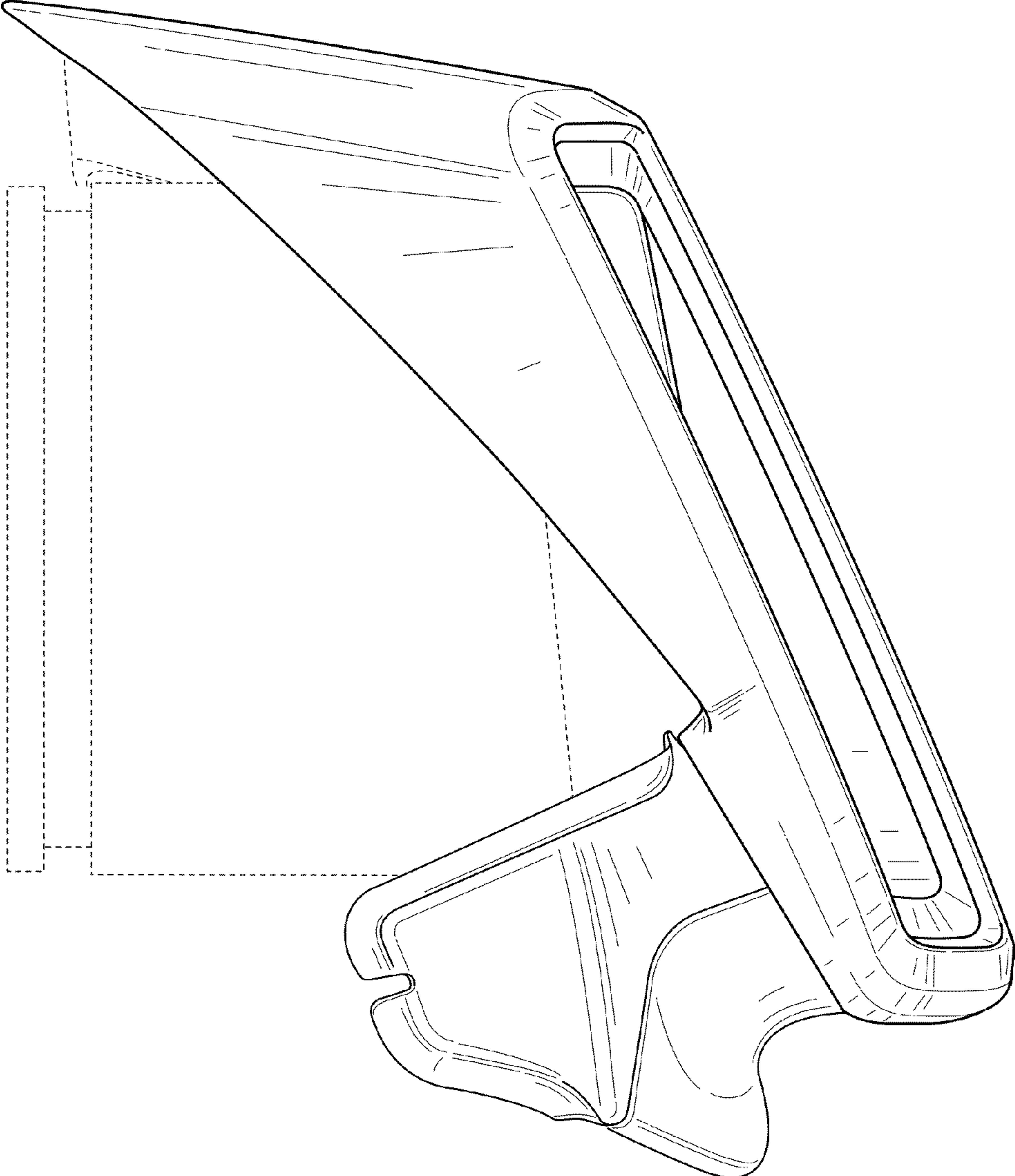


FIG. 6

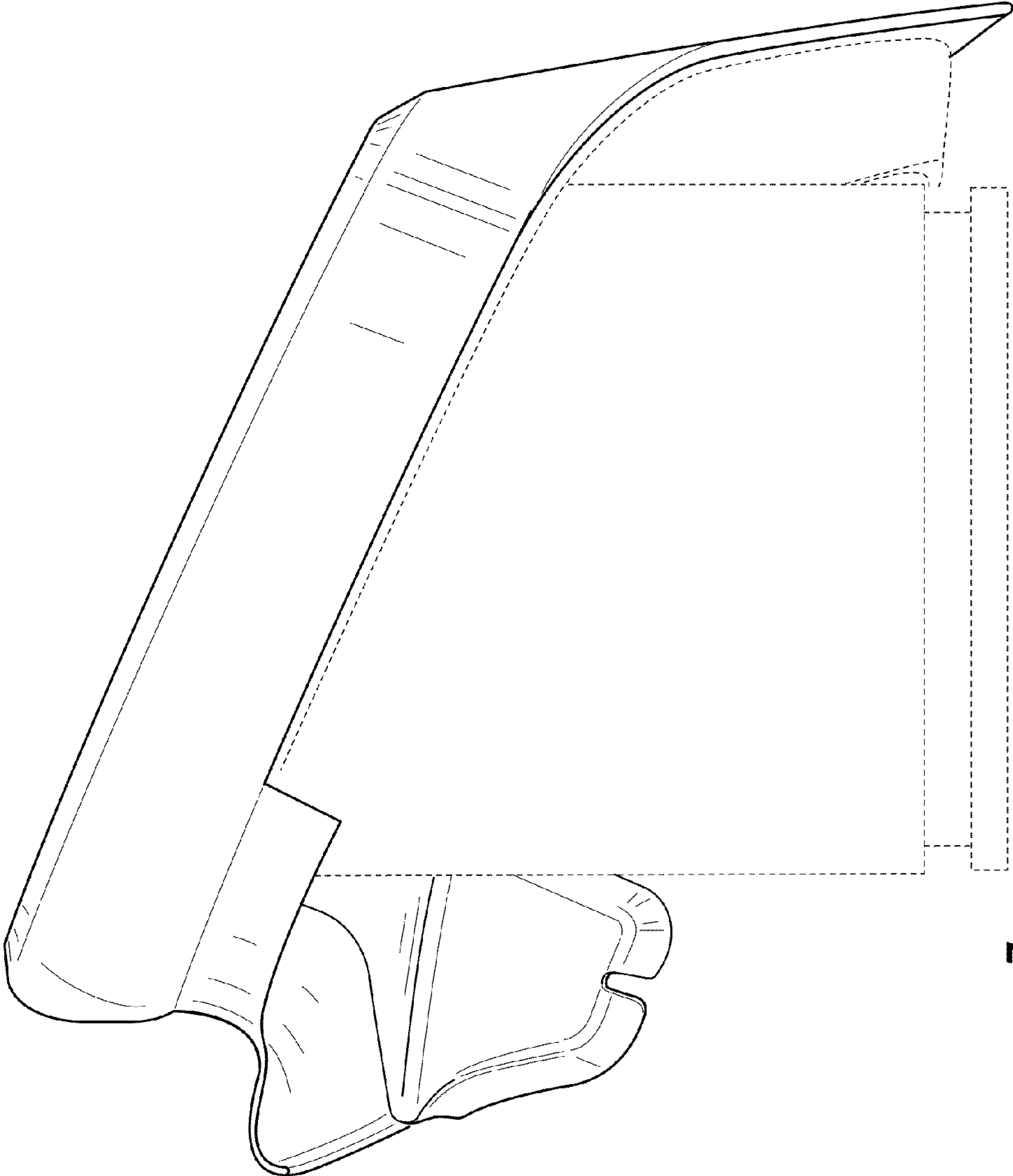


FIG. 7