



US00D741528S

(12) **United States Design Patent**  
**Glover et al.**

(10) **Patent No.:** **US D741,528 S**

(45) **Date of Patent:** **\*\* Oct. 20, 2015**

(54) **VEHICLE HEADLAMP**

(56) **References Cited**

(71) Applicants: **Jeremy Glover**, Clawson, MI (US);  
**Brian Nielander**, Royal Oak, MI (US);  
**Mark T Allen**, Oxford, MI (US)

U.S. PATENT DOCUMENTS

D550,380 S *	9/2007	Lin	.....	D26/28
D560,291 S *	1/2008	Koyama	.....	D26/28
D560,832 S *	1/2008	Hsu	.....	D26/28
D561,358 S *	2/2008	Tachibana	.....	D26/28
D561,359 S *	2/2008	Hsu	.....	D26/28
D563,576 S *	3/2008	Hanaoka	.....	D26/28
D569,533 S *	5/2008	Hsu	.....	D26/28
D570,007 S *	5/2008	Hsu	.....	D26/28
D593,232 S *	5/2009	Koman	.....	D26/28
D690,853 S *	10/2013	Huang	.....	D26/28

(72) Inventors: **Jeremy Glover**, Clawson, MI (US);  
**Brian Nielander**, Royal Oak, MI (US);  
**Mark T Allen**, Oxford, MI (US)

(73) Assignee: **FCA US LLC**, Auburn Hills, MI (US)

(\*\*) Term: **14 Years**

\* cited by examiner

(21) Appl. No.: **29/507,342**

*Primary Examiner* — Marcus Jackson

(22) Filed: **Oct. 27, 2014**

(74) *Attorney, Agent, or Firm* — Ralph E Smith

(57) **CLAIM**

The ornamental design for a vehicle headlamp, as shown and described.

**Related U.S. Application Data**

**DESCRIPTION**

(63) Continuation-in-part of application No. 29/482,347, filed on Feb. 18, 2014, now Pat. No. Des. 728,425.

(51) **LOC (10) Cl.** ..... **26-06**

(52) **U.S. Cl.**  
USPC ..... **D26/28**

(58) **Field of Classification Search**  
USPC ..... D26/28-36; 362/459-468, 475-478,  
362/485-487

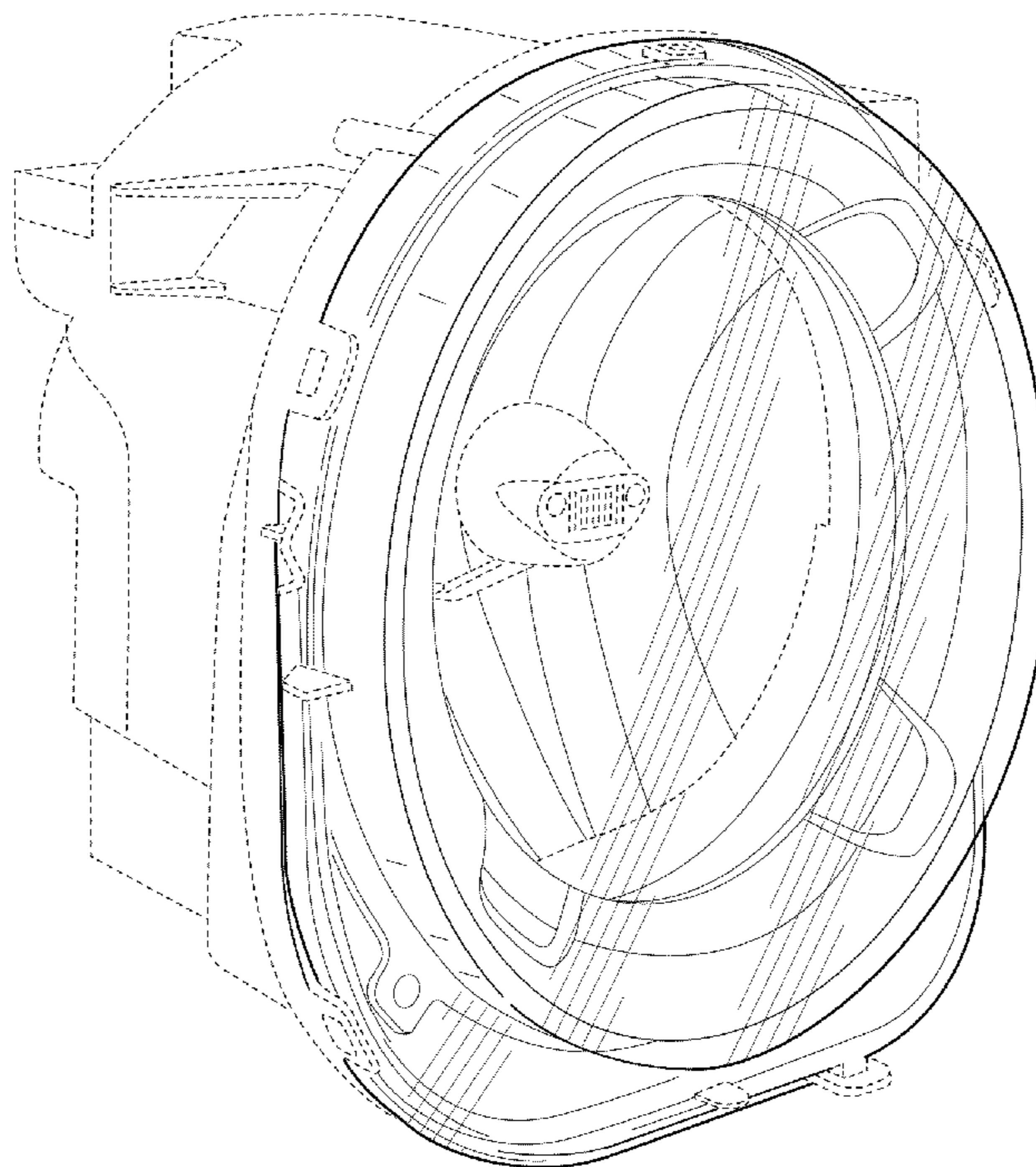
CPC ..... F21S 48/00; F21S 48/10; F21S 48/115;  
F21S 48/225; F21S 48/1233; F21S 48/1266;  
F21S 48/1388; F21S 48/2268; F21V 21/04

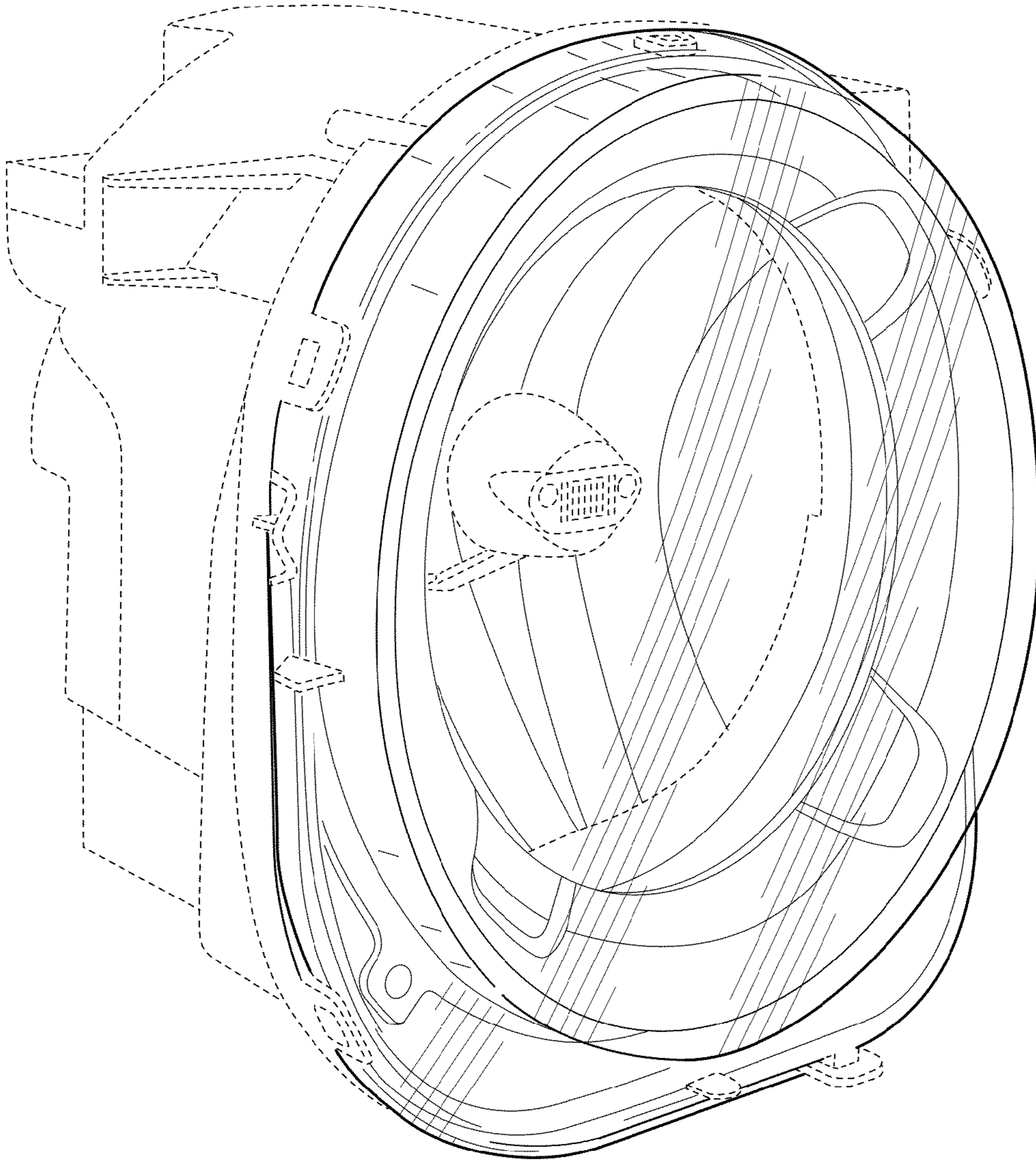
See application file for complete search history.

FIG. 1 is an outer perspective view of a passenger side vehicle headlamp showing our new design;  
FIG. 2 is a front view thereof;  
FIG. 3 is a left side view thereof;  
FIG. 4 is a right side view thereof;  
FIG. 5 is rear view thereof;  
FIG. 6 is a top view thereof; and,  
FIG. 7 is a bottom view thereof.

It will be understood that the broken lines shown in the drawings illustrate portions of the vehicle headlamp that form no part of claimed design.

**1 Claim, 7 Drawing Sheets**





**FIG. 1**

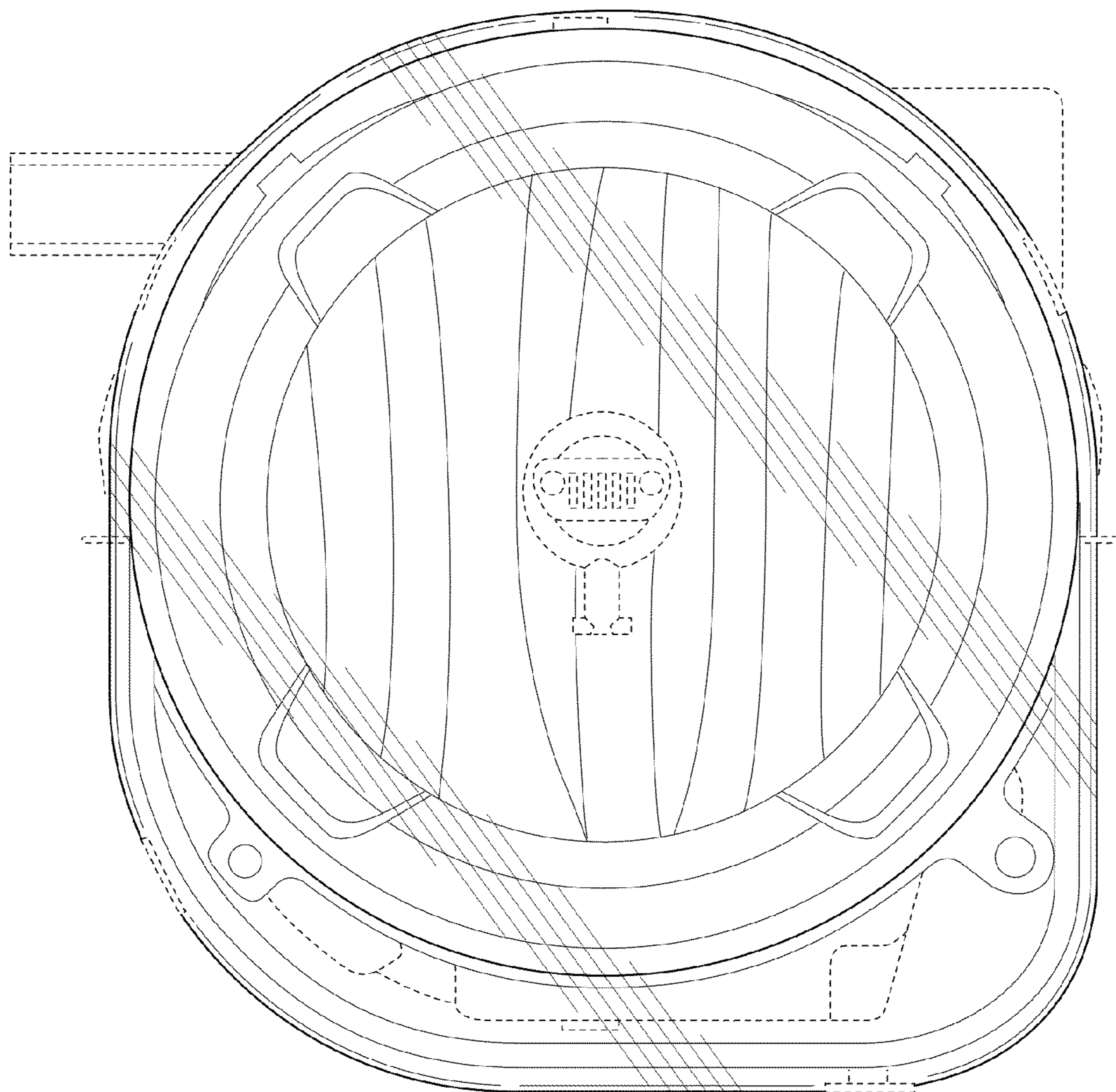


FIG. 2



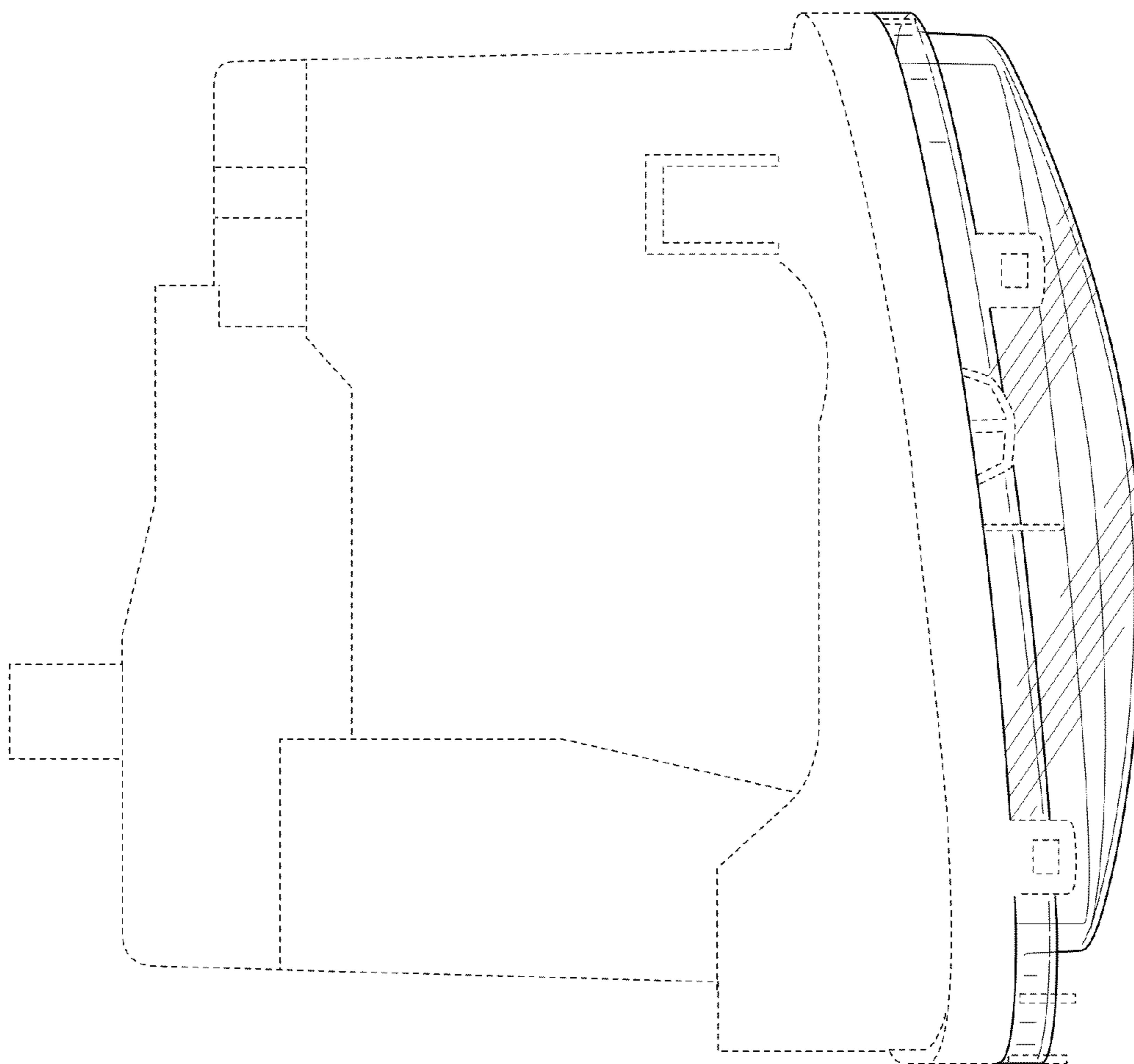


FIG. 3

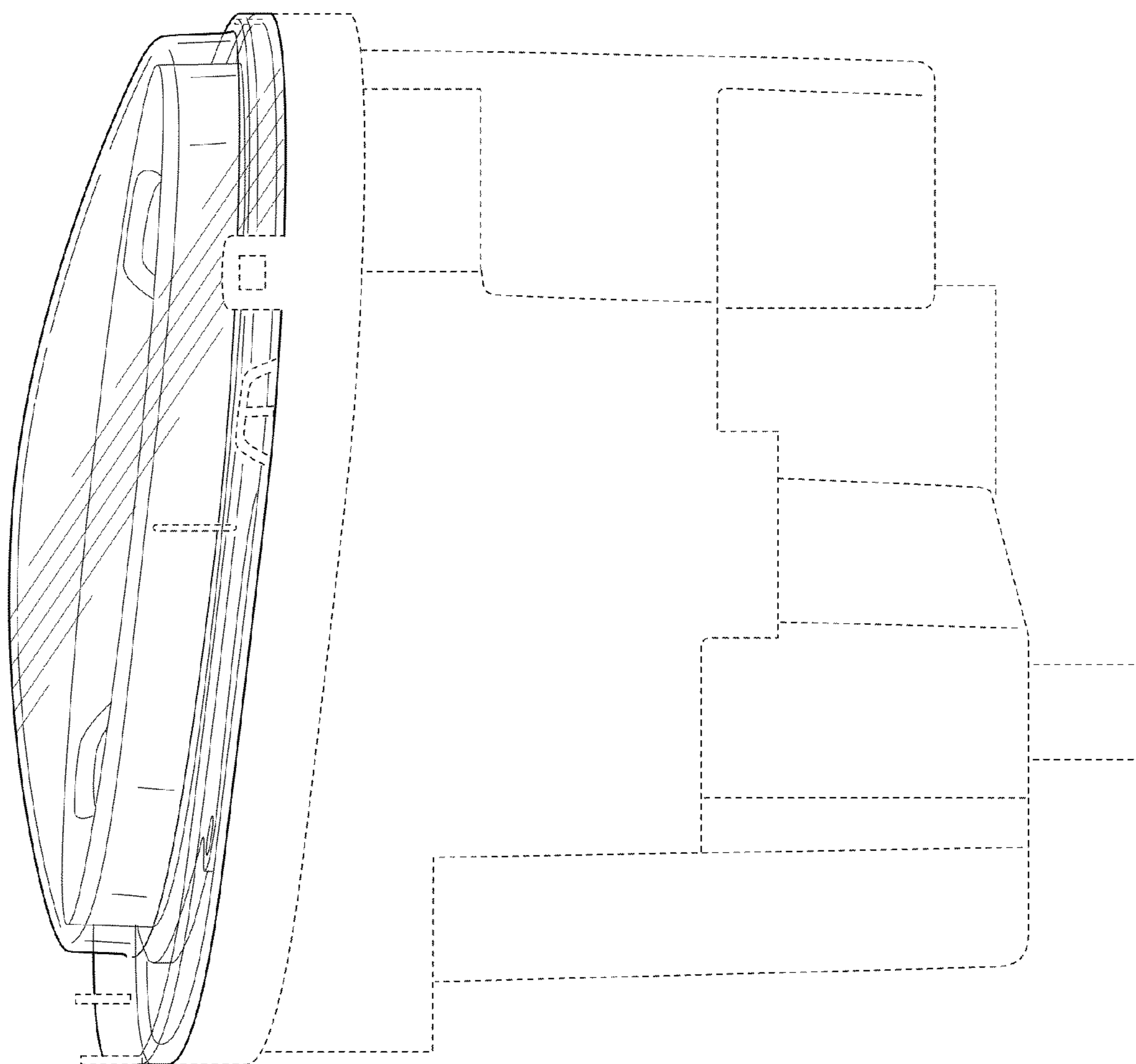
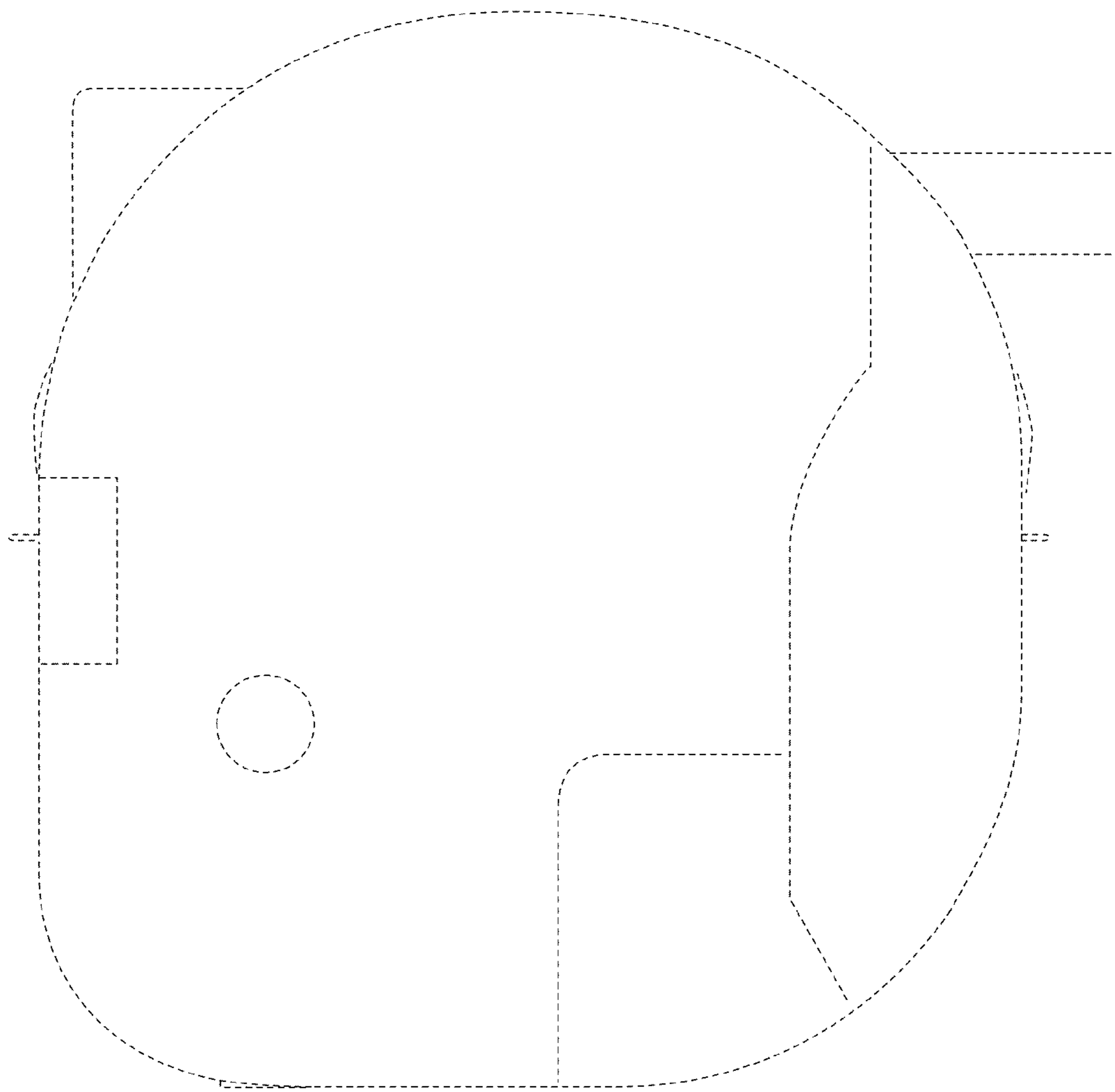


FIG. 4



**FIG. 5**

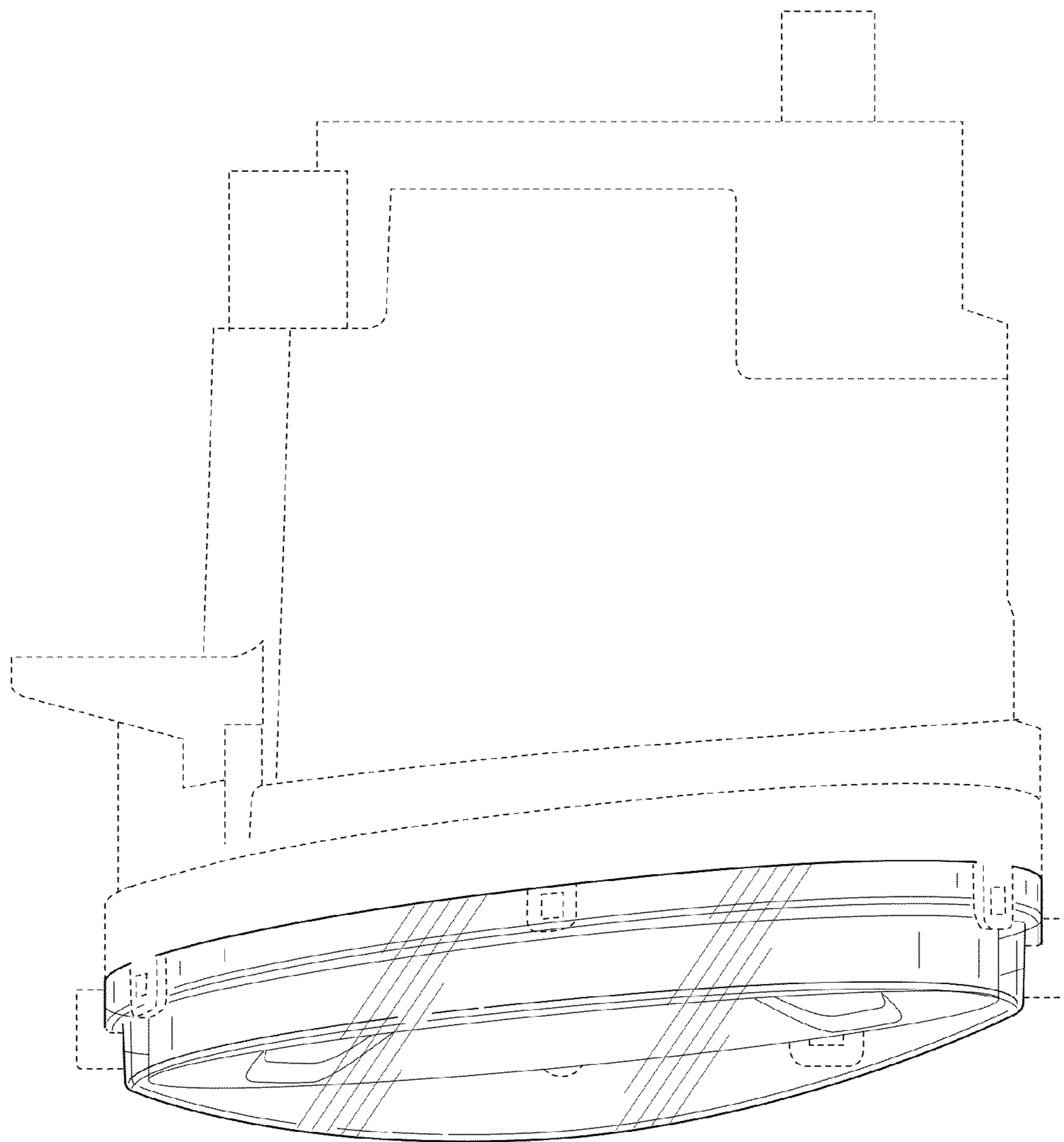
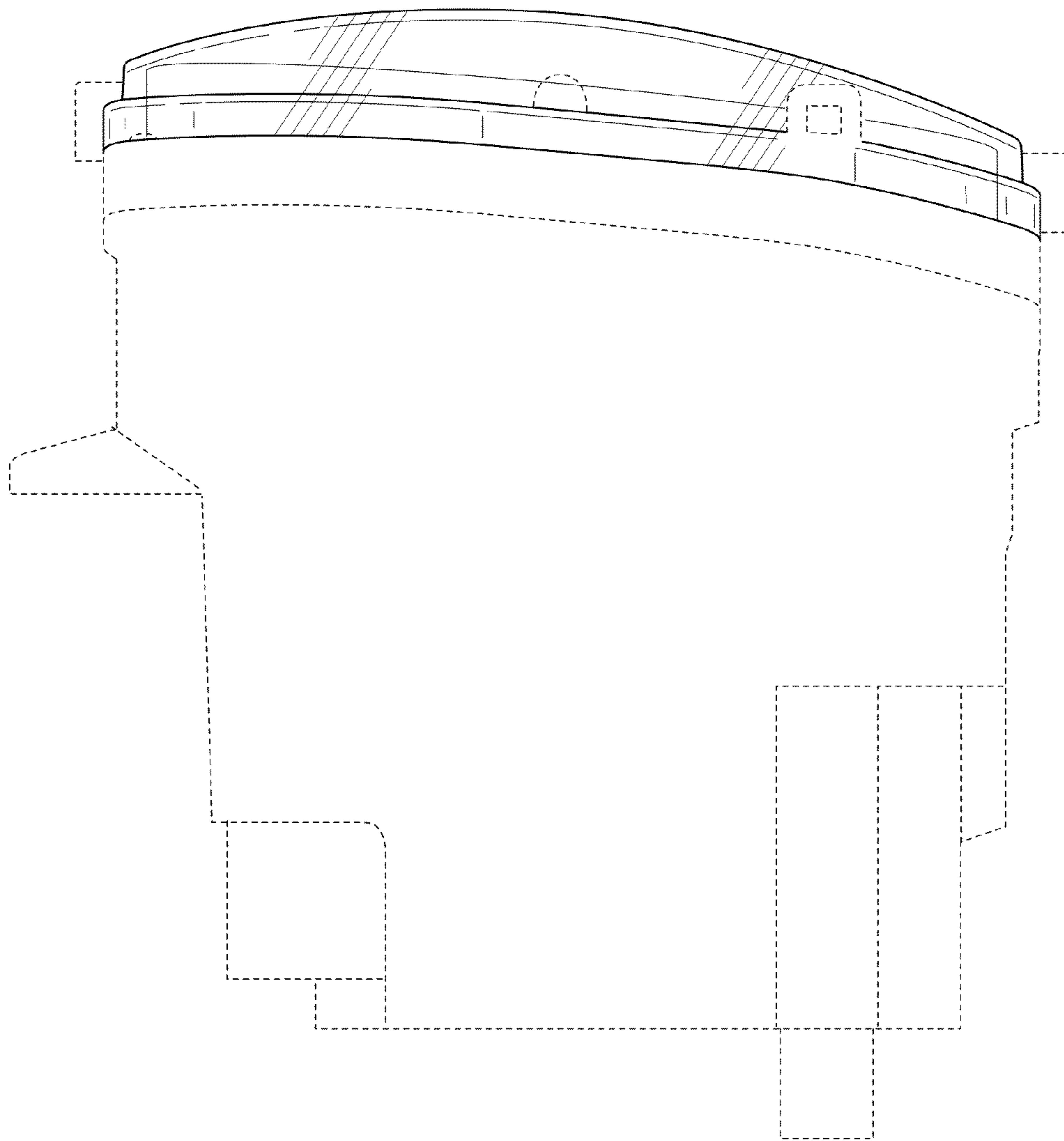


FIG. 6



**FIG. 7**