



US00D741526S

(12) **United States Design Patent**
De Koning et al.

(10) **Patent No.:** **US D741,526 S**
(45) **Date of Patent:** **** Oct. 20, 2015**

(54) **LED MODULE FOR ROAD LIGHTING**

(56) **References Cited**

(71) Applicant: **KONINKLIJKE PHILIPS N.V.**,
Eindhoven (NL)

U.S. PATENT DOCUMENTS

(72) Inventors: **Niels De Koning**, Nijmegen (NL);
Willem Henricus Cornelis Van Den
Corput, Molenhoek (NL); **Walter**
Johannes Marie Goerts, Heesch (NL);
Chrysoula Sismanidou, Eindhoven (NL);
Jing Chen, Shanghai (CN)

D445,924 S * 7/2001 Oh D26/28
D447,826 S * 9/2001 Kang D26/28
D451,218 S * 11/2001 Bernier D26/28
D500,153 S * 12/2004 Stephens et al. D26/28
D630,354 S * 1/2011 Stephens et al. D26/28

* cited by examiner

(73) Assignee: **KONINKLIJKE PHILIPS N.V.**,
Eindhoven (NL)

Primary Examiner — Marcus Jackson

(**) Term: **14 Years**

(57) **CLAIM**

The ornamental design for a LED module for road lighting, as shown.

(21) Appl. No.: **29/490,028**

(22) Filed: **May 6, 2014**

DESCRIPTION

(30) **Foreign Application Priority Data**

Nov. 8, 2013 (EM) 002341305-0001

(51) **LOC (10) Cl.** **26-06**

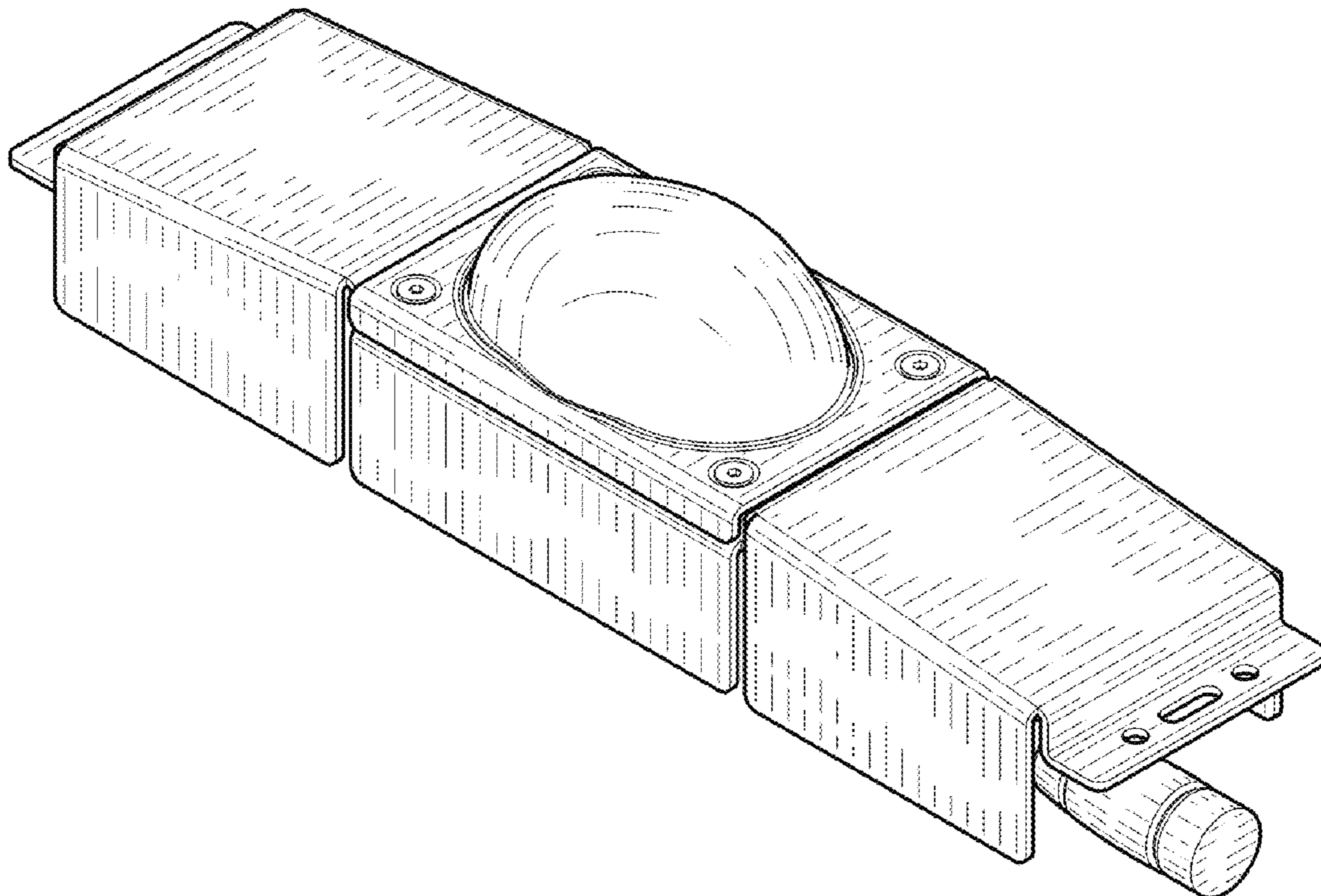
(52) **U.S. Cl.**
USPC **D26/28**

(58) **Field of Classification Search**
USPC D26/28-36; 362/459-468, 475-478,
362/485-487

FIG. 1 is a perspective view showing my design;
FIG. 2 is a front elevational view thereof;
FIG. 3 is a rear elevational view thereof;
FIG. 4 is a right side elevational view thereof;
FIG. 5 is a left side elevational view thereof;
FIG. 6 is a top plan view thereof; and,
FIG. 7 is a bottom plan view thereof.

See application file for complete search history.

1 Claim, 4 Drawing Sheets



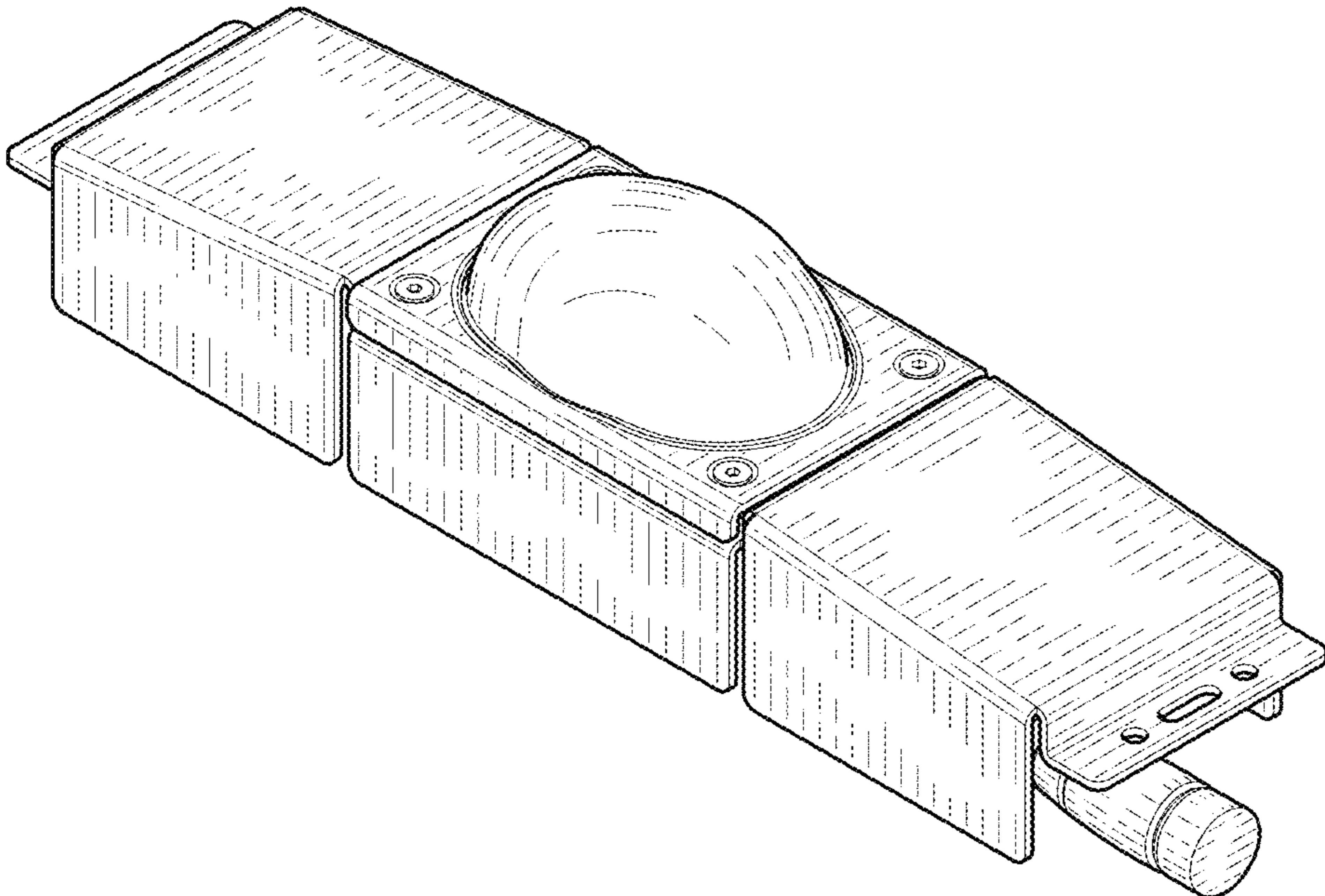


FIG. 1

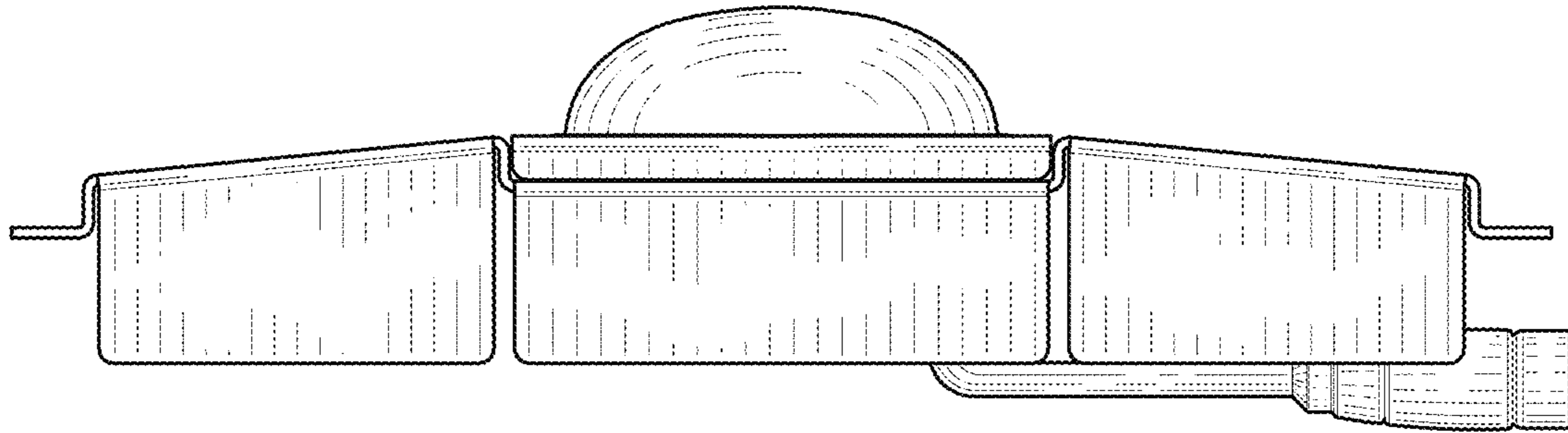


FIG. 2

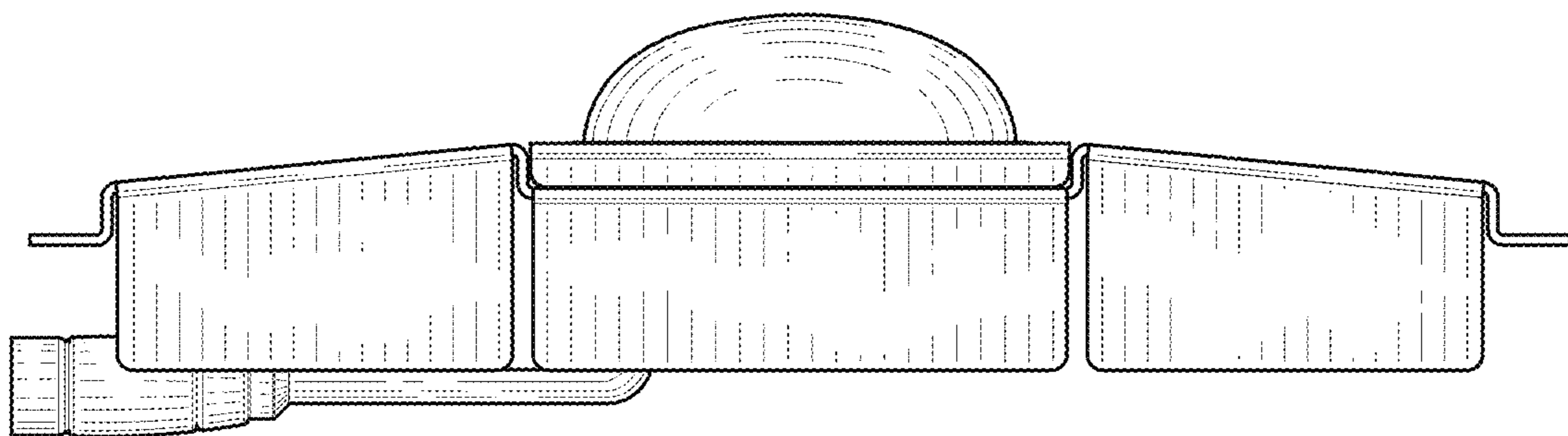


FIG. 3

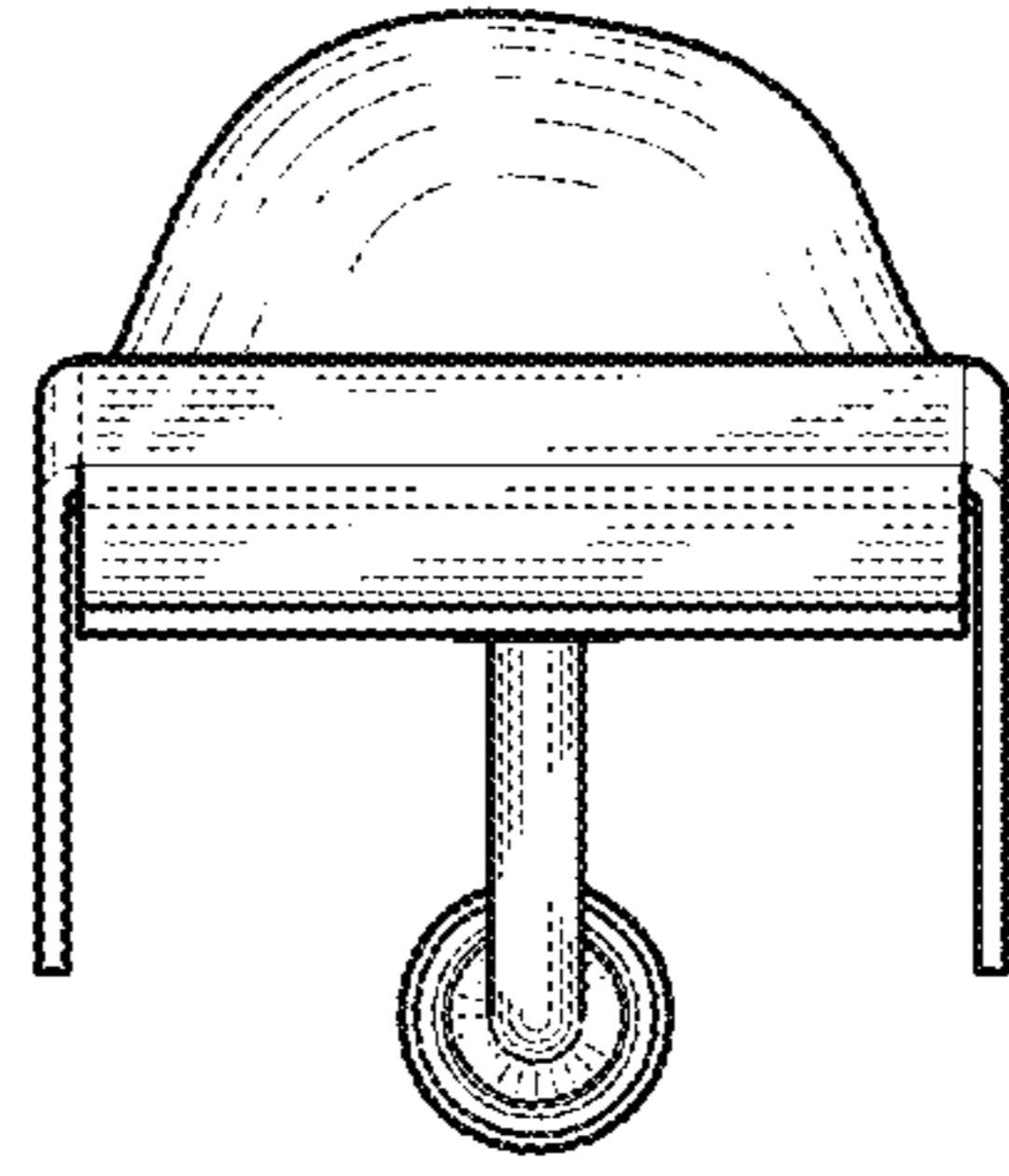


FIG. 4

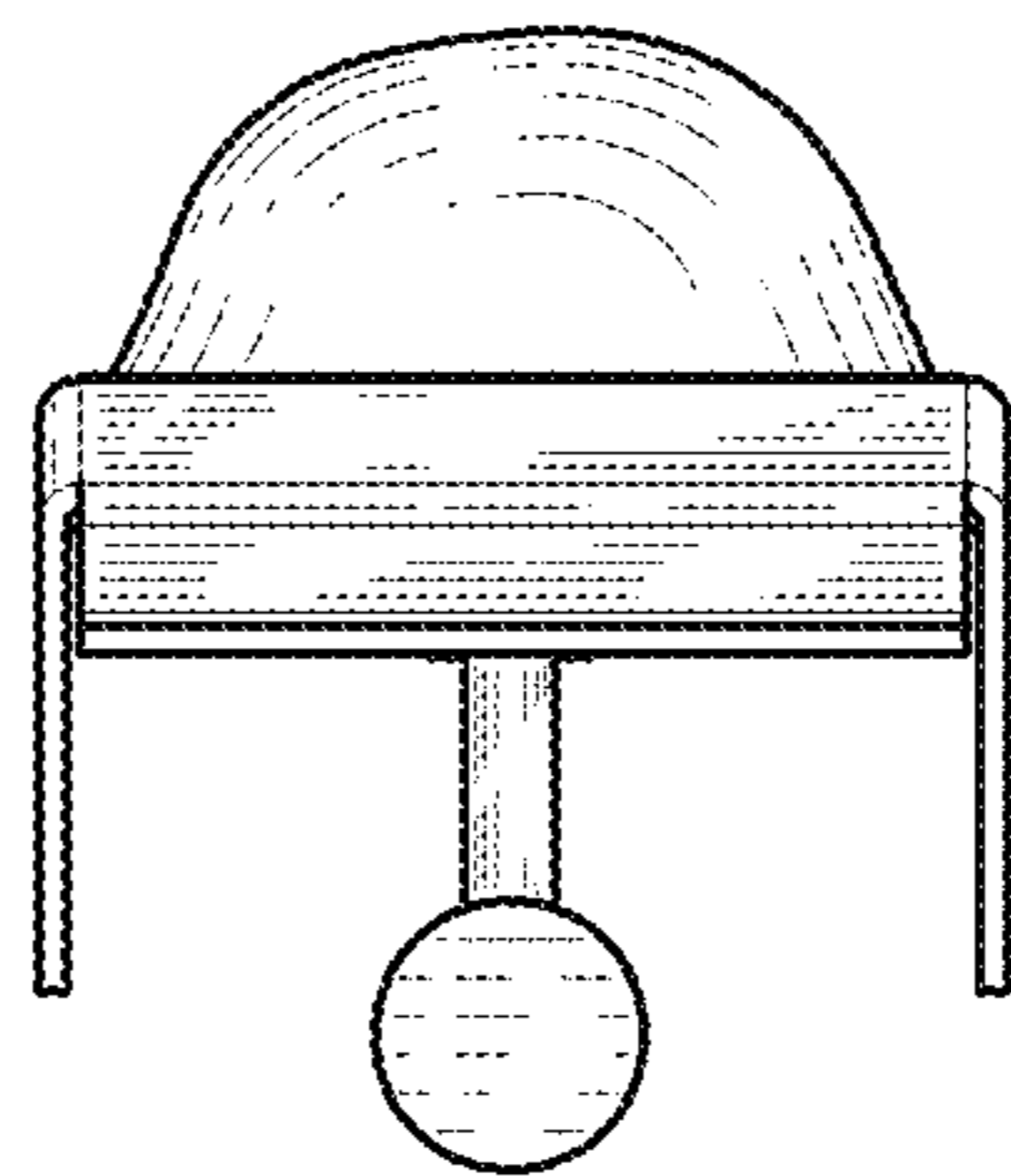


FIG. 5

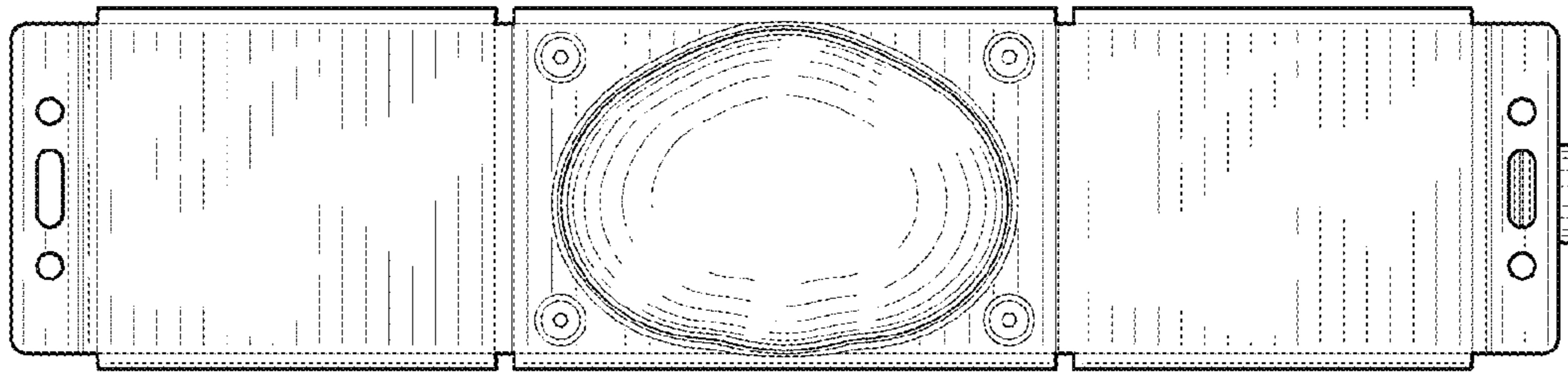


FIG. 6

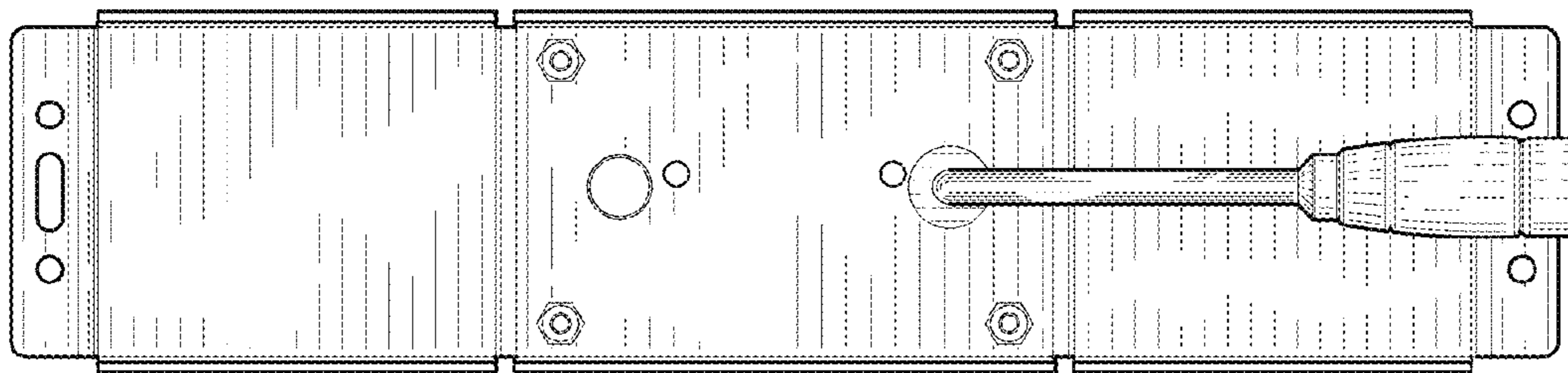


FIG. 7