



US00D741523S

(12) **United States Design Patent**
Sugimoto et al.

(10) **Patent No.:** **US D741,523 S**
(45) **Date of Patent:** **** Oct. 20, 2015**

(54) **COMBINATION LAMP FOR AN
AUTOMOBILE**

(71) Applicants: **Satoru Sugimoto**, Toyota (JP); **Tatsuya
Takei**, Toyota (JP)

(72) Inventors: **Satoru Sugimoto**, Toyota (JP); **Tatsuya
Takei**, Toyota (JP)

(73) Assignee: **Toyota Jidosha Kabushiki Kaisha** (JP)

(**) Term: **14 Years**

(21) Appl. No.: **29/481,200**

(22) Filed: **Feb. 3, 2014**

(30) **Foreign Application Priority Data**

Aug. 9, 2013 (JP) 2013-018306

(51) **LOC (10) Cl.** **26-06**

(52) **U.S. Cl.**
USPC **D26/28**

(58) **Field of Classification Search**

USPC D26/28-36; 362/459-476, 485-487,
362/543-549

CPC F21S 48/2281; F21S 48/00; F21S 48/225;
F21S 48/2268; F21S 48/1233; F21S 48/1266;
F21S 48/1388; F21V 21/04

See application file for complete search history.

(56) **References Cited**

U.S. PATENT DOCUMENTS

D660,485 S * 5/2012 Nishihama D26/28
D702,381 S * 4/2014 Katou et al. D26/28
D715,471 S * 10/2014 Nagasaka et al. D26/28
D717,478 S * 11/2014 Perini D26/28

OTHER PUBLICATIONS

Lexus, Lexus LF-Gh Concept (2011) <http://www.netcarshow.com/lexus/2011-lf-gh_concept/>, available at least as early as May 16, 2013.

Subaru, Subaru WRX Concept (2013) <http://www.netcarshow.com/subaru/2013-wrx_concept/>, available at least as early as May 16, 2013.

Mercedes-Benz, Mercedes-Benz GLA Concept (2013) <http://www.netcarshow.com/mercedes-benz/2013-gla_concept/>, available at least as early as May 16, 2013.

* cited by examiner

Primary Examiner — Cynthia Ramirez

Assistant Examiner — Llorellys Martinez-Rivera

(74) *Attorney, Agent, or Firm* — Saidman DesignLaw Group, LLC

(57) **CLAIM**

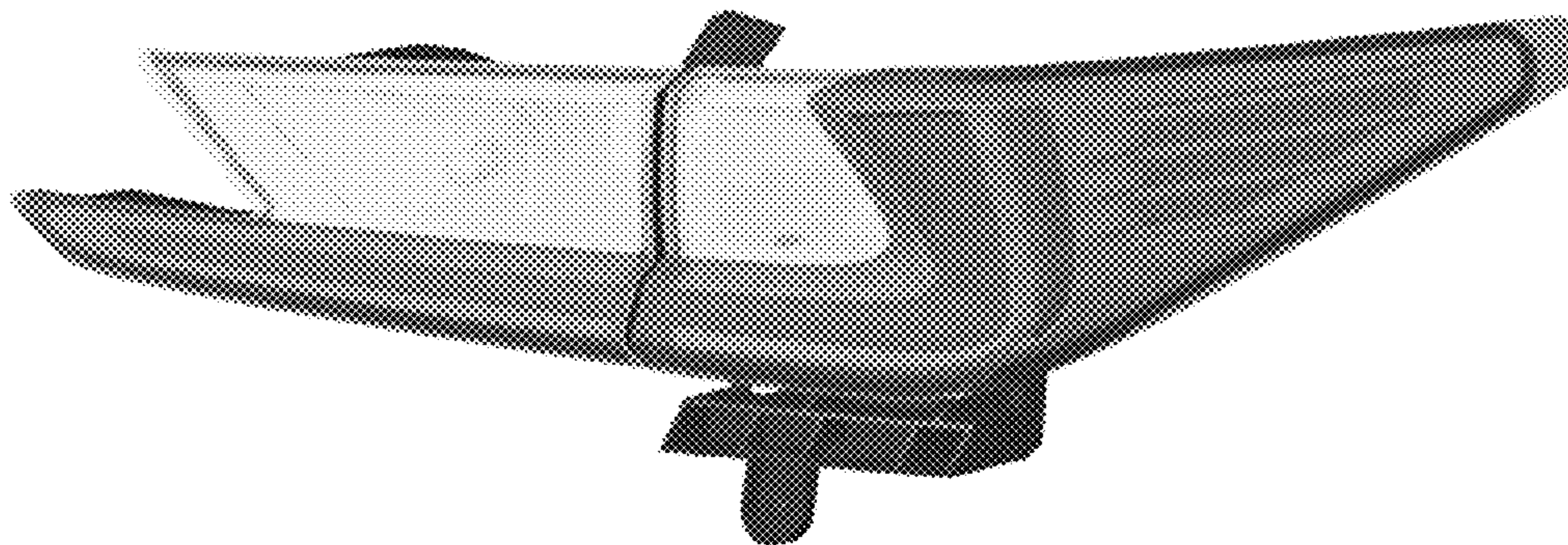
The ornamental design for a combination lamp for an automobile, as shown and described.

DESCRIPTION

FIG. 1 is a perspective view of a combination lamp for an automobile showing our new design; FIG. 2 is a front view thereof; FIG. 3 is a rear view thereof; FIG. 4 is a top view thereof; FIG. 5 is a bottom view thereof; FIG. 6 is a left side view thereof; and, FIG. 7 is a right side view thereof.

The drawings include shadows and reflections, which indicate contour not surface ornamentation.

1 Claim, 4 Drawing Sheets



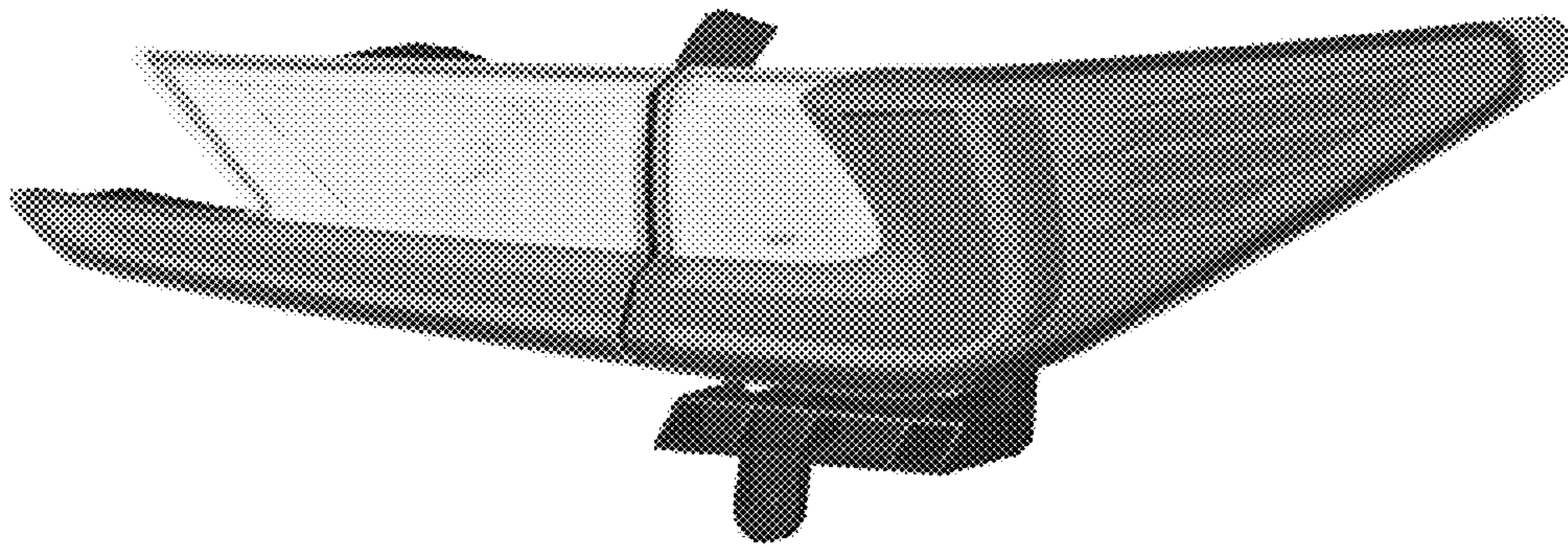


FIG. 1

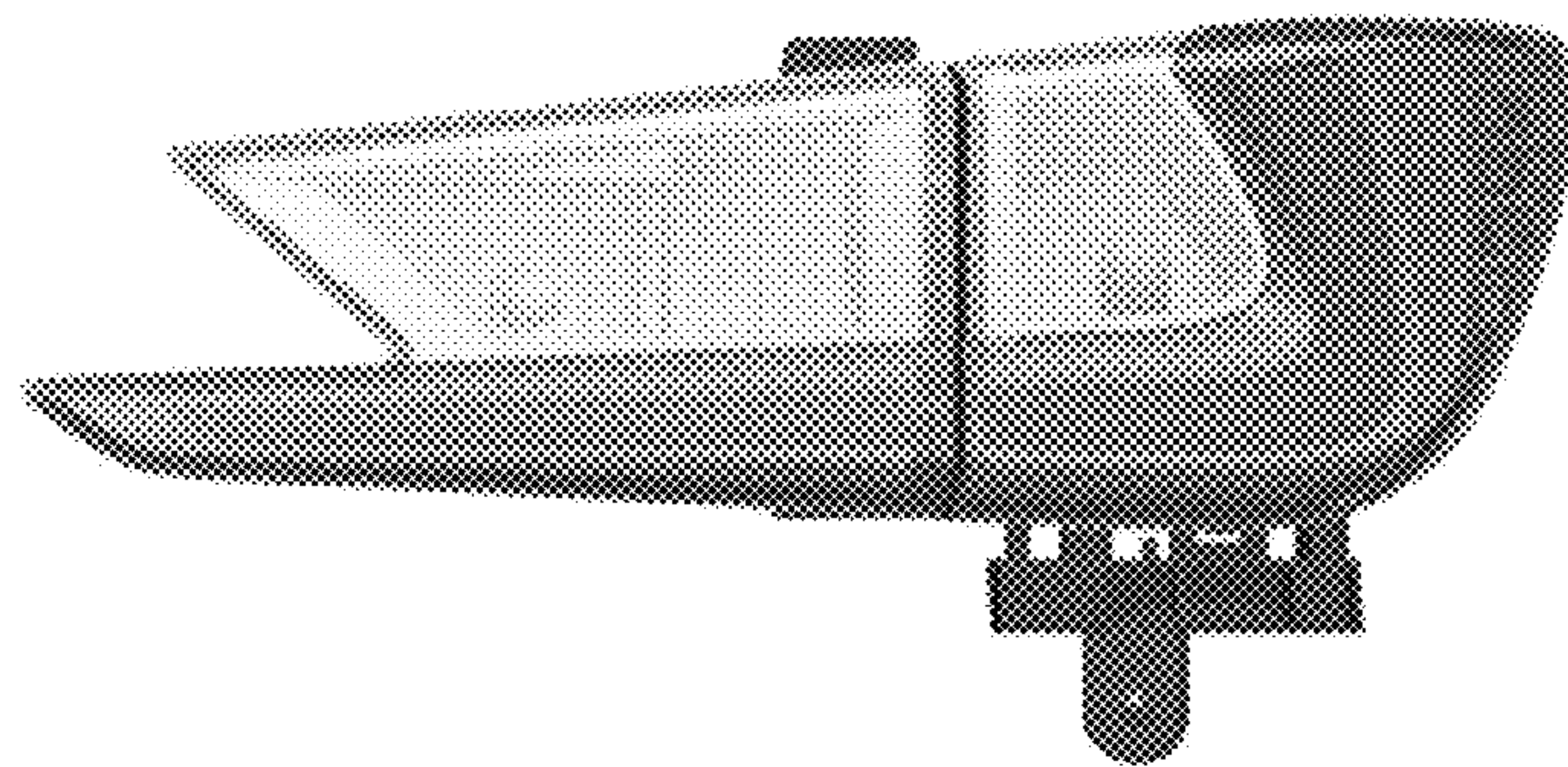


FIG. 2

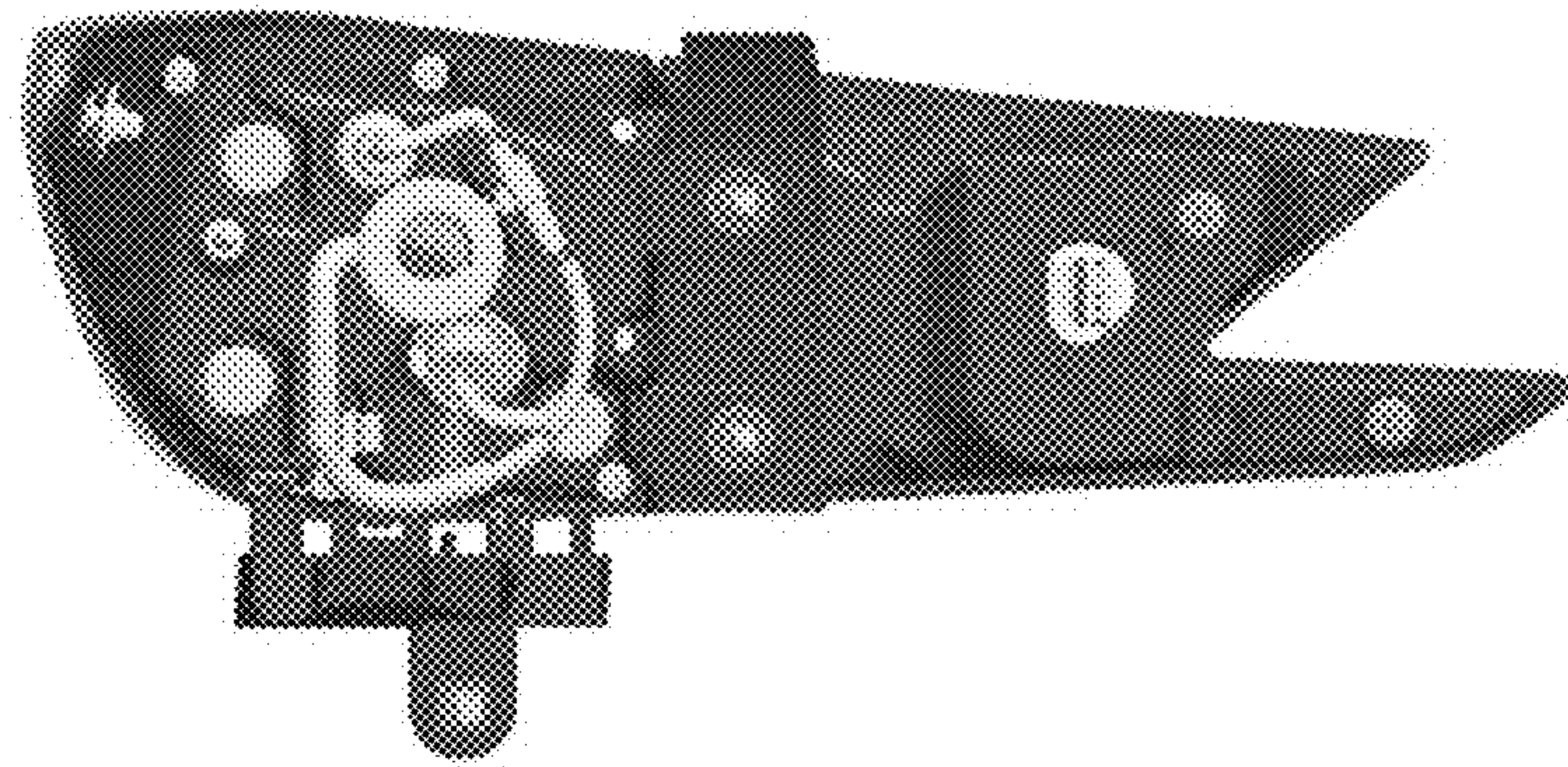


FIG. 3

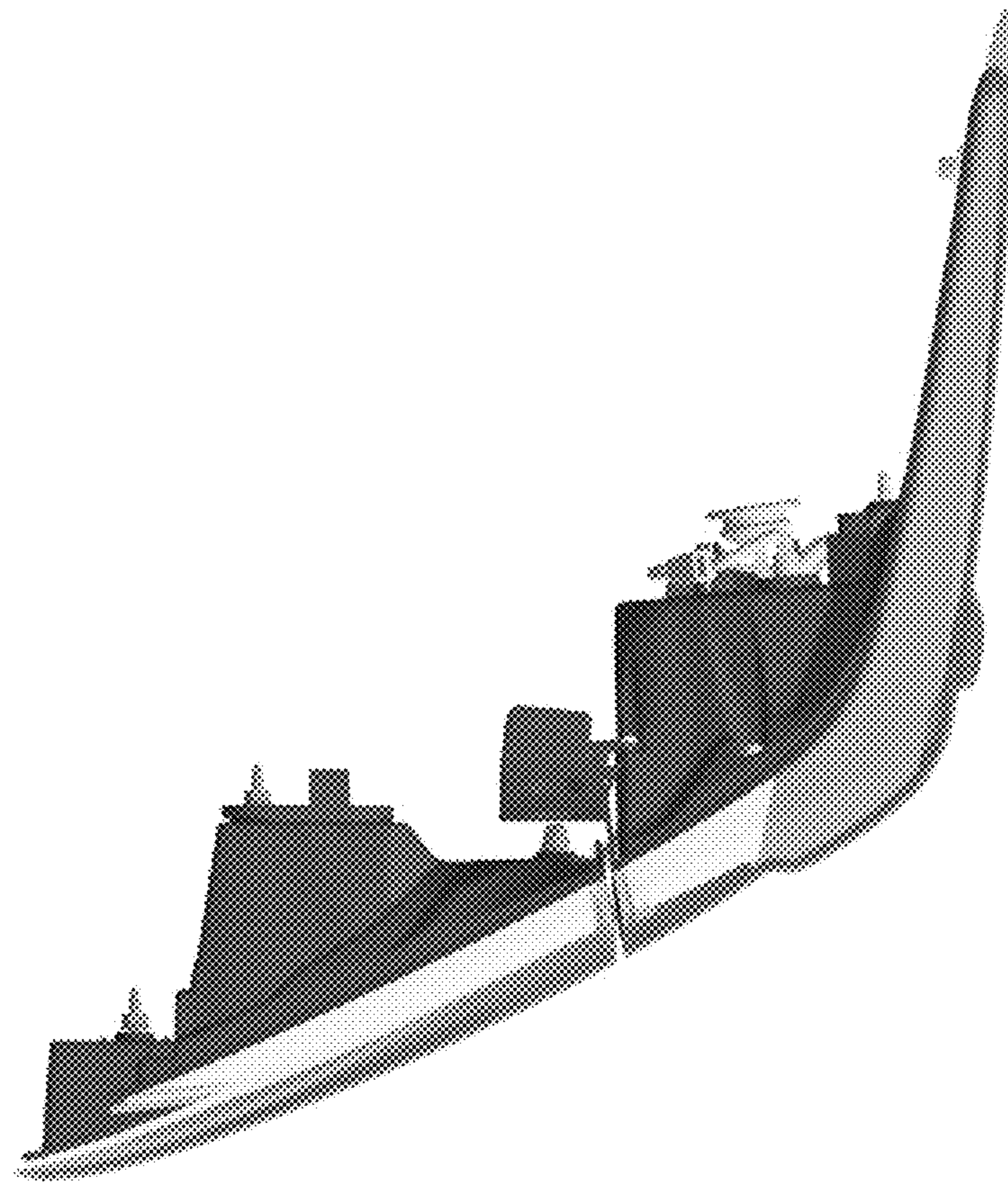


FIG. 4

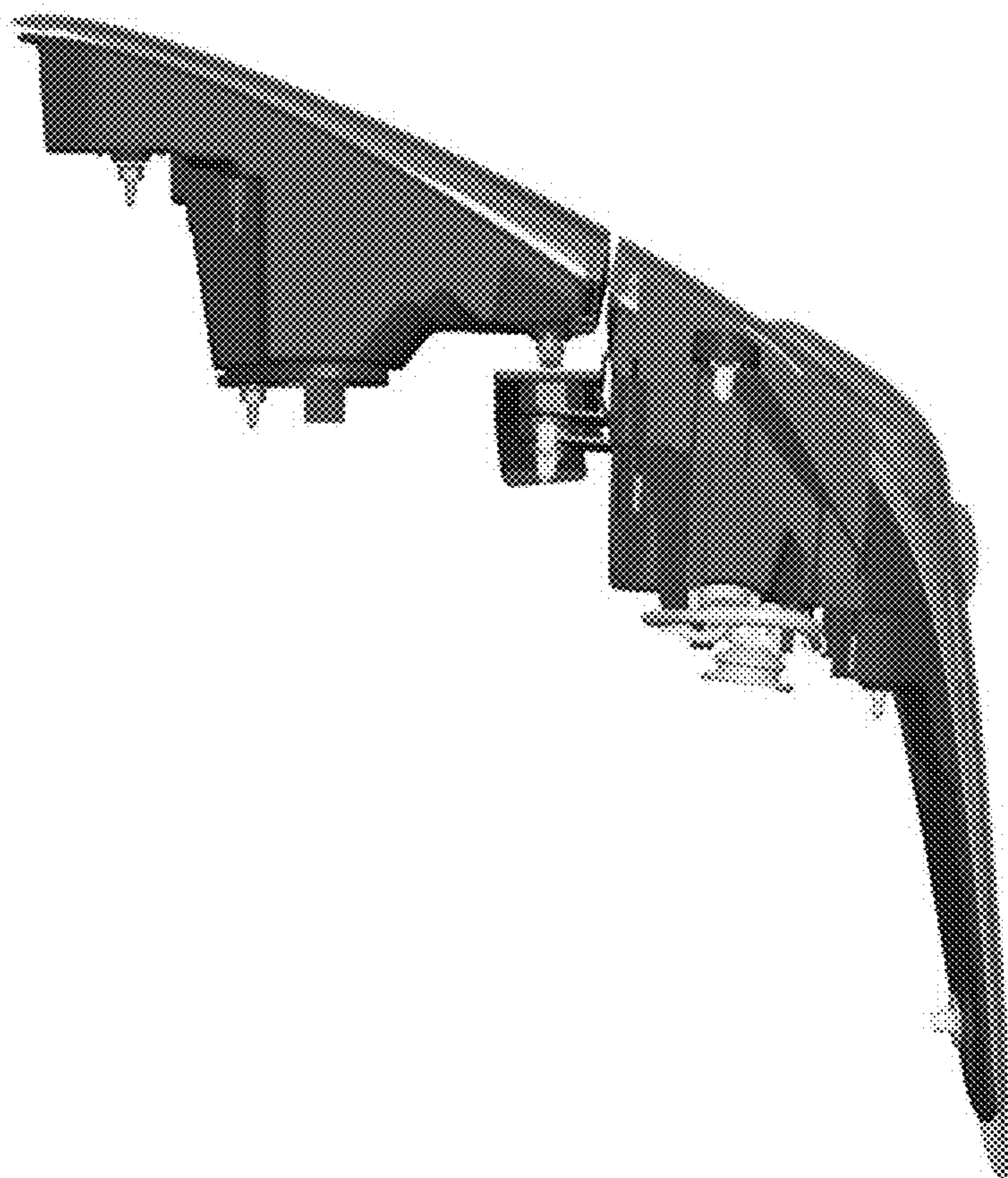


FIG. 5

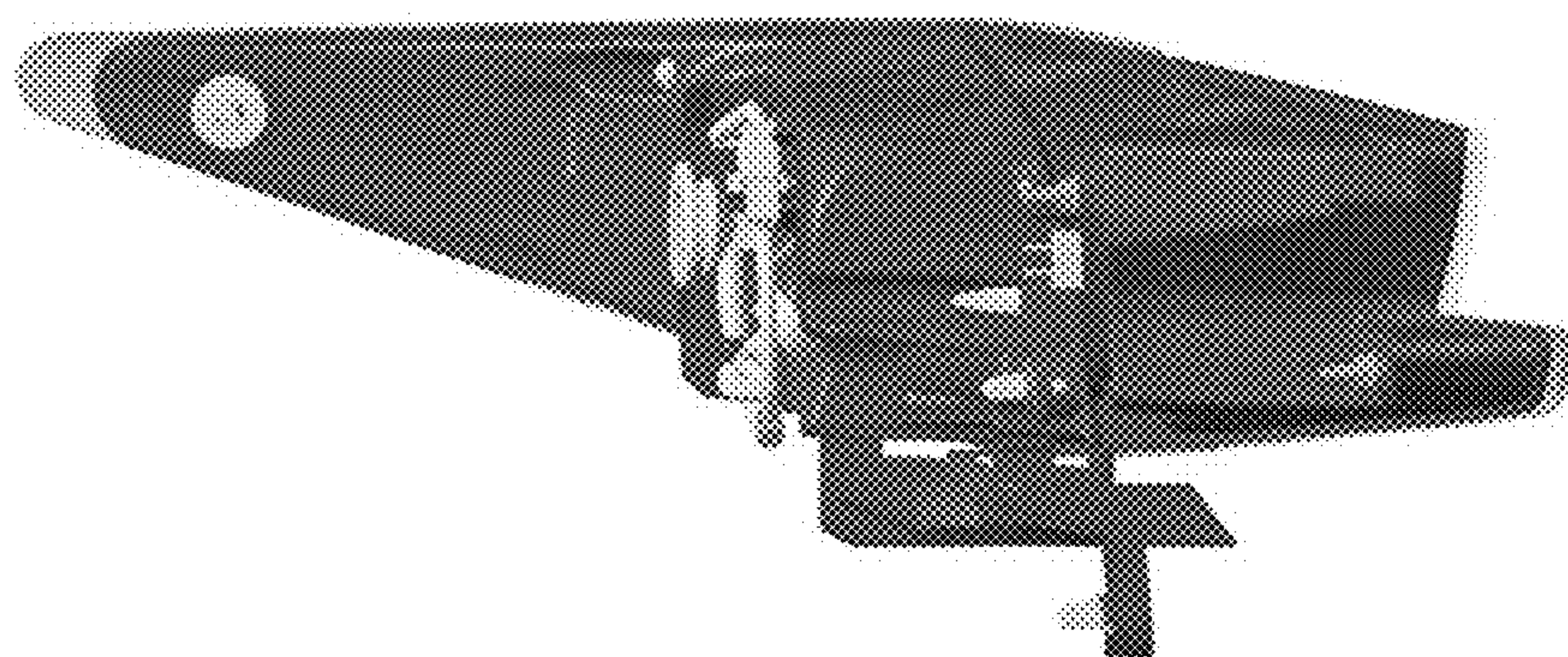


FIG. 6

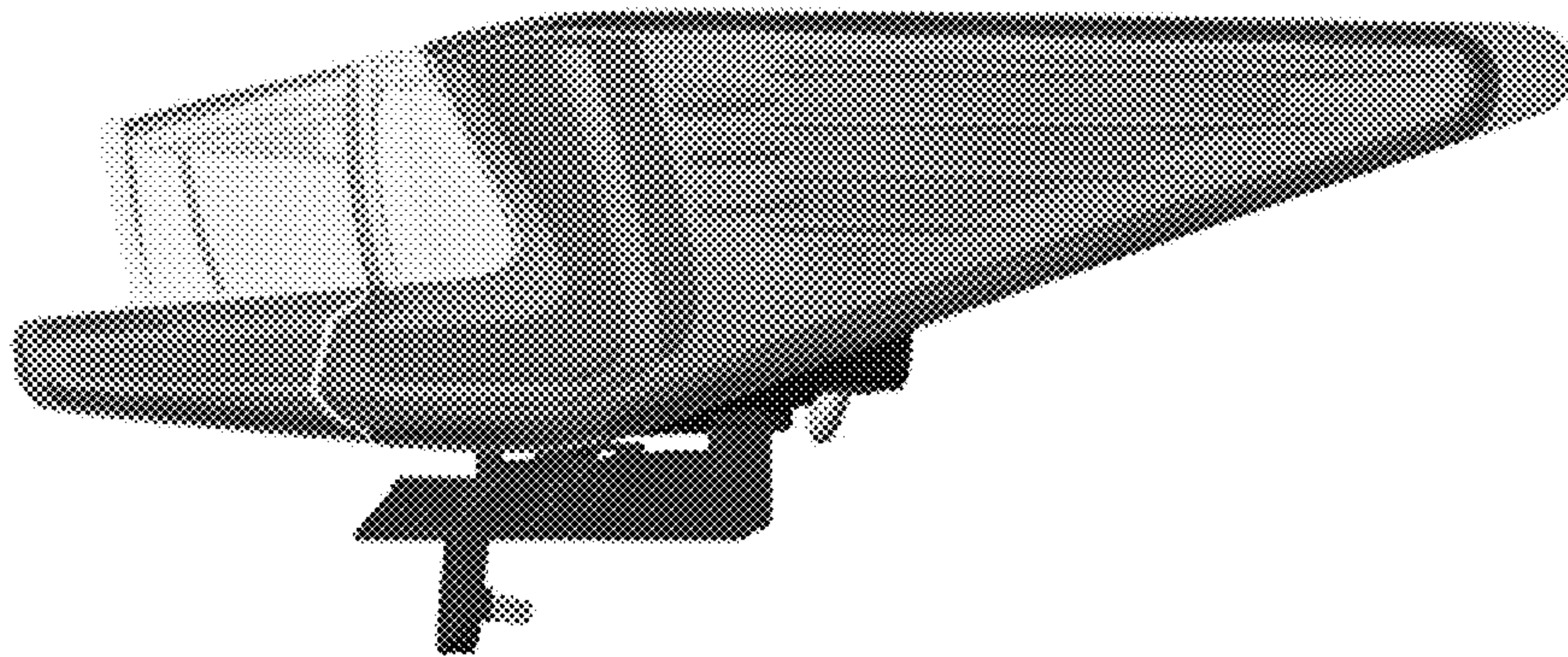


FIG. 7