



US00D741521S

(12) **United States Design Patent**
Sagawa

(10) **Patent No.:** **US D741,521 S**
(45) **Date of Patent:** **** Oct. 20, 2015**

(54) **REAR COMBINATION LAMP FOR
AUTOMOBILE**

(71) Applicant: **HONDA MOTOR CO., LTD.**, Tokyo
(JP)

(72) Inventor: **Masahiro Sagawa**, Wako (JP)

(73) Assignee: **HONDA MOTOR CO., LTD.**, Tokyo
(JP)

(**) Term: **14 Years**

(21) Appl. No.: **29/468,726**

(22) Filed: **Oct. 2, 2013**

(30) **Foreign Application Priority Data**

Apr. 5, 2013 (JP) 2013-007738

(51) **LOC (10) Cl.** **26-06**

(52) **U.S. Cl.**
USPC **D26/28**

(58) **Field of Classification Search**
USPC D26/28-36; 362/459-468, 475-478,
362/485-487
CPC B60Q 1/26; B60Q 3/044; B60Q 1/50;
B60Q 1/32; B60Q 1/34; F21S 48/24; F21S
48/2225

See application file for complete search history.

(56) **References Cited**

U.S. PATENT DOCUMENTS

D592,333	S	*	5/2009	Hsu	D26/28
D631,585	S	*	1/2011	Koizumi	D26/28
D650,500	S	*	12/2011	Futschik et al.	D26/28
D654,197	S	*	2/2012	Szews et al.	D26/28
D657,894	S	*	4/2012	Frenzel et al.	D26/28
2014/0301099	A1	*	10/2014	Watanabe et al.	362/511

* cited by examiner

Primary Examiner — Wan Laymon

(74) *Attorney, Agent, or Firm* — Westerman, Hattori,
Daniels & Adrian, LLP

(57) **CLAIM**

The ornamental design for a rear combination lamp for automobile, as shown and described.

DESCRIPTION

FIG. 1 is a perspective view from the front left side of a rear combination lamp for automobile.

FIG. 2 is a perspective view from the front right side thereof.

FIG. 3 is a front elevation view thereof.

FIG. 4 is a left side elevation view thereof; and,

FIG. 5 is a top plan view thereof.

The portions of the rear combination lamp shown in broken lines are for the purpose of showing environmental structure only and form no part of me claimed design.

1 Claim, 5 Drawing Sheets

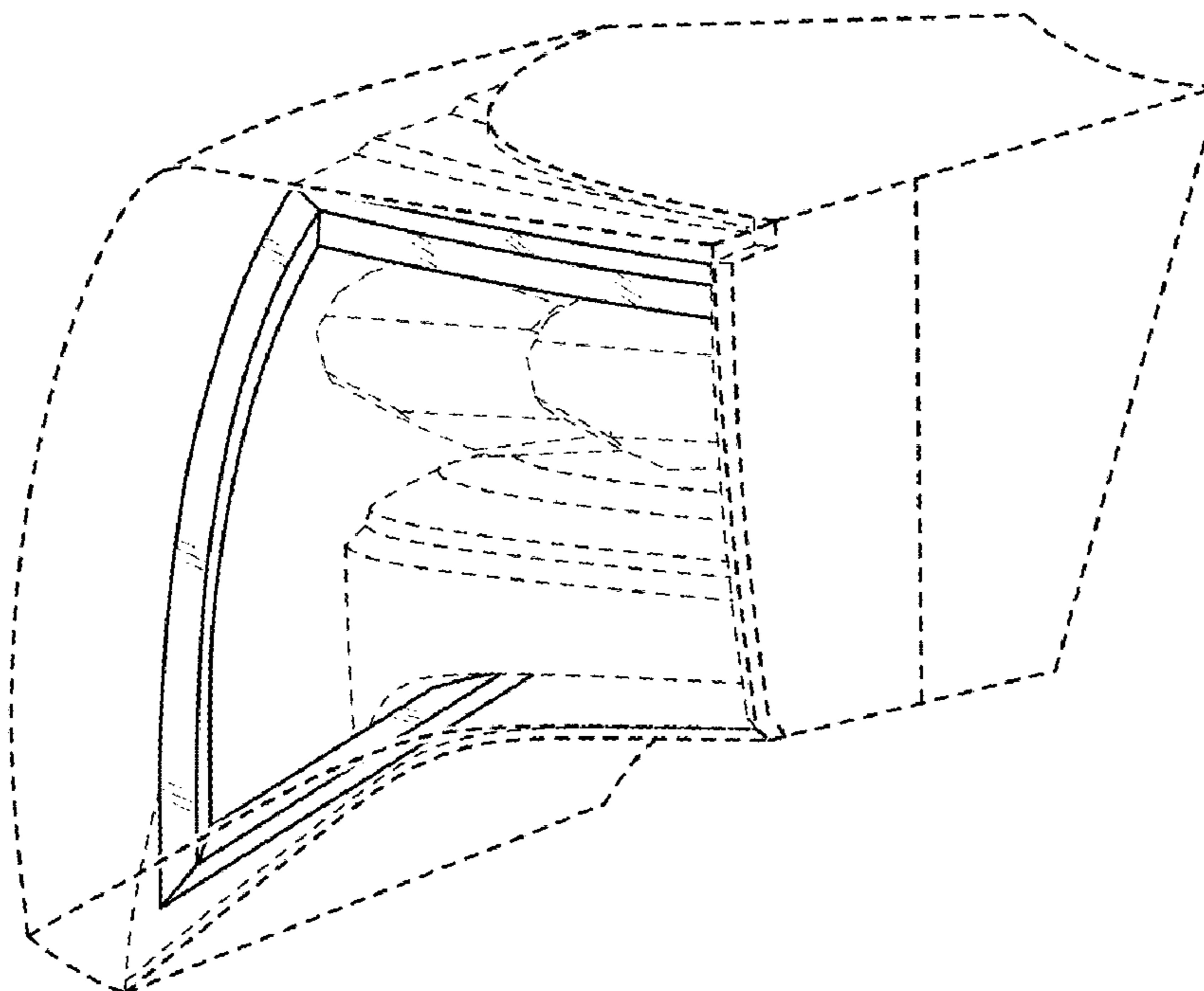


FIG. 1

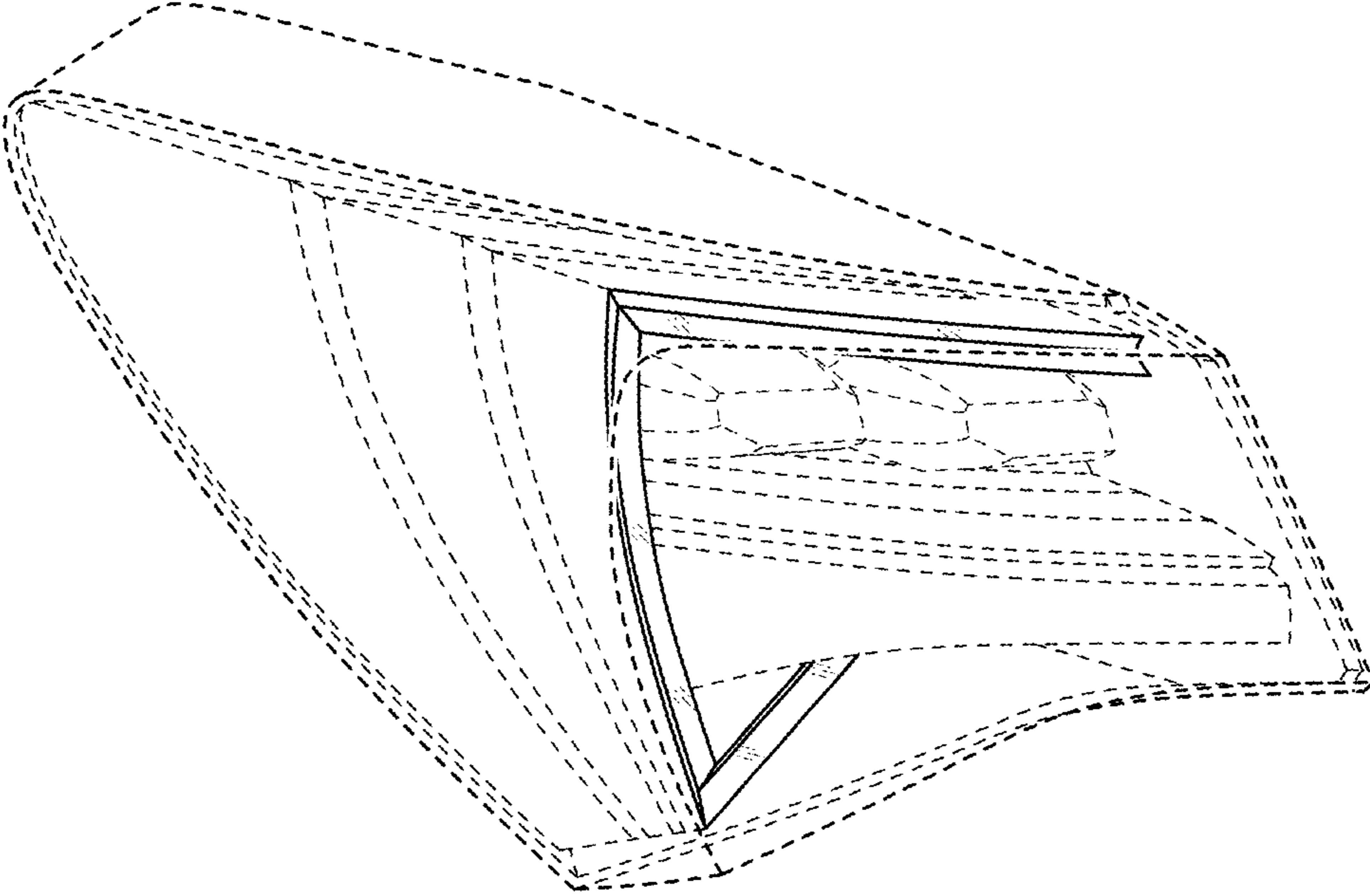


FIG. 2

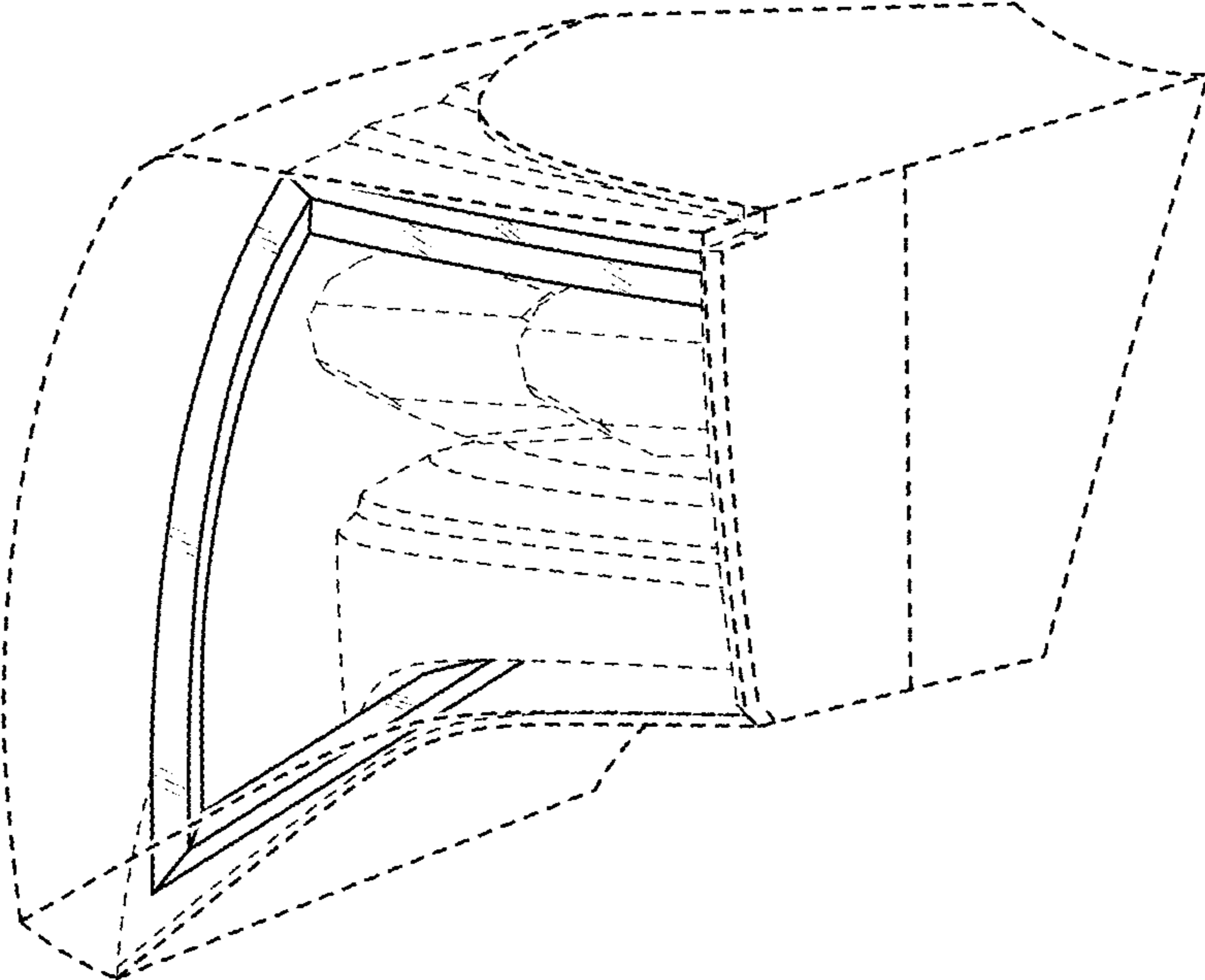


FIG. 3

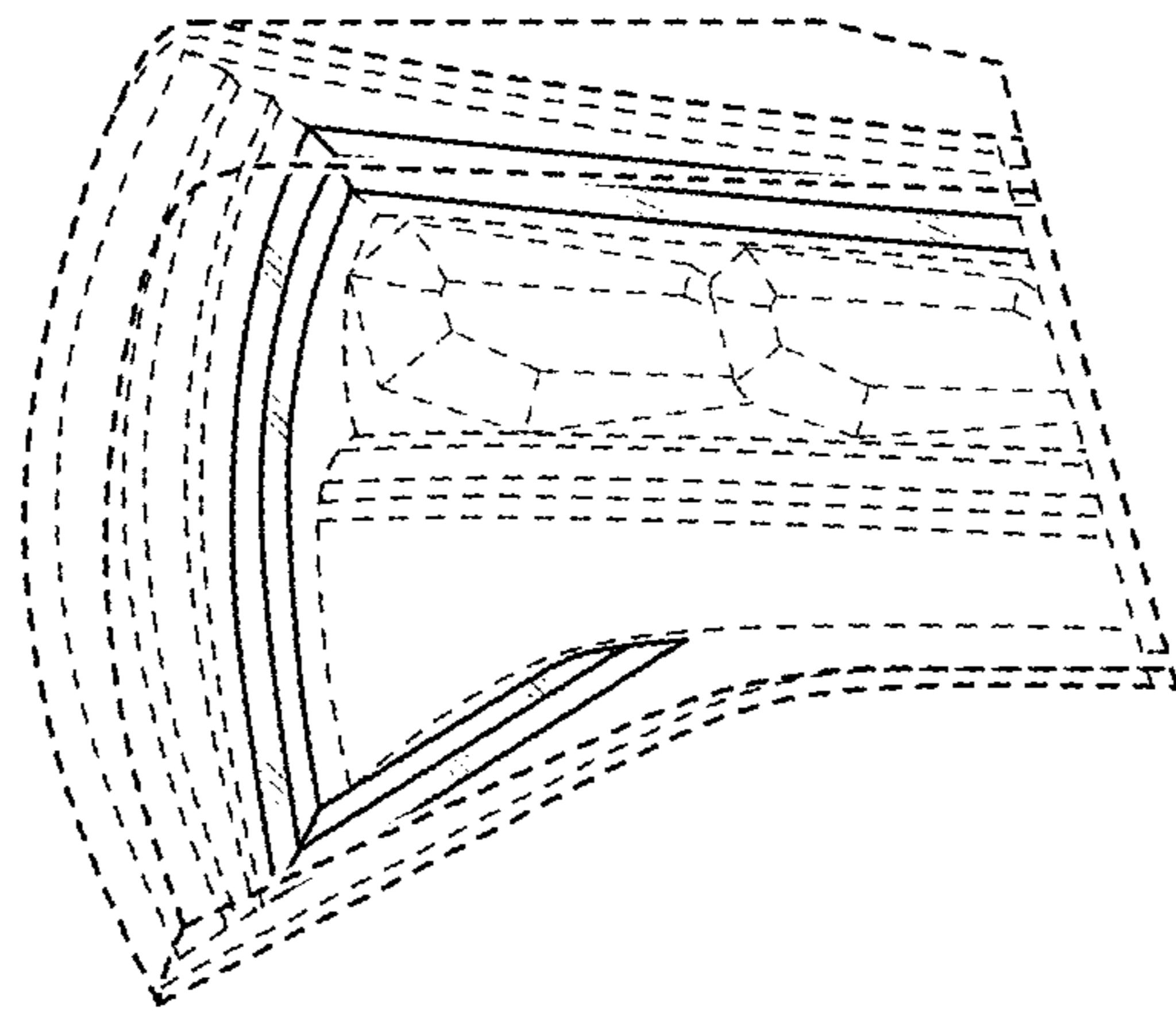


FIG. 4

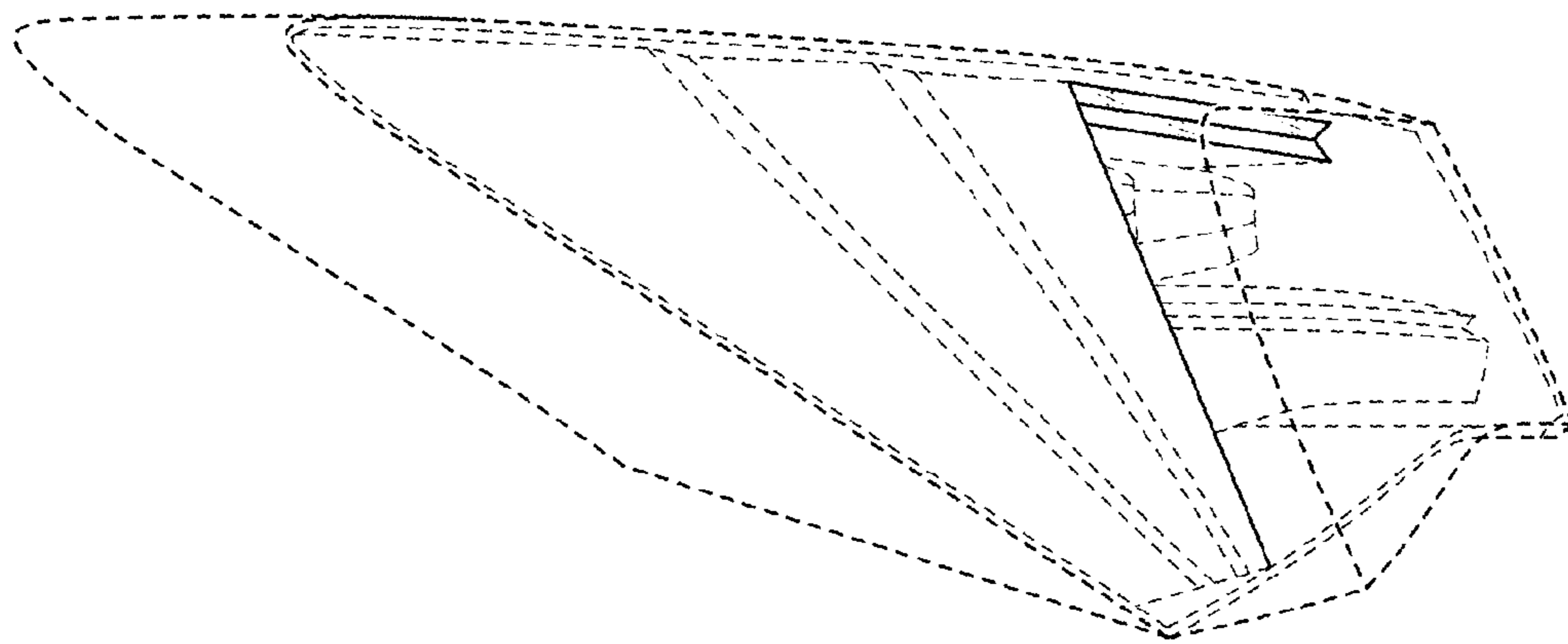


FIG. 5

