



US00D741520S

(12) **United States Design Patent**
Bain Smith

(10) **Patent No.:** **US D741,520 S**
(45) **Date of Patent:** **** Oct. 20, 2015**

(54) **ELECTRIC LAMP**

(71) Applicant: **James Bain Smith**, Nr. Ashford (GB)

(72) Inventor: **James Bain Smith**, Nr. Ashford (GB)

(**) Term: **14 Years**

(21) Appl. No.: **29/442,506**

(22) Filed: **Mar. 15, 2013**

(51) **LOC (10) Cl.** **26-06**

(52) **U.S. Cl.**
USPC **D26/28**

(58) **Field of Classification Search**
USPC D26/28-36; 362/459-468, 475-478,
362/485-487

CPC F21S 48/00; F21S 48/10; F21S 48/115;
F21S 48/225; F21S 48/1233; F21S 48/1266;
F21S 48/1388; F21S 48/2268; F21V 21/04
See application file for complete search history.

(56) **References Cited**

U.S. PATENT DOCUMENTS

D560,016 S 1/2008 Arndt et al.
D570,009 S * 5/2008 Kani et al. D26/28

D601,727 S * 10/2009 Huang D26/28
D605,789 S * 12/2009 Ko D26/28
D626,670 S * 11/2010 Metzger et al. D26/28
D657,081 S * 4/2012 Alisaukas et al. D26/28
D670,839 S * 11/2012 Smarslik D26/28
D693,035 S * 11/2013 Datz et al. D26/28
2005/0168994 A1 8/2005 Jacobson et al.

* cited by examiner

Primary Examiner — Marcus Jackson

(74) *Attorney, Agent, or Firm* — Sue Z. Shaper

(57) **CLAIM**

The ornamental design for an electric lamp, as shown and described.

DESCRIPTION

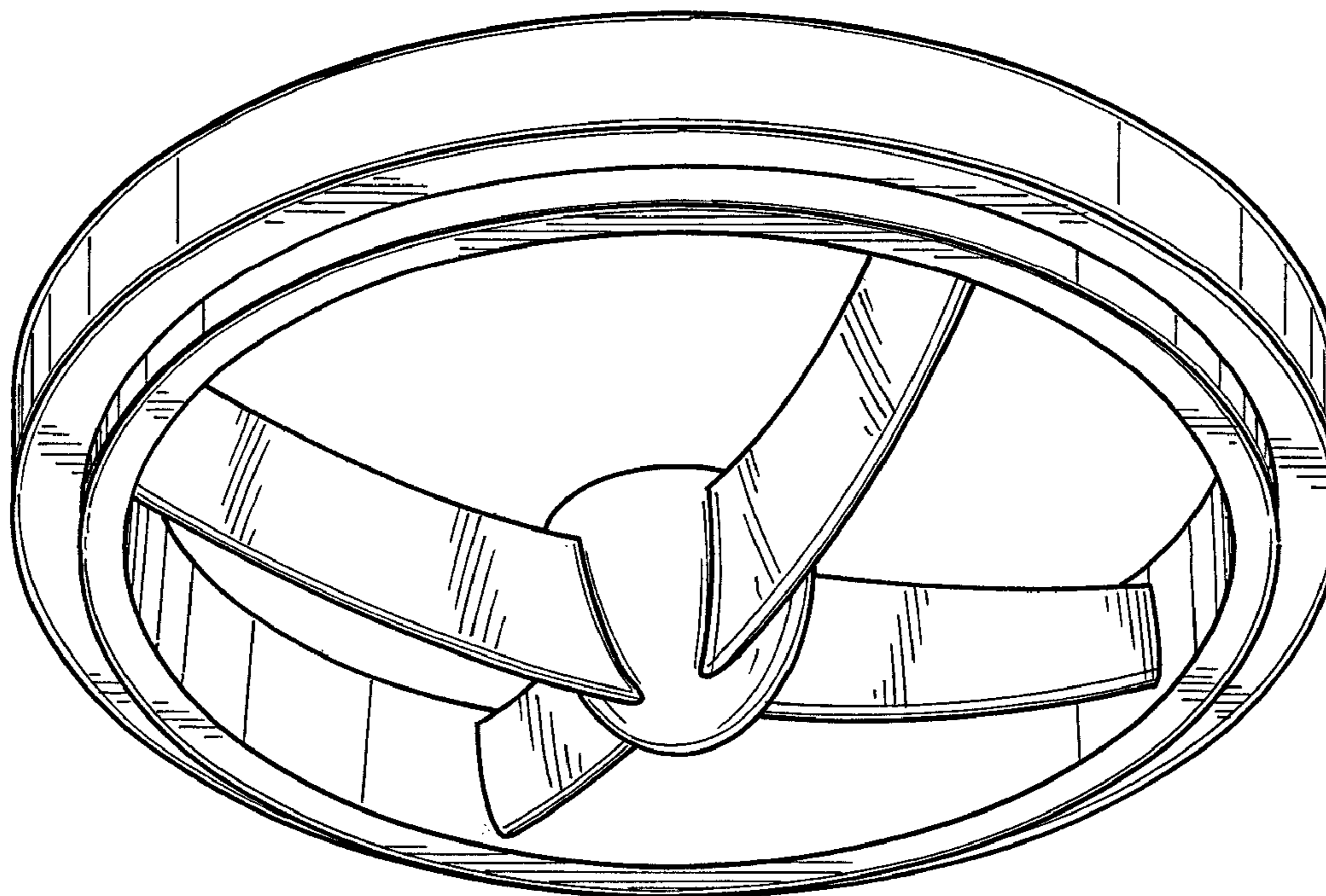
FIG. 1 is a perspective view from the front of the electric lamp; and,

FIG. 2 is a right side view thereof.

The broken lines illustrated in FIG. 2 form no part of the claimed design.

The electric lamp is a reflecting semiconductor light.

1 Claim, 1 Drawing Sheet



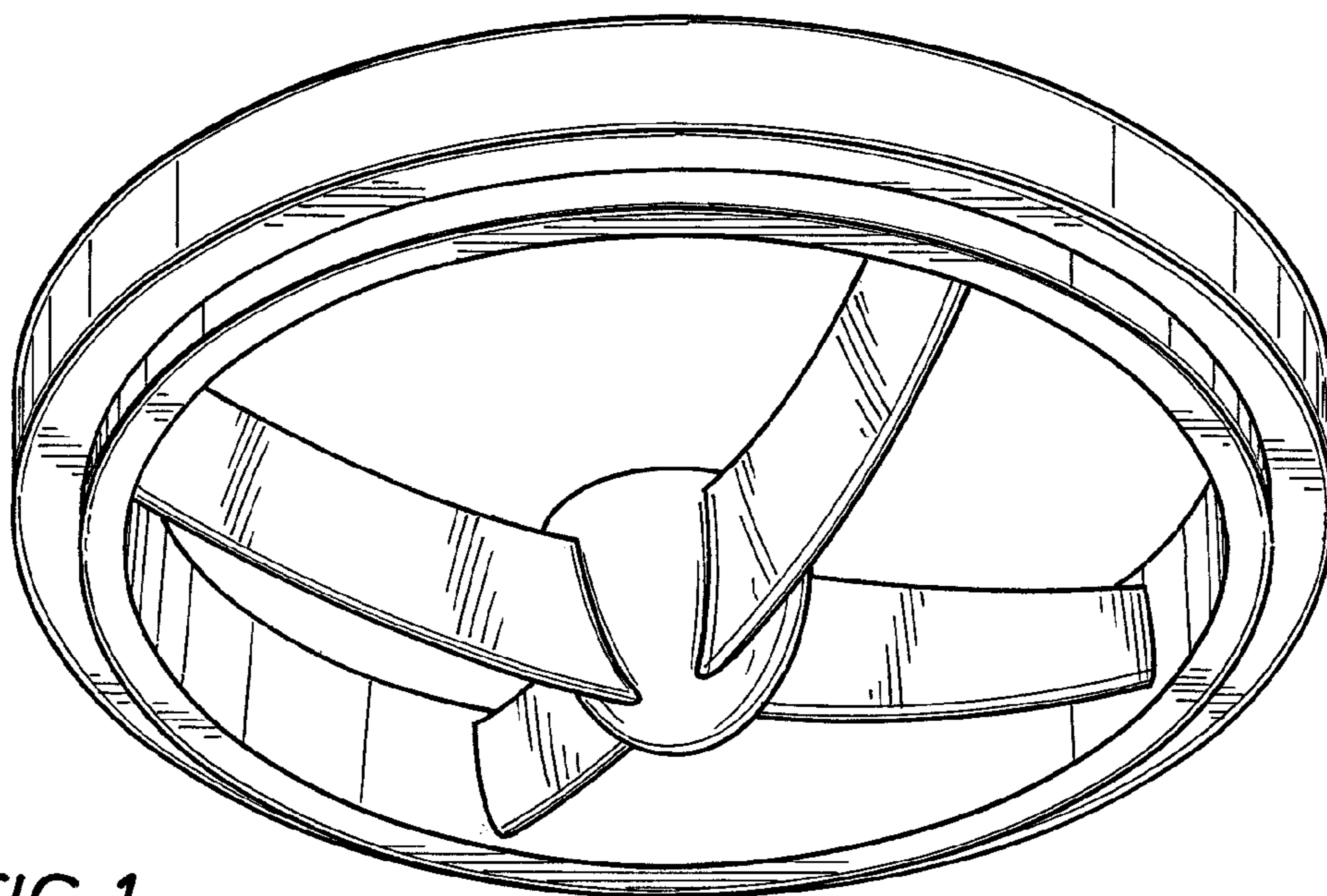


FIG. 1

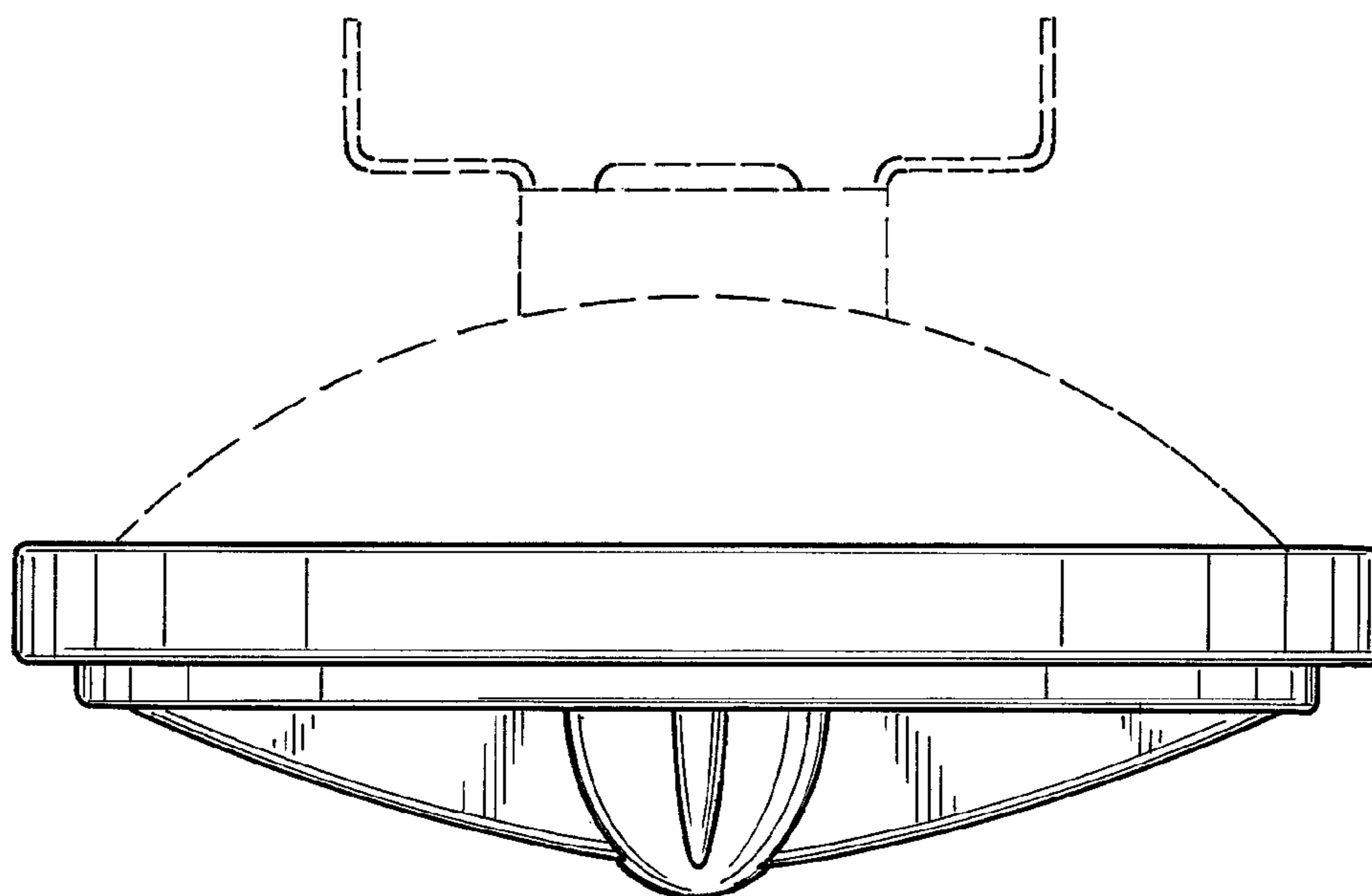


FIG. 2