



US00D741518S

(12) **United States Design Patent**
Hwang et al.

(10) **Patent No.:** **US D741,518 S**
(45) **Date of Patent:** **** Oct. 20, 2015**

(54) **LED BULB**

(71) Applicant: **Samsung Electronics Co., Ltd.**,
Suwon-si, Gyeonggi-Do (KR)

(72) Inventors: **Won-Chul Hwang**, Seoul (KR);
Hwan-Woong Choi, Seoul (KR)

(73) Assignee: **SAMSUNG ELECTRONICS CO., LTD.** (KR)

(**) Term: **14 Years**

(21) Appl. No.: **29/501,949**

(22) Filed: **Sep. 10, 2014**

(30) **Foreign Application Priority Data**

Mar. 14, 2014 (KR) 30-2014-0012951

(51) **LOC (10) Cl.** **26-04**

(52) **U.S. Cl.**
USPC **D26/2**

(58) **Field of Classification Search**
USPC D26/1-4; 313/313, 315, 316, 317, 318,
313/493; 315/52, 53, 56, 57, 58
See application file for complete search history.

(56) **References Cited**

U.S. PATENT DOCUMENTS

D508,575 S * 8/2005 Buschmann et al. D26/2
D544,618 S * 6/2007 Coughaine D26/37

D610,271 S * 2/2010 Bi D26/2
D616,120 S * 5/2010 Wada et al. D26/2
D617,918 S * 6/2010 Yamamoto et al. D26/2
D631,569 S * 1/2011 Bobel D26/2
D631,571 S * 1/2011 Bobel D26/2

* cited by examiner

Primary Examiner — Marcus Jackson

(74) *Attorney, Agent, or Firm* — Cantor Colburn LLP

(57) **CLAIM**

The ornamental design for a LED bulb, as shown and described.

DESCRIPTION

FIG. 1 is a perspective view of a LED bulb, showing our new design;

FIG. 2 is a front view thereof;

FIG. 3 is a rear view thereof;

FIG. 4 is a side view thereof;

FIG. 5 is a another side view thereof;

FIG. 6 is a top view thereof;

FIG. 7 is a bottom view thereof;

FIG. 8 is a cross-sectional view thereof taken along line 8-8 of FIG. 2; and,

FIG. 9 is a partial rear perspective view thereof showing a lens portion.

The broken lines in the figures are for environmental purposes only and form no part of the claimed design.

The dot-dash broken lines in the figures represent an unclaimed boundary line and form no part of the claimed design.

1 Claim, 9 Drawing Sheets

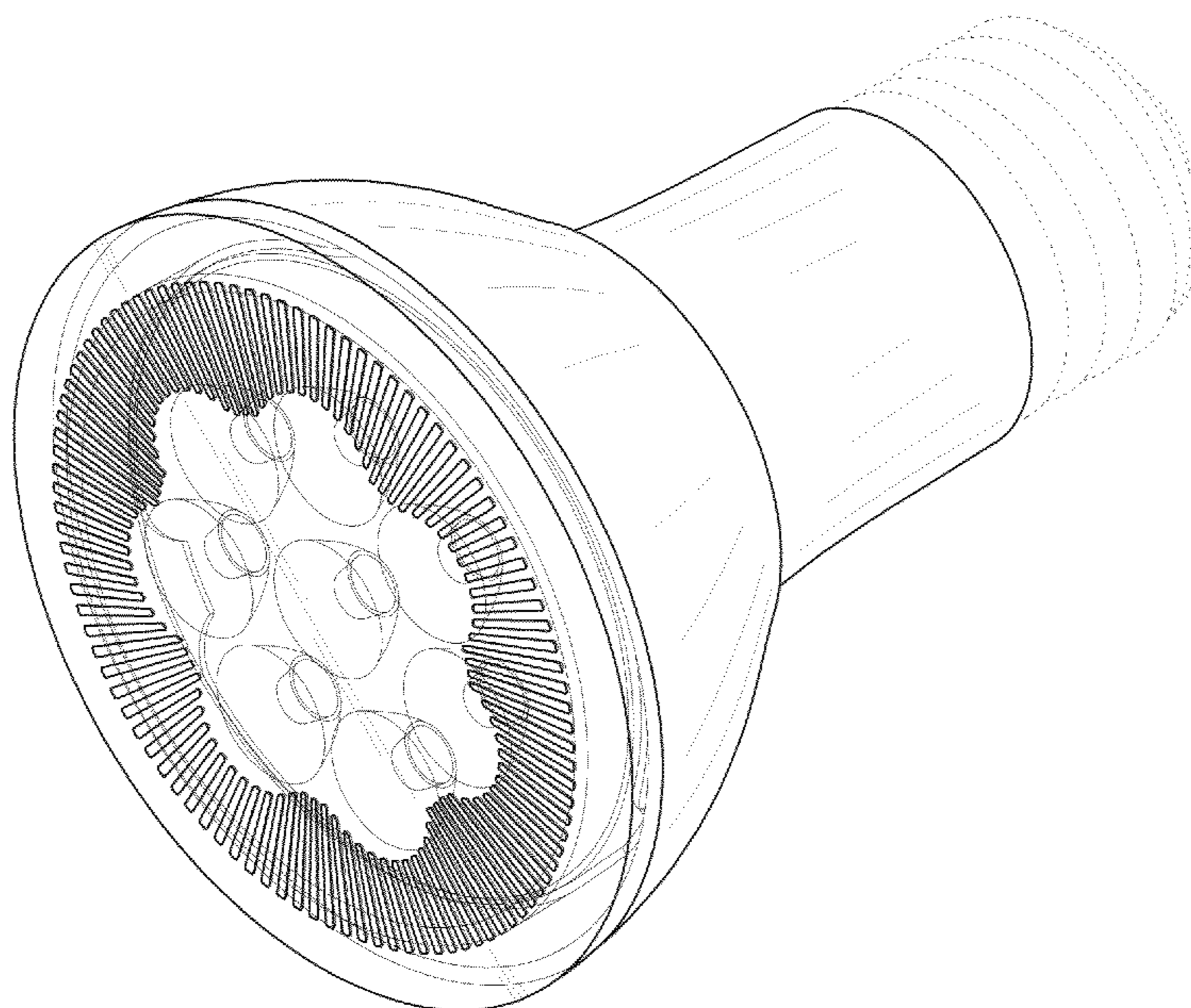


FIG. 1

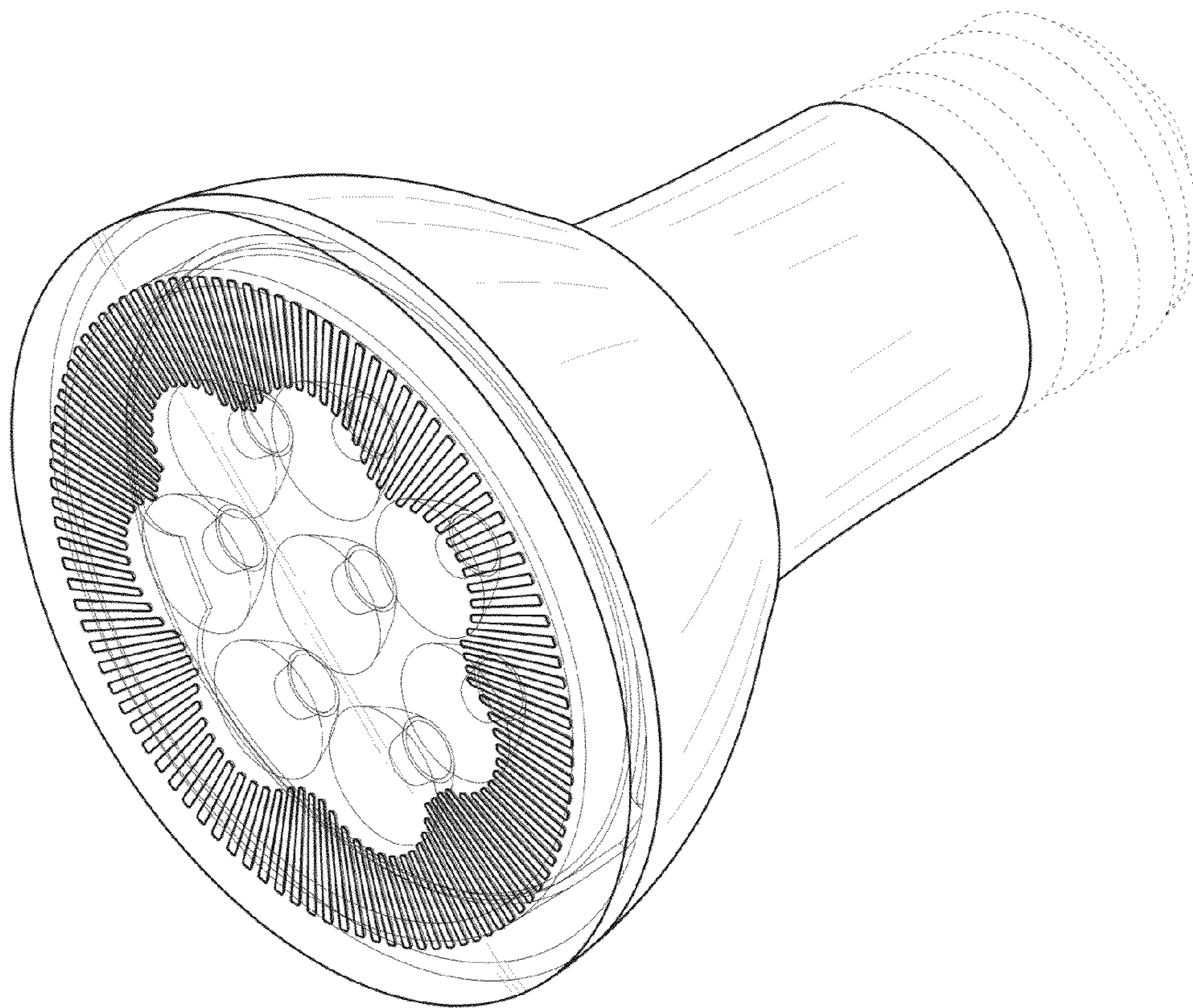


FIG. 2

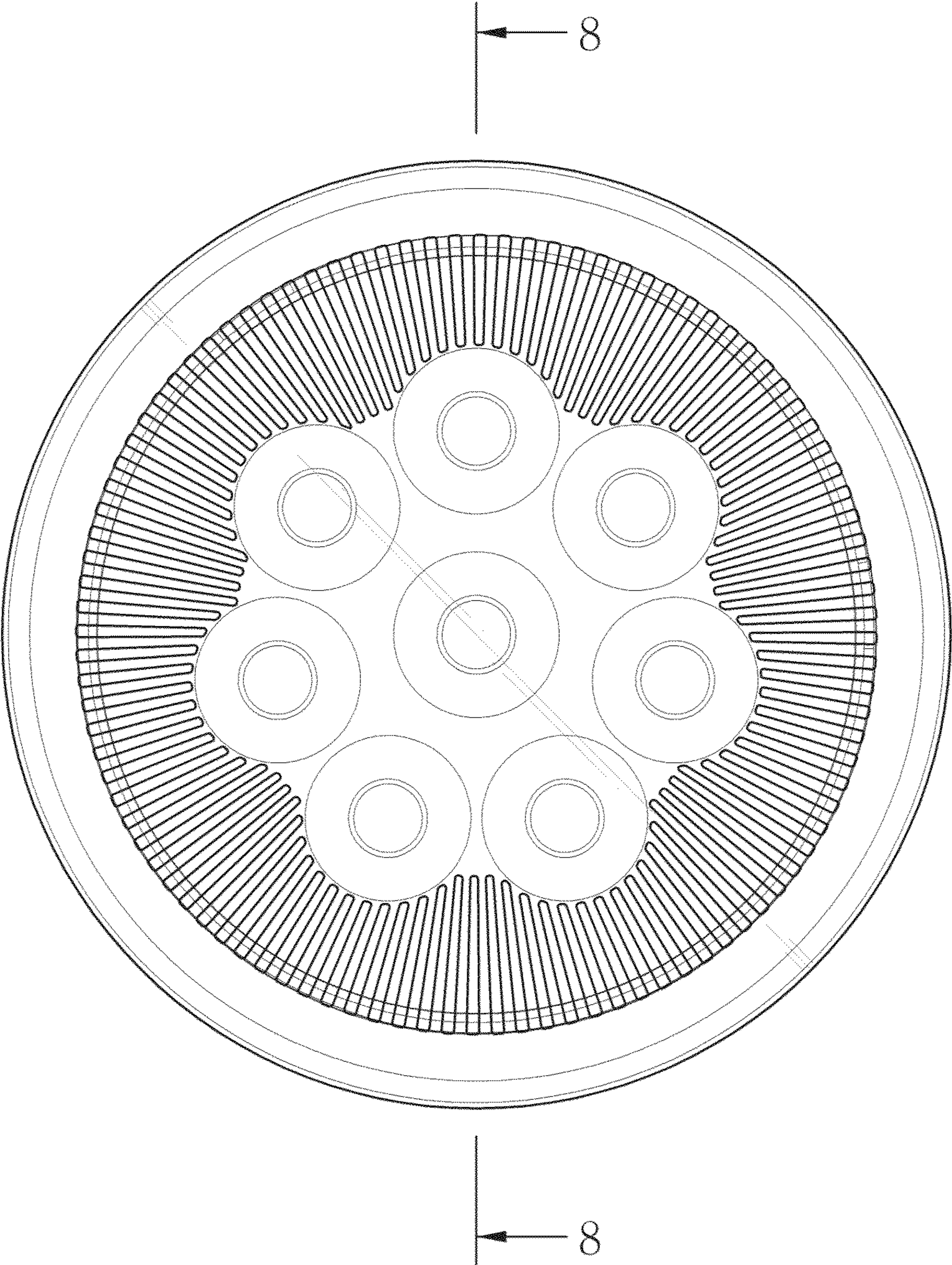


FIG. 3



FIG. 4

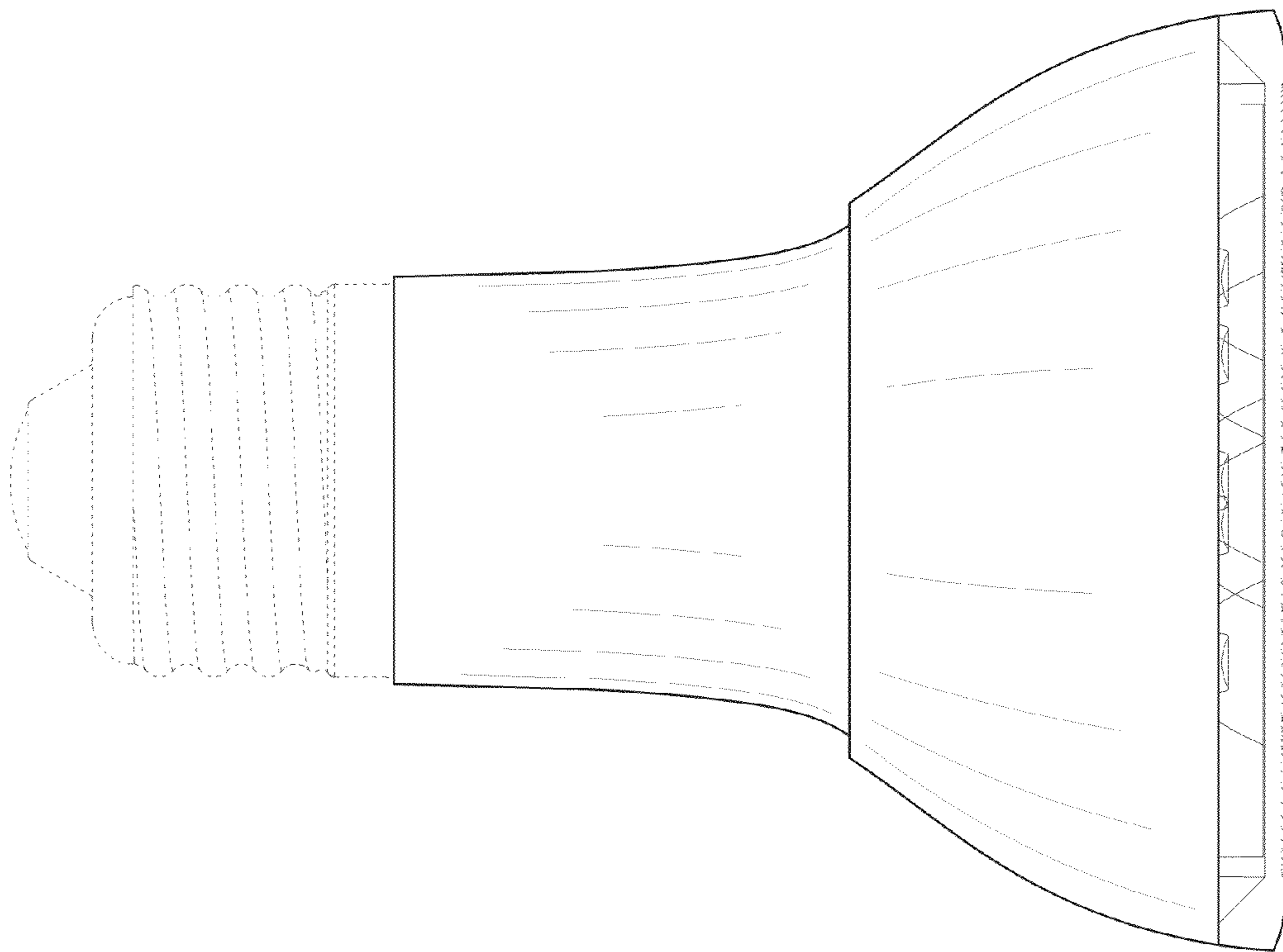


FIG. 5

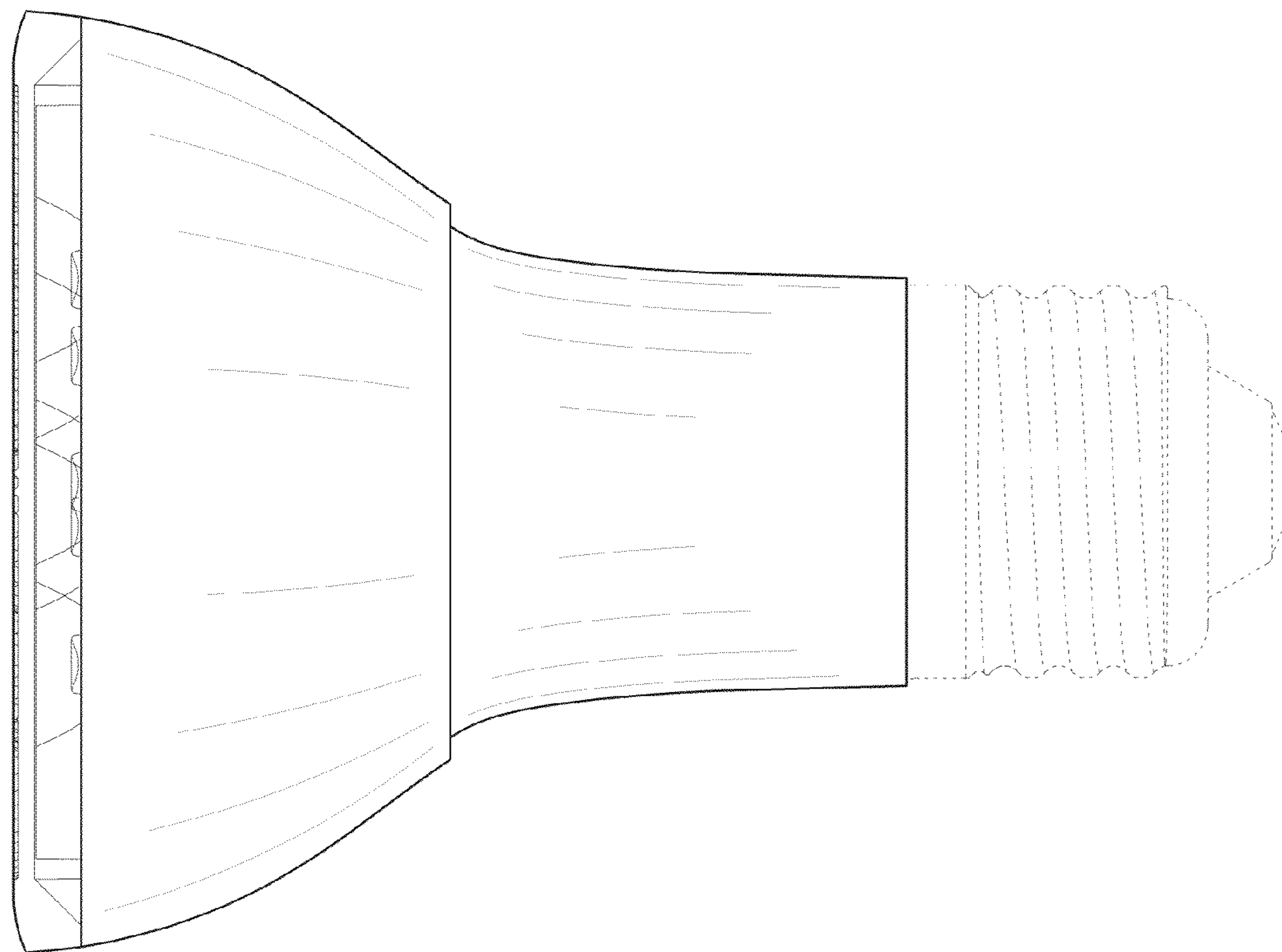


FIG. 6

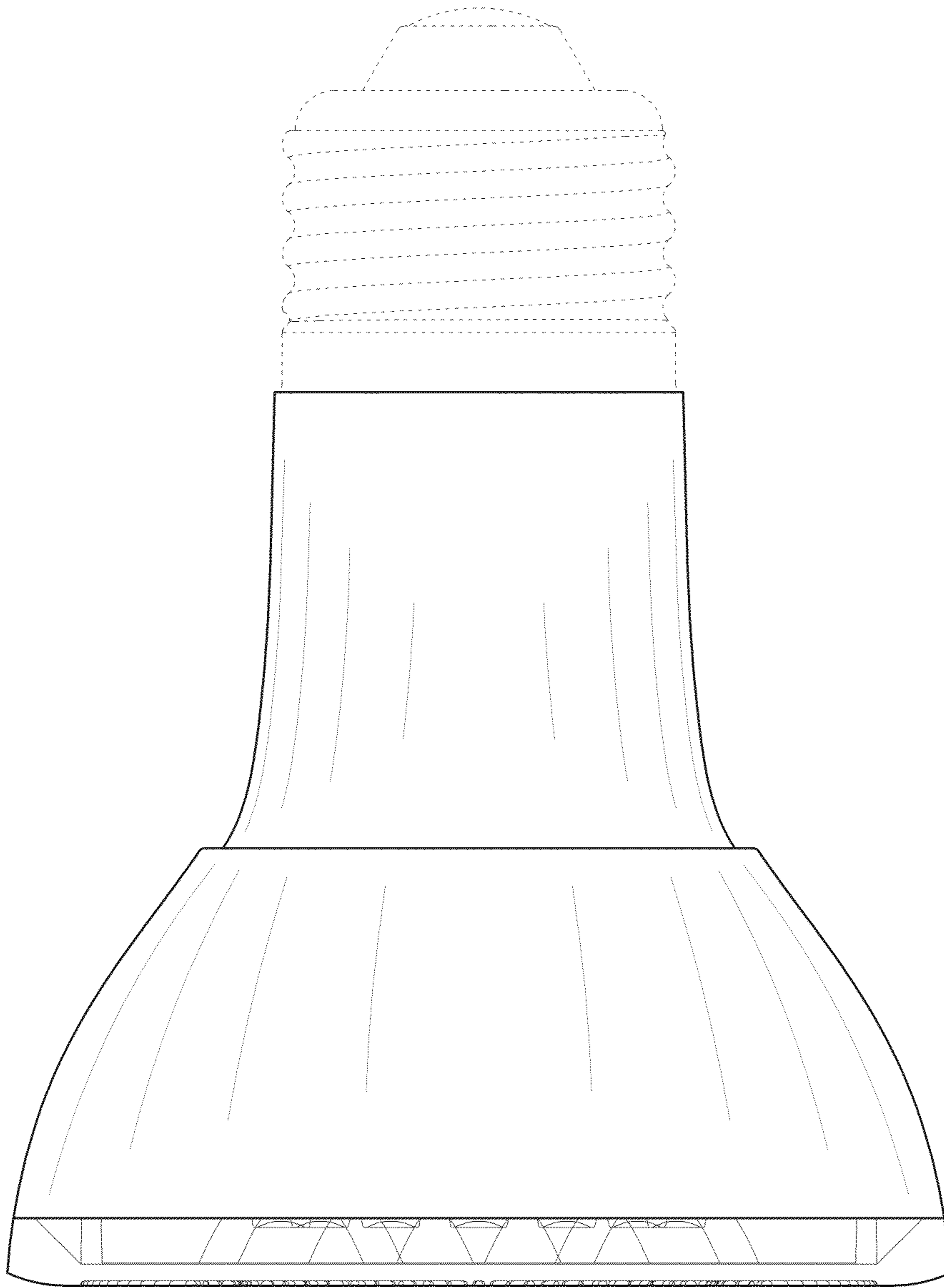


FIG. 7

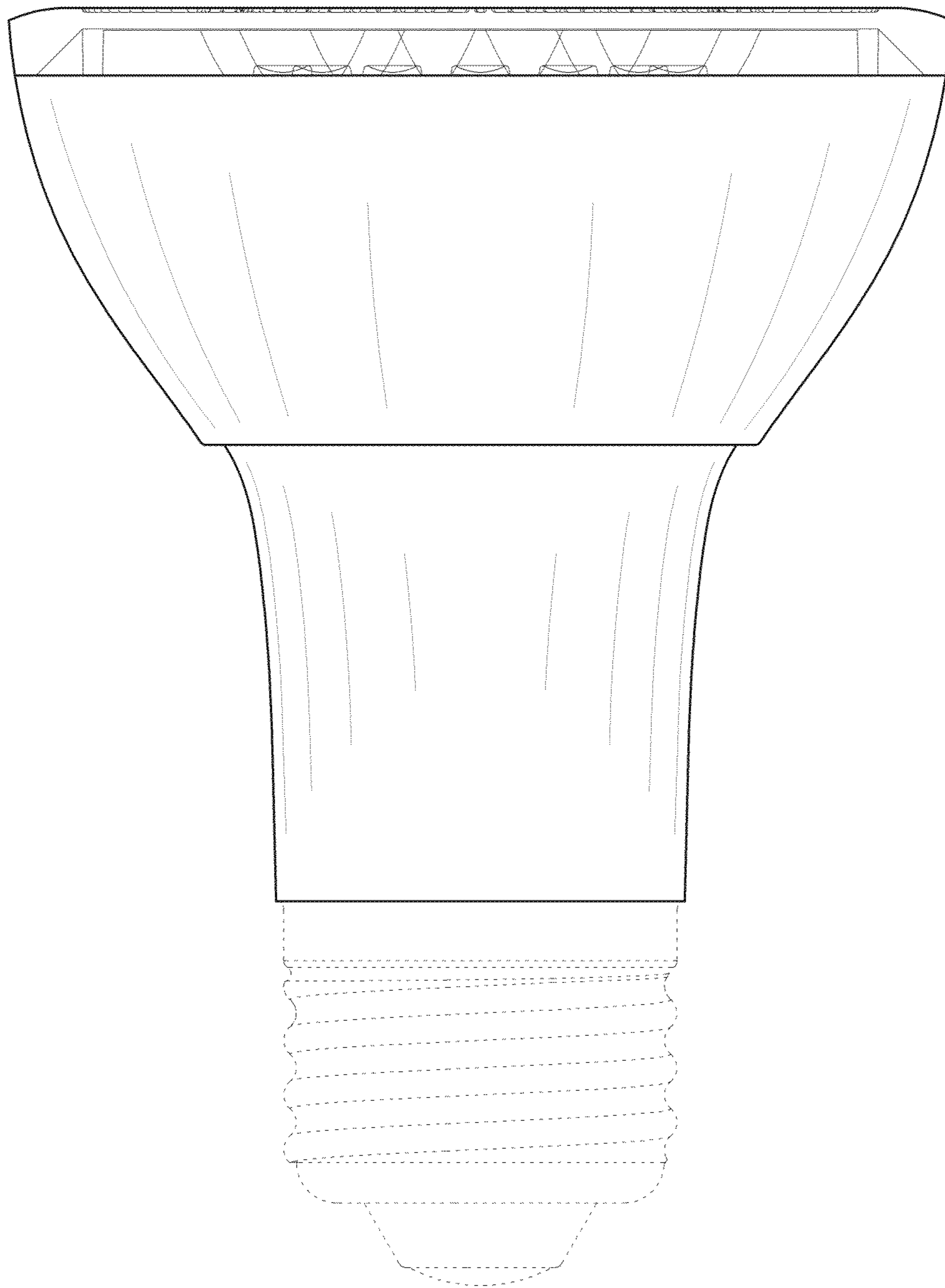


FIG. 8

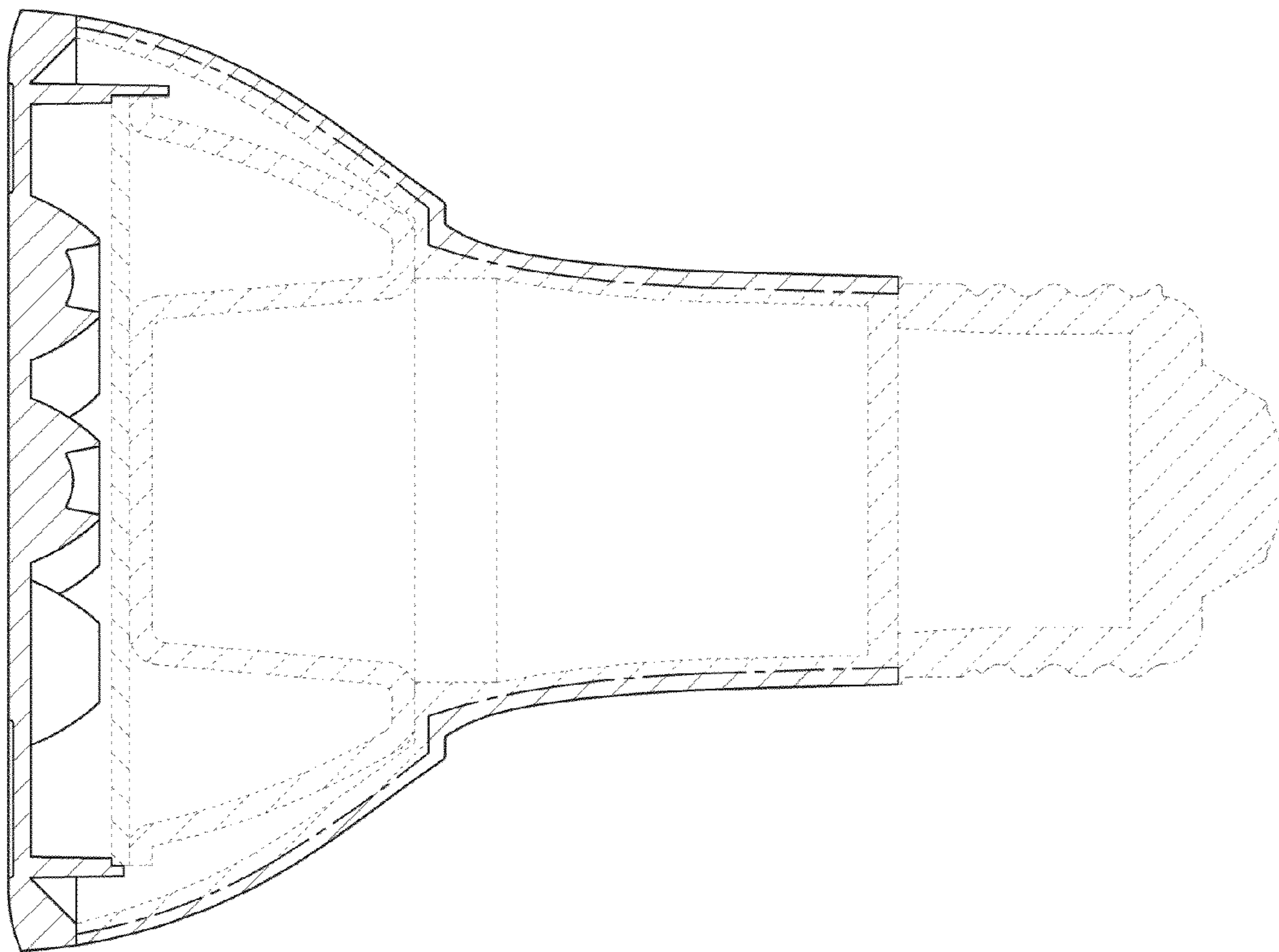


FIG. 9

