



US00D741517S

(12) **United States Design Patent**
Hwang et al.

(10) **Patent No.:** **US D741,517 S**
(45) **Date of Patent:** **** Oct. 20, 2015**

(54) **LED BULB**

- (71) Applicant: **Samsung Electronics Co., Ltd.**,
Suwon-si, Gyeonggi-do (KR)
- (72) Inventors: **Won-Chul Hwang**, Seoul (KR);
Hwan-Woong Choi, Seoul (KR)
- (73) Assignee: **SAMSUNG ELECTRONICS CO., LTD.** (KR)
- (**) Term: **14 Years**
- (21) Appl. No.: **29/501,943**
- (22) Filed: **Sep. 10, 2014**

(30) **Foreign Application Priority Data**

Mar. 14, 2014 (KR) 30-2014-0012952

- (51) **LOC (10) Cl.** **26-04**
- (52) **U.S. Cl.**
USPC **D26/2**
- (58) **Field of Classification Search**
USPC D26/1-4; 313/313, 315, 316, 317, 318,
313/493; 315/52, 53, 56, 57, 58
See application file for complete search history.

(56) **References Cited**

U.S. PATENT DOCUMENTS

D532,532 S *	11/2006	Maxik	D26/2
D544,110 S *	6/2007	Hooker et al.	D26/2
D566,300 S *	4/2008	Lo	D26/2
D581,555 S *	11/2008	To et al.	D26/2
D584,838 S *	1/2009	To et al.	D26/2
D610,722 S *	2/2010	Bi	D26/2
D677,806 S *	3/2013	Jiang et al.	D26/2

OTHER PUBLICATIONS

The Korean Office Action dated on Oct. 22, 2014 in the corresponding Korean Design Application No. 30-2014-0012952. KR Application No. 30-2014-0012951 is cited in the Korean Office Action. KR Application No. 30-2014-0012951 is not published but corresponds to Design U.S. Appl. No. 29/501,949, Considered.

* cited by examiner

Primary Examiner — Marcus Jackson

(74) *Attorney, Agent, or Firm* — Cantor Colburn LLP

(57) **CLAIM**

The ornamental design for a LED bulb, as shown and described.

DESCRIPTION

FIG. 1 is a perspective view of a LED bulb, showing our new design;
 FIG. 2 is a front view thereof;
 FIG. 3 is a rear view thereof;
 FIG. 4 is a side view thereof;
 FIG. 5 is a another side view thereof;
 FIG. 6 is a top view thereof;
 FIG. 7 is a bottom view thereof;
 FIG. 8 is a cross-sectional view thereof taken along line 8-8 of FIG. 2; and,
 FIG. 9 is a partial rear perspective view thereof showing a lens portion.
 The broken lines in the figures are for environmental purposes only and form no part of the claimed design.

1 Claim, 9 Drawing Sheets

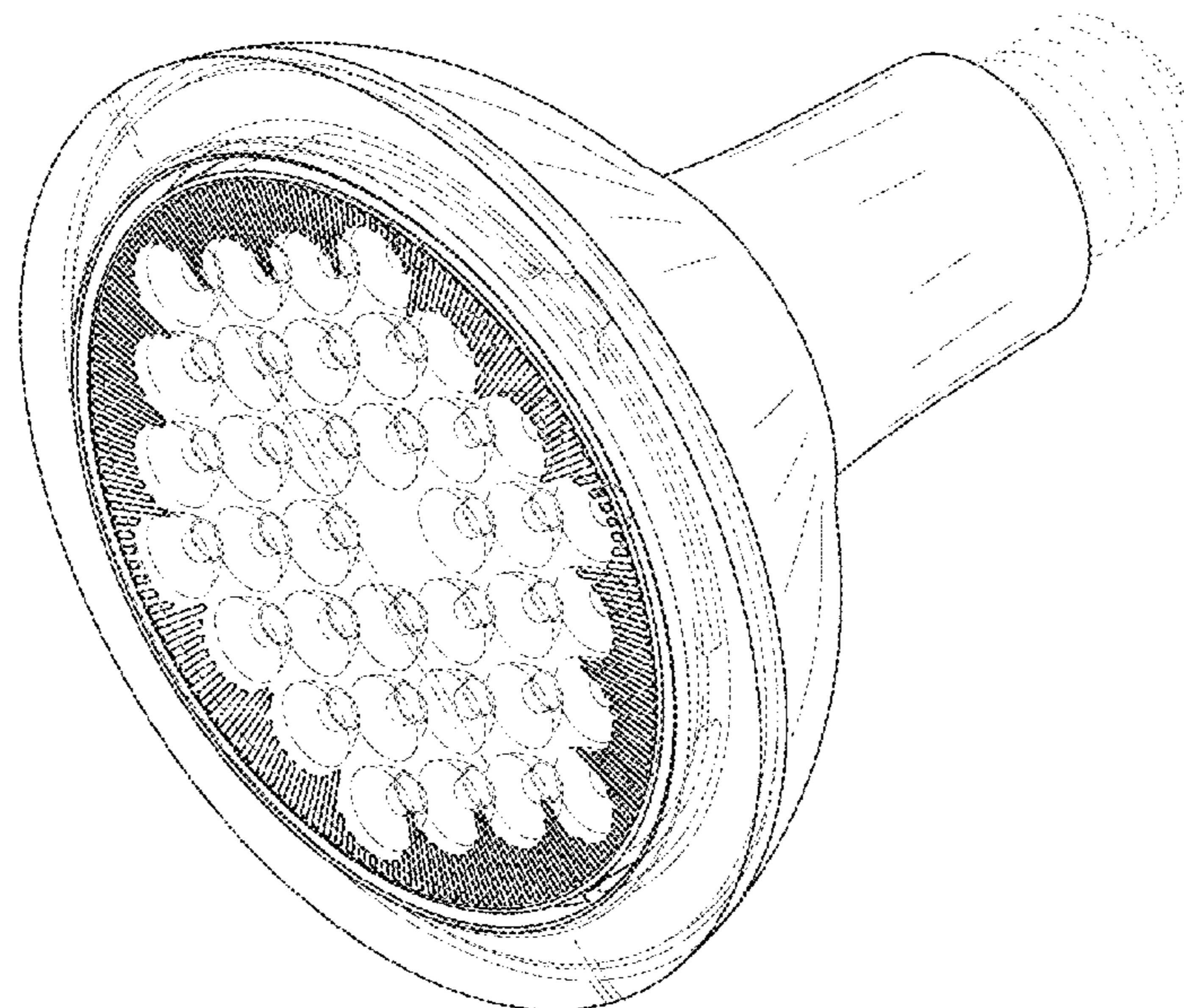


FIG. 1

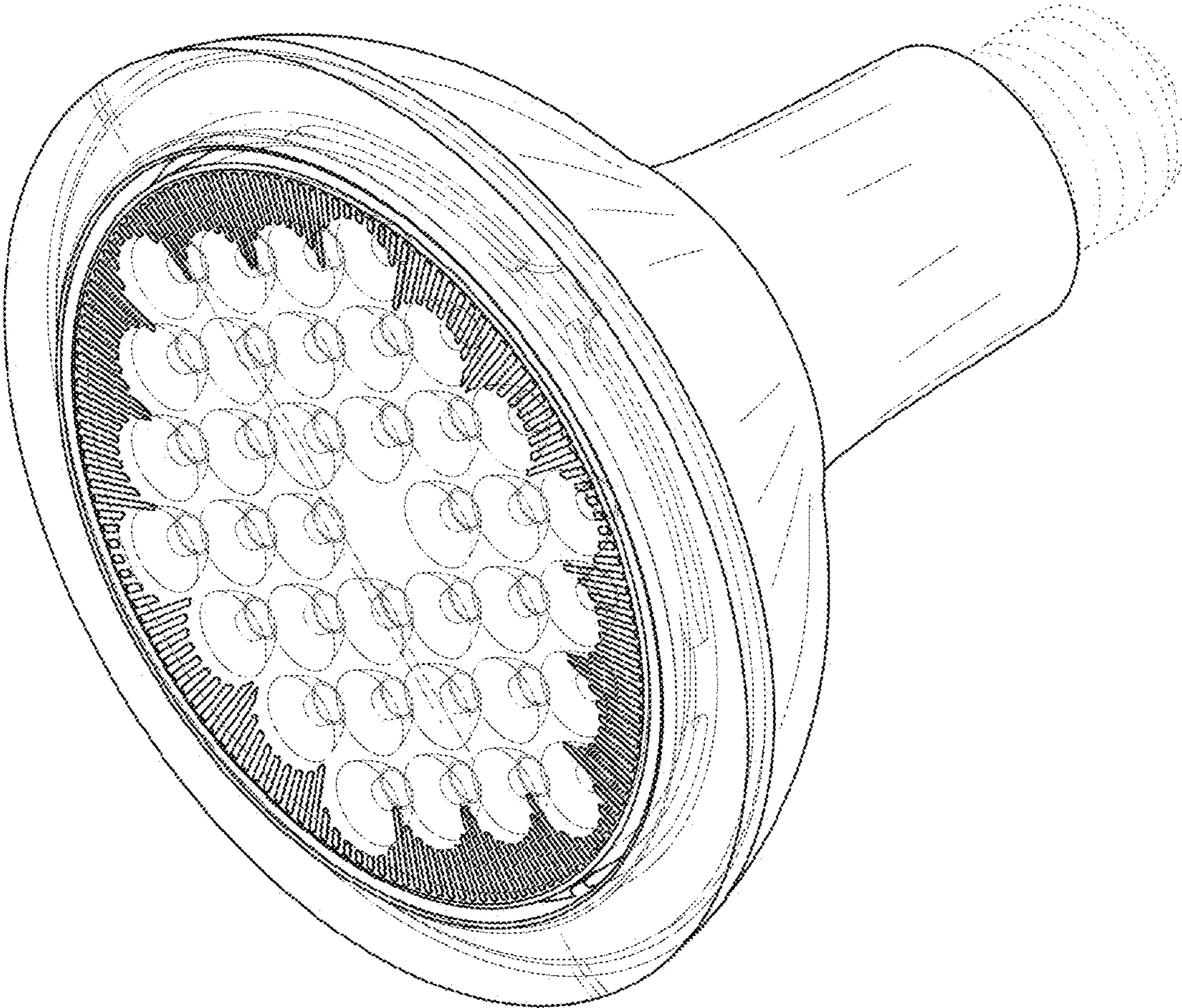


FIG. 2

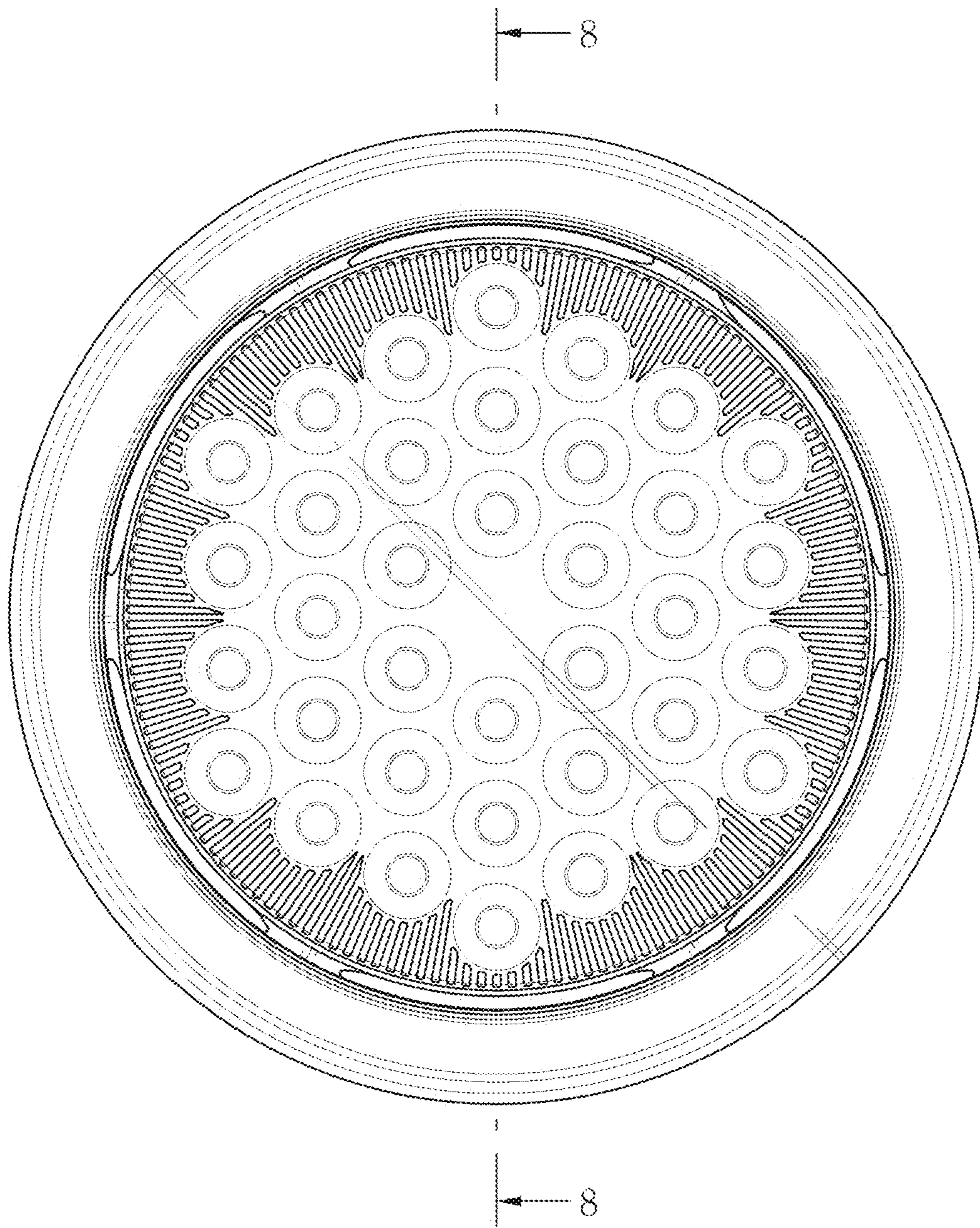


FIG. 3



FIG. 4

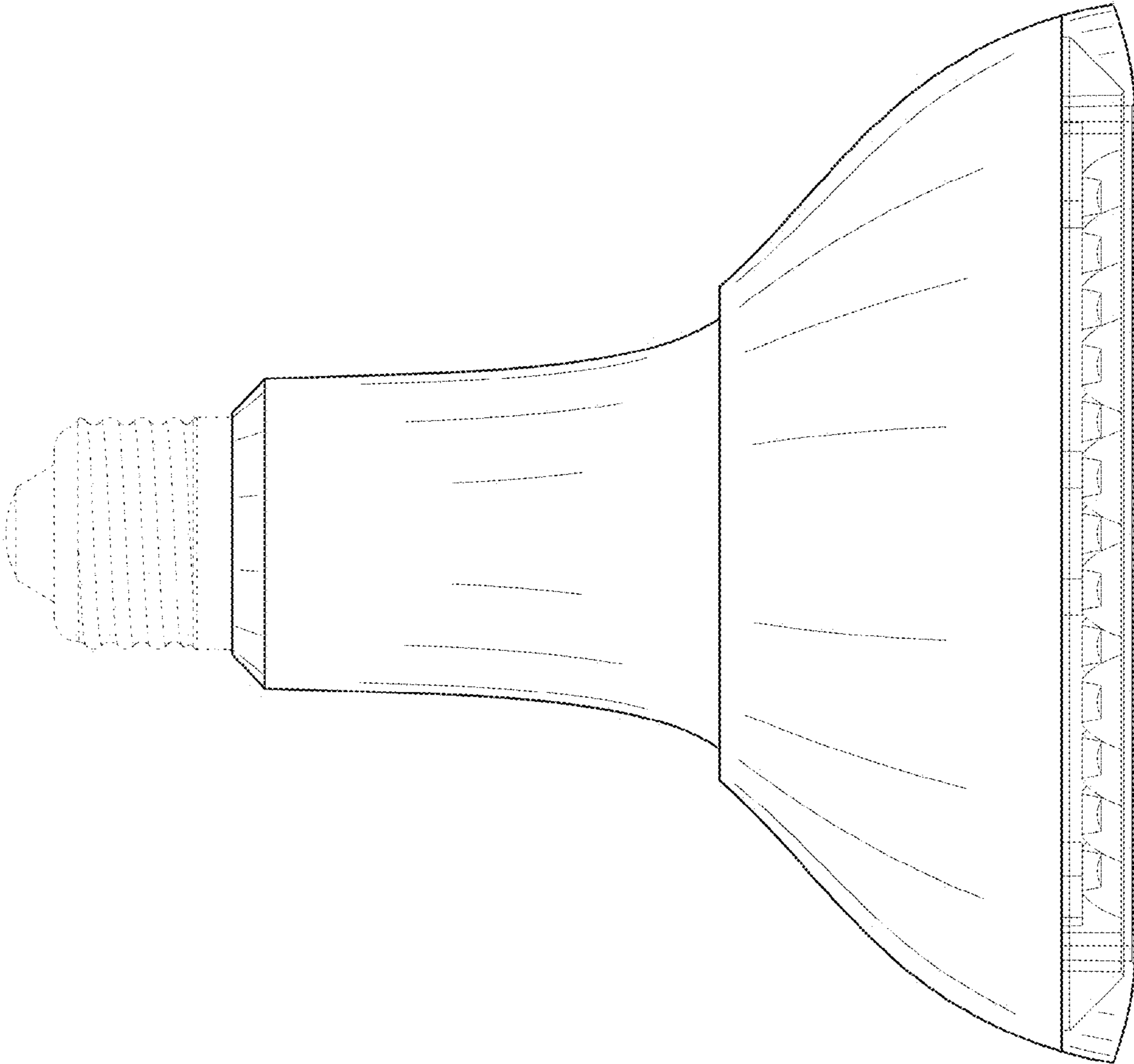


FIG. 5

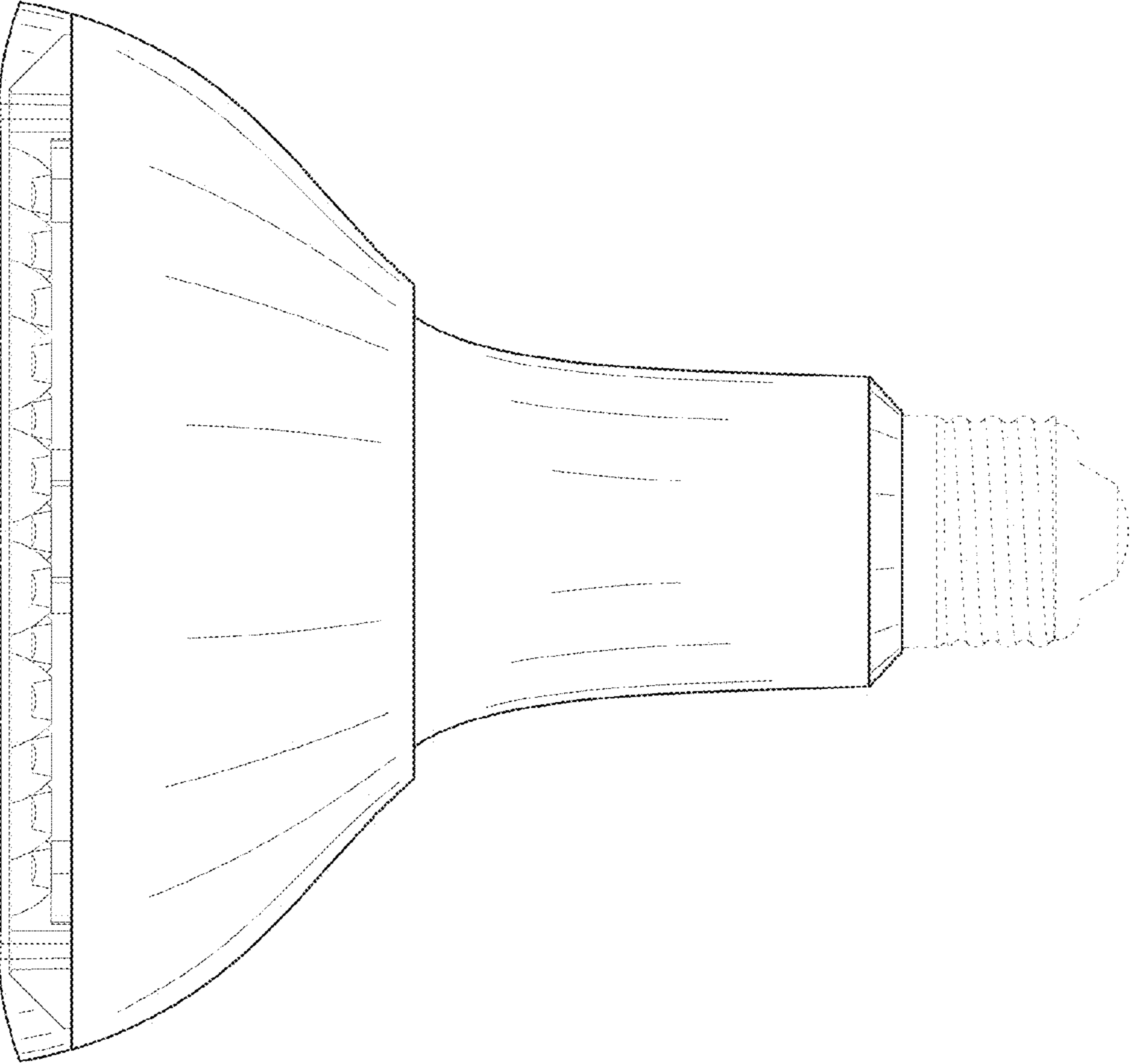


FIG. 6

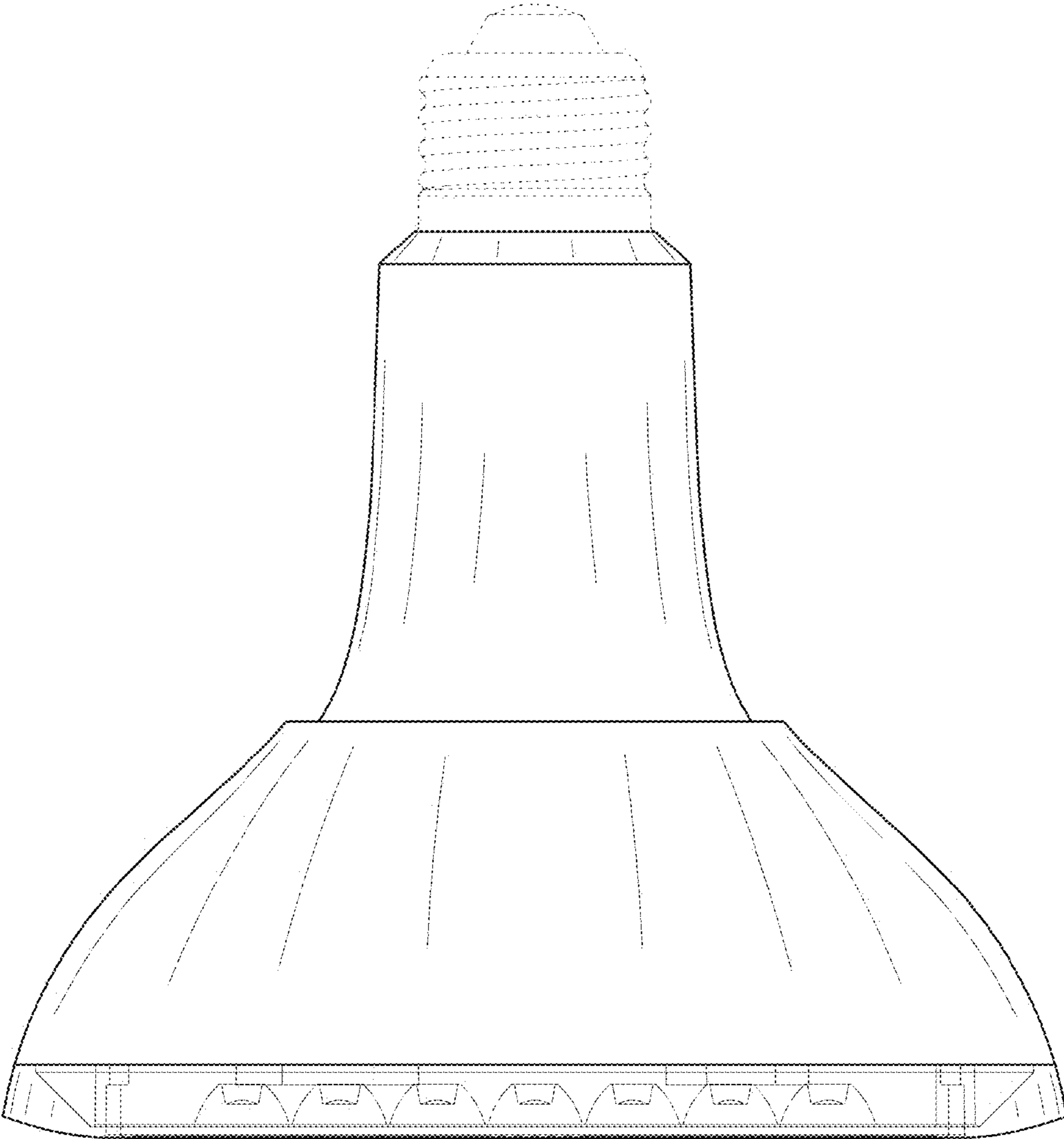


FIG. 7

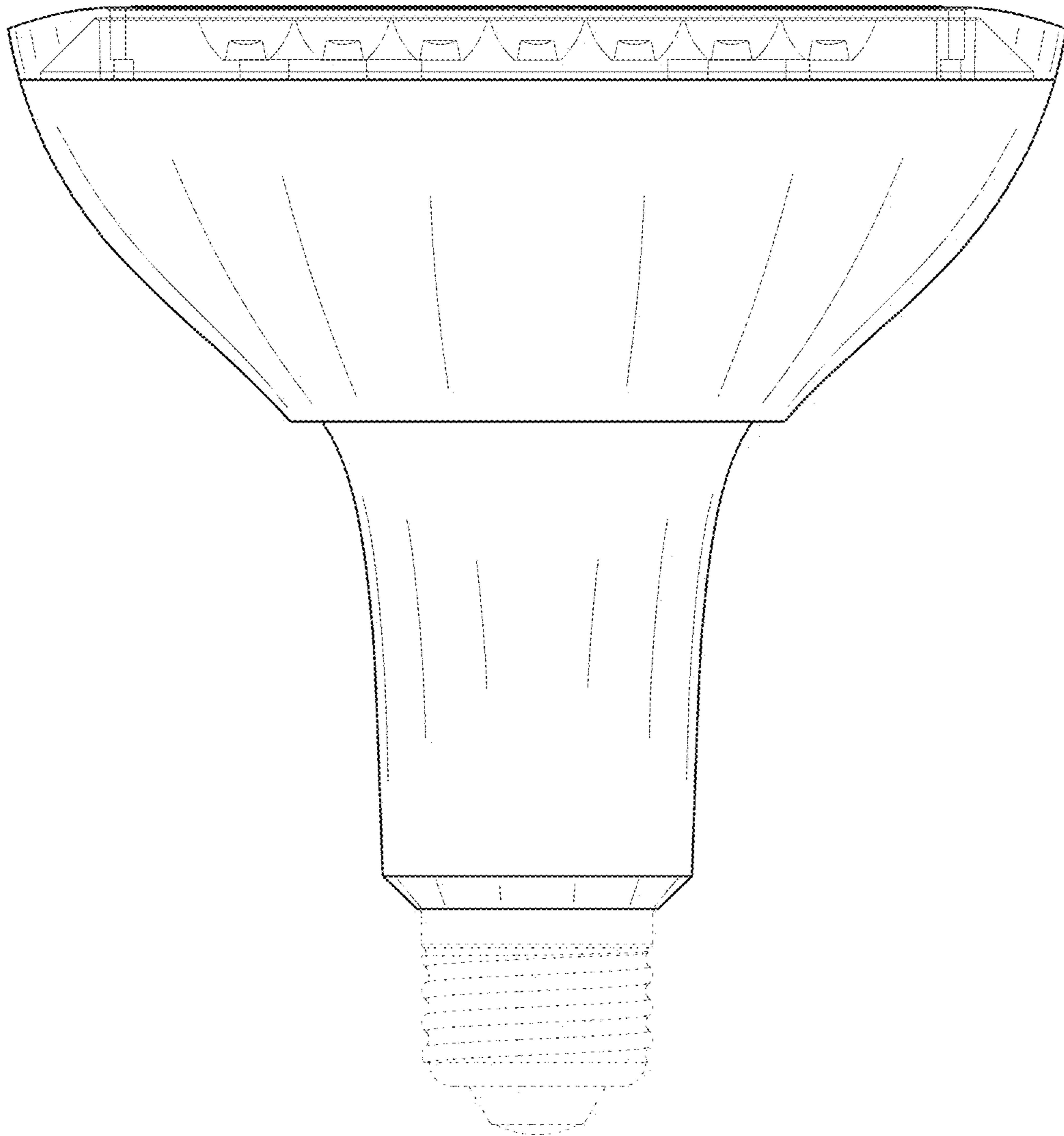


FIG. 8

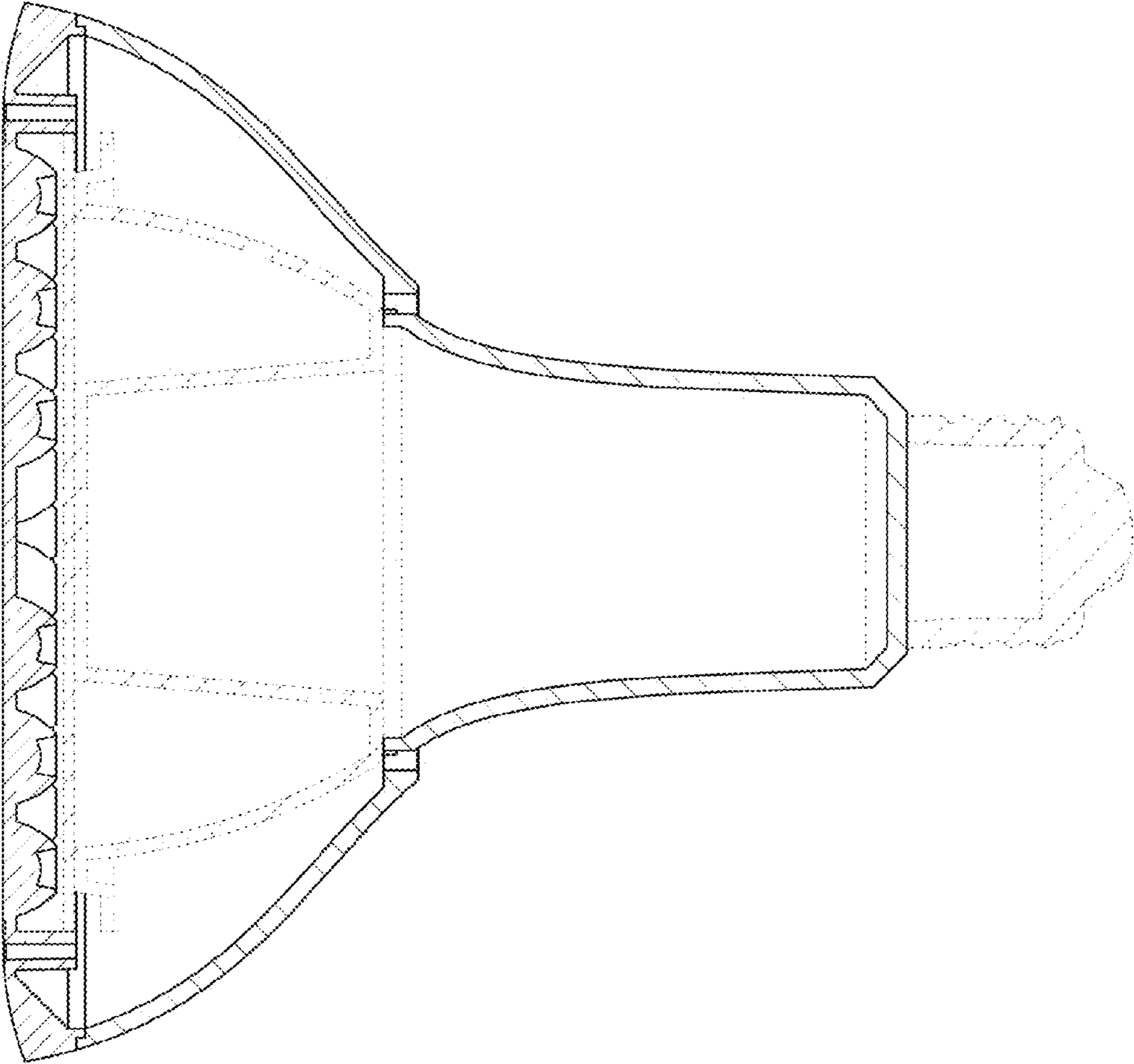


FIG. 9

