



US00D741509S

(12) **United States Design Patent**
Negley et al.

(10) **Patent No.:** **US D741,509 S**
(45) **Date of Patent:** **** Oct. 20, 2015**

(54) **LAMP**

- (71) Applicant: **Cree, Inc.**, Durham, NC (US)
- (72) Inventors: **Gerald H. Negley**, Chapel Hill, NC (US); **Bart P. Reier**, Cary, NC (US); **Curt Progl**, Raleigh, NC (US); **Paul Kenneth Pickard**, Morrisville, NC (US)
- (73) Assignee: **Cree, Inc.**, Durham, NC (US)
- (**) Term: **14 Years**
- (21) Appl. No.: **29/499,296**
- (22) Filed: **Aug. 13, 2014**

Related U.S. Application Data

- (62) Division of application No. 29/435,254, filed on Oct. 22, 2012, now Pat. No. Des. 714,971.
- (51) **LOC (10) Cl.** **26-04**
- (52) **U.S. Cl.**
USPC **D26/2**
- (58) **Field of Classification Search**
USPC D26/1-4; 313/313, 315, 316, 317, 318,
313/493; 315/52, 53, 56, 57, 58
See application file for complete search history.

(56) **References Cited**

U.S. PATENT DOCUMENTS

D508,575	S	*	8/2005	Buschmann et al.	D26/2
D528,227	S	*	9/2006	Chou et al.	D26/2
D531,741	S	*	11/2006	Takahashi	D26/2
D553,267	S	*	10/2007	Yuen	D26/2
D615,220	S	*	5/2010	Crane et al.	D26/2
D616,574	S	*	5/2010	Chen et al.	D26/2
D654,193	S	*	2/2012	Tong et al.	D26/2
D696,798	S	*	12/2013	Masashi et al.	D26/2
D714,971	S		10/2014	Negley et al.		

OTHER PUBLICATIONS

Energy Star® Program Requirements for Integral LED Lamps, Mar. 22, 2010, pp. 1-30.
 Lighting Science, Introduction to LSGC, Satellite Beach, Florida, Dec. 11, 2012.
 U.S. Appl. No. 29/435,253, filed Oct. 22, 2012.
 U.S. Appl. No. 13/803,841, filed Mar. 14, 2013.
 U.S. Appl. No. 29/456,413, filed May 31, 2013.

* cited by examiner

Primary Examiner — Marcus Jackson

(74) *Attorney, Agent, or Firm* — Dennis J. Williamson; Moore & Van Allen PLLC

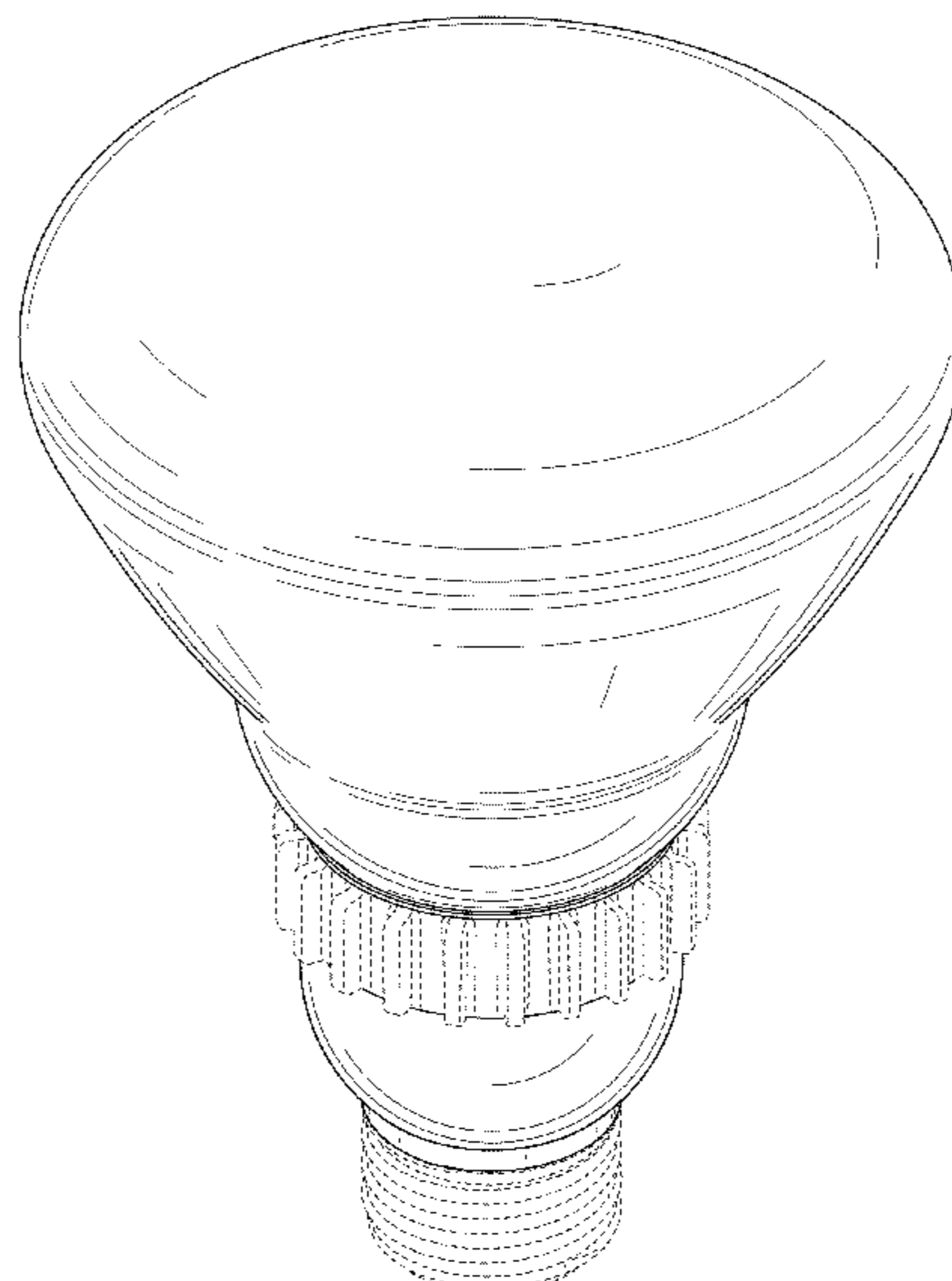
(57) **CLAIM**

We claim the ornamental design for a lamp, as shown and described.

DESCRIPTION

FIG. 1 is a front view showing an embodiment of our new design for a lamp;
 FIG. 2 is a right side view showing our new design shown in FIG. 1;
 FIG. 3 is a left side view showing our new design shown in FIG. 1;
 FIG. 4 is a back view showing our new design shown in FIG. 1;
 FIG. 5 is a top view showing our new design shown in FIG. 1;
 FIG. 6 is a bottom view showing our new design shown in FIG. 1;
 FIG. 7 is a top perspective view showing our new design shown in FIG. 1; and,
 FIG. 8 is a bottom perspective view showing our new design shown in FIG. 1.
 The portions shown in broken lines are not part of the claimed design but show the environment in which the design is associated.

1 Claim, 8 Drawing Sheets



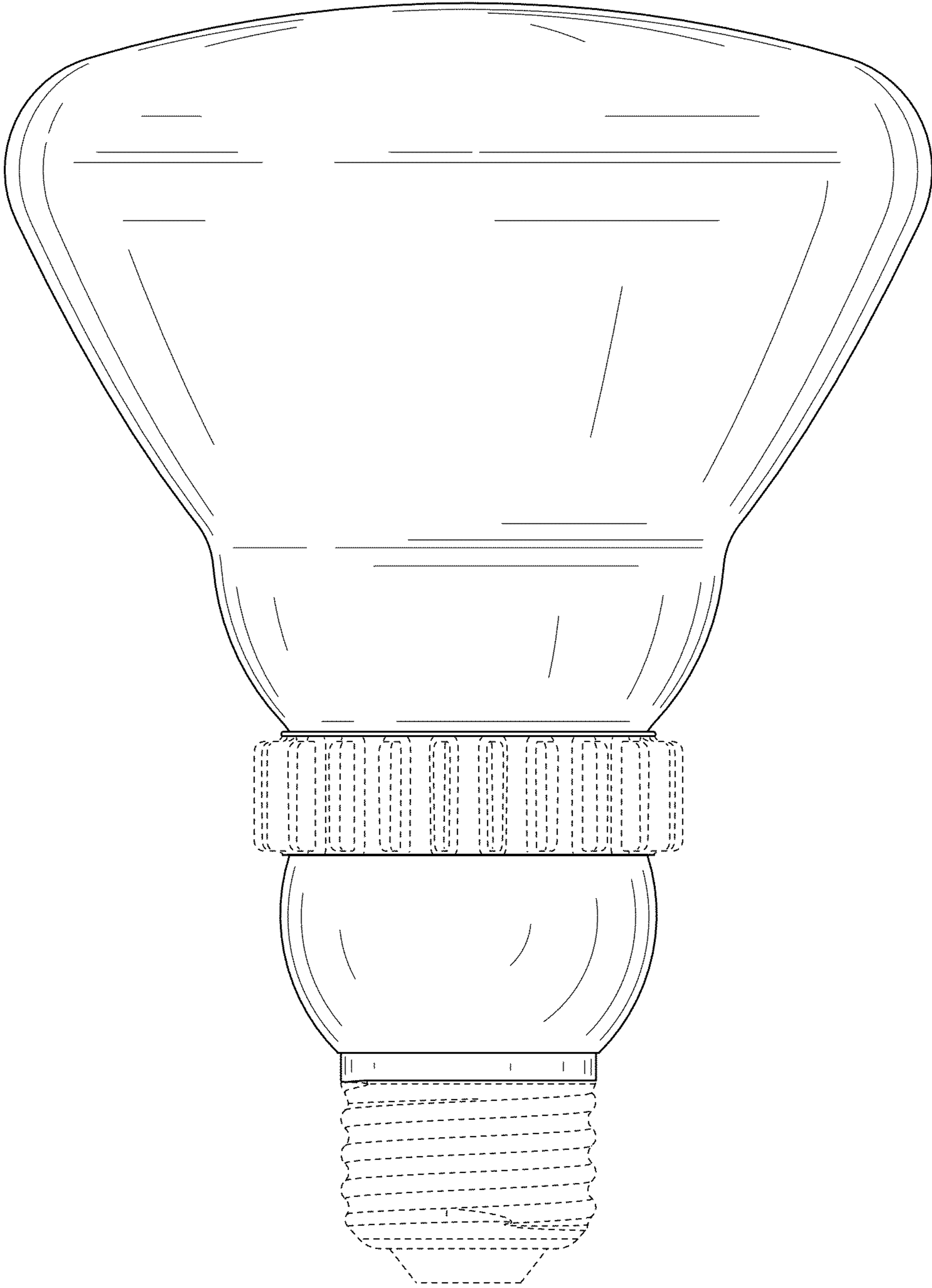


FIG. 1

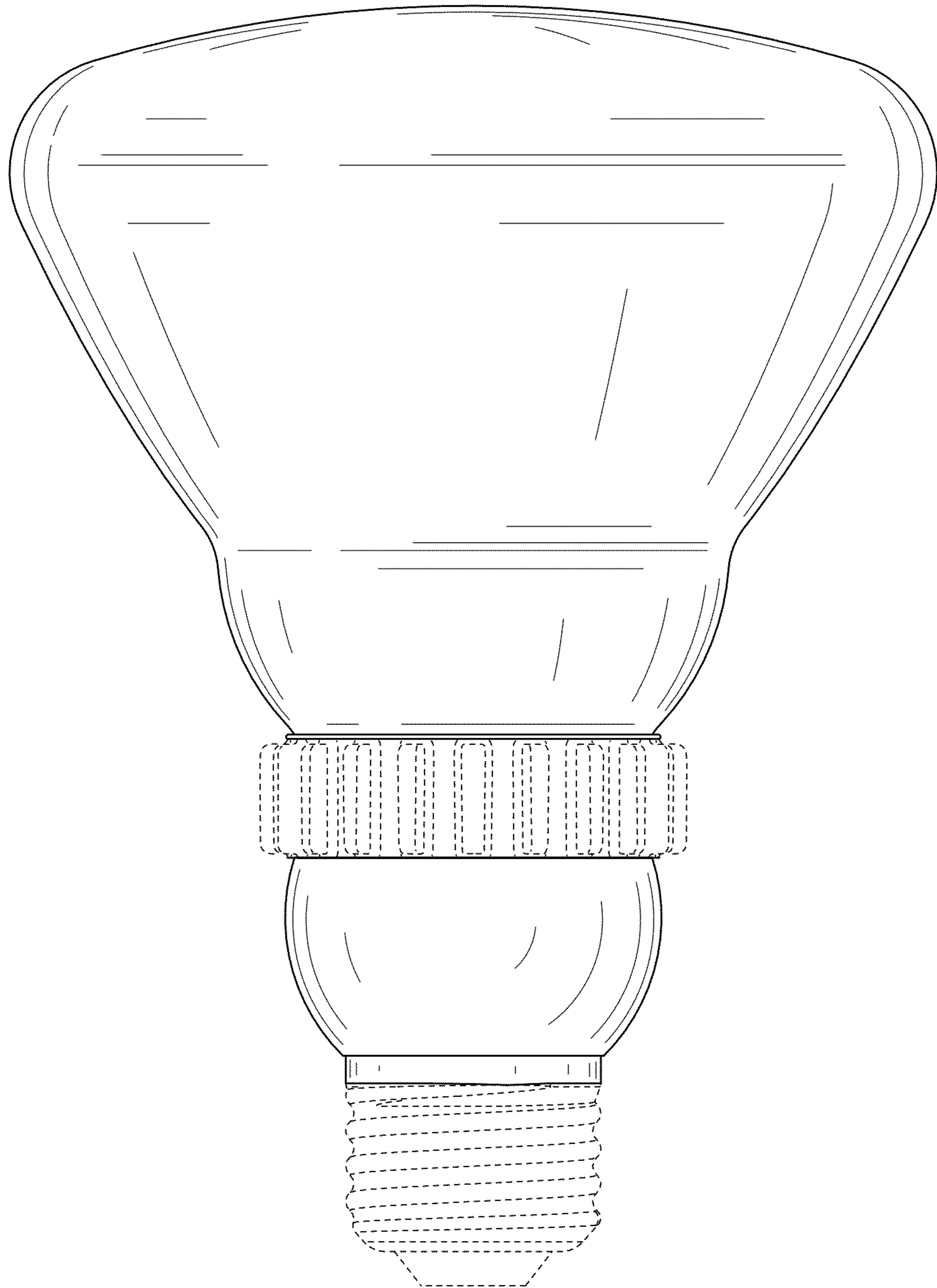


FIG. 2

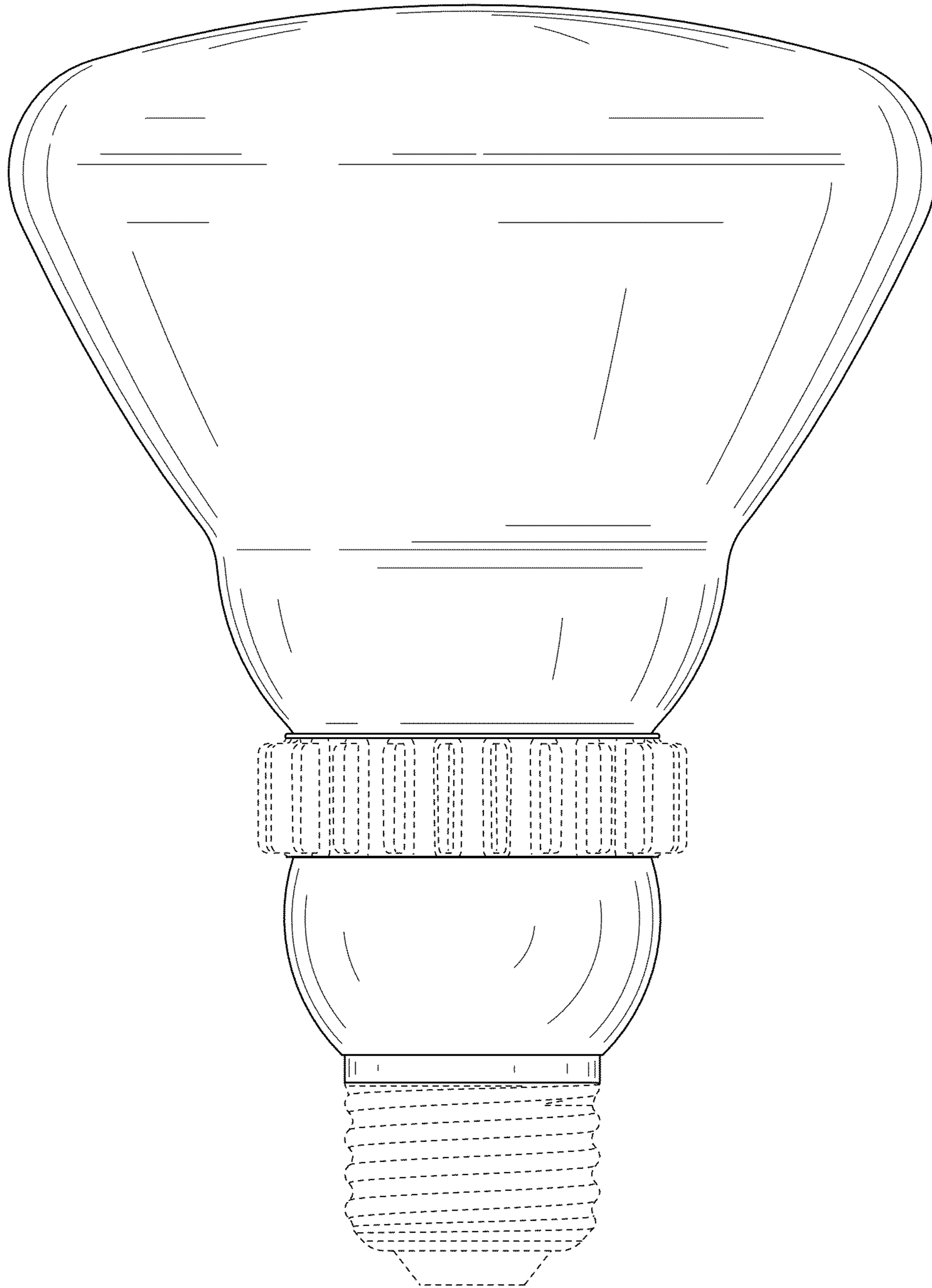


FIG. 3

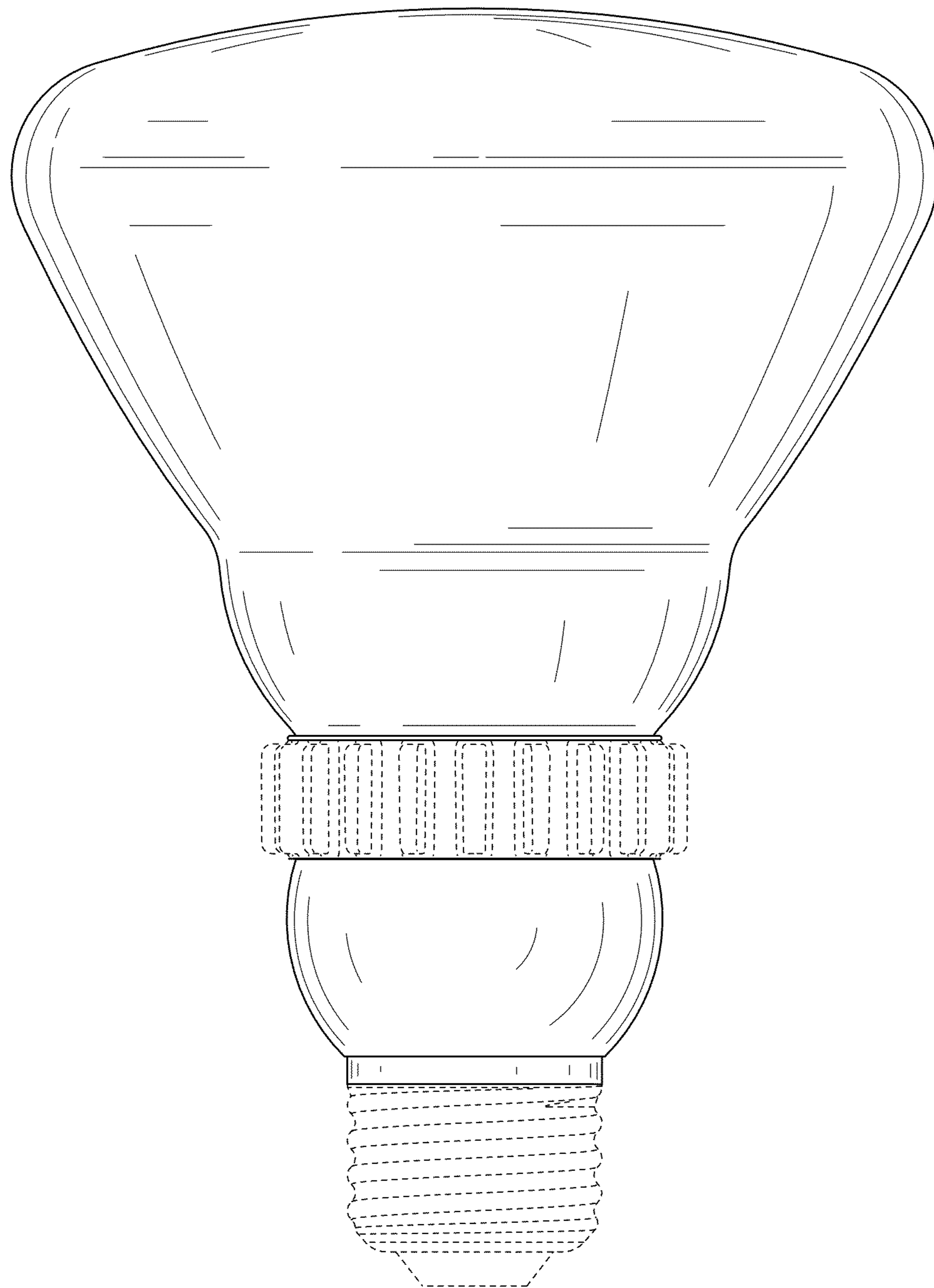


FIG. 4

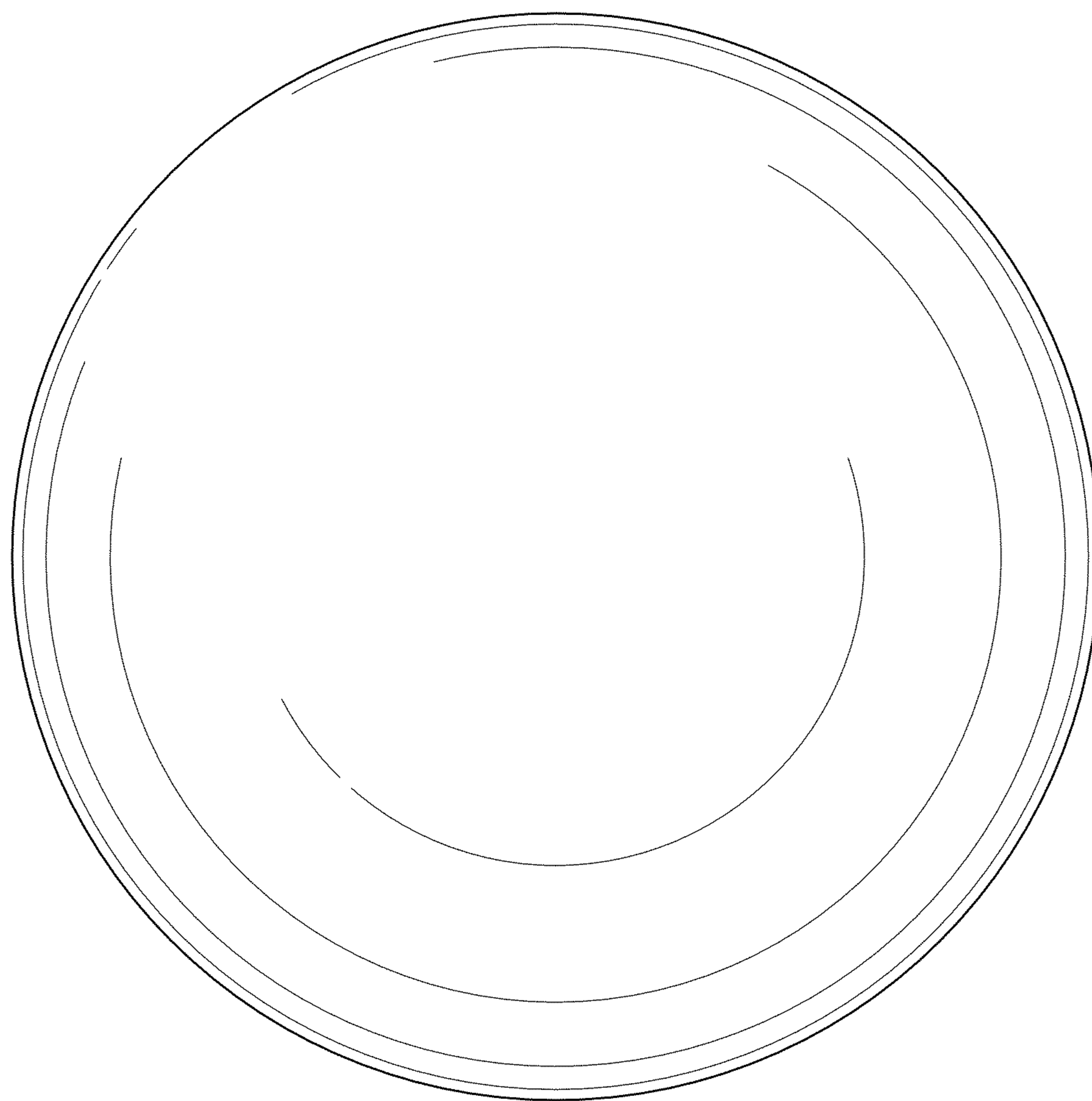


FIG. 5

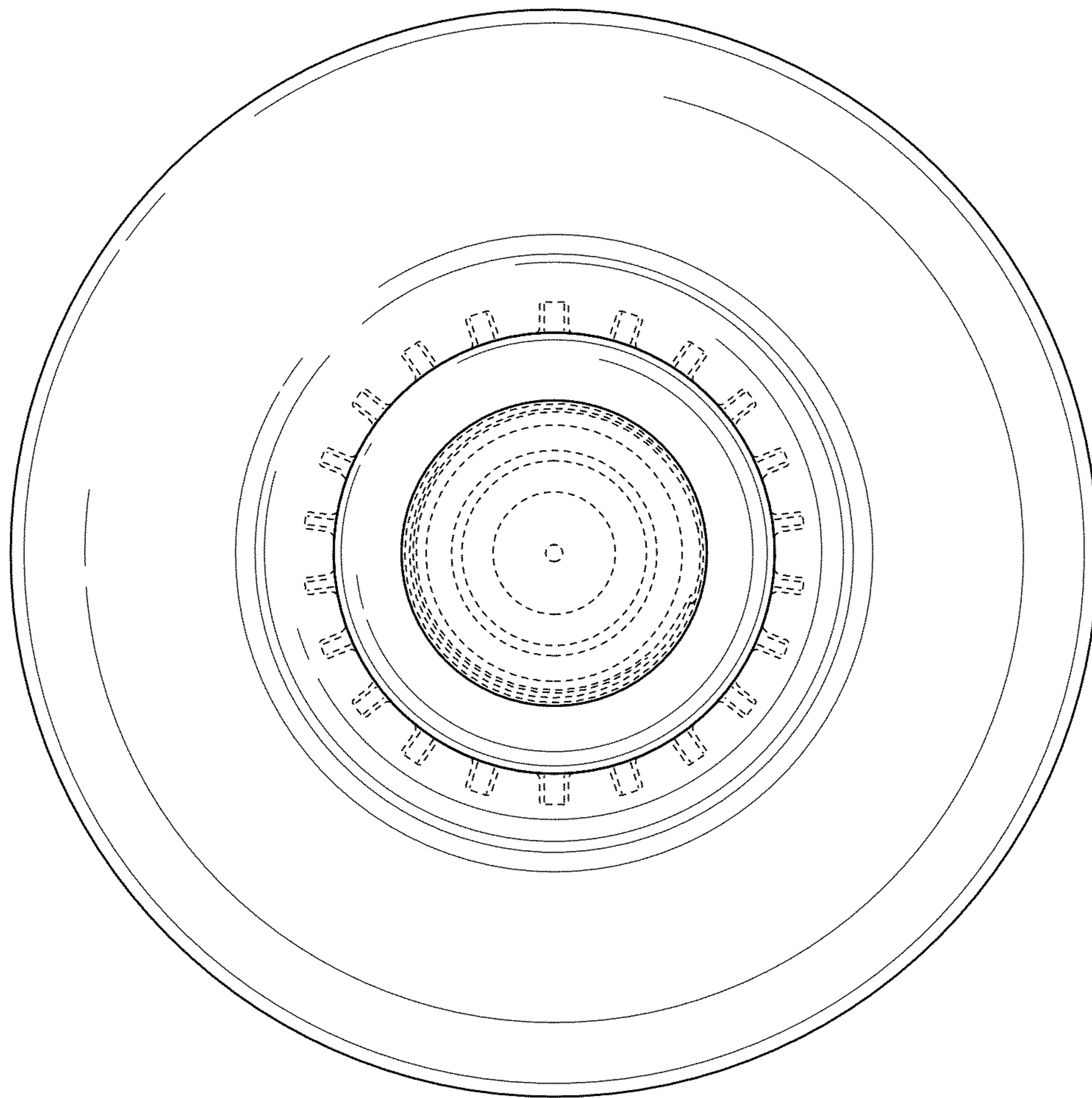


FIG. 6

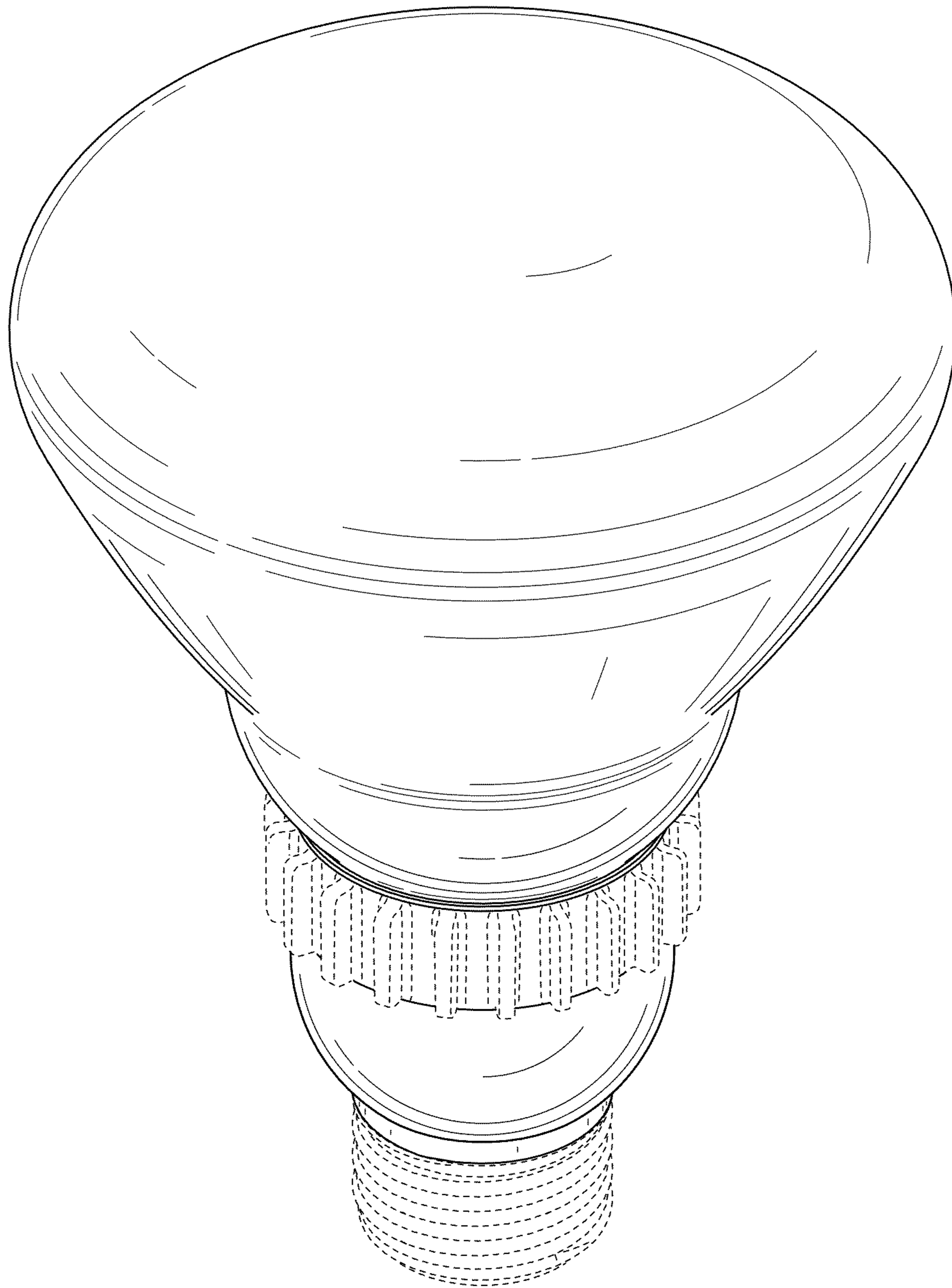


FIG. 7

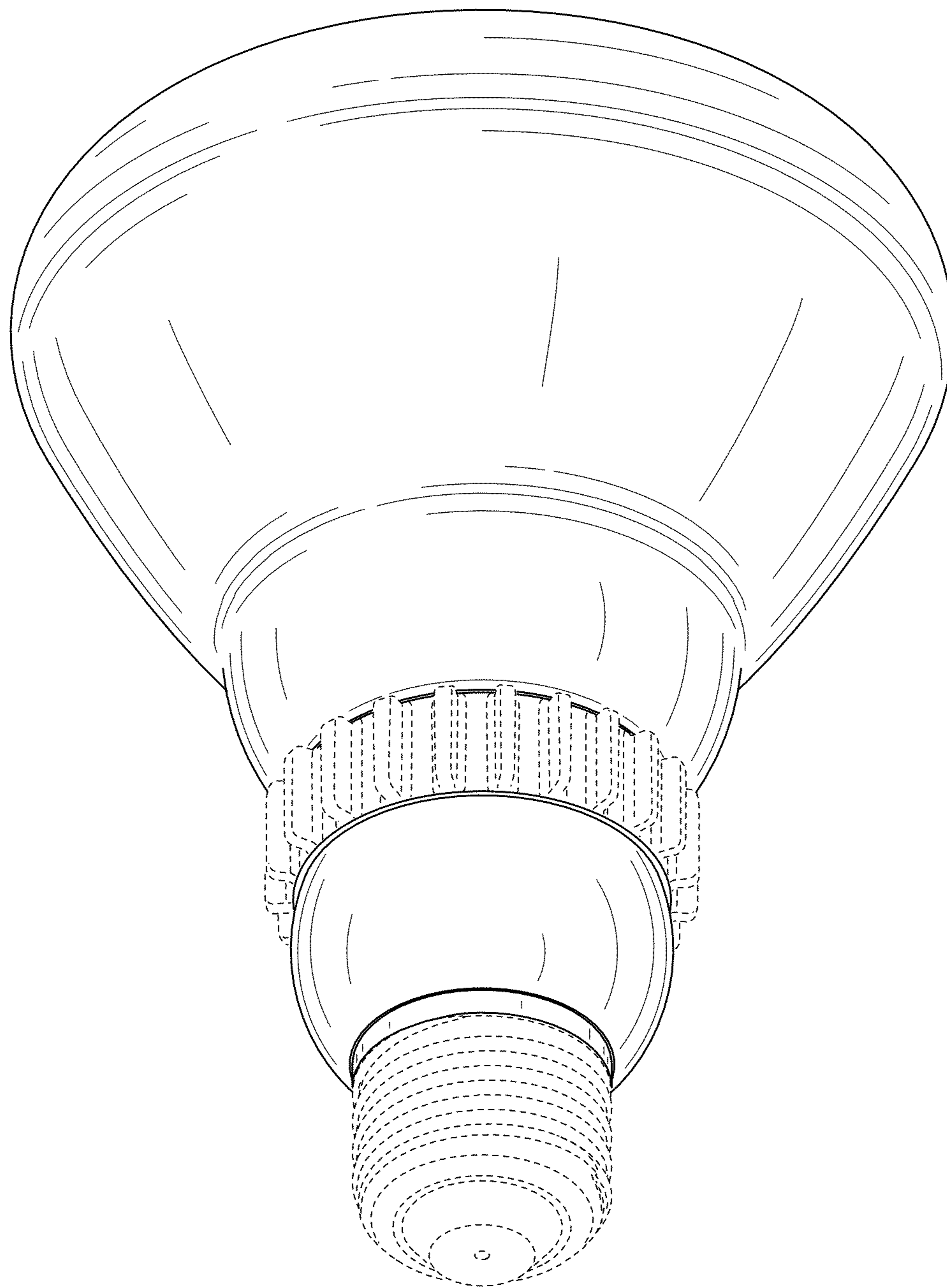


FIG. 8