



US00D741508S

(12) **United States Design Patent**  
**Mishin**

(10) **Patent No.:** **US D741,508 S**  
(45) **Date of Patent:** **\*\* Oct. 20, 2015**

- (54) **FLOOD LAMP**
- (71) Applicant: **SORAA, INC.**, Fremont, CA (US)
- (72) Inventor: **Artem Mishin**, Pacifica, CA (US)
- (73) Assignee: **Soraa, Inc.**, Fremont, CA (US)
- (\*\*) Term: **14 Years**
- (21) Appl. No.: **29/495,625**
- (22) Filed: **Jul. 2, 2014**
- (51) **LOC (10) Cl.** ..... **26-04**
- (52) **U.S. Cl.**  
USPC ..... **D26/2**
- (58) **Field of Classification Search**  
USPC ..... D26/1-4; 313/313, 315, 316, 317, 318,  
313/493; 315/52, 53, 56, 57, 58  
See application file for complete search history.

D534,664 S *	1/2007	Geens .....	D26/2
D545,456 S *	6/2007	Foo .....	D26/2
D586,484 S *	2/2009	Liu et al. ....	D26/2
D601,722 S *	10/2009	Foo .....	D26/2
D634,035 S *	3/2011	Kim et al. ....	D26/2

\* cited by examiner

*Primary Examiner* — Marcus Jackson  
(74) *Attorney, Agent, or Firm* — Saul Ewing LLP

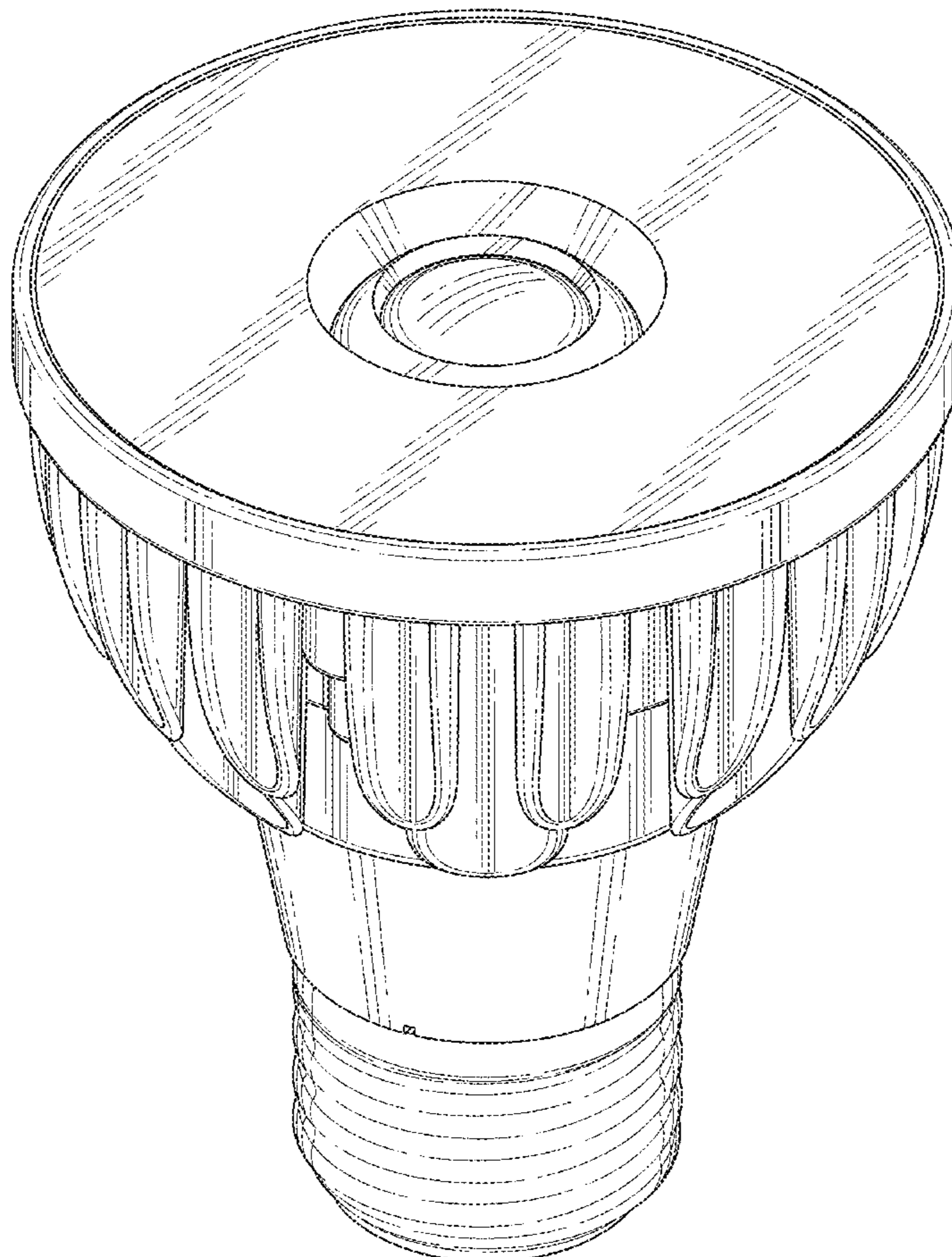
(57) **CLAIM**  
The ornamental design for flood lamp, as shown and described.

**DESCRIPTION**

FIG. 1 is a perspective view of a flood lamp showing a first embodiment of our new design;  
FIG. 2 is a side elevational view from a front side thereof;  
FIG. 3 is a side elevational view from a rear side thereof;  
FIG. 4 is a side elevational view from a left side thereof;  
FIG. 5 is a side elevational view from a right side thereof;  
FIG. 6 is a top plan view thereof; and,  
FIG. 7 is a bottom plan view thereof.  
The broken lines in the figures represent unclaimed subject matter and form no part of the claimed design.

**1 Claim, 7 Drawing Sheets**

- (56) **References Cited**  
U.S. PATENT DOCUMENTS  
D433,166 S \* 10/2000 Noll ..... D26/2  
D435,306 S \* 12/2000 McBride ..... D26/2  
D498,007 S \* 11/2004 Bobel ..... D26/2



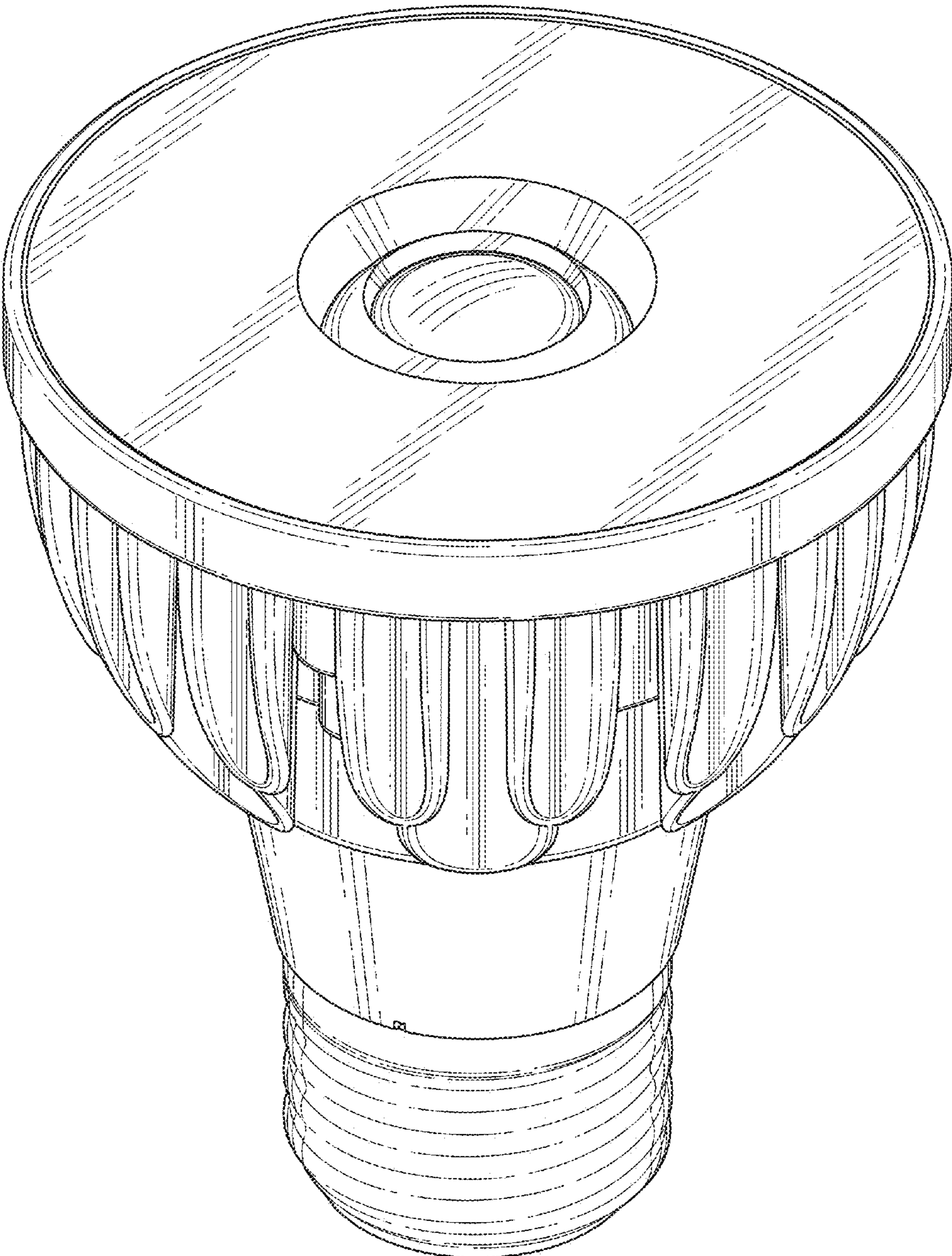


FIG. 1



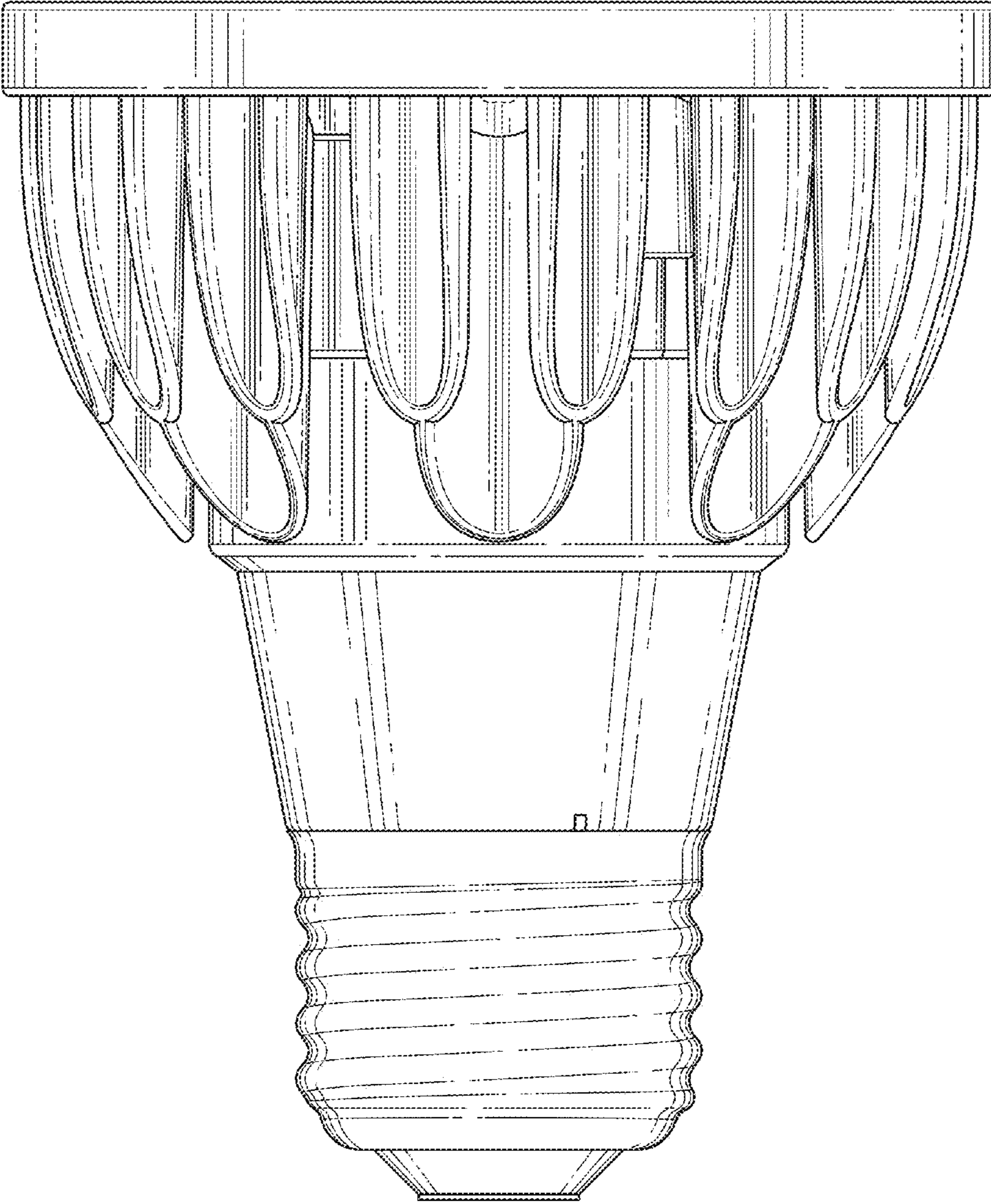


FIG. 2

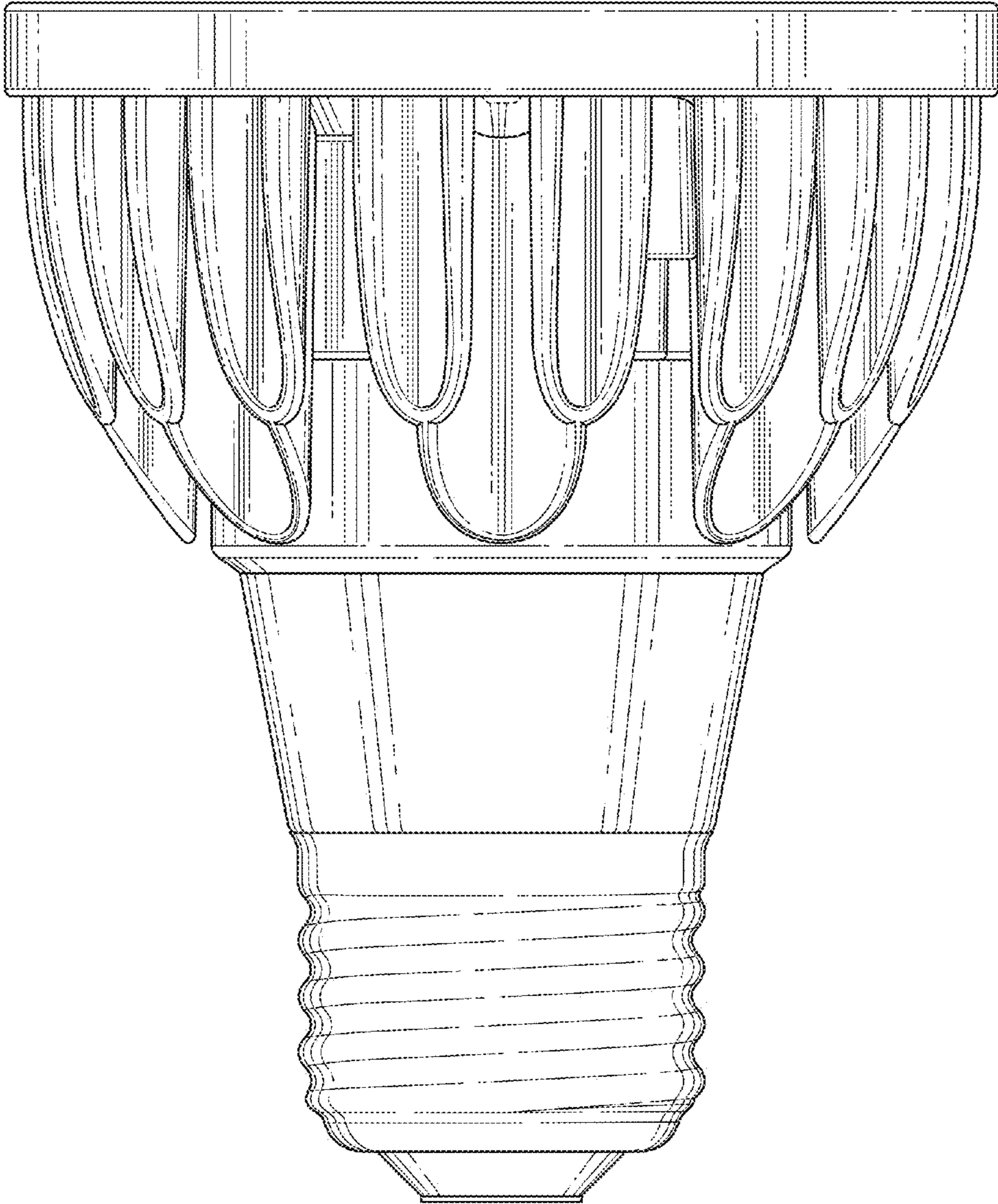


FIG. 3

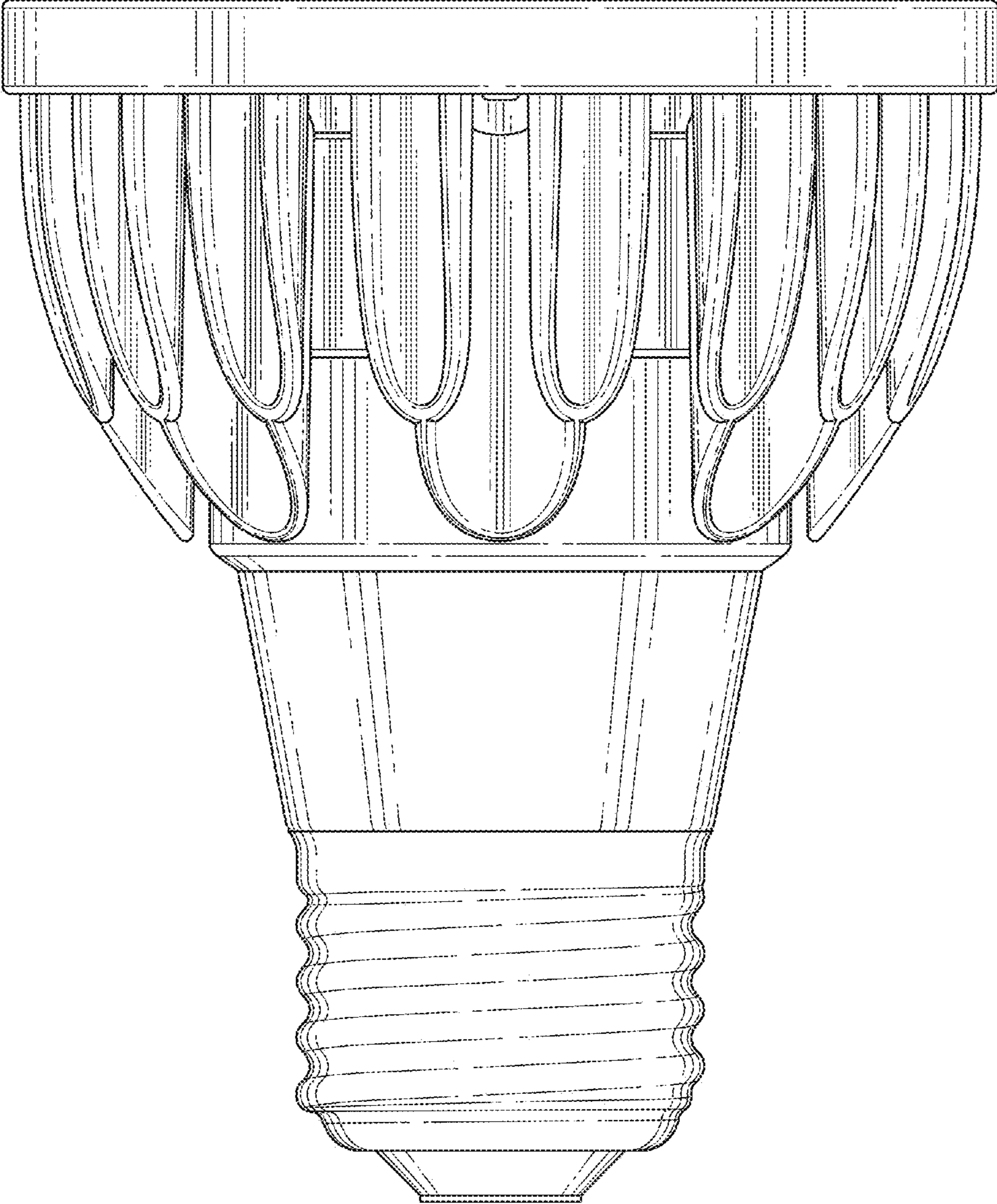


FIG. 4



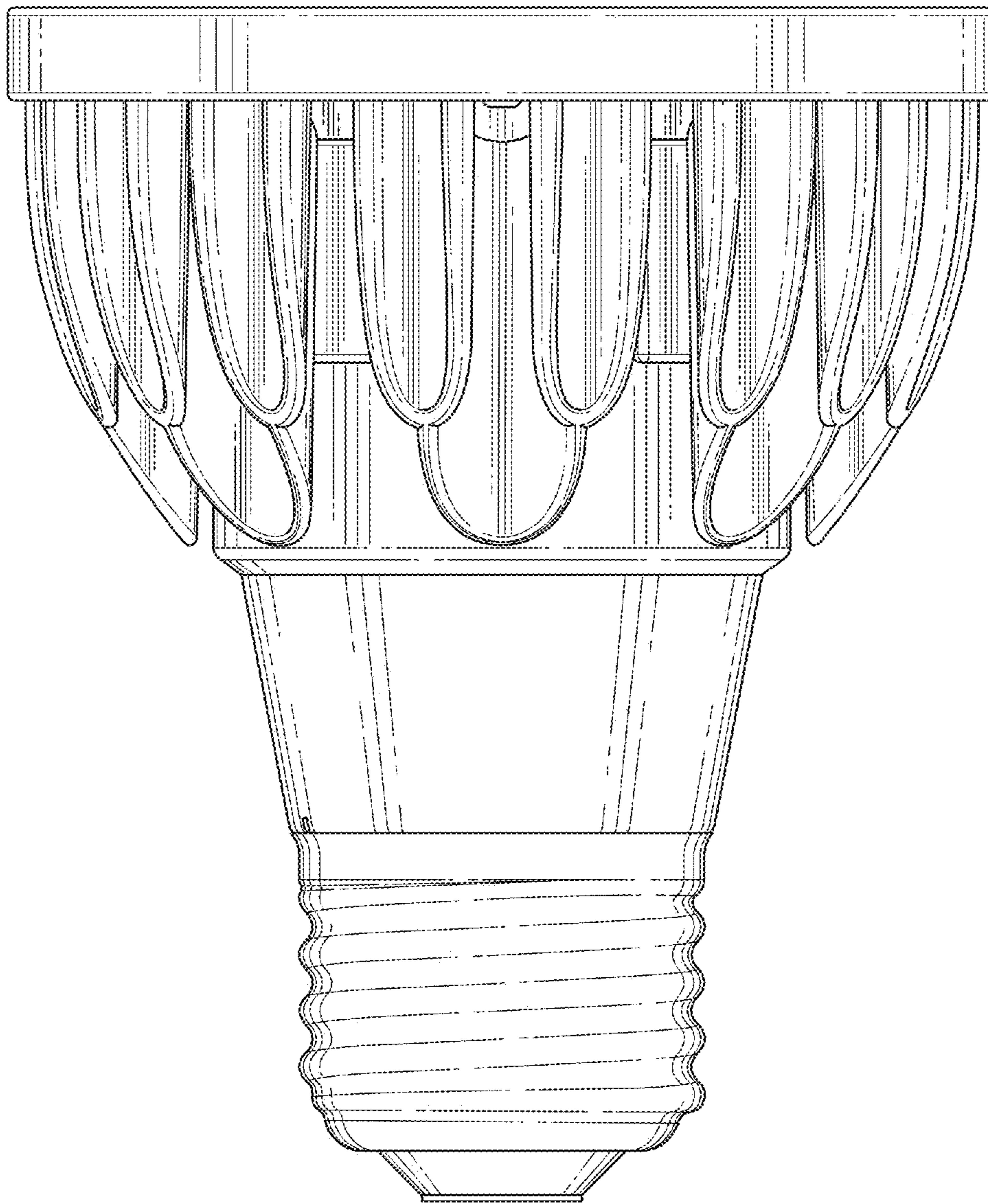


FIG. 5

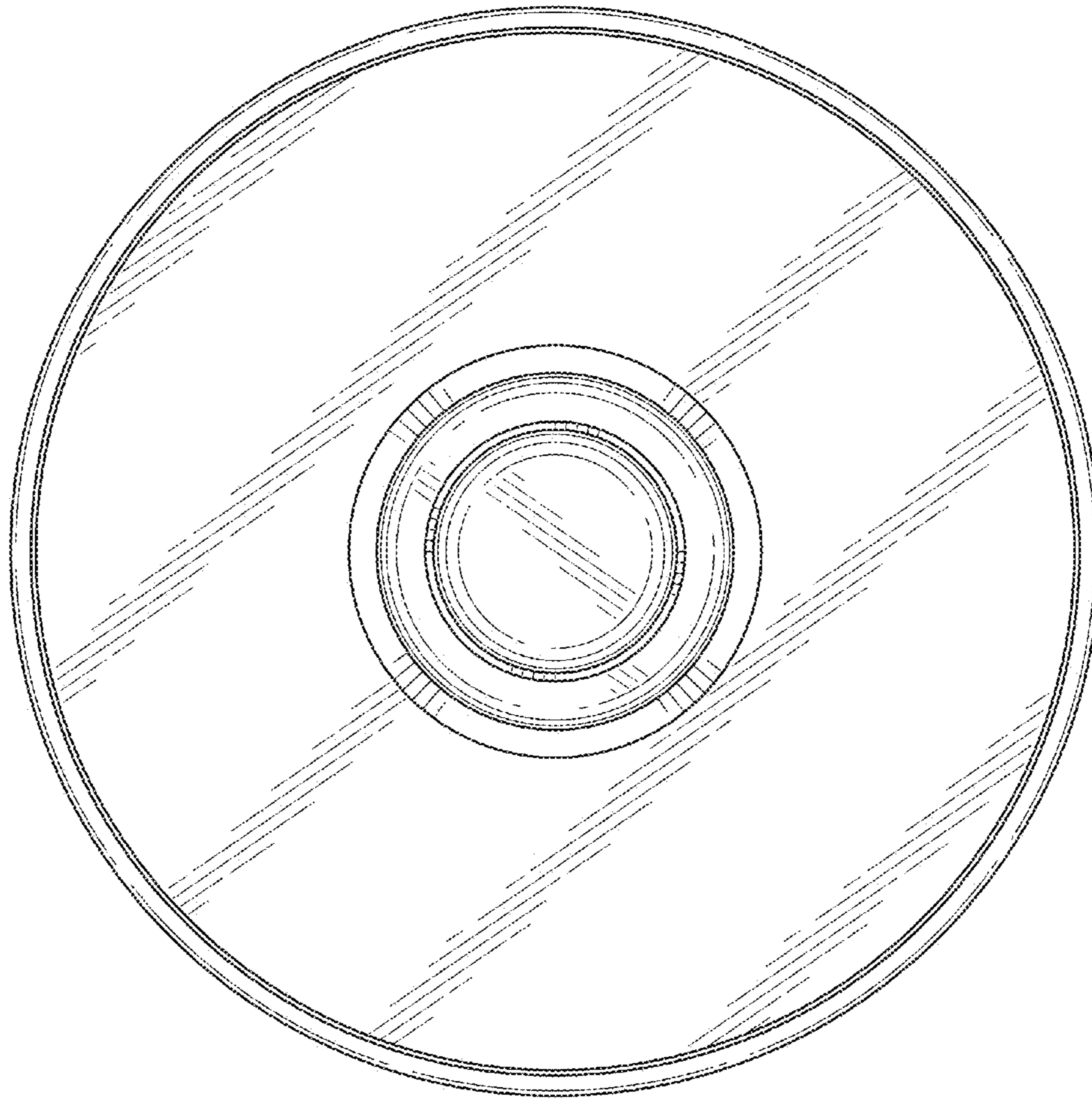


FIG. 6

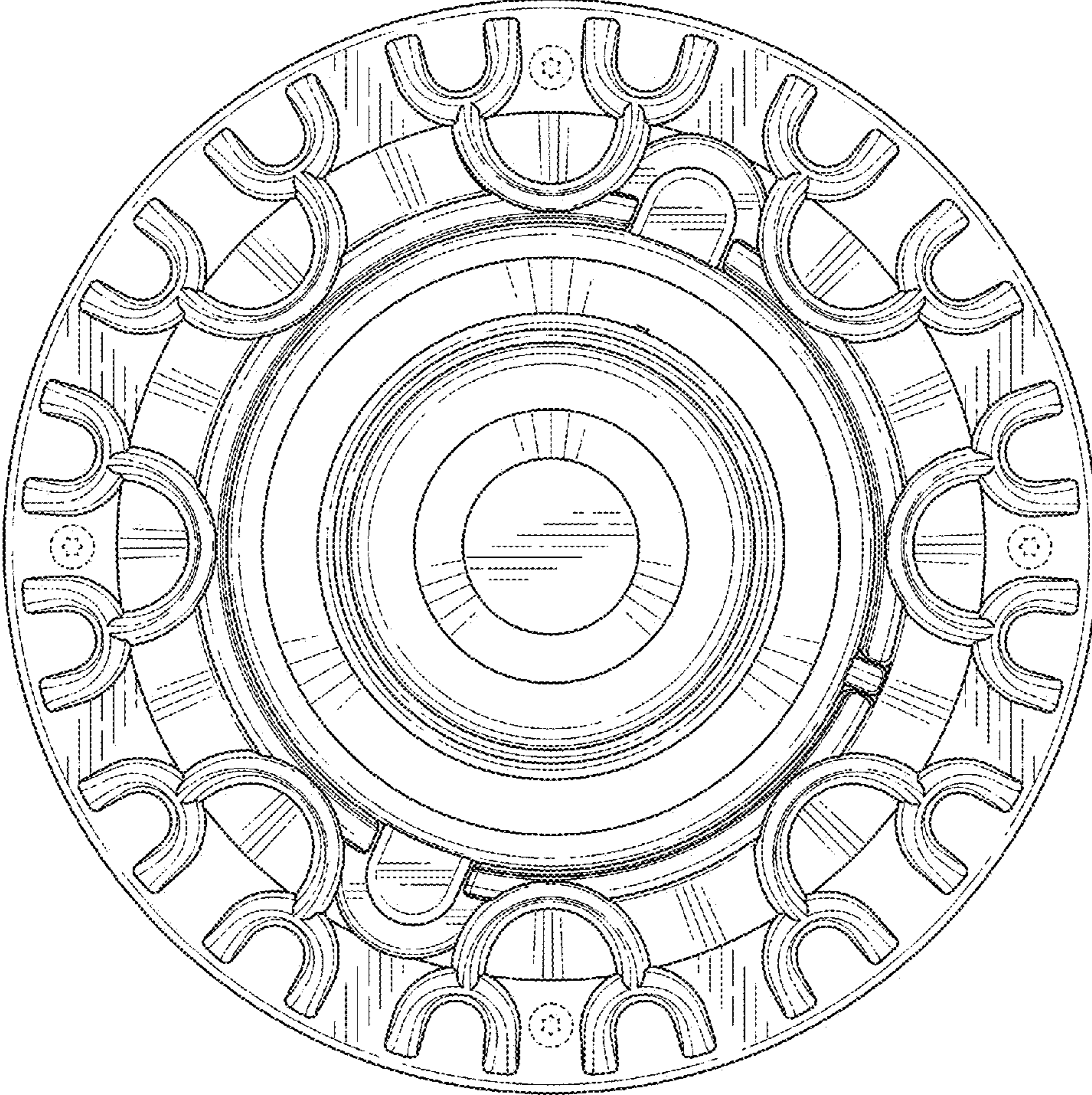


FIG. 7