



US00D741496S

(12) **United States Design Patent**
Oda

(10) **Patent No.:** **US D741,496 S**

(45) **Date of Patent:** **** Oct. 20, 2015**

(54) **ORTHODONTIC MOLAR APPLIANCE**

(71) Applicant: **3M INNOVATIVE PROPERTIES COMPANY**, St. Paul, MN (US)

(72) Inventor: **Todd I. Oda**, Torrance, CA (US)

(73) Assignee: **3M Innovative Properties Company**, St. Paul, MN (US)

(**) Term: **14 Years**

(21) Appl. No.: **29/495,666**

(22) Filed: **Jul. 2, 2014**

(51) **LOC (10) Cl.** **24-99**

(52) **U.S. Cl.**
USPC **D24/180**

(58) **Field of Classification Search**
USPC D24/176–182; 433/8–18
CPC A61C 7/00; A61C 7/08; A61C 7/12;
A61C 7/14; A61C 7/282
See application file for complete search history.

(56) **References Cited**

U.S. PATENT DOCUMENTS

4,609,350	A	9/1986	Krause	
5,151,028	A	9/1992	Snead	
5,464,349	A	11/1995	Andreiko	
5,556,277	A	9/1996	Yawata	
5,727,941	A	3/1998	Kesling	
6,174,163	B1	1/2001	Hiro	
6,358,044	B1	3/2002	Andreiko	
6,428,314	B1	8/2002	Jones, Jr.	
6,709,268	B2 *	3/2004	Pospisil et al.	433/17
6,893,257	B2	5/2005	Kelly	
8,251,697	B2 *	8/2012	Smith et al.	433/17
8,444,414	B2	5/2013	Moon	
D686,325	S	7/2013	Tuneberg	
8,585,399	B2 *	11/2013	Smith et al.	433/17
8,807,997	B2 *	8/2014	Smith et al.	433/17
D720,856	S *	1/2015	Faust et al.	D24/180
2003/0113682	A1	6/2003	Pospisil	

2003/0113683	A1	6/2003	Puttler
2003/0186185	A1	10/2003	Schultz
2004/0086826	A1	5/2004	Pospisil
2004/0121278	A1	6/2004	Kelly
2008/0070183	A1	3/2008	Sondhi
2009/0233252	A1	9/2009	Cinader, Jr.
2011/0212408	A1	9/2011	Kalange
2012/0288815	A1	11/2012	Cohen

FOREIGN PATENT DOCUMENTS

DE	20319773	3/2004
EP	0820735	1/1998
EP	0976368	2/2000
IL	107652	2/1998
KR	101019290	3/2011
WO	WO 2007-127877	11/2007
WO	WO 2008-031060	3/2008
WO	WO 2011-019364	2/2011

* cited by examiner

Primary Examiner — Wan Laymon

(74) *Attorney, Agent, or Firm* — Kevin Weber

(57) **CLAIM**

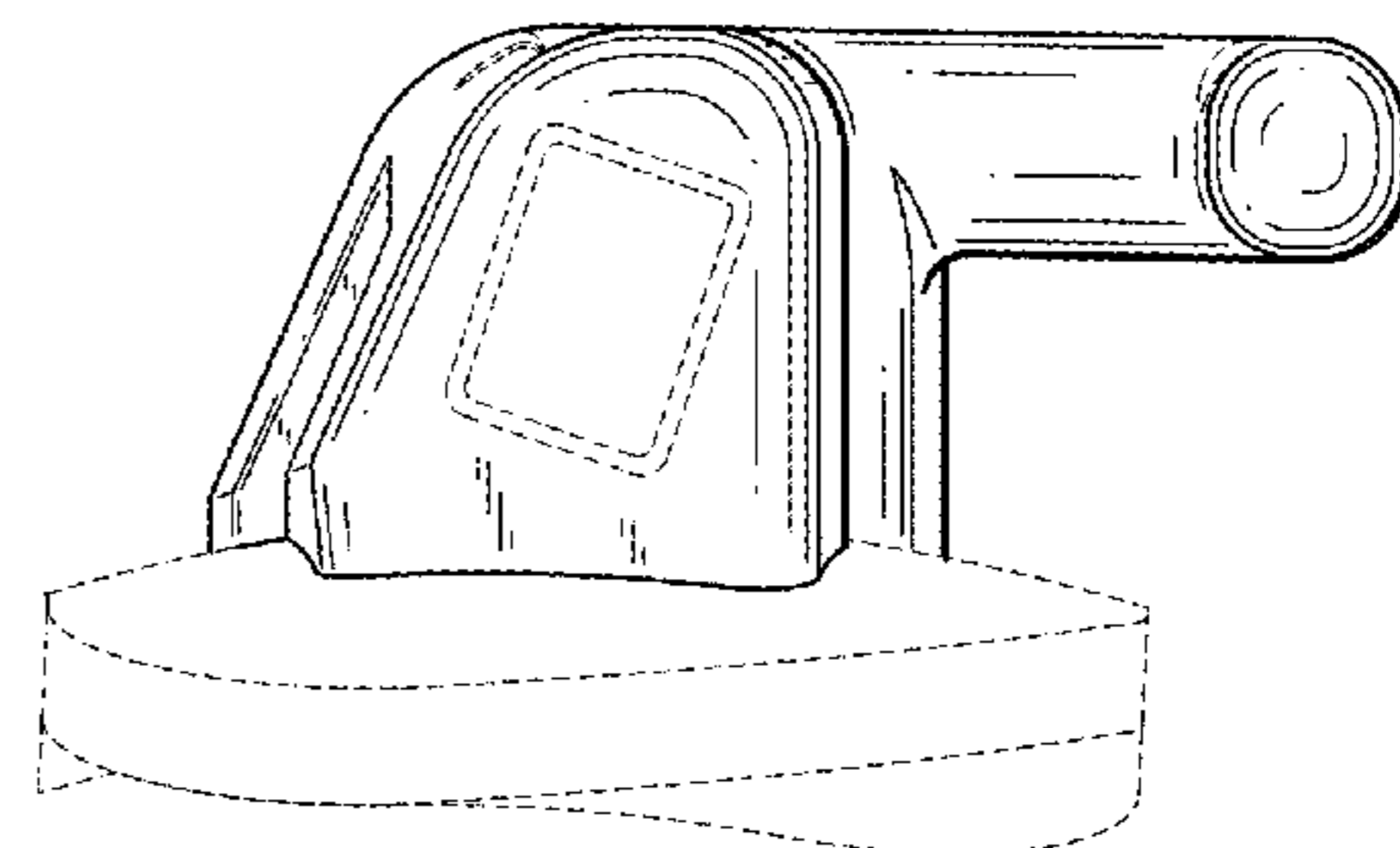
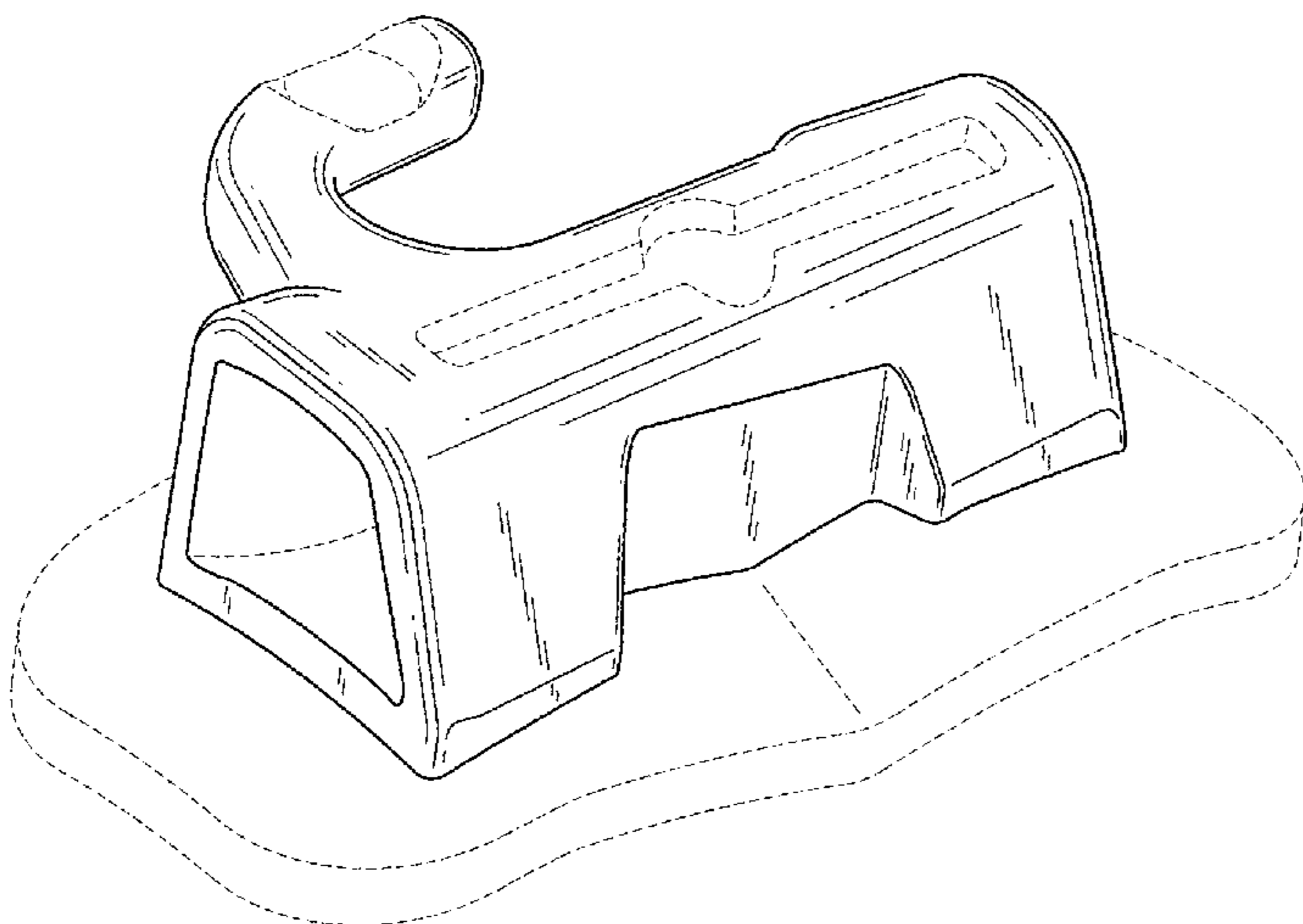
The ornamental design for an orthodontic molar appliance, as shown and described.

DESCRIPTION

FIG. 1 is a perspective view of an orthodontic molar appliance showing the new design; FIG. 2 is a top view thereof; FIG. 3 is a bottom view thereof; FIG. 4 is a left side view thereof; FIG. 5 is a front end view thereof; FIG. 6 is a rear end view thereof; and, FIG. 7 is a right side view thereof.

It is understood that the surface shading is not intended to be indicative of gloss or texture. The broken lines shown in the figures represent portions of the orthodontic molar appliance that form no part of the claimed design.

1 Claim, 3 Drawing Sheets



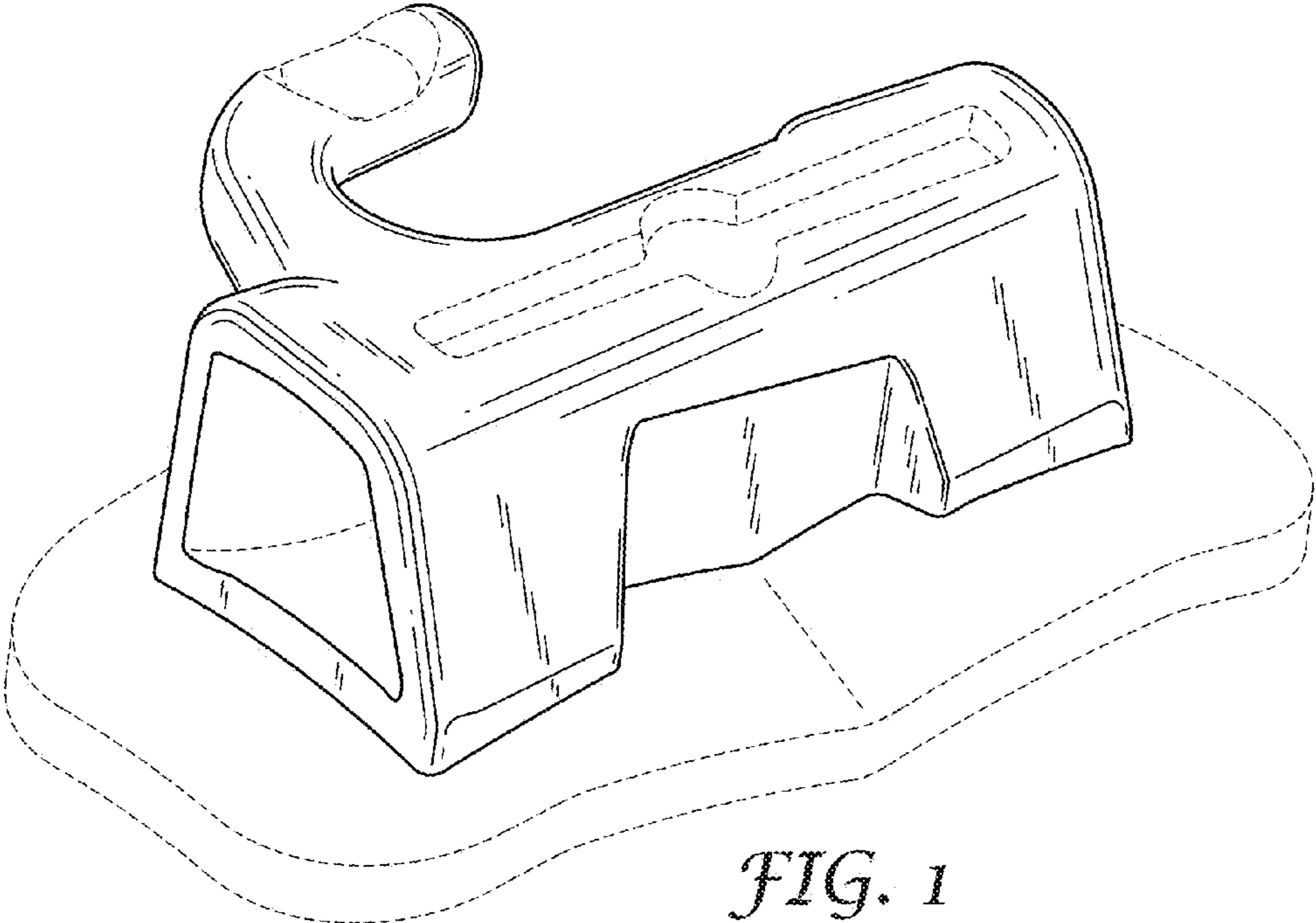


FIG. 1

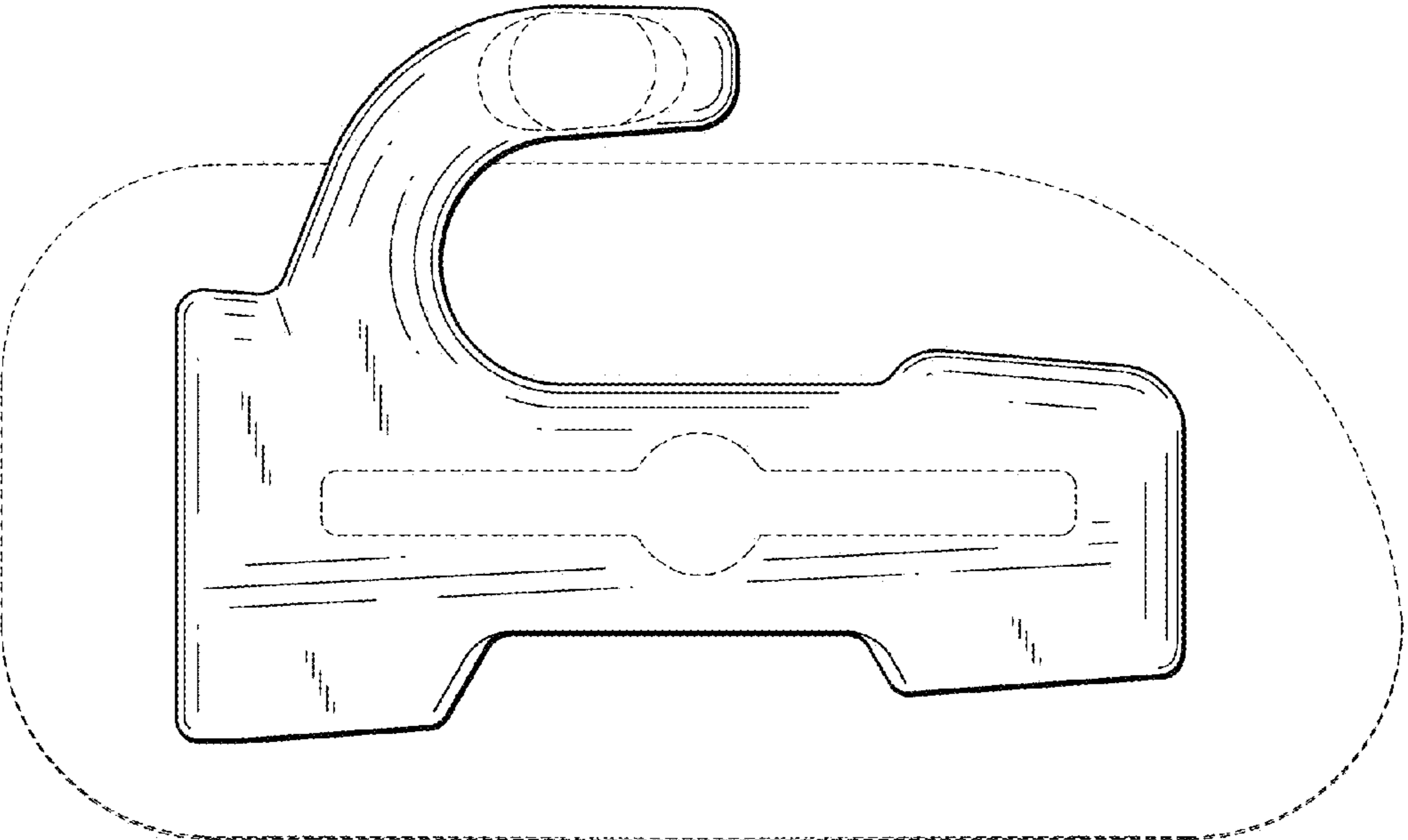


FIG. 2

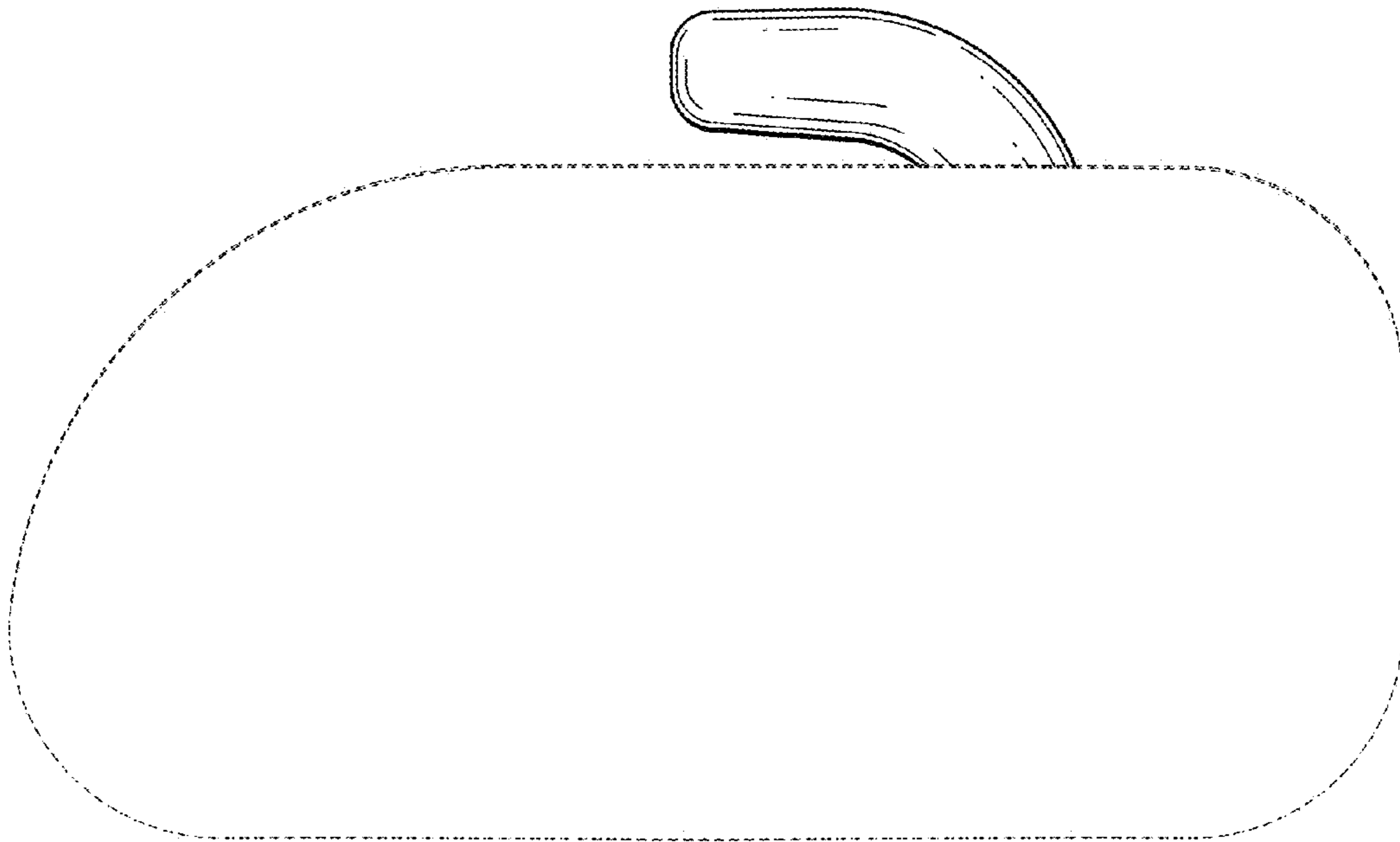


FIG. 3

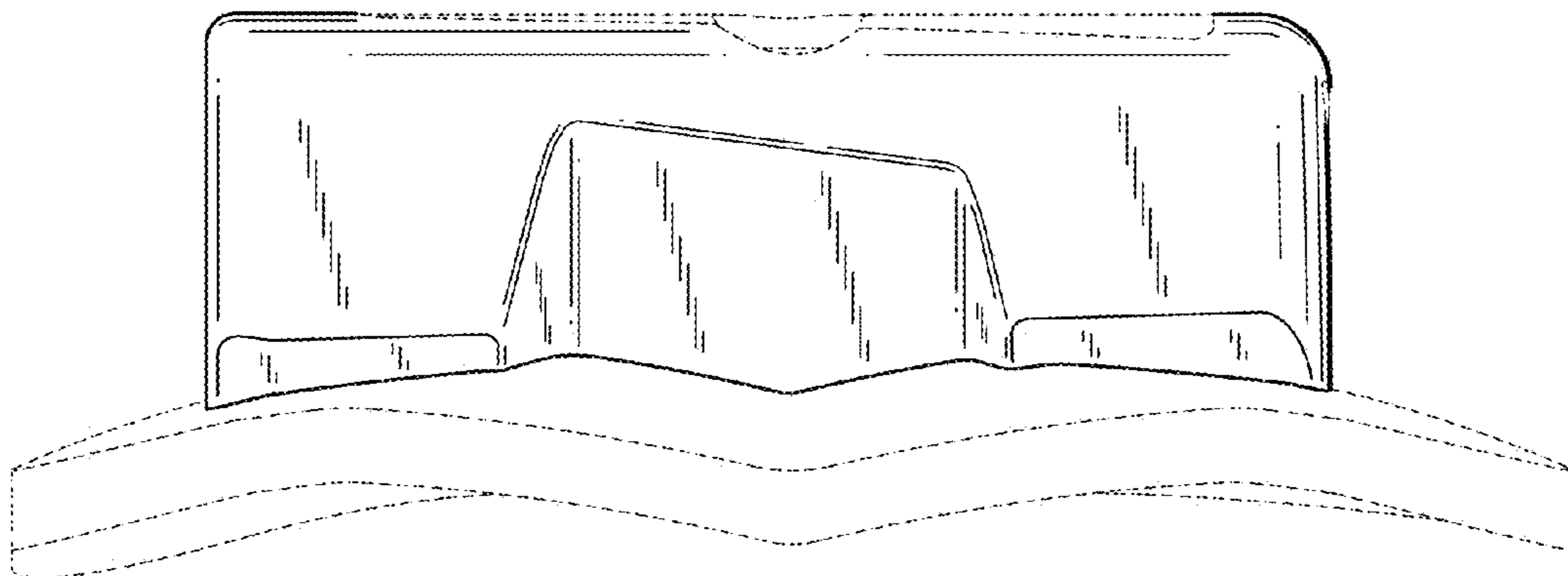


FIG. 4

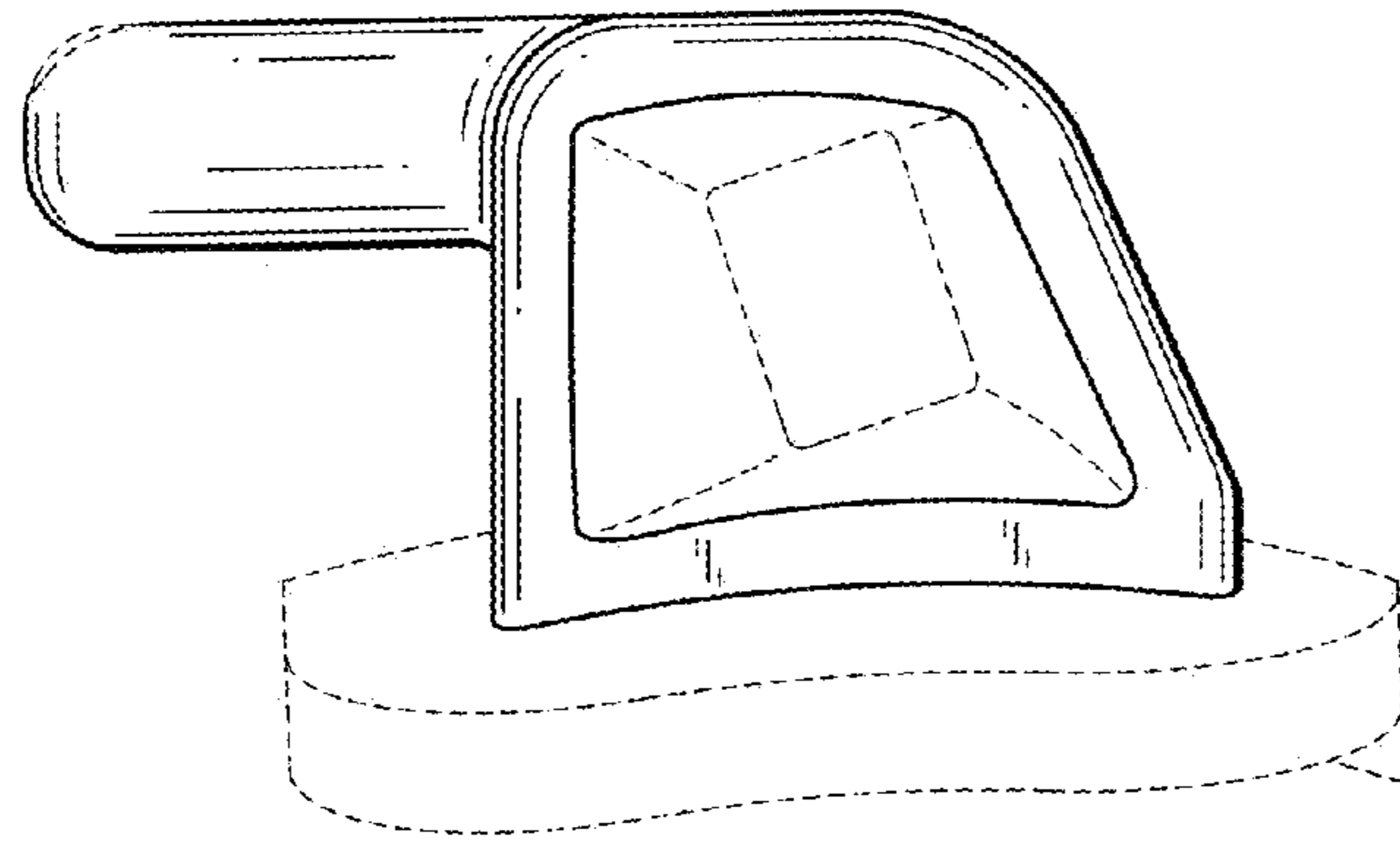


FIG. 5

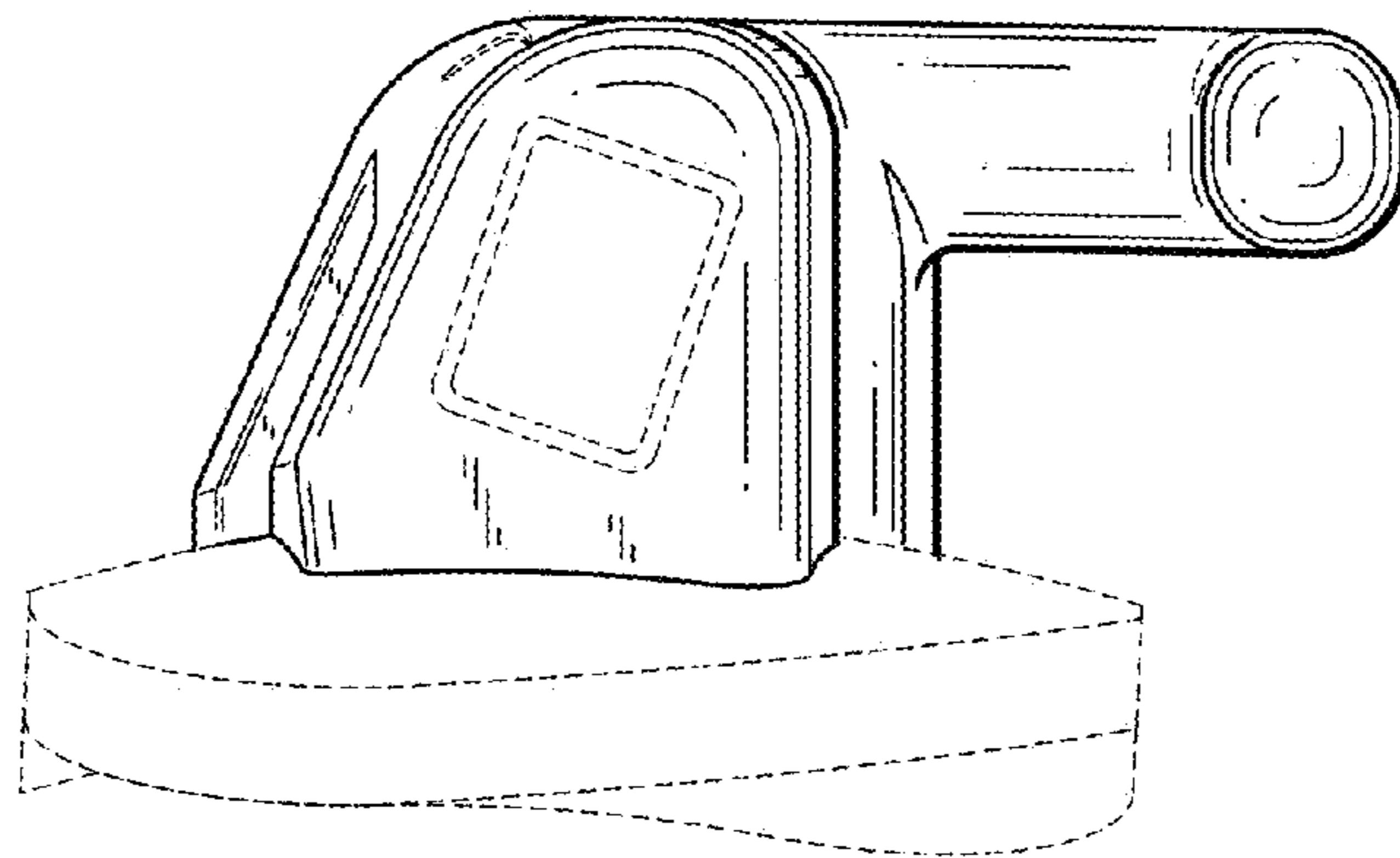


FIG. 6

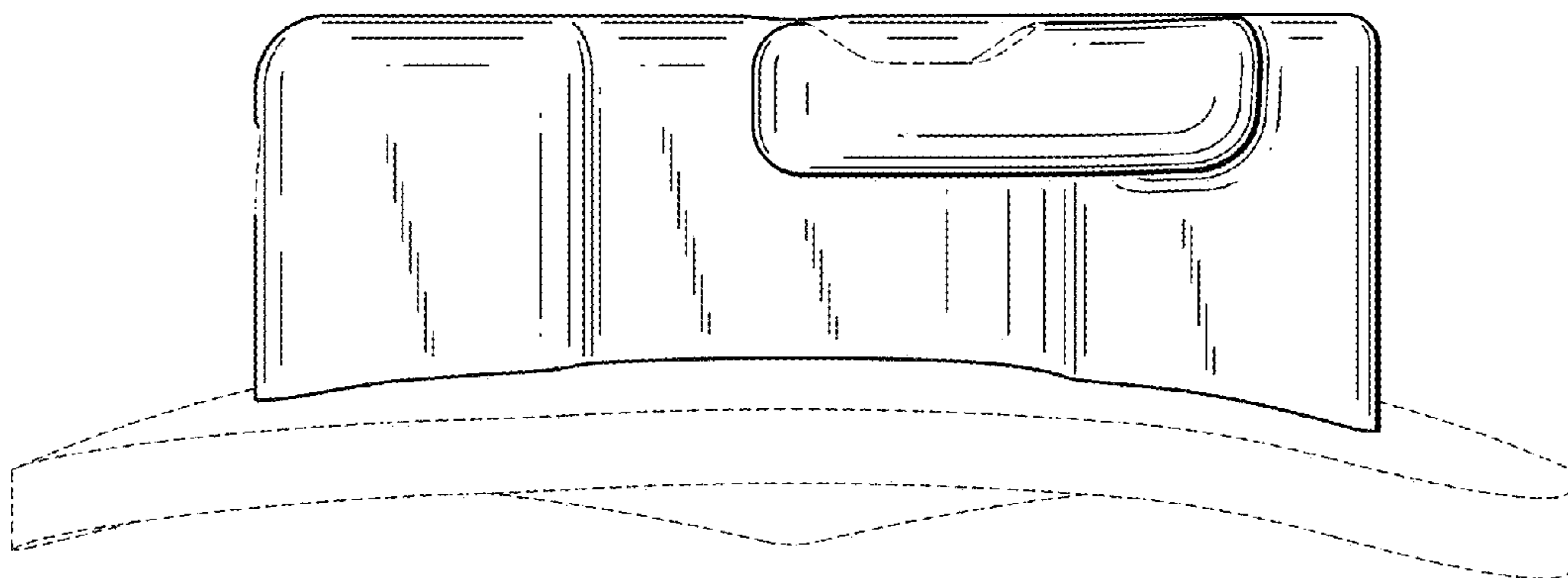


FIG. 7