



US00D741494S

(12) **United States Design Patent**
Wagner

(10) **Patent No.:** **US D741,494 S**

(45) **Date of Patent:** **** Oct. 20, 2015**

(54) **DENTAL PROPHY CUP WITH A FRONTAL ORIFICE**

(71) Applicant: **Eugene Carl Wagner**, Pacific Palisades, CA (US)

(72) Inventor: **Eugene Carl Wagner**, Pacific Palisades, CA (US)

(**) Term: **14 Years**

(21) Appl. No.: **29/474,441**

(22) Filed: **Sep. 22, 2014**

(51) **LOC (10) Cl.** **24-02**

(52) **U.S. Cl.**
USPC **D24/176**

(58) **Field of Classification Search**
USPC D24/176-180; 433/125, 133, 166
CPC A61C 3/06; A61C 17/005; A61C 17/00;
A61C 15/047; A61C 17/22
See application file for complete search history.

(56) **References Cited**

U.S. PATENT DOCUMENTS

- 4,486,175 A * 12/1984 Fisher et al. 433/104
- 4,929,180 A * 5/1990 Moreschini 433/166

- 5,083,922 A * 1/1992 Yale 433/166
- 5,380,202 A * 1/1995 Brahler 433/166
- 5,405,265 A * 4/1995 Mendoza 433/166
- D368,523 S * 4/1996 Mendoza D24/180
- D413,384 S * 8/1999 Hanley et al. D24/176
- 8,784,102 B1 * 7/2014 Kumar 433/166
- 2009/0081609 A1 * 3/2009 Kalbfeld et al. 433/125
- 2013/0149666 A1 * 6/2013 Chalifoux 433/166

* cited by examiner

Primary Examiner — Wan Laymon

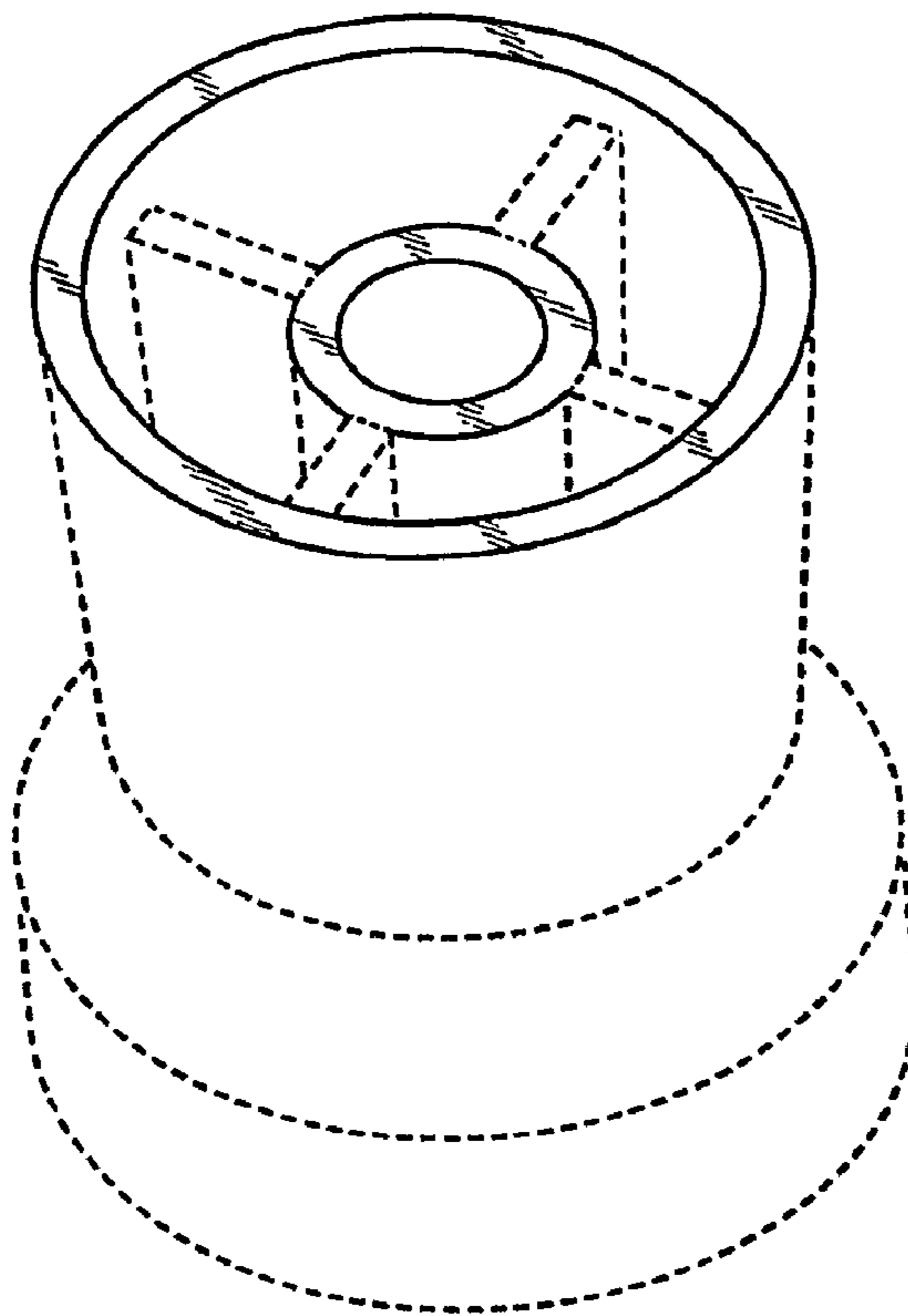
(57) **CLAIM**

The ornamental design for a dental prophy cup with a frontal orifice, as shown and described.

DESCRIPTION

FIG. 1 is a perspective view of a dental prophy cup with a frontal orifice;
FIG. 2 is a side view thereof; and,
FIG. 3 is a frontal view thereof.
The broken line showing in FIGS. 1-3 is for the purpose of illustrating environmental structure and forms no part of the claimed design.

1 Claim, 2 Drawing Sheets



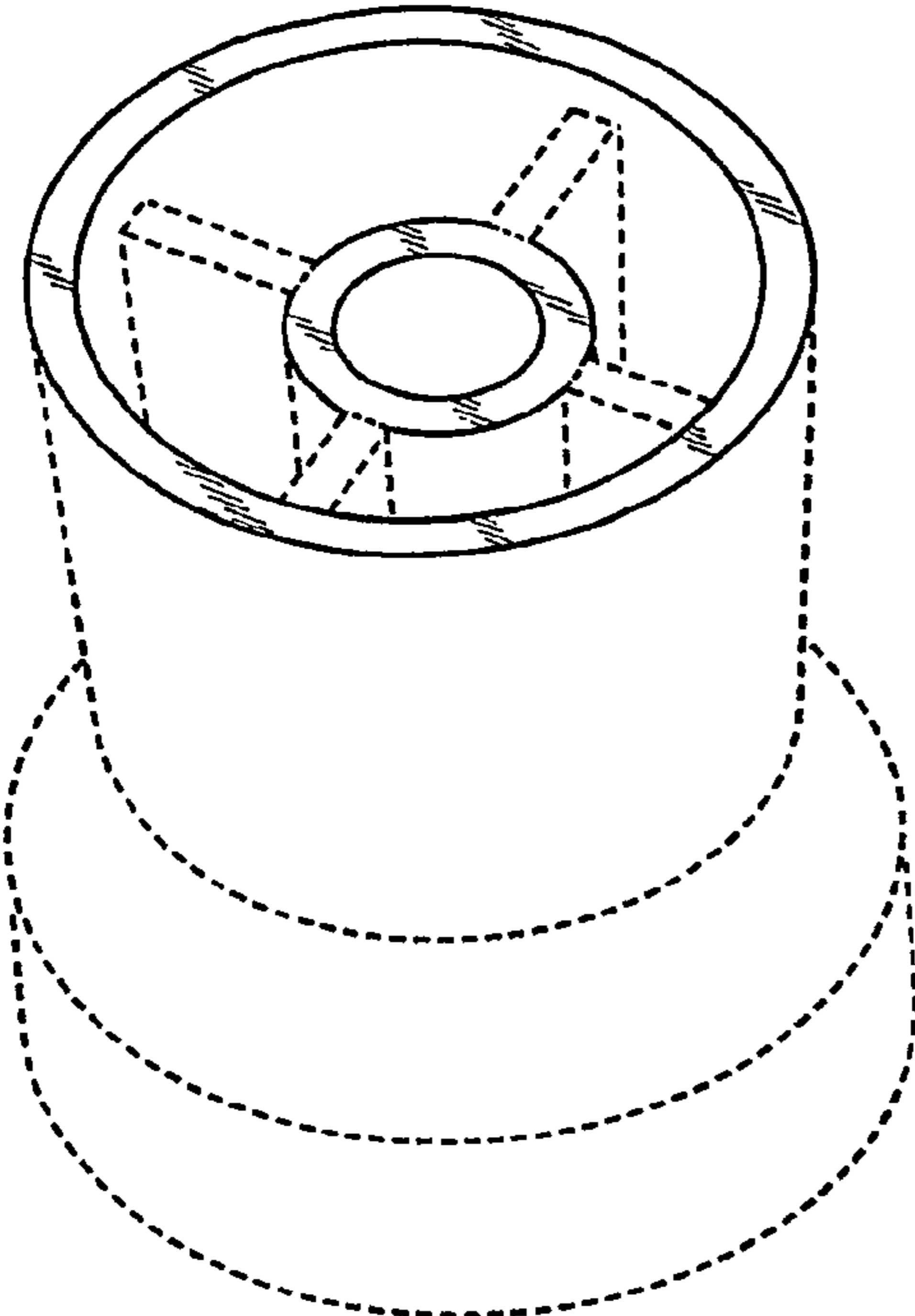


FIG. 1

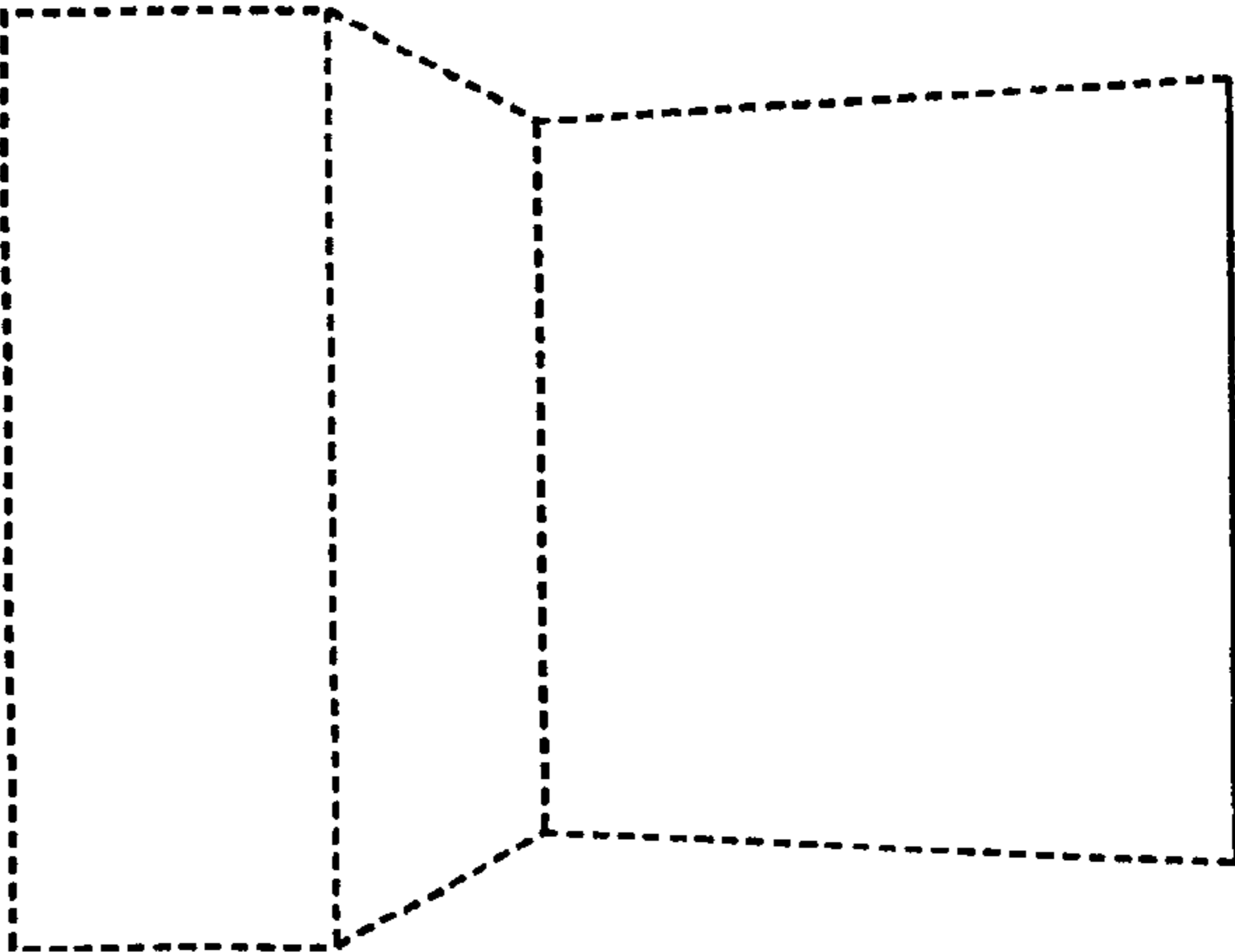


FIG. 2

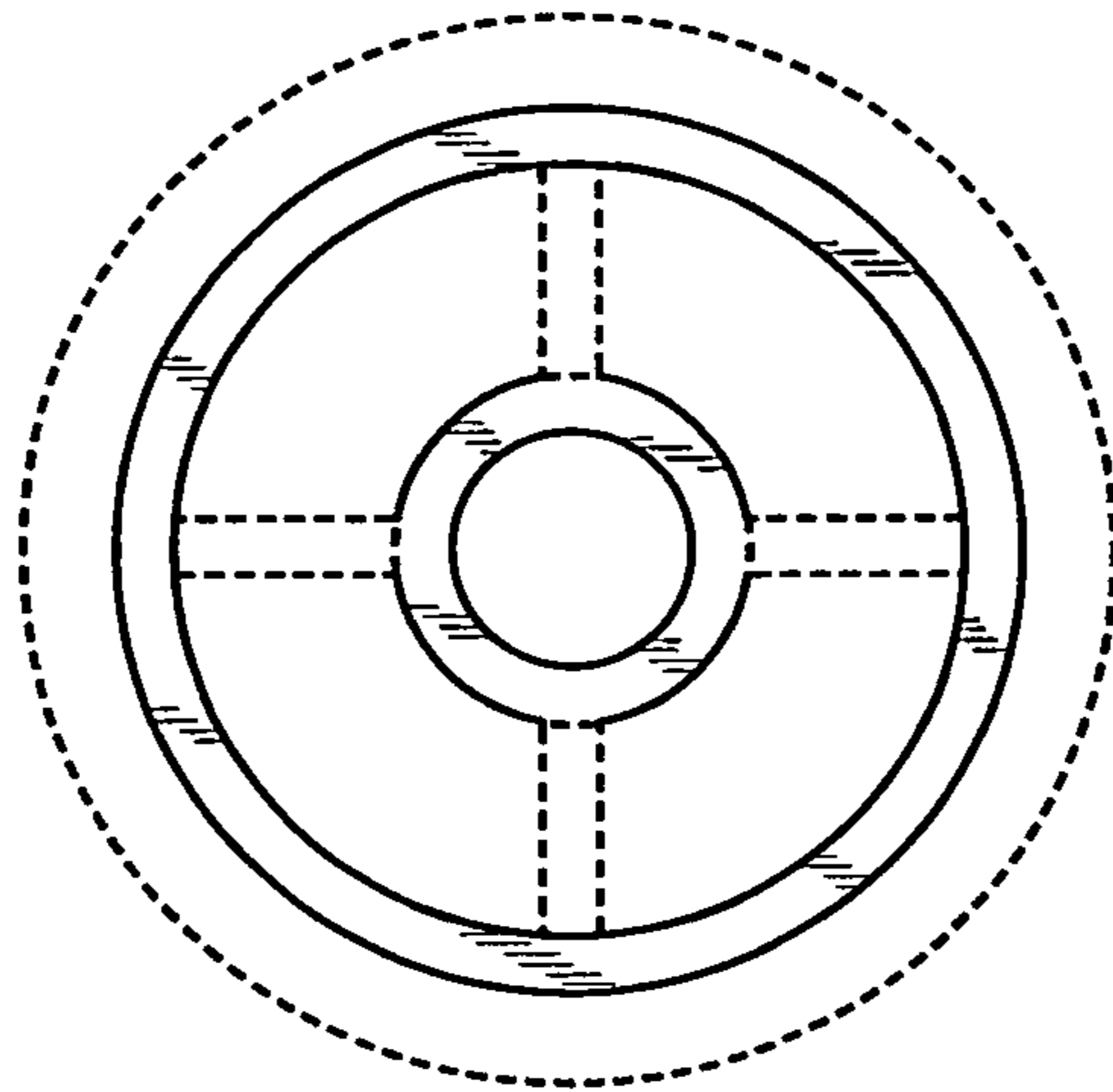


FIG. 3