



US00D741492S

(12) **United States Design Patent**  
**Formica et al.**

(10) **Patent No.:** **US D741,492 S**

(45) **Date of Patent:** **\*\* Oct. 20, 2015**

(54) **MONITORING DEVICE**

(71) Applicant: **ResMed R&D Germany GmbH**,  
Martinsried (DE)

(72) Inventors: **Justin John Formica**, Voyager Point  
(AU); **Adel Nibu**, Grafrath (DE); **Achim  
Biener**, Aufkirchen (DE); **Jamie  
Graeme Wehbeh**, Mosman (AU)

(73) Assignee: **ResMed R&D Germany**, Martinsried  
(DE)

(\*\*) Term: **14 Years**

(21) Appl. No.: **29/454,775**

(22) Filed: **May 14, 2013**

(51) **LOC (10) Cl.** ..... **24-00**

(52) **U.S. Cl.**  
USPC ..... **D24/164**

(58) **Field of Classification Search**

USPC ..... D24/164, 184, 162, 110, 129, 110.5,  
D24/158, 169, 107, 167, 186, 163;  
128/205.24, 204.21; D23/235;  
137/512, 102

See application file for complete search history.

(56) **References Cited**

**U.S. PATENT DOCUMENTS**

D452,012 S	*	12/2001	Phillips	.....	D24/186
D490,516 S	*	5/2004	Takahashi et al.	.....	D24/107
D554,266 S	*	10/2007	Striepe et al.	.....	D24/186
D606,659 S	*	12/2009	Kiani et al.	.....	D24/186
D609,351 S	*	2/2010	Wagener et al.	.....	D24/186
D627,476 S	*	11/2010	Gaw et al.	.....	D24/186
D634,431 S	*	3/2011	Severe et al.	.....	D24/167
D652,522 S	*	1/2012	Koester	.....	D24/186
D678,531 S	*	3/2013	Patil	.....	D24/186
D702,354 S	*	4/2014	Larsen et al.	.....	D24/164
D707,823 S	*	6/2014	Scherbing	.....	D24/163

\* cited by examiner

*Primary Examiner* — Holly Baynham

*Assistant Examiner* — Rhea Shields

(74) *Attorney, Agent, or Firm* — Nixon and Vanderhye P.C.

(57) **CLAIM**

The ornamental design for a monitoring device, as shown and described.

**DESCRIPTION**

FIG. 1 is a front perspective view of a monitoring device showing a first embodiment according to our new ornamental design;

FIG. 2 is front view thereof;

FIG. 3 is a rear view thereof;

FIG. 4 is a top view thereof;

FIG. 5 is a left side view thereof;

FIG. 6 is a right side view thereof;

FIG. 7 is a rear perspective view thereof;

FIG. 8 is another front perspective view thereof;

FIG. 9 is a front perspective view of a monitoring device showing a second embodiment according to our new ornamental design;

FIG. 10 is a front view thereof;

FIG. 11 is a rear view thereof;

FIG. 12 is a top view thereof;

FIG. 13 is a left side view thereof;

FIG. 14 is a right side view thereof;

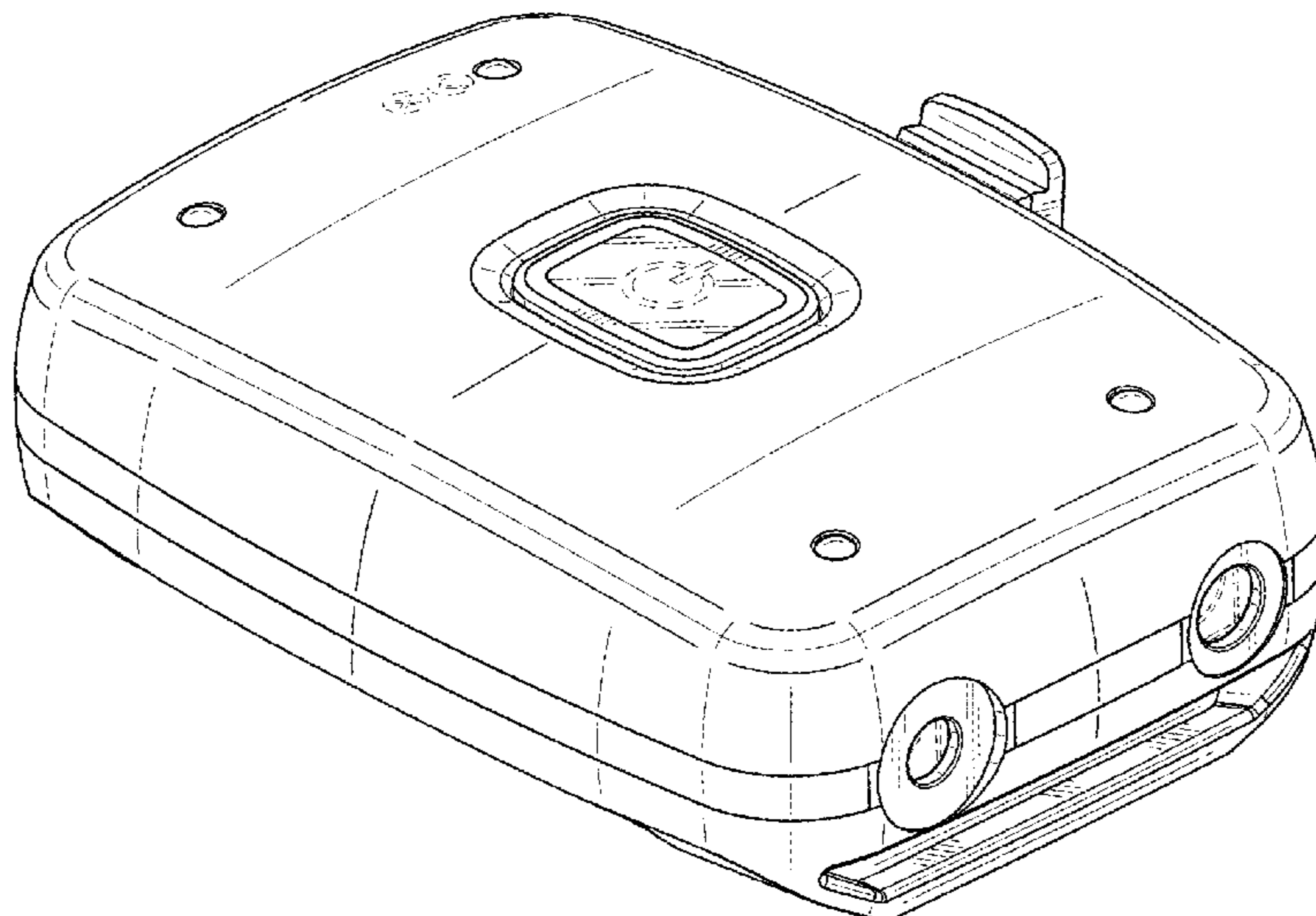
FIG. 15 is a rear perspective view thereof; and,

FIG. 16 is another front perspective view thereof.

The broken lines represent environment only and do not form a portion of the claimed design.

One or more views (e.g., the bottom view) may be omitted and therefore does not form a part of the claimed design.

**1 Claim, 10 Drawing Sheets**



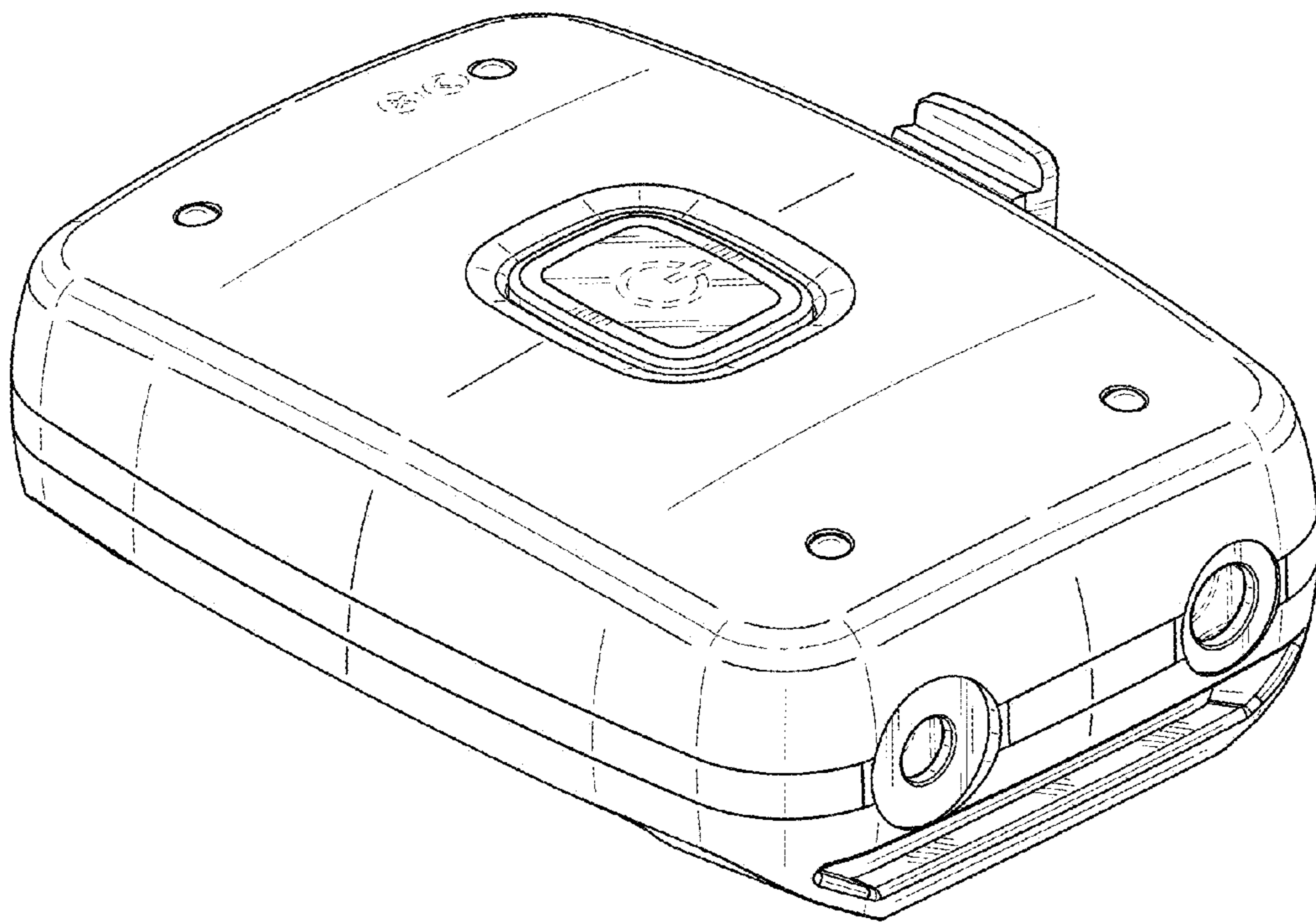


FIG. 1

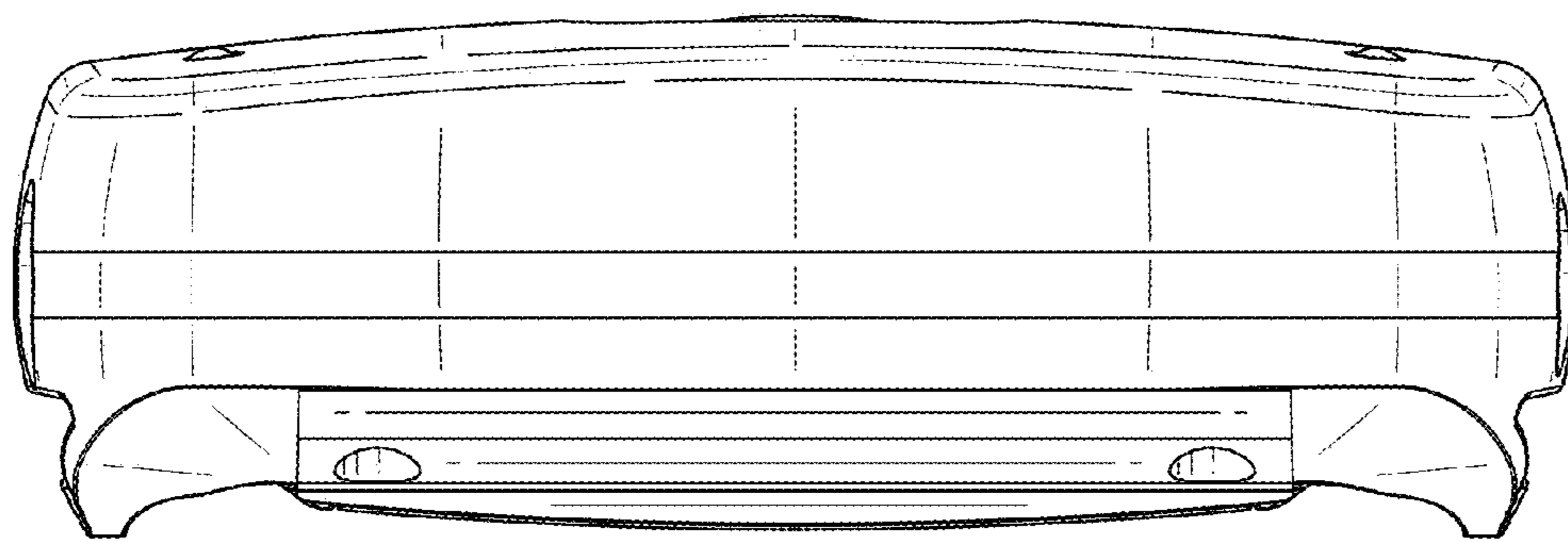


FIG. 2

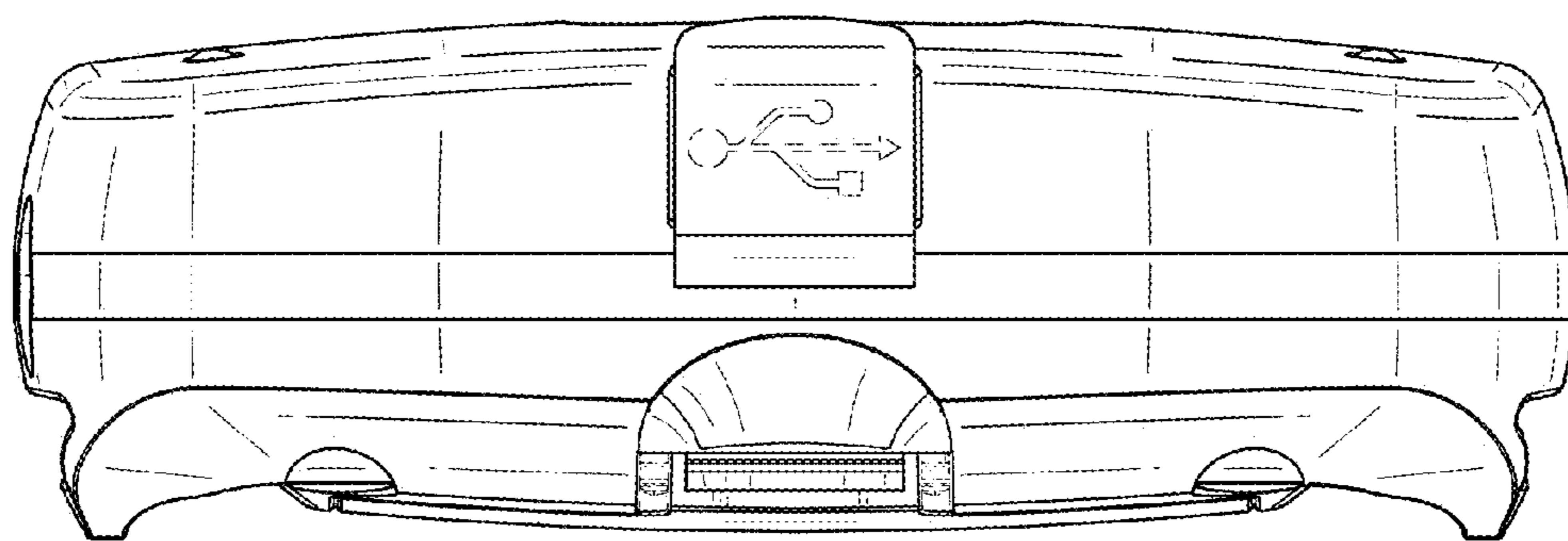


FIG. 3

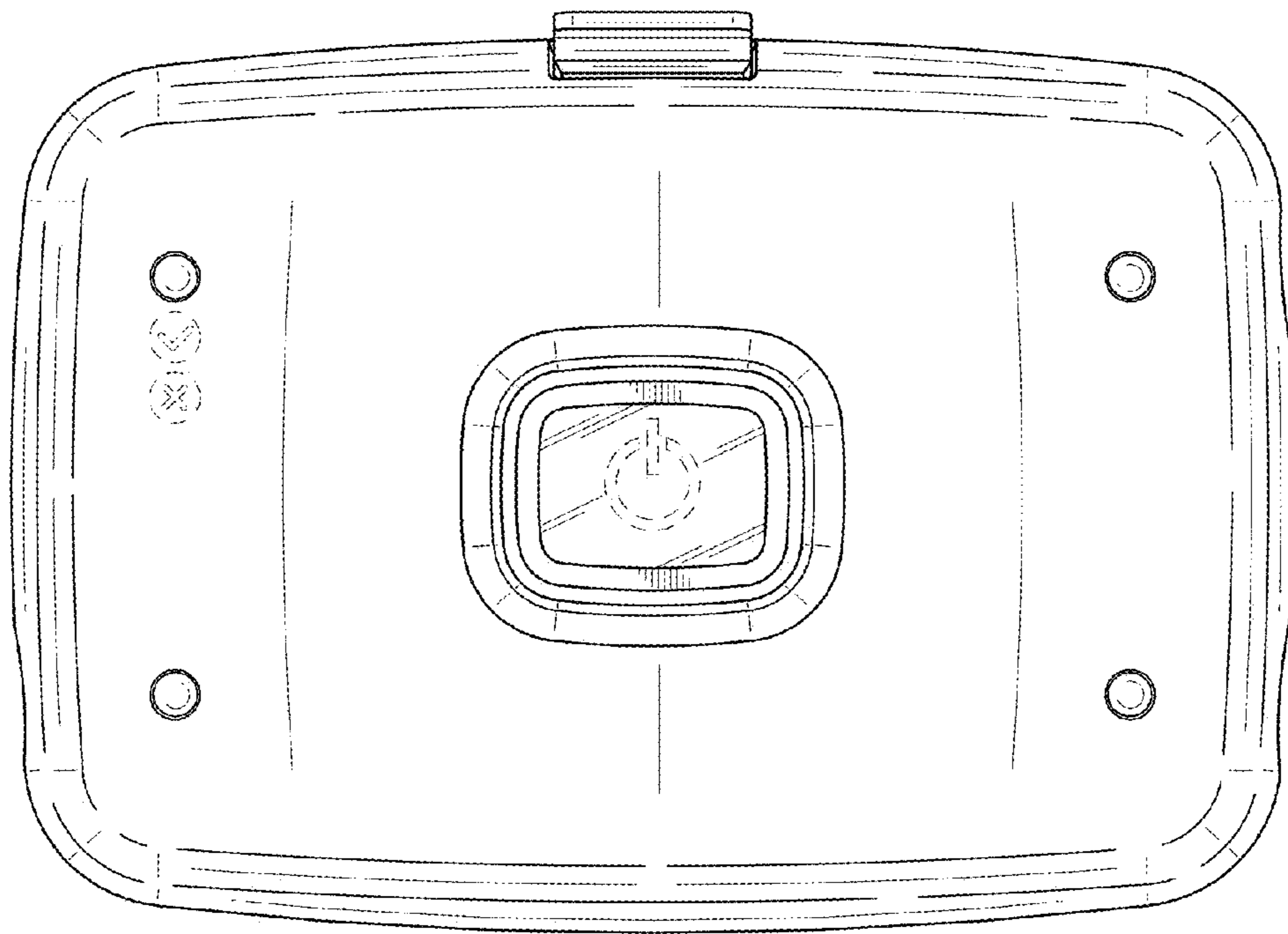


FIG. 4

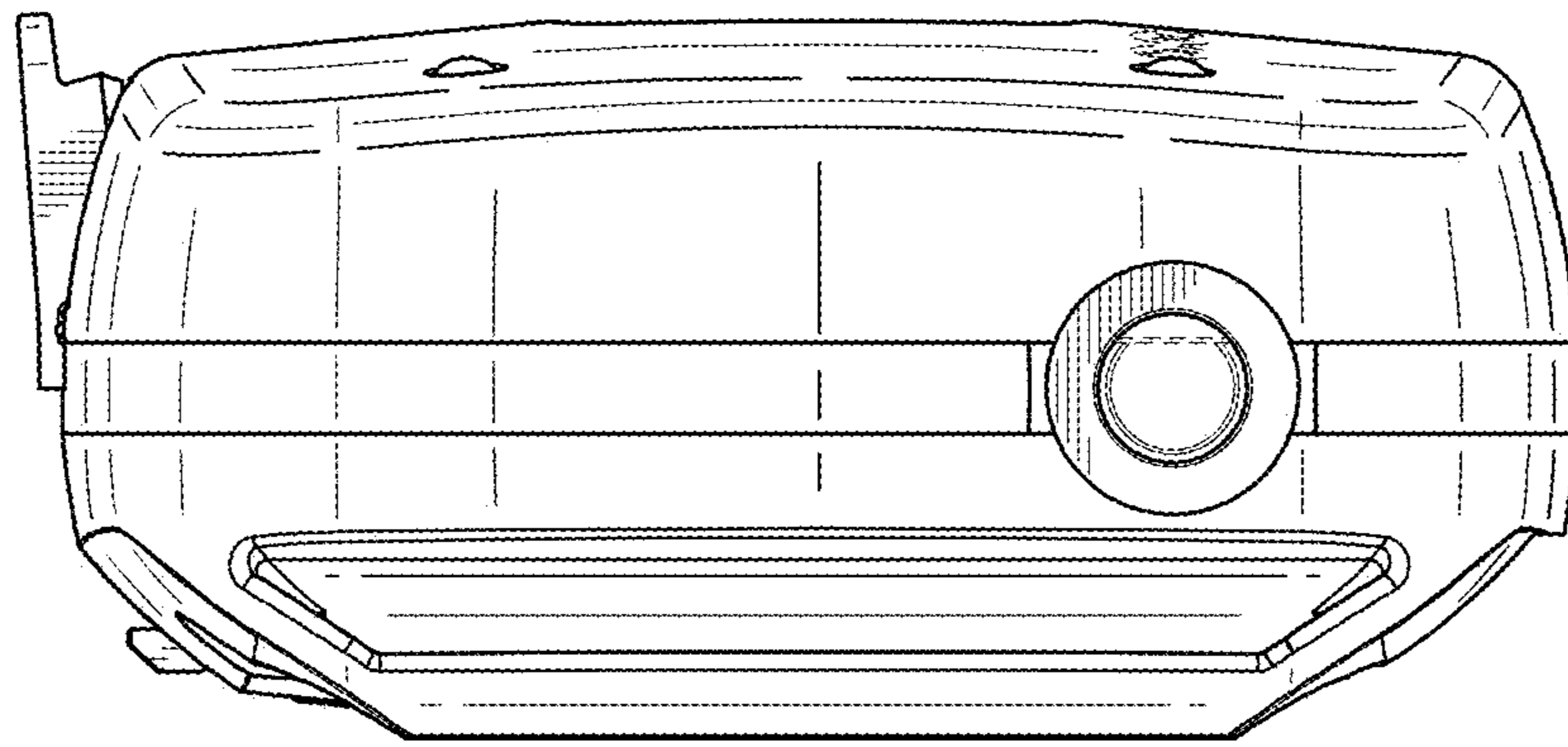


FIG. 5

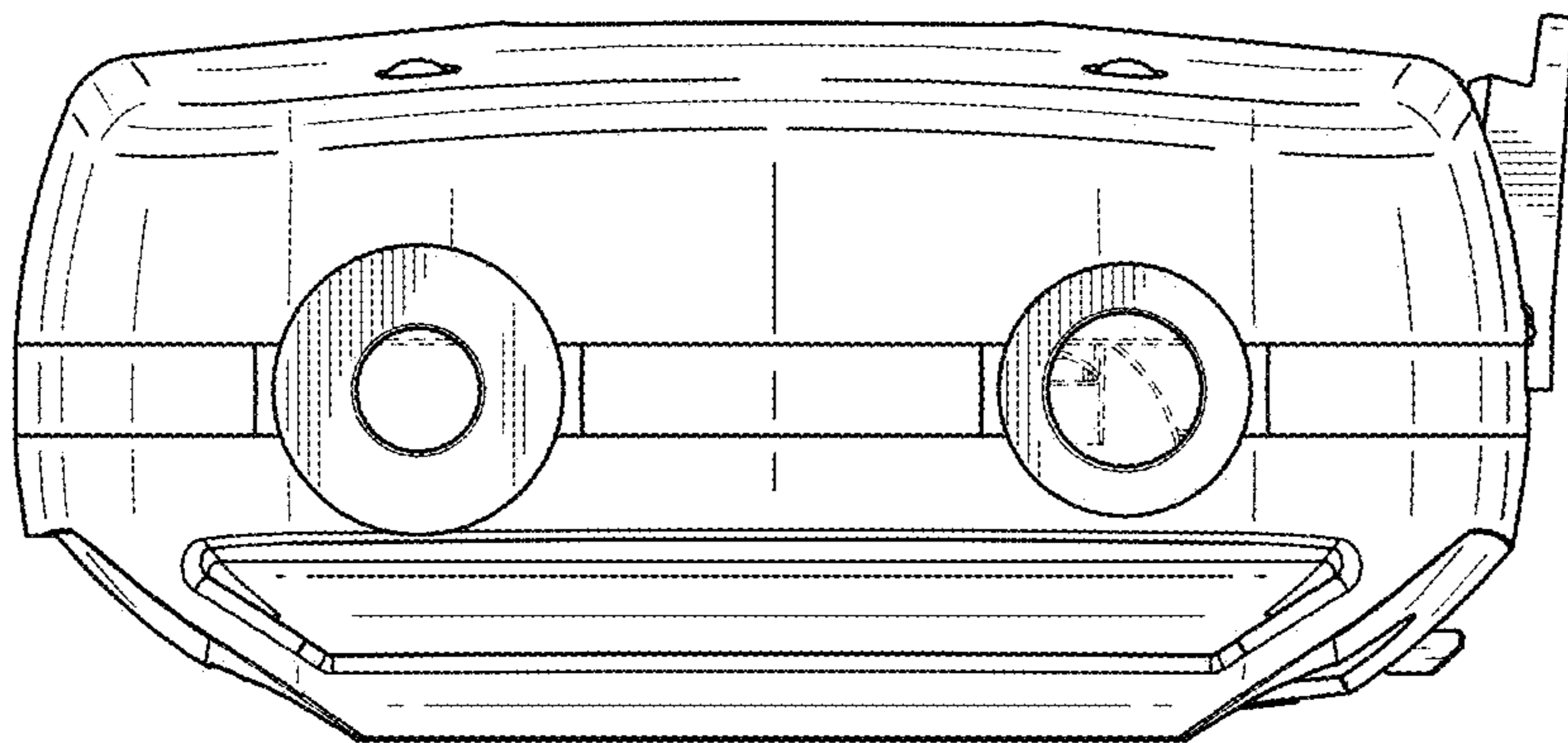


FIG. 6

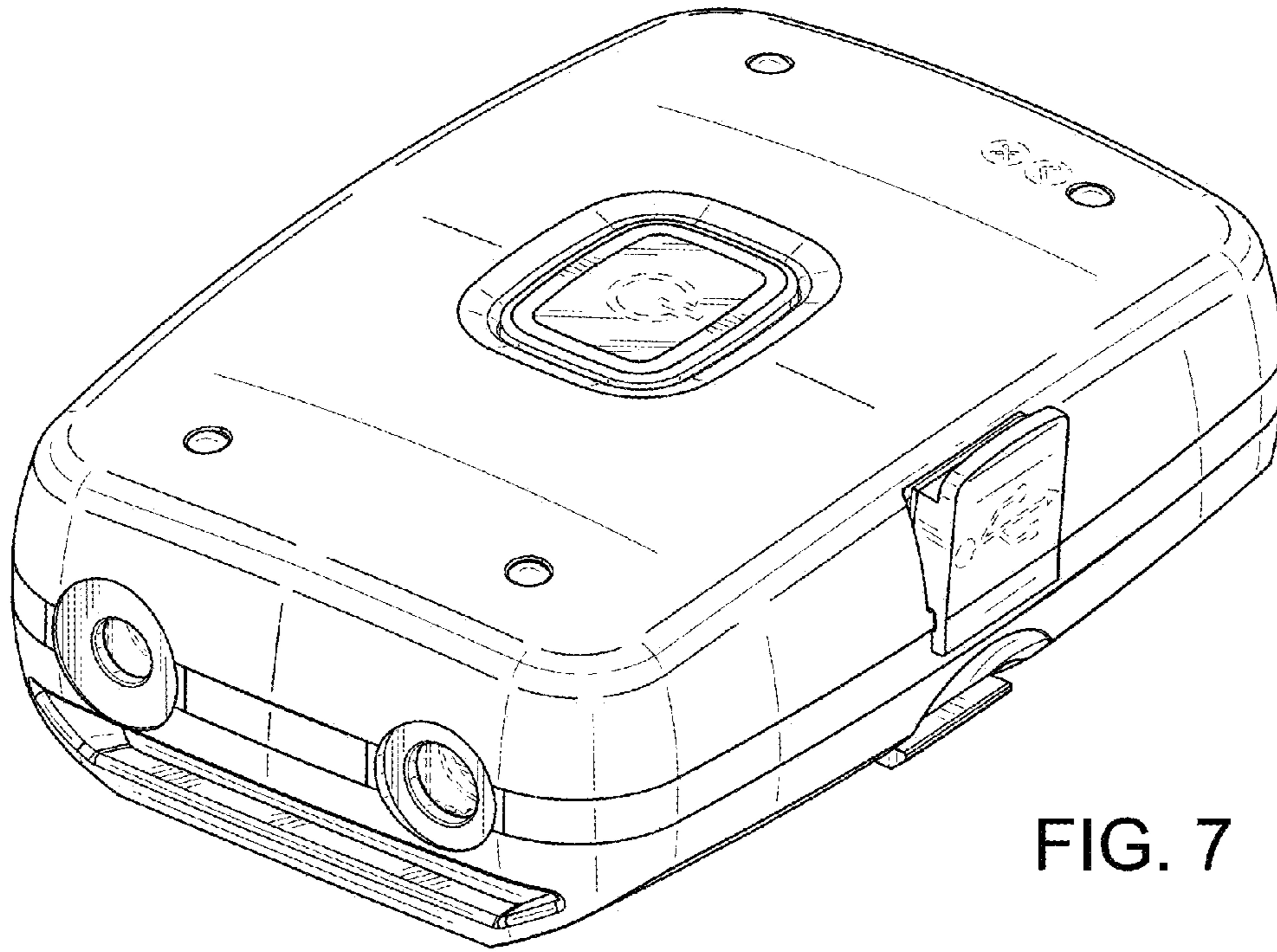


FIG. 7

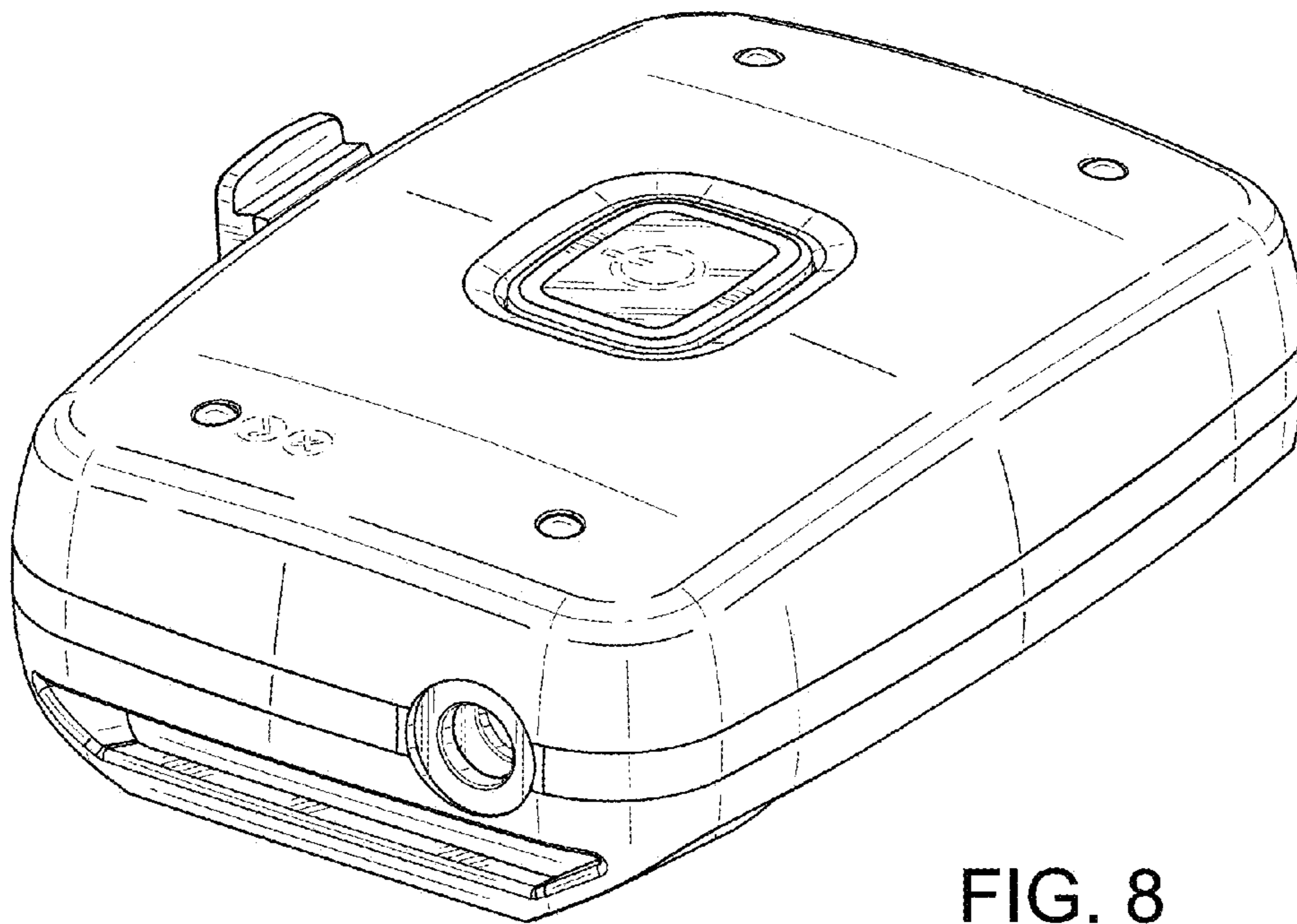


FIG. 8

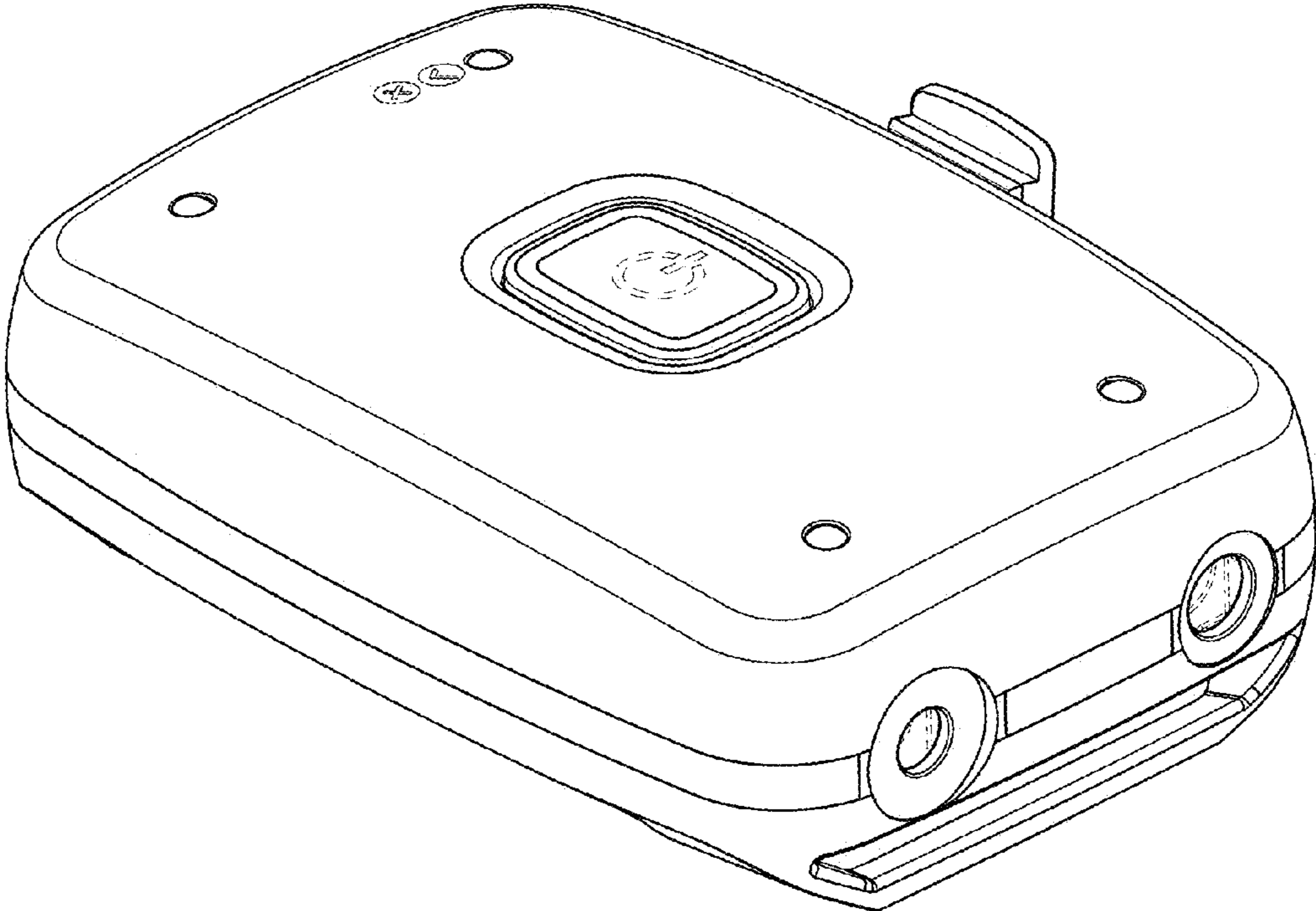


FIG. 9

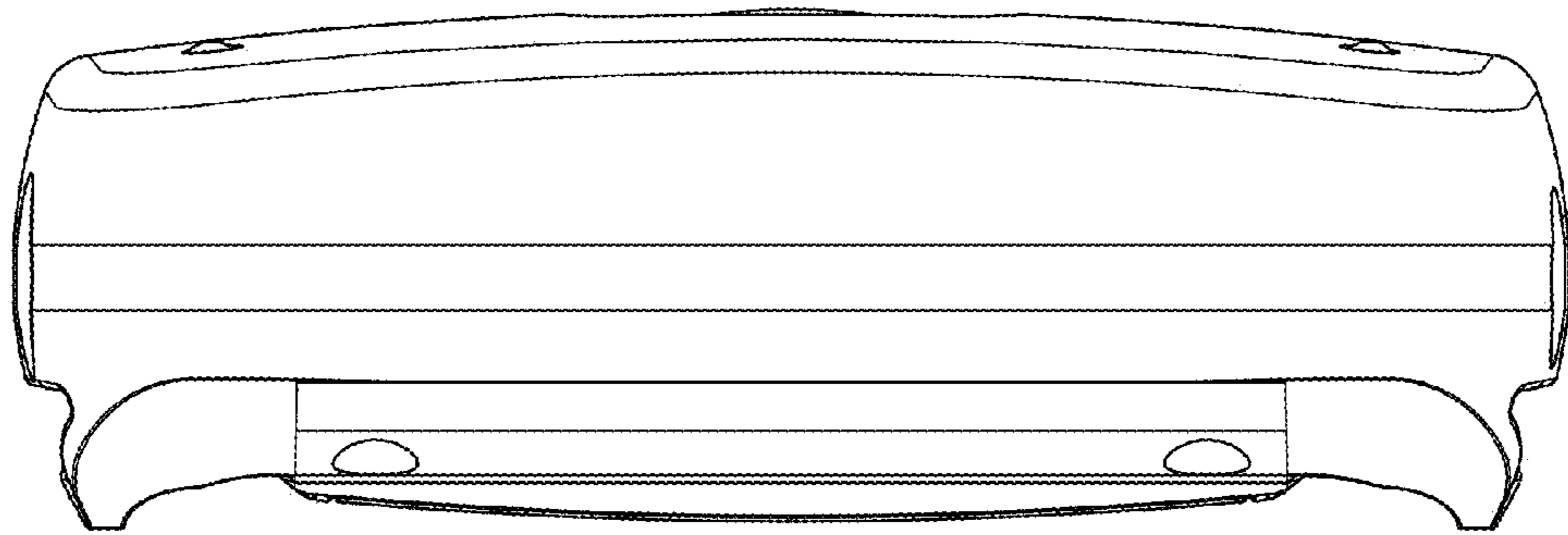


FIG. 10

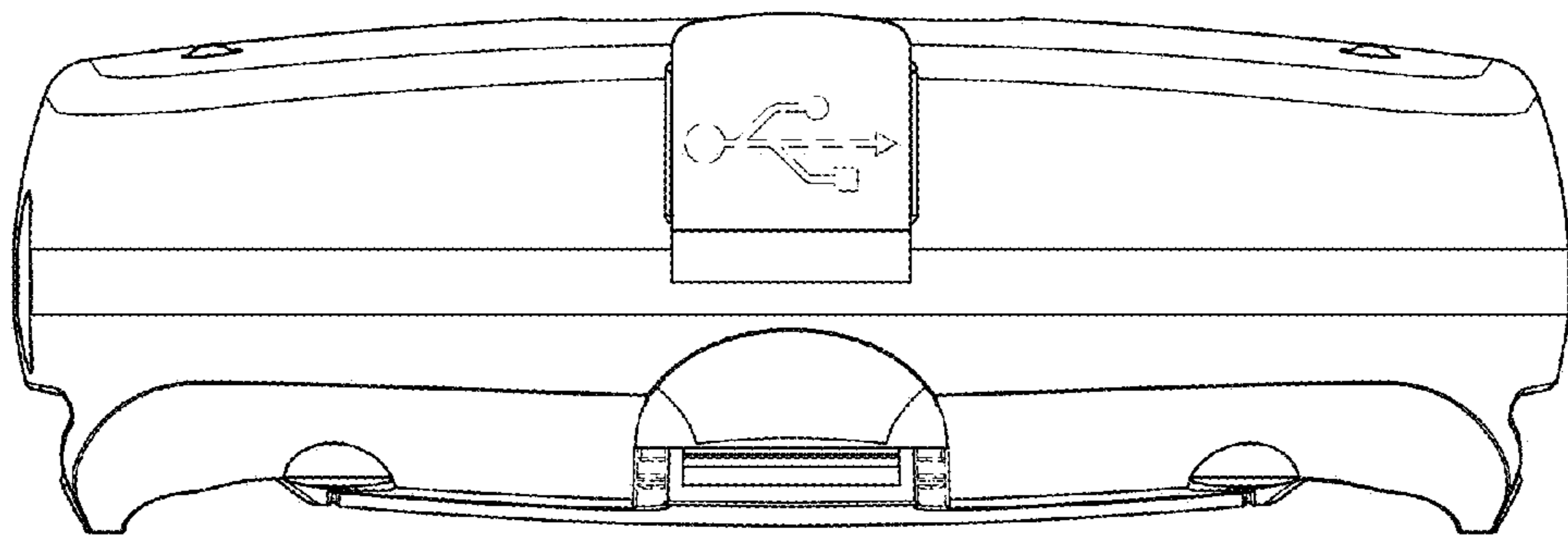


FIG. 11



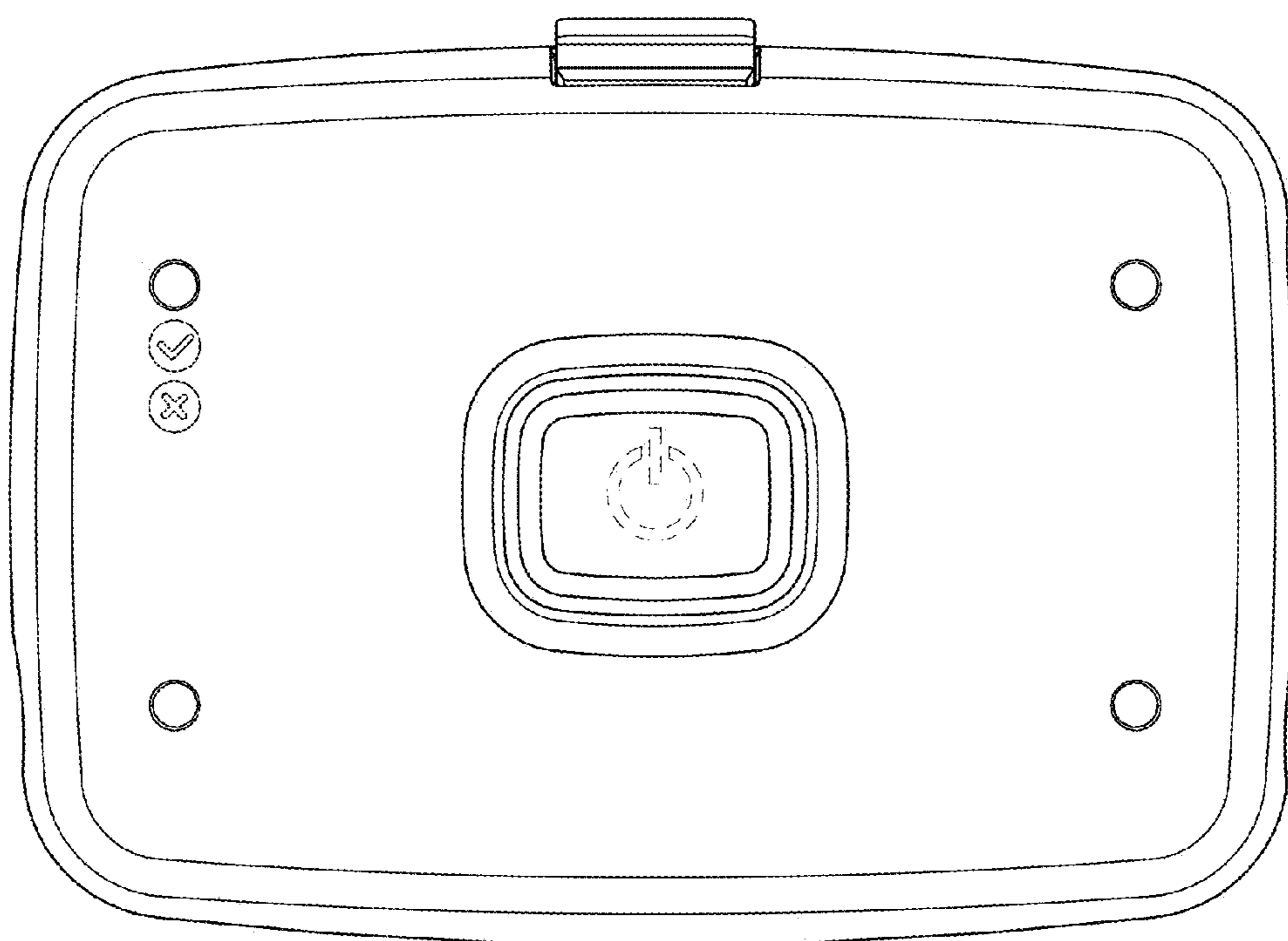


FIG. 12

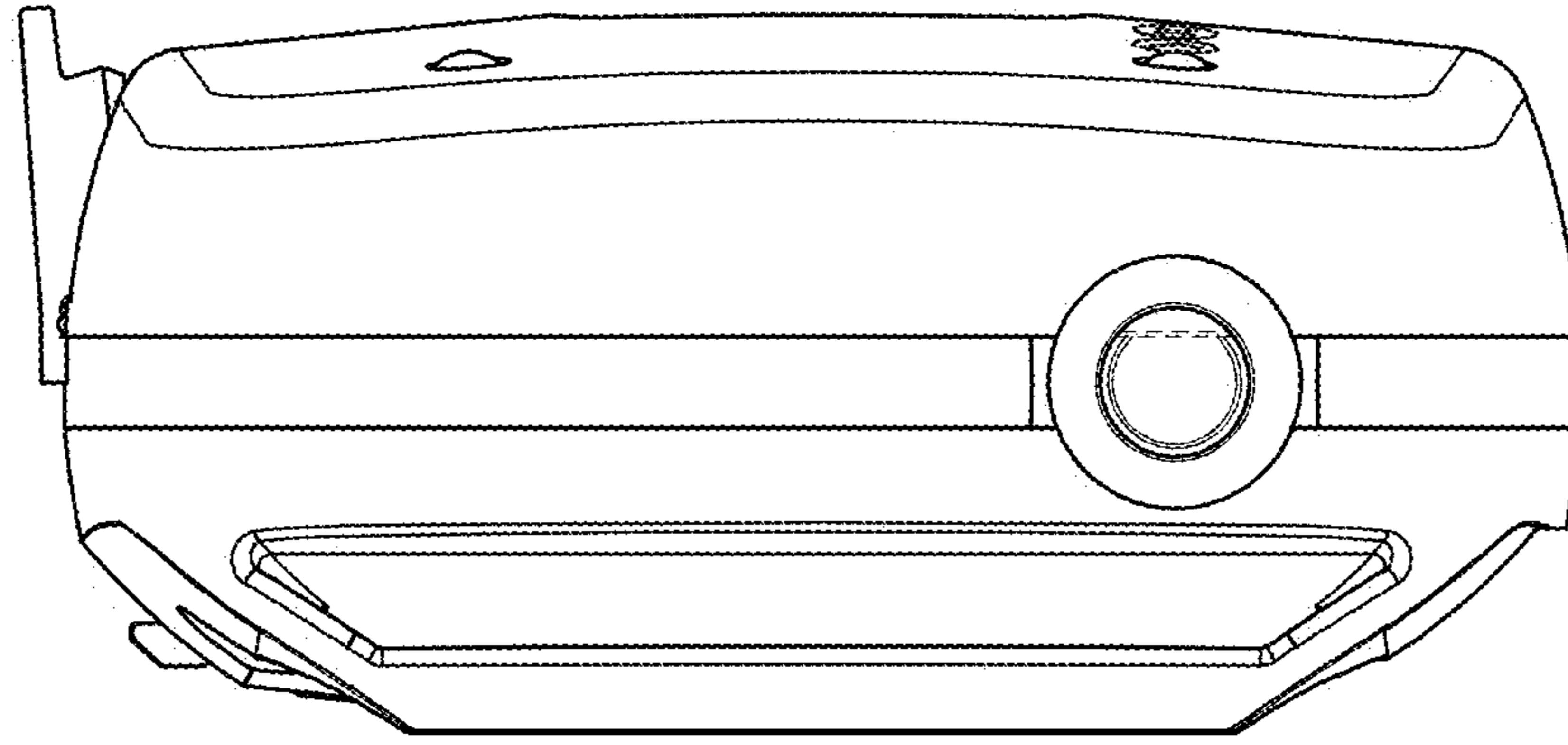


FIG. 13

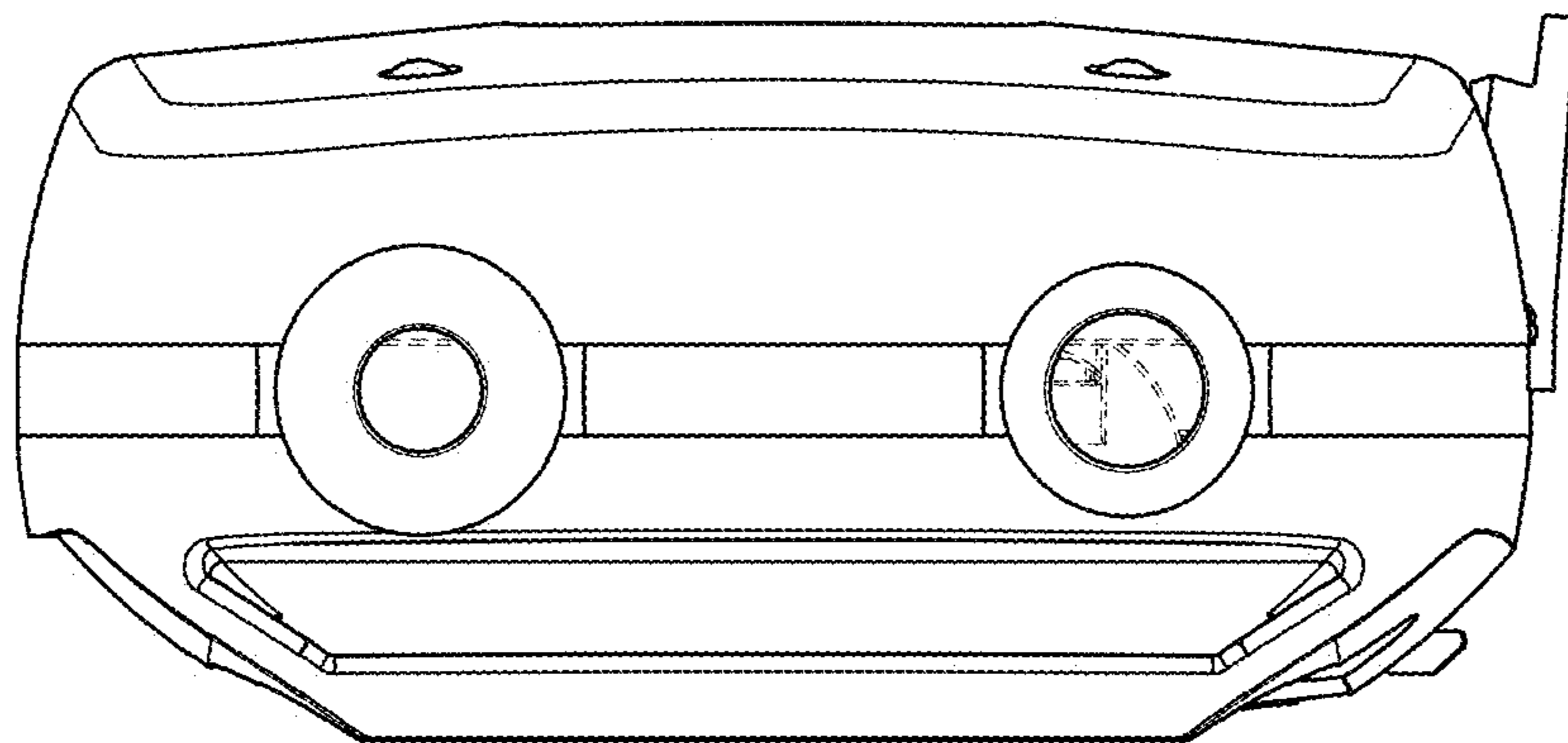


FIG. 14

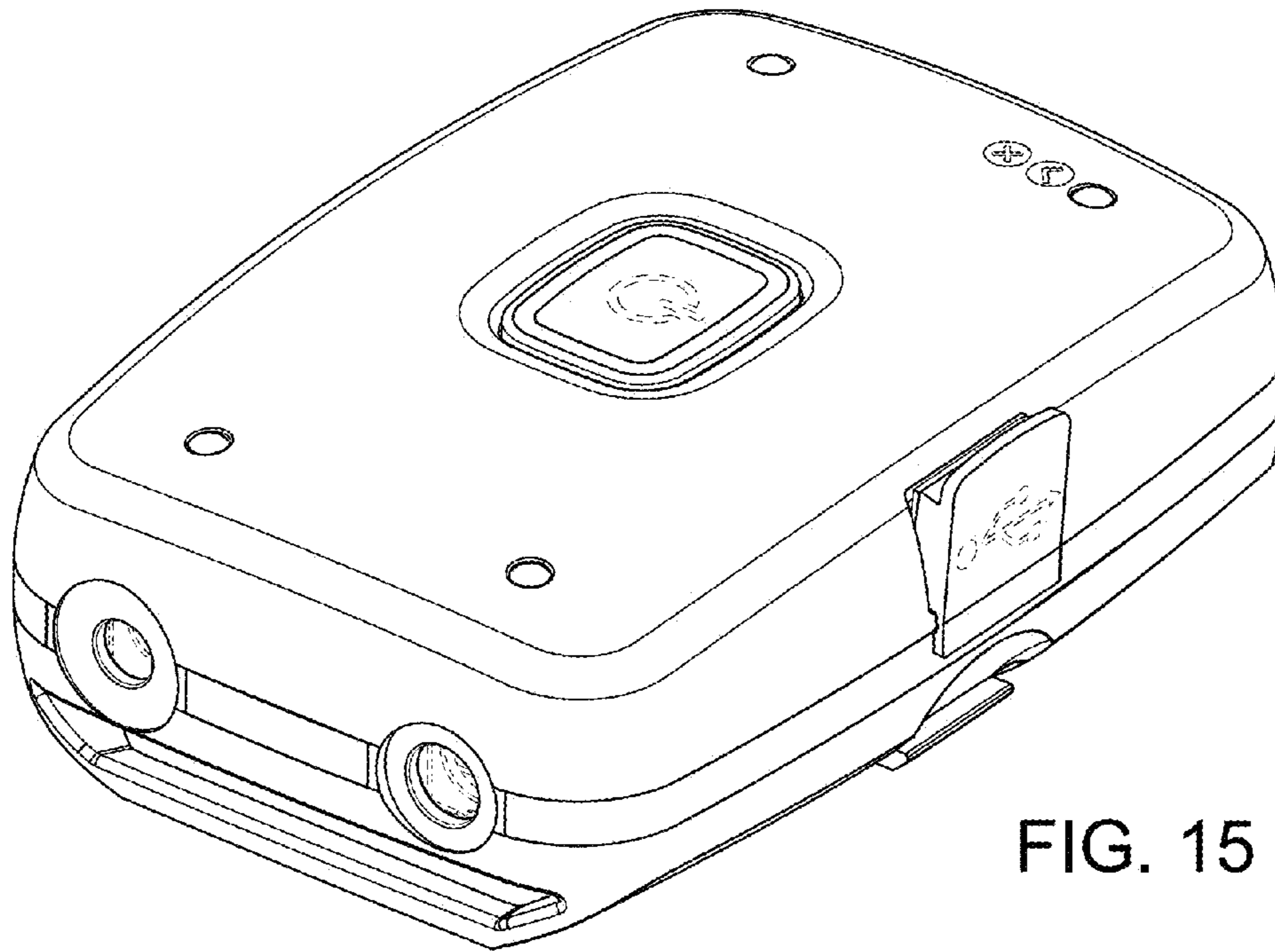


FIG. 15

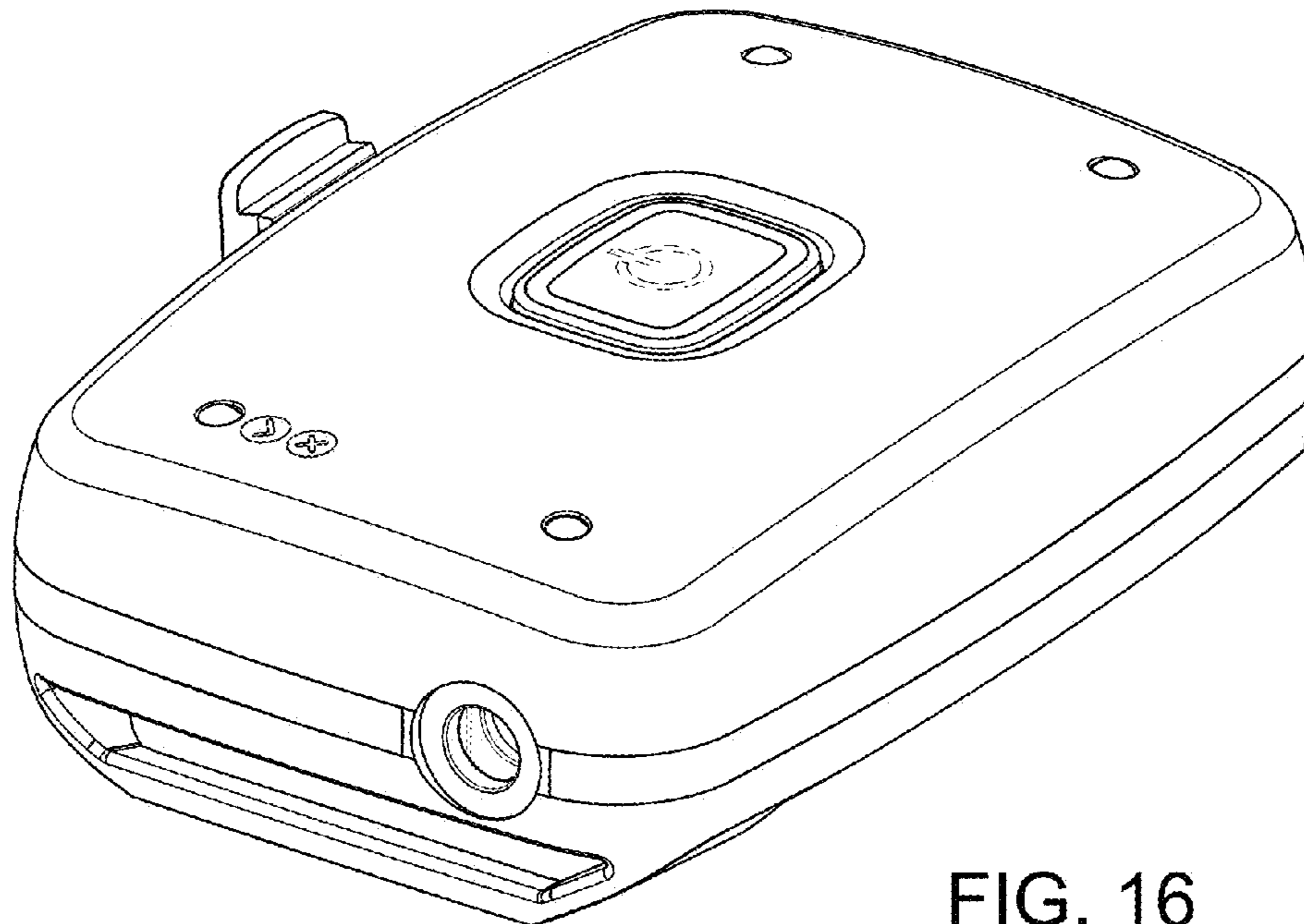


FIG. 16