



US00D741487S

(12) **United States Design Patent**
Langford et al.

(10) **Patent No.:** **US D741,487 S**
(45) **Date of Patent:** **** Oct. 20, 2015**

(54) **BASE TRIAL COMPONENT WITH STEM ADAPTOR**

(71) Applicant: **DEPUY (IRELAND)**, Cork (IE)

(72) Inventors: **Shawn Langford**, Warsaw, IN (US);
Ryan C. Keefer, Warsaw, IN (US); **Todd A. Kilpela**, Richfield, MN (US);
Jonathan C. Lee, Mishawaka, IN (US);
Darren R. Bailey, Fort Wayne, IN (US);
William R. Macumber, Edwardsburg, MI (US); **Lisa M. Major**, Warsaw, IN (US)

(73) Assignee: **DEPUY (IRELAND)** (IE)

(**) Term: **14 Years**

(21) Appl. No.: **29/475,017**

(22) Filed: **Nov. 27, 2013**

(51) **LOC (10) Cl.** **24-02**

(52) **U.S. Cl.**
USPC **D24/155**

(58) **Field of Classification Search**

USPC D24/155–156, 176, 171; D8/387;
D15/21, 28; 433/172–174; 623/13.12,
623/17.16, 17.17, 11.11, 23.26, 23.27,
623/20.32, 20.35; 606/266, 328, 54, 264,
606/273, 250, 80, 84, 88
CPC A61F 2/4611; A61F 2/442; A61F 2/447;
A61F 2220/0025; A61F 2310/00023; A61F
2310/00017; A61F 2002/4475; A61F
2002/30841; A61F 2002/2835; A61F
2002/30904; A61F 2002/30785; A61F
2002/443; A61F 2002/30578

See application file for complete search history.

(56) **References Cited**

U.S. PATENT DOCUMENTS

8,808,298 B2 * 8/2014 Raub et al. 606/88
2011/0307067 A1 * 12/2011 Dees 623/20.35

2012/0310246 A1 * 12/2012 Belcher et al. 606/80
2013/0006376 A1 * 1/2013 Wogoman et al. 623/20.32
2013/0218272 A1 * 8/2013 Clifford et al. 623/13.12
2013/0310836 A1 * 11/2013 Raub et al. 606/84
2013/0325014 A1 12/2013 Sordelet et al.
2013/0325016 A1 12/2013 Sordelet et al.
2013/0325018 A1 12/2013 Thomas et al.

(Continued)

OTHER PUBLICATIONS

Zimmer NexGen LCCK, Surgical Technique for use with LCCK 4-in-1 Instrument, 2009, 52 pages.

(Continued)

Primary Examiner — Ian Simmons

Assistant Examiner — Charles Hanson

(74) *Attorney, Agent, or Firm* — Barnes & Thornburg LLP

(57) **CLAIM**

We claim the ornamental design for a base trial component with stem adaptor, as shown and described.

DESCRIPTION

FIG. 1 is a top perspective view of a design of the base trial component with stem adaptor;

FIG. 2 is a first elevation view of the base trial component of FIG. 1;

FIG. 3 is a second elevation view opposite the first elevation view of FIG. 2;

FIG. 4 is a first side elevation view of the base trial component of FIG. 1;

FIG. 5 is a second side elevation view of the base trial component of FIG. 1;

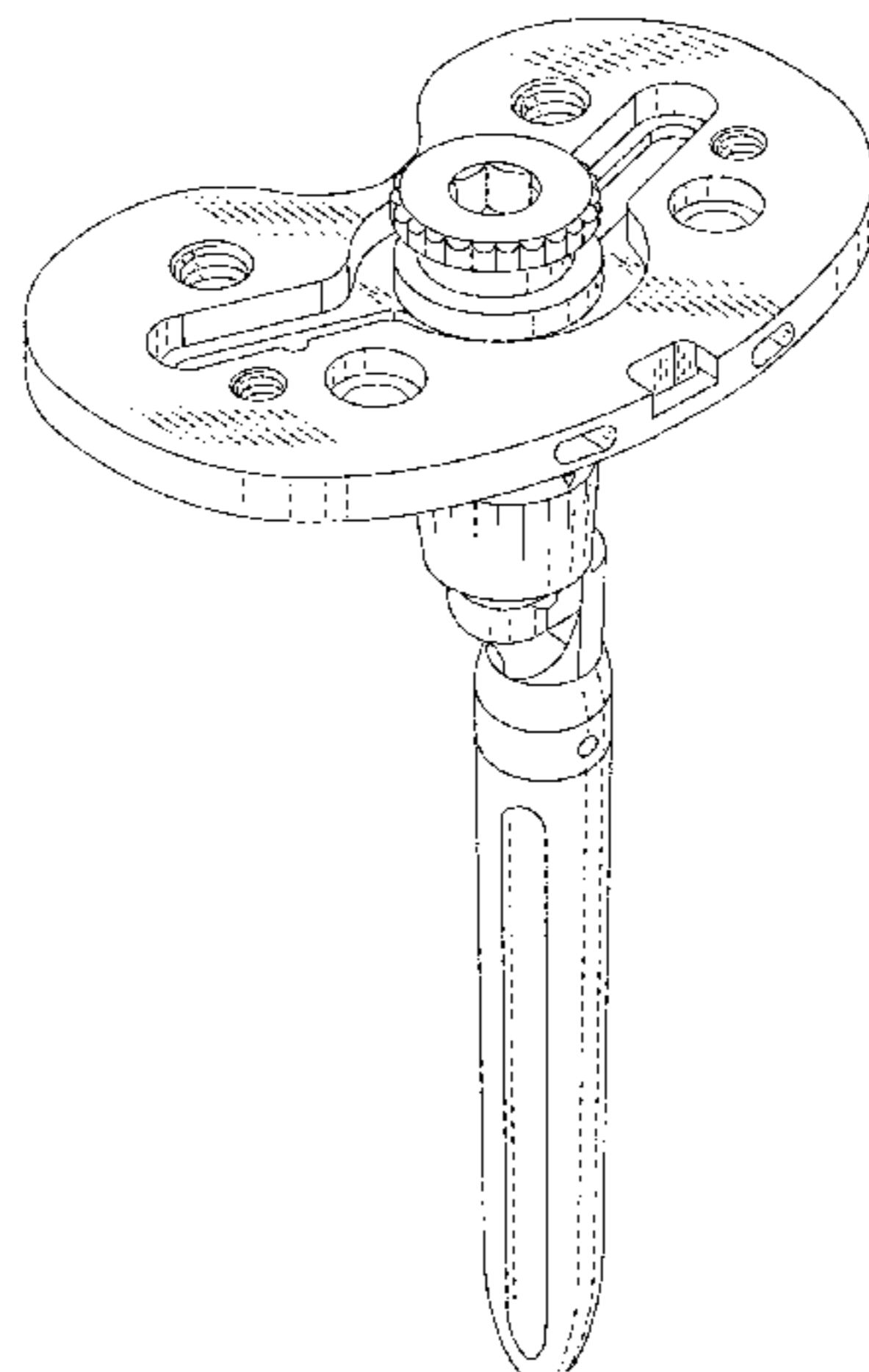
FIG. 6 is a top plan view of the base trial component of FIG. 1;

FIG. 7 is a bottom plan view of the base trial component of FIG. 1; and,

FIG. 8 is a bottom perspective view of the base trial component of FIG. 1.

The features shown in broken lines depict environmental subject matter only and form no part of the claimed design.

1 Claim, 6 Drawing Sheets



(56)

References Cited

U.S. PATENT DOCUMENTS

2013/0325019 A1 12/2013 Thomas et al.
2013/0325021 A1 12/2013 Sordelet et al.
2013/0325136 A1 12/2013 Thomas et al.

OTHER PUBLICATIONS

DePuy Orthopaedics, Inc., Sigma Revision and M.B.T. Revision Tray, Surgical Technique, 2008, 82 pages.
Smith & Nephew, Legion, Revision Knee System, Surgical Technique, 40 pages.
Biomet, Vanguard SSK, Revision System, Surgical Technique, Feb. 2008, 64 pages.
GMK Revision, Surgical Technique, Ref. 99.27.12US rev. 1, 74 pages.

PFC Sigma RP-F, Specialist 2 Instruments, Surgical Technique, Performance in Flexion, 2007, 32 pages.

P.F.C. Sigma Rotating Platform Knee System with M.B.T Tray, Primary Procedure with a Curved or Posterior Stabilised Implant, 2003, 43 pages.

LCS High Performance Instruments, Surgical Technique, 2008, 44 pages.

Sigma High Performance Instruments, Design Rationale, 2007, 12 pages.

Sigma High Performance Instruments, Classic Surgical Technique, 2010, 52 pages.

European Search Report, European Patent Application No. 11175824.9-2310, Dec. 16, 2011, 8 pages.

Attune Knee System Surgical Technique, 2013, 73 pages.

* cited by examiner

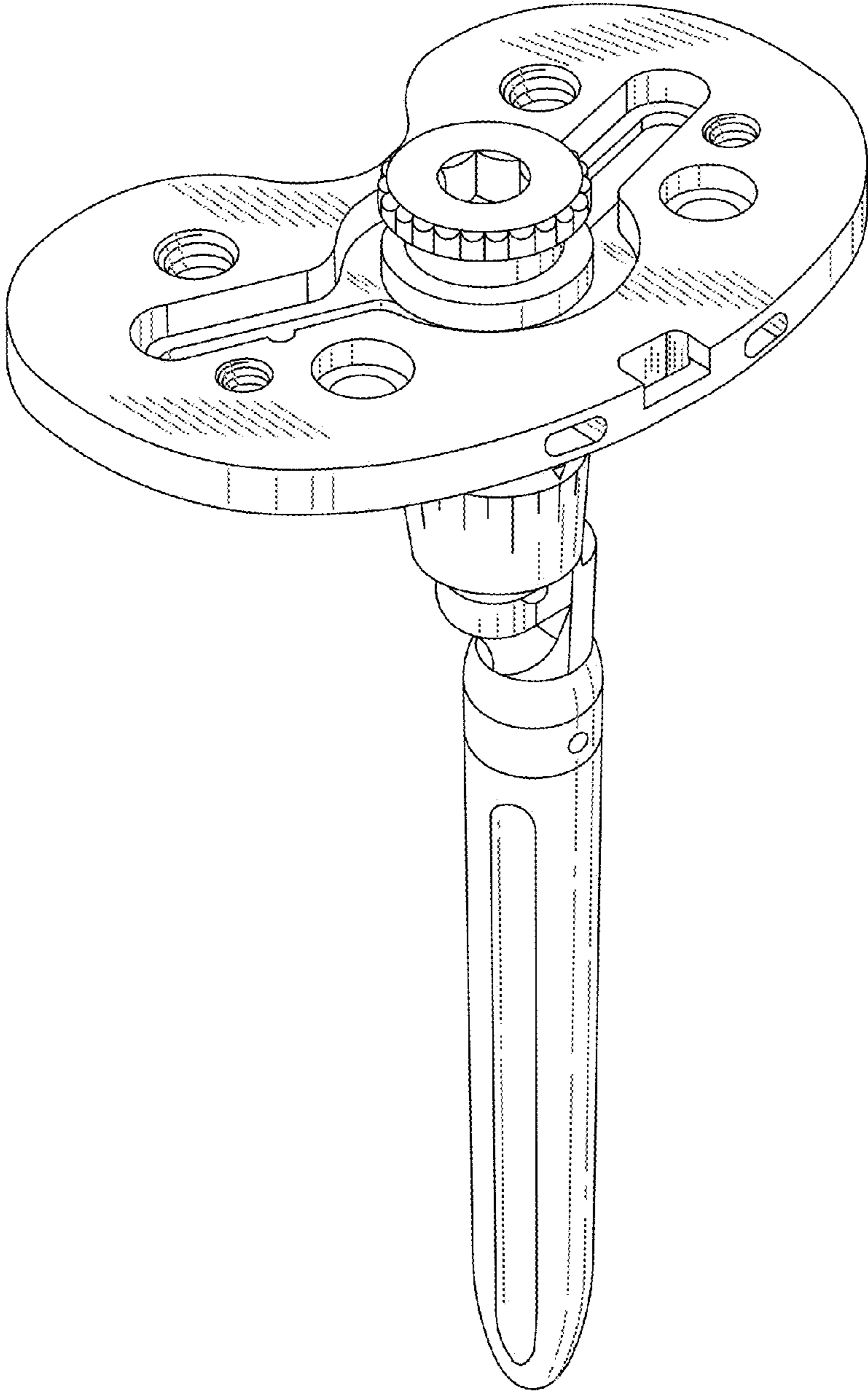


Fig. 1

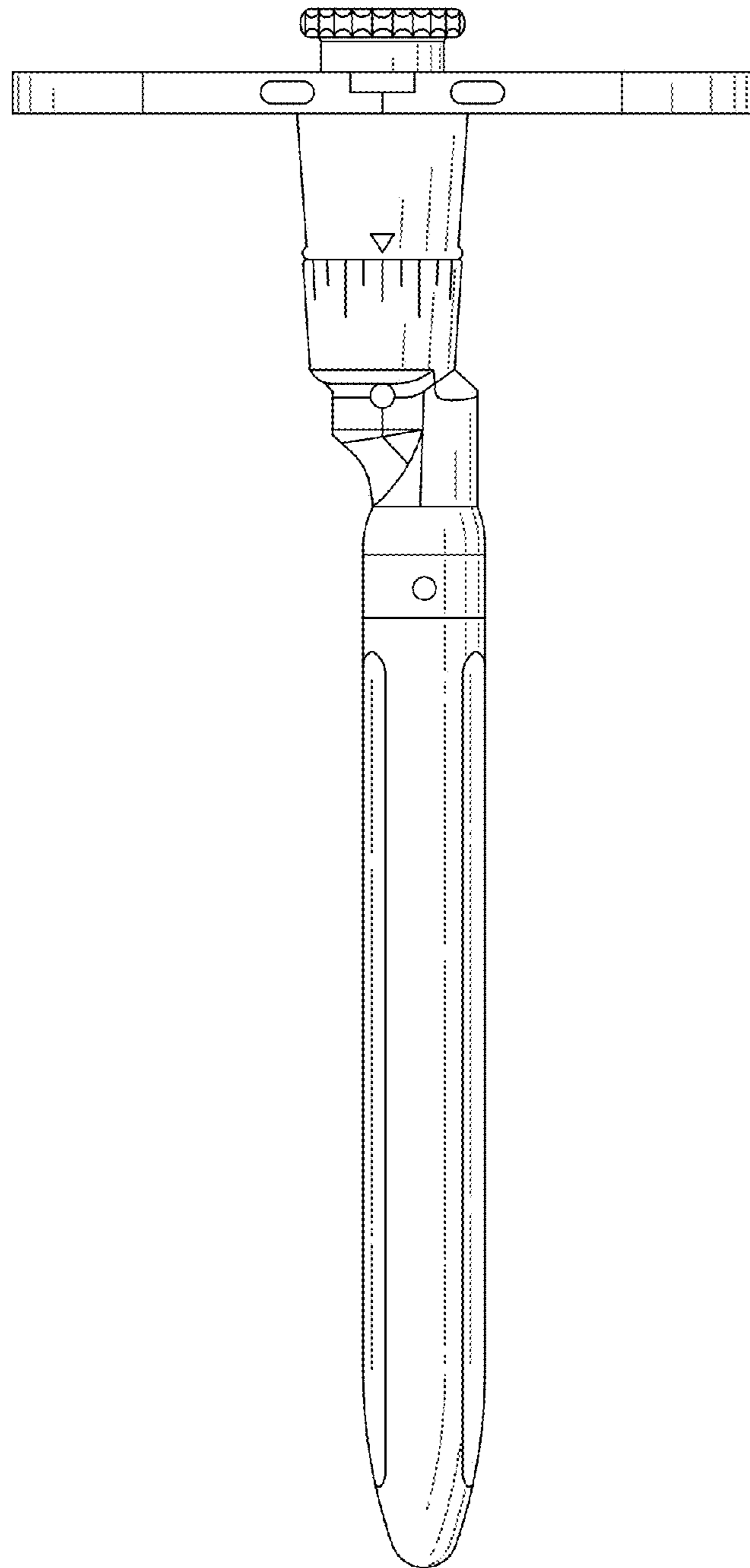


Fig. 2

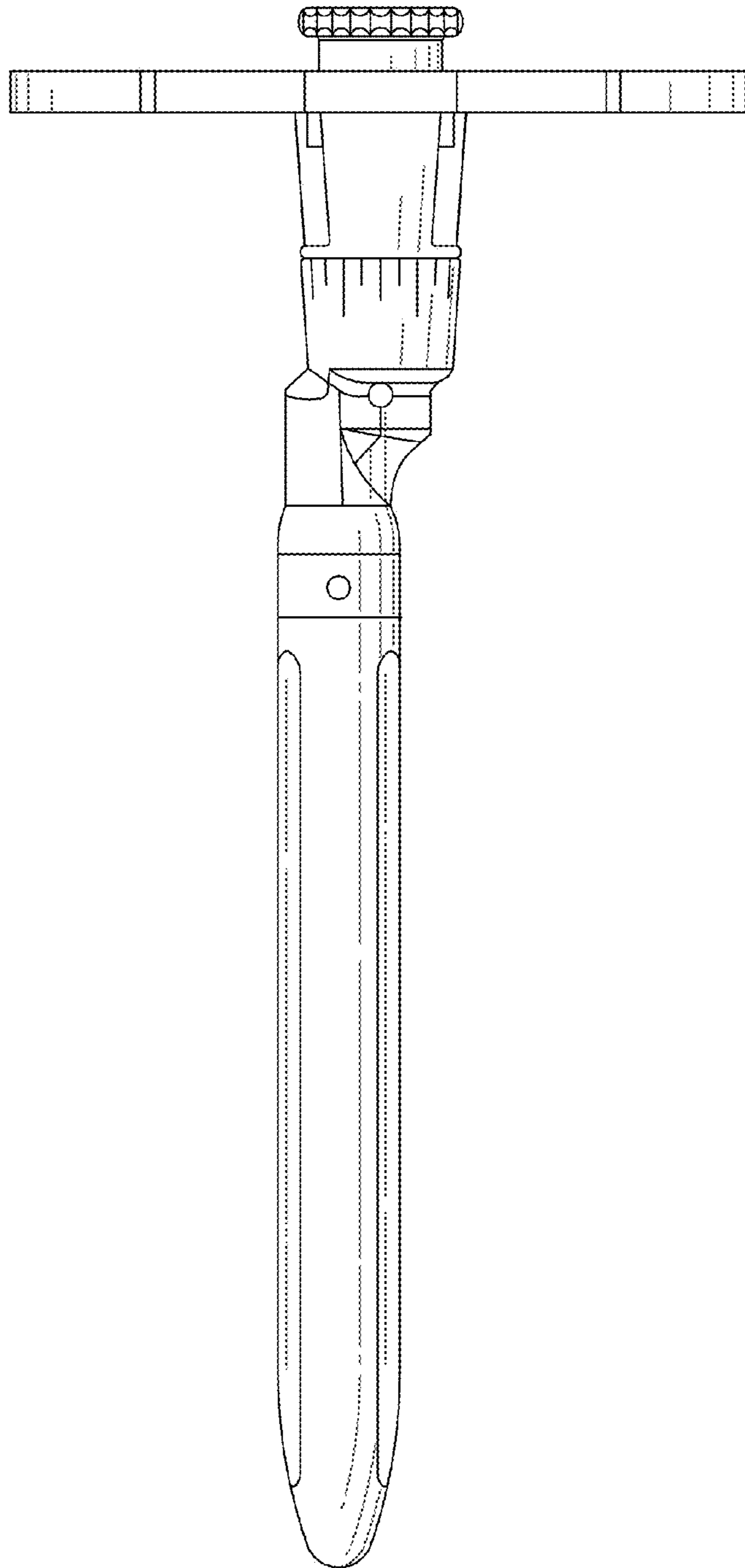


Fig. 3

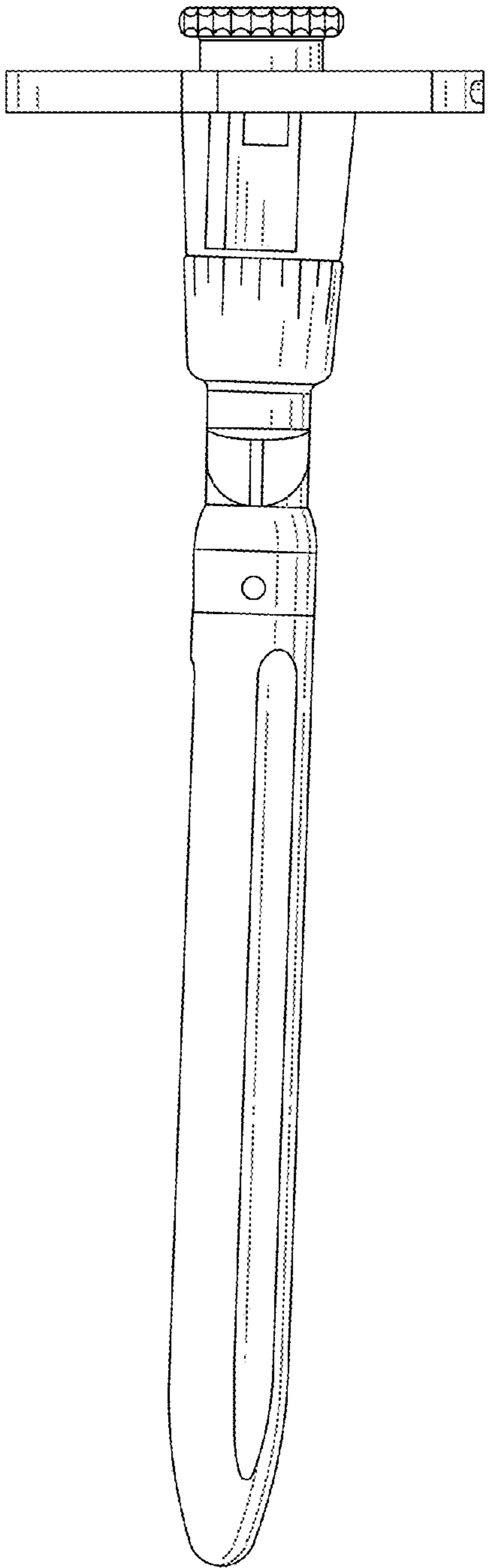


Fig. 4

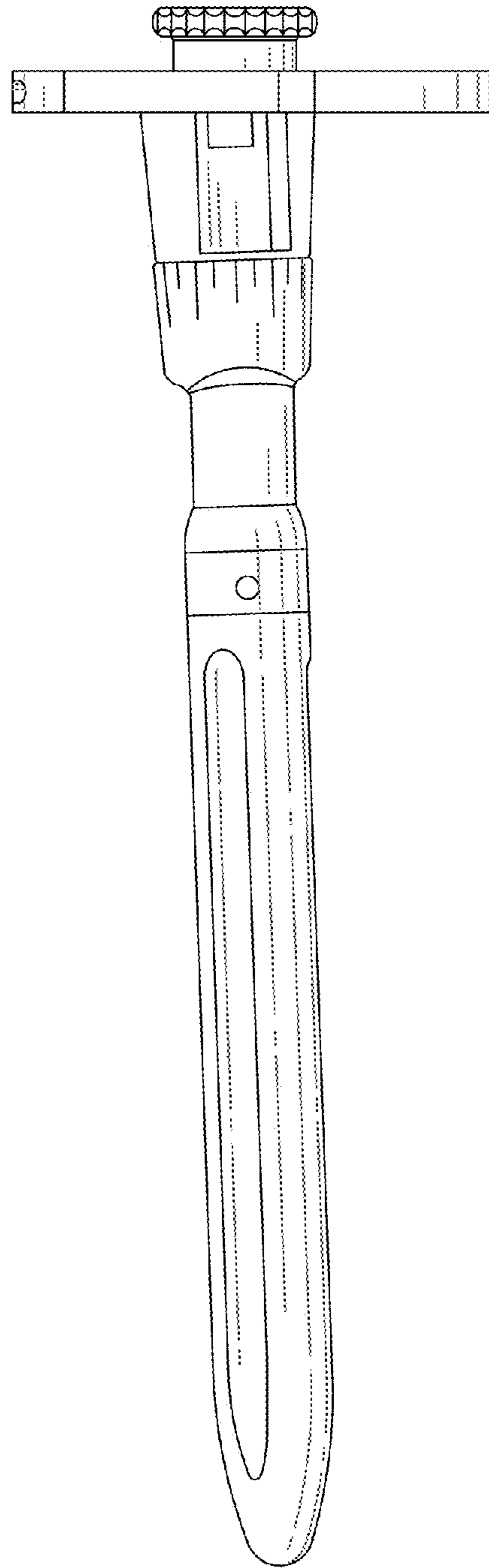


Fig. 5

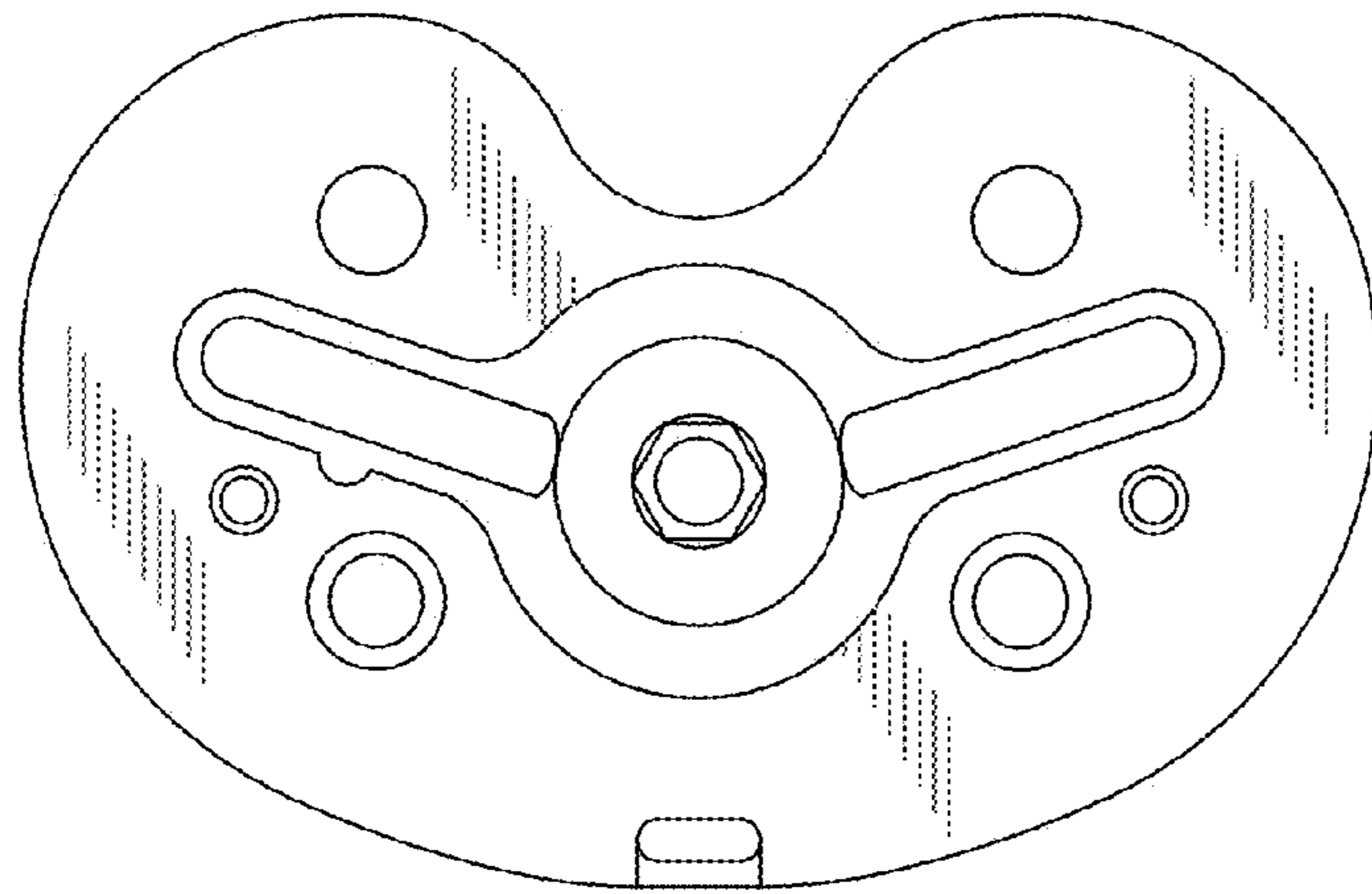


Fig. 6

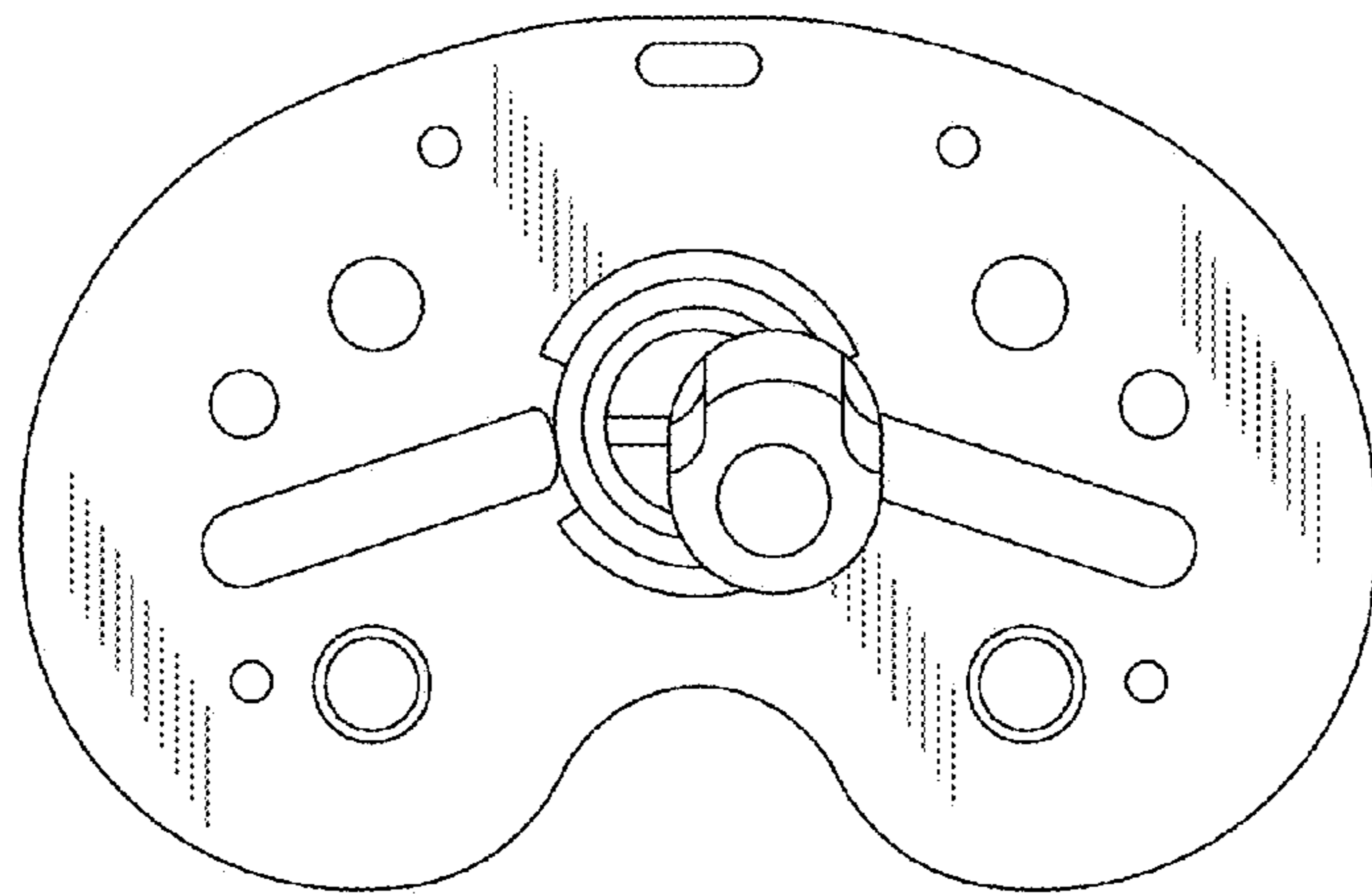


Fig. 7

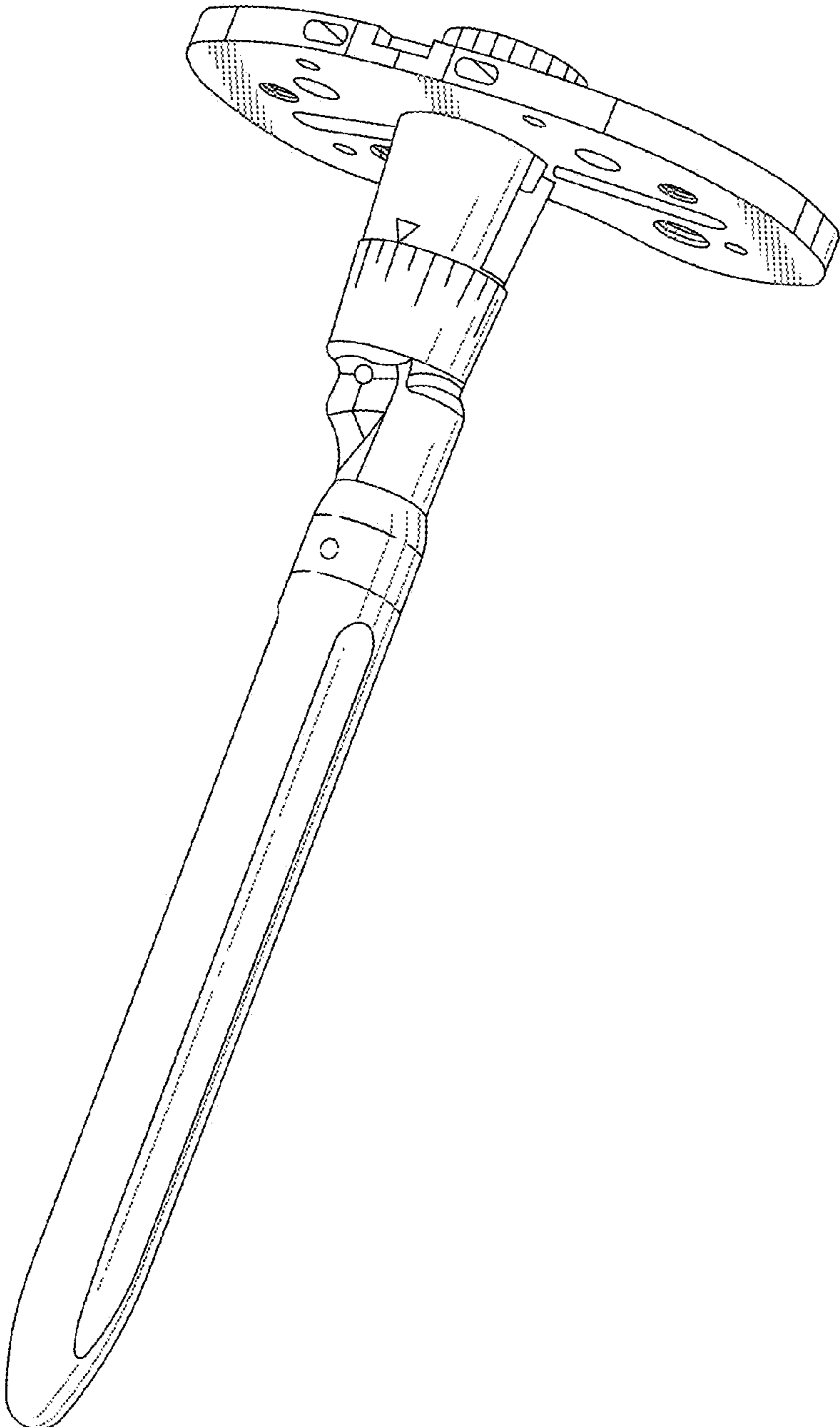


Fig. 8