



US00D741484S

(12) **United States Design Patent**
Cho

(10) **Patent No.:** **US D741,484 S**
(45) **Date of Patent:** **** Oct. 20, 2015**

(54) **DRILL HEAD FOR DENTAL IMPLANT SURGERY**

(71) Applicant: **EBI CO., LTD.**, Gyeongsan-si,
Gyeongsangbuk-do (KR)
(72) Inventor: **Sang Choon Cho**, New York, NY (US)
(73) Assignee: **EBI CO., LTD.**, Gyeongsan-si,
Gyeongsangbuk-do (KR)

(**) Term: **14 Years**

(21) Appl. No.: **29/489,492**

(22) Filed: **Apr. 30, 2014**

(51) **LOC (10) Cl.** **24-02**

(52) **U.S. Cl.**
USPC **D24/146; D24/152**

(58) **Field of Classification Search**
USPC D28/44, 45, 54.1, 56, 58, 59, 65;
D24/133, 146, 147, 152, 156, 173, 176,
D24/215; D8/40, 82, 90
CPC .. A46B 9/04; A46B 2200/1066; A61C 1/084;
A61C 8/0089; A61C 3/02; A61C 3/00
See application file for complete search history.

(56) **References Cited**

U.S. PATENT DOCUMENTS

41,517	A	*	2/1864	Lorr	408/230
D272,230	S	*	1/1984	Hanks	D8/82
D331,464	S	*	12/1992	Rosenberg et al.	D24/147
D358,212	S	*	5/1995	Sullivan	D24/156
D440,478	S	*	4/2001	Jan et al.	D8/82
D487,153	S	*	2/2004	Schulter et al.	D24/156
D536,095	S	*	1/2007	May	D24/146
D596,743	S	*	7/2009	Agbodoe et al.	D24/146

D600,809	S	*	9/2009	Petersen	D24/146
D616,094	S	*	5/2010	Boone et al.	D24/133
D641,472	S	*	7/2011	Sonoi et al.	D24/152
8,025,662	B2	*	9/2011	Knisely et al.	606/80
D655,005	S	*	2/2012	Fischvogt	D24/146
D662,590	S	*	6/2012	Sonoi et al.	D24/152
8,491,301	B2		7/2013	Cho		
D700,703	S		3/2014	Cho		
8,770,974	B2	*	7/2014	Suter et al.	433/165
D725,278	S	*	3/2015	Gantes	D24/176
D731,655	S	*	6/2015	Lui	D24/156
2009/0208902	A1	*	8/2009	Danger et al.	433/165
2013/0011810	A1		1/2013	Cho		
2013/0025942	A1	*	1/2013	Bauer	175/57
2013/0224683	A1	*	8/2013	Zacharia et al.	433/165
2013/0244207	A1		9/2013	Cho		

* cited by examiner

Primary Examiner — Robert M Spear

Assistant Examiner — Marissa J Cash

(74) *Attorney, Agent, or Firm* — Fish & Richardson P.C.

(57) **CLAIM**

The ornamental design for a drill head for dental implant surgery, substantially as shown and described.

DESCRIPTION

FIG. 1 is a front perspective view of a drill head for dental implant surgery.

FIG. 2 is a right side view of my design.

FIG. 3 is a left side view of my design.

FIG. 4 is a front end view of my design.

FIG. 5 is a rear end view of my design.

FIG. 6 is a top view of my design; and,

FIG. 7 is a bottom view of my design.

The broken lines illustrate environmental features that form no part of the claimed design.

1 Claim, 4 Drawing Sheets

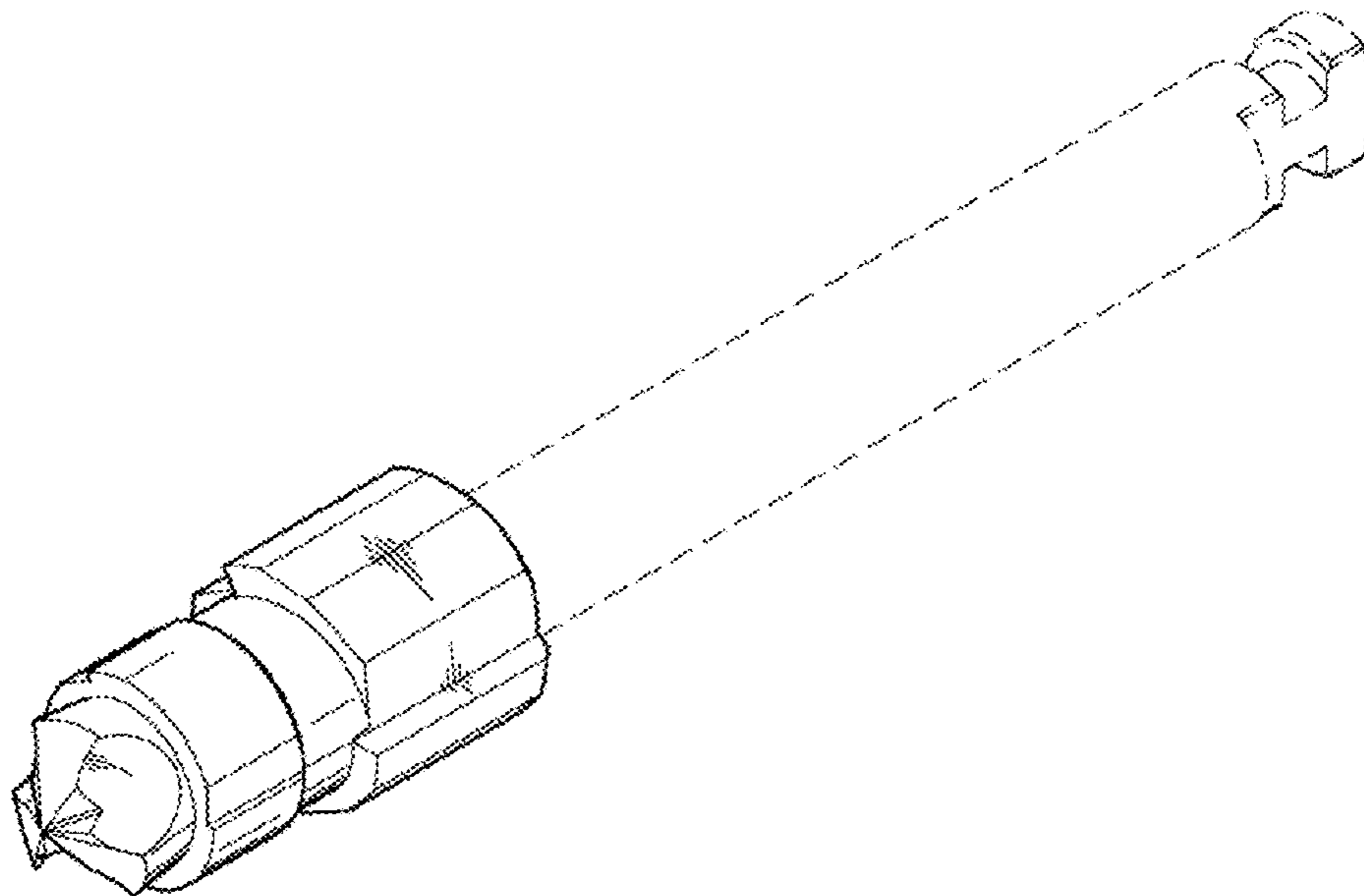


FIG. 1

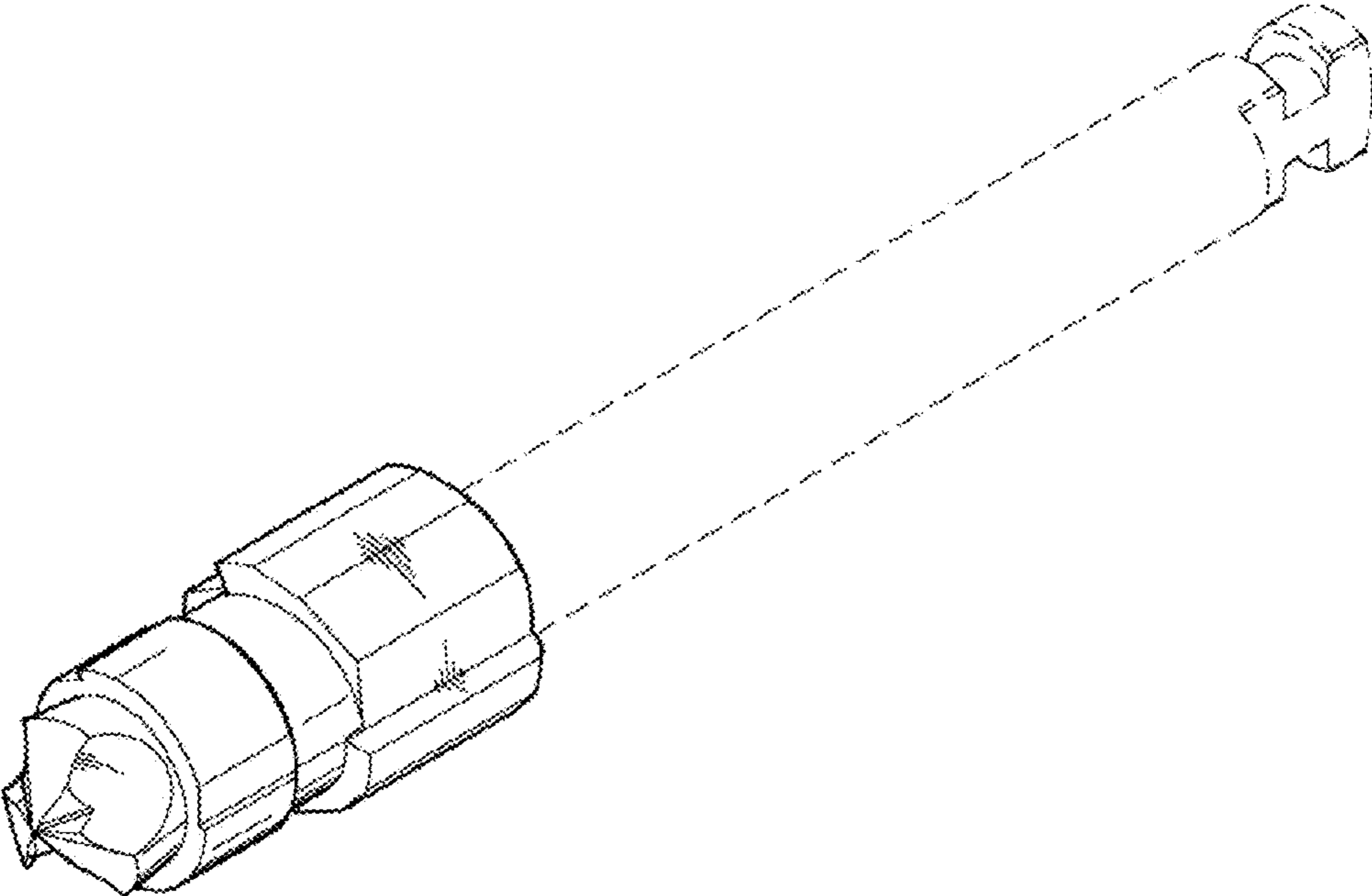


FIG. 2

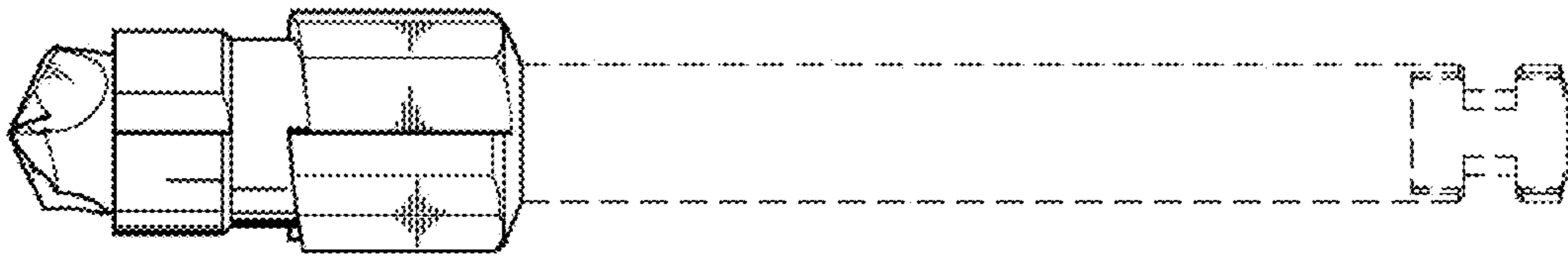


FIG. 3

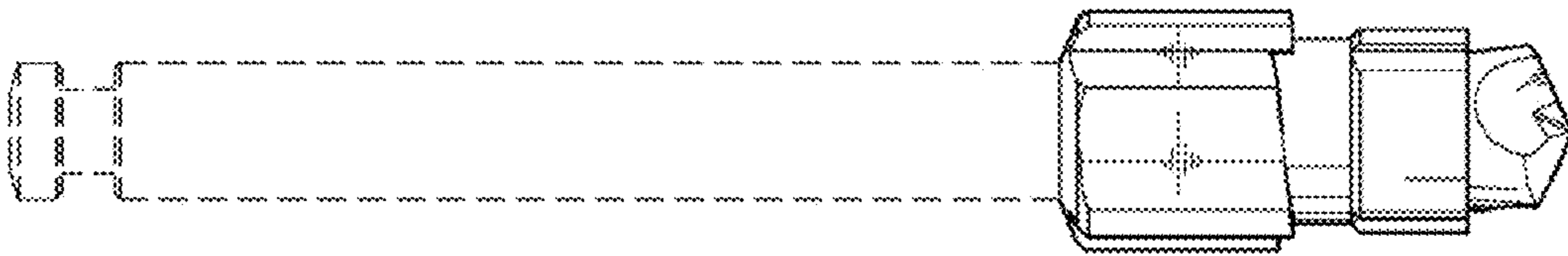


FIG. 4

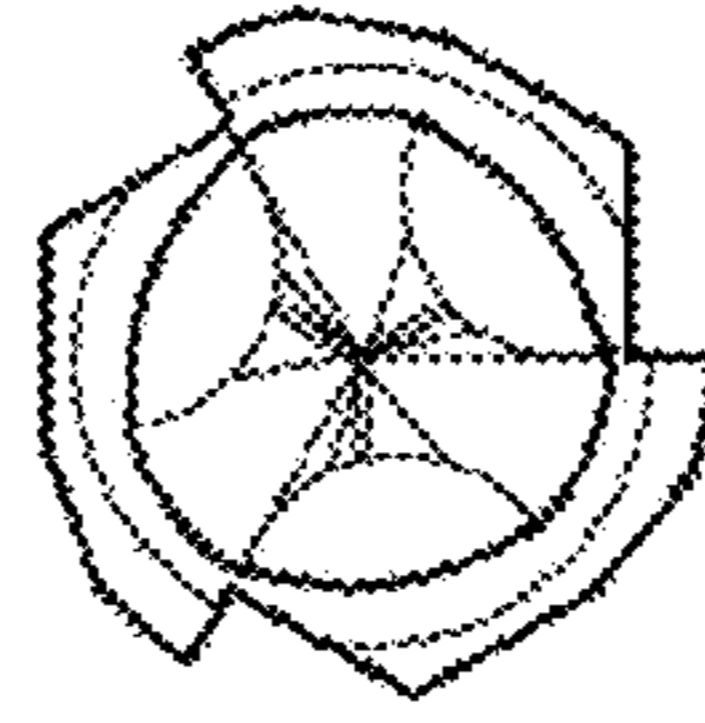


FIG. 5

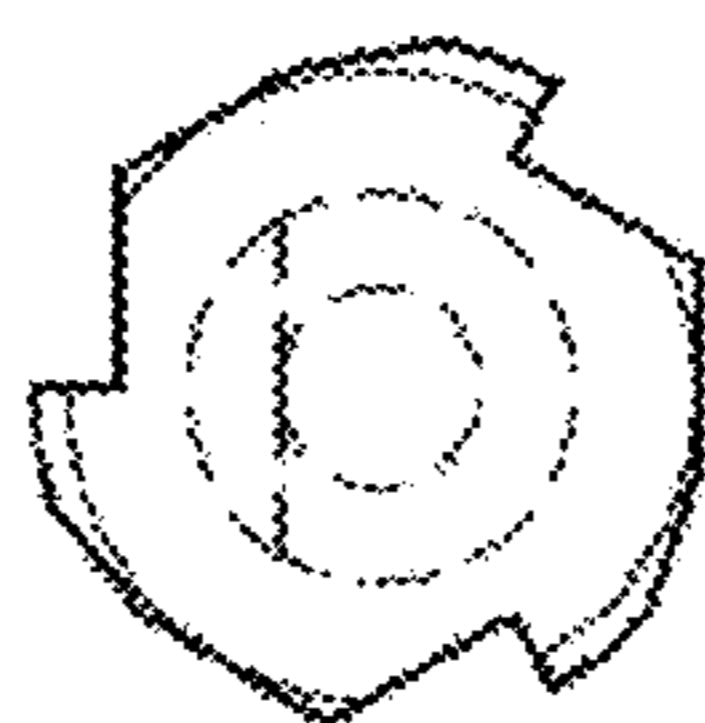


FIG. 6

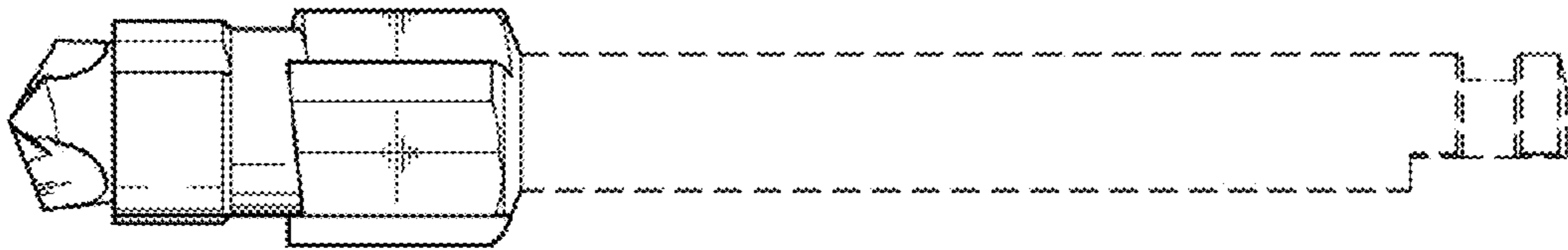


FIG. 7

