



US00D741483S

(12) **United States Design Patent**  
**Solingen et al.**

(10) **Patent No.:** **US D741,483 S**

(45) **Date of Patent:** **\*\* Oct. 20, 2015**

(54) **PYLORIC KNIFE**

(71) Applicant: **KARL STORZ GmbH & Co. KG**,  
Tuttlingen (DE)

(72) Inventors: **Simon Solingen**, Los Angeles, CA (US);  
**Régis Besse**, Guyancourt (FR); **Yann  
Thouément**, Les Essarts le Roi (FR);  
**Douglas Allen**, Los Angeles, CA (US)

(73) Assignee: **KARL STORZ GmbH & Co. KG**,  
Tuttlingen (DE)

(\*\*) Term: **14 Years**

(21) Appl. No.: **29/468,472**

(22) Filed: **Sep. 30, 2013**

(51) **LOC (10) Cl.** ..... **24-02**

(52) **U.S. Cl.**  
USPC ..... **D24/146**

(58) **Field of Classification Search**  
USPC ..... D7/649; D8/14.1, 29.1, 92, 93, 95, 97,  
D8/98, 99; D19/110, 115; D24/130, 133,  
D24/146, 147, 150, 151; 30/151, 162, 338,  
30/339; 606/4, 5, 6, 44, 107, 166  
See application file for complete search history.

(56) **References Cited**

**U.S. PATENT DOCUMENTS**

4,491,132	A *	1/1985	Aikins	.....	606/170
D328,644	S *	8/1992	Pericic	.....	D24/150
5,141,517	A	8/1992	Shutt		
5,292,330	A	3/1994	Shutt		
5,776,156	A *	7/1998	Shikhman	.....	606/170
D418,223	S *	12/1999	Phipps et al.	.....	D24/133
6,527,771	B1 *	3/2003	Weadock et al.	.....	606/50

D493,532	S *	7/2004	Levaughn et al.	.....	D24/146
D533,274	S *	12/2006	Visconti et al.	.....	D24/133
D590,502	S *	4/2009	Geisser et al.	.....	D24/133
D621,042	S *	8/2010	Ruf	.....	D24/146
D638,273	S *	5/2011	Dunlap et al.	.....	D8/99
D650,860	S *	12/2011	Wu	.....	D19/69
2012/0022532	A1 *	1/2012	Garrison	.....	606/52

\* cited by examiner

*Primary Examiner* — Robert M Spear

*Assistant Examiner* — Marissa J Cash

(74) *Attorney, Agent, or Firm* — Muncy, Geissler, Olds & Lowe, P.C.

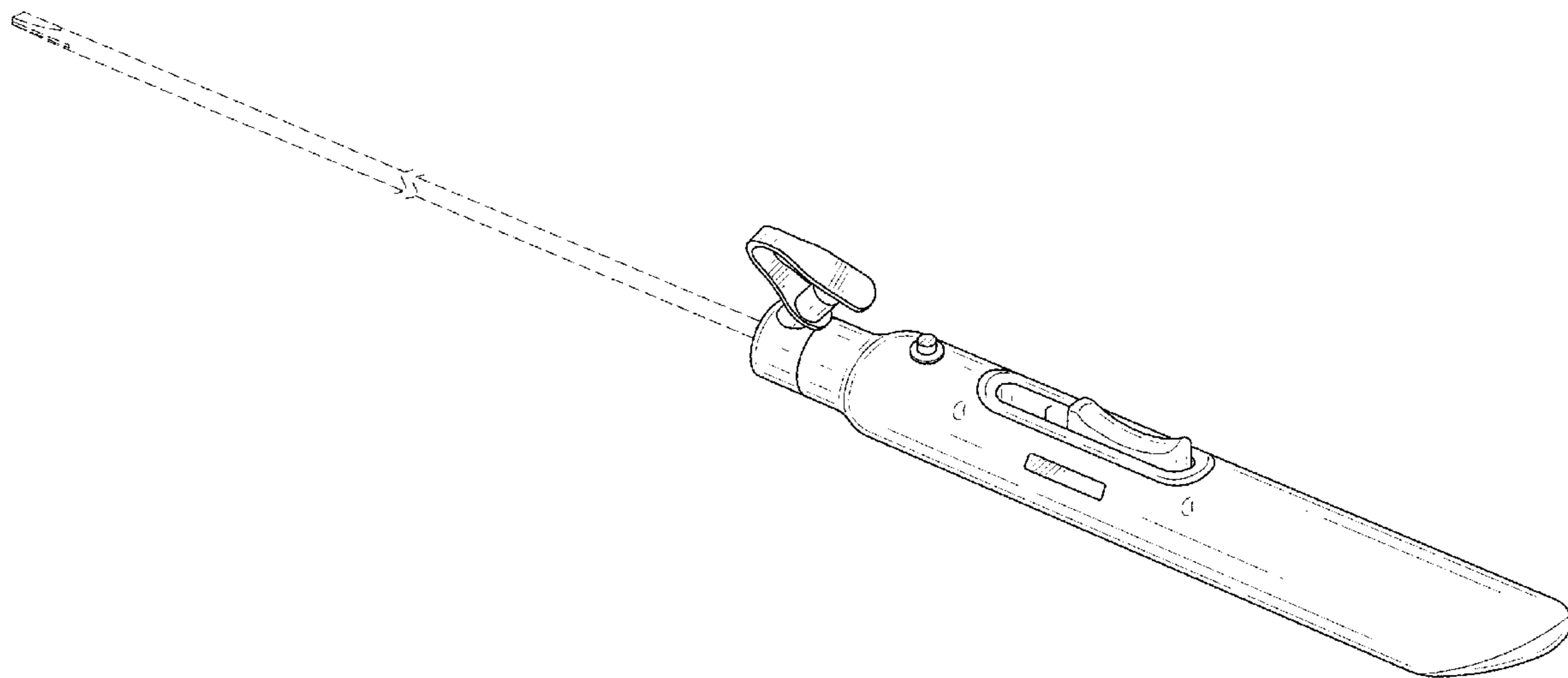
(57) **CLAIM**

The ornamental design for a pyloric knife, as shown and described.

**DESCRIPTION**

FIG. 1 is a left perspective view of a pyloric knife of the present invention.  
 FIG. 2 is a left side elevational view of the pyloric knife of FIG. 1.  
 FIG. 3 is a right side elevational view of the pyloric knife of FIG. 1.  
 FIG. 4 is a top view of the pyloric knife of FIG. 1.  
 FIG. 5 is a bottom view of the pyloric knife of FIG. 1.  
 FIG. 6 is a top perspective view of the pyloric knife of FIG. 1; and,  
 FIG. 7 is a rear perspective view of the pyloric knife of FIG. 1.  
 The dashed lines illustrate environment that does not form a part of the present invention, and no claim is made to the material illustrated with dashed lines.

**1 Claim, 7 Drawing Sheets**



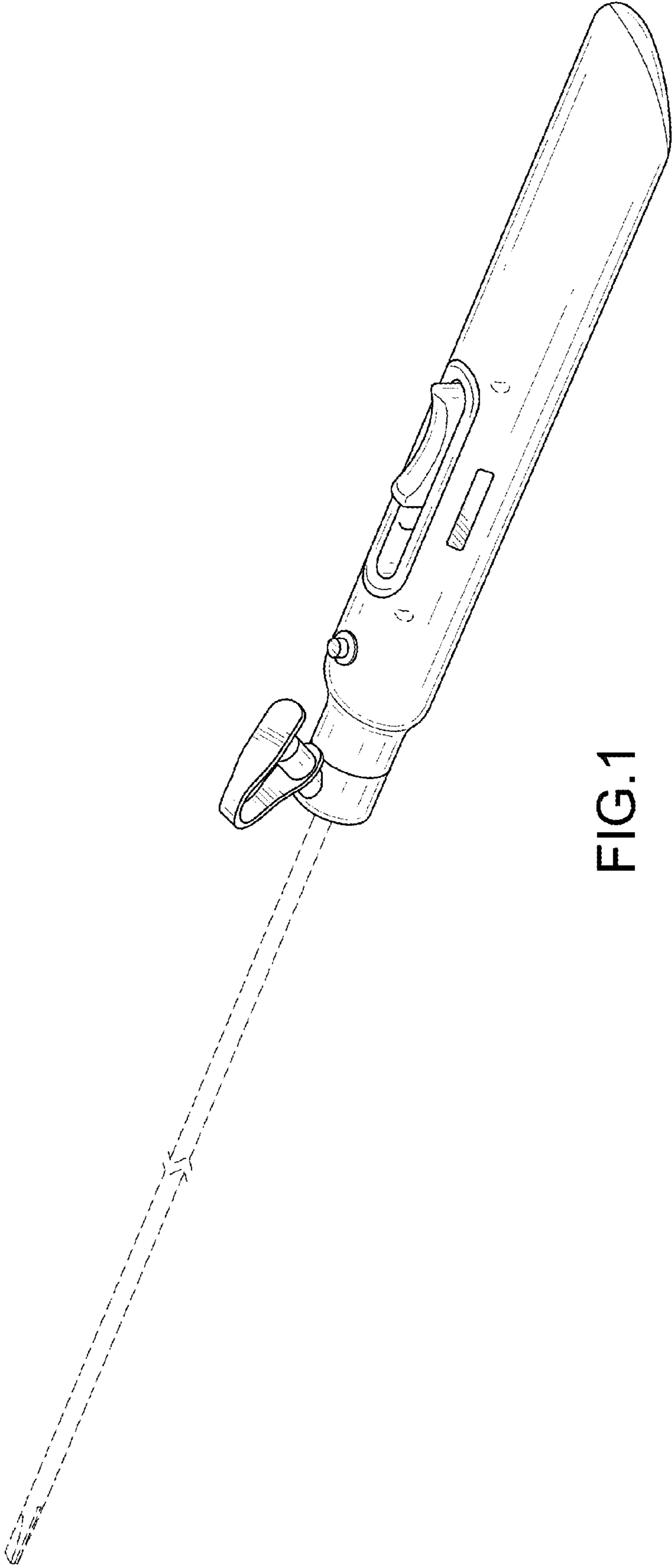


FIG.1

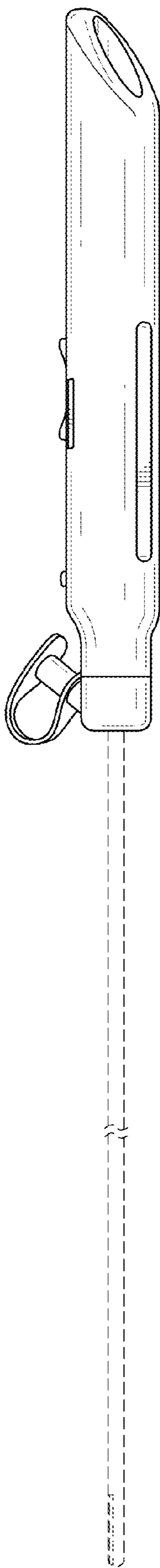


FIG.2

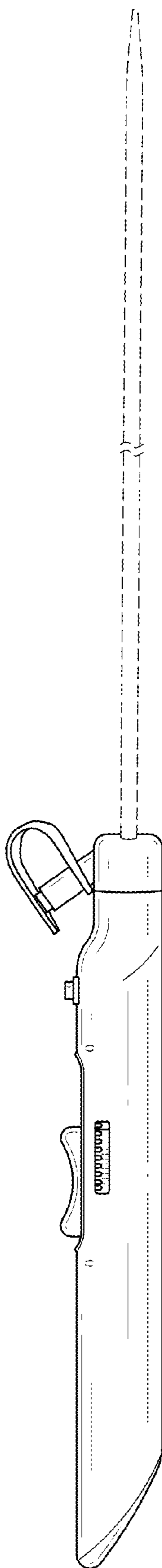


FIG. 3

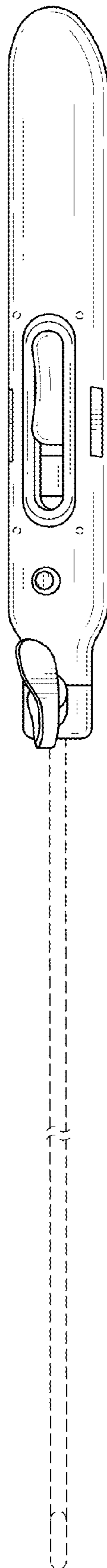


FIG.4

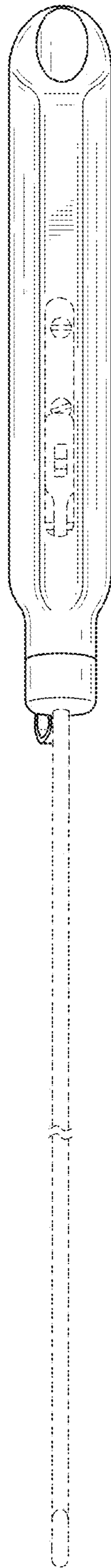


FIG. 5

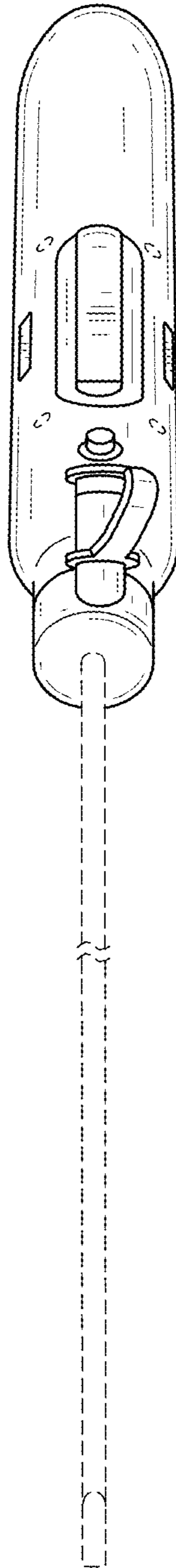


FIG.6

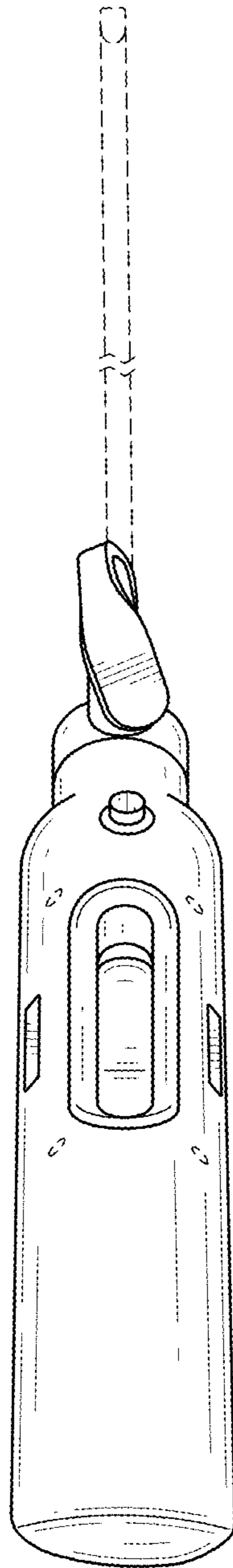


FIG.7