



US00D741482S

(12) **United States Design Patent**
Dowdell et al.

(10) **Patent No.:** **US D741,482 S**
(45) **Date of Patent:** **** Oct. 20, 2015**

(54) **COLLECTION CANISTER FOR A
MICRODERMABRASION DEVICE**

(71) Applicant: **Riiviva LLC**, Holladay, UT (US)

(72) Inventors: **Travis Dowdell**, Holladay, UT (US);
Diane Bitaraf, Holladay, UT (US)

(73) Assignee: **Riiviva, LLC**, Holladay, UT (US)

(**) Term: **14 Years**

(21) Appl. No.: **29/446,407**

(22) Filed: **Feb. 22, 2013**

(51) **LOC (10) Cl.** **24-02**

(52) **U.S. Cl.**
USPC **D24/146**

(58) **Field of Classification Search**
USPC D24/130, 133, 143, 146, 147, 150, 151,
D24/158, 159, 160, 177, 185, 186; D8/72,
D8/307, 310, 394; 601/17, 18, 19, 52, 63;
D7/705, 620, 633; 606/131, 132
See application file for complete search history.

(56) **References Cited**

U.S. PATENT DOCUMENTS

D121,561	S *	7/1940	Borchers	D8/307
2,590,299	A	3/1952	Douglas		
4,378,804	A	4/1983	Cortese, Jr.		
5,037,431	A	8/1991	Summers et al.		
D363,778	S	10/1995	Cane et al.		
6,241,739	B1	6/2001	Waldron		
6,500,183	B1	12/2002	Waldron		
6,592,595	B1	7/2003	Mallett et al.		
6,641,591	B1	11/2003	Shaddock		
6,695,853	B2	2/2004	Karasiuk		
6,726,693	B2	4/2004	Weber et al.		
6,729,370	B2 *	5/2004	Norton et al.	141/329
6,926,681	B1	8/2005	Ramey et al.		
D554,469	S *	11/2007	Sato	D8/310
7,318,828	B1	1/2008	Revivo		
D570,485	S *	6/2008	Olsen	D24/174

7,638,144	B2	12/2009	Rhaodes		
7,651,508	B2	1/2010	Vierk		
D612,939	S	3/2010	Boone et al.		
7,678,120	B2	3/2010	Shaddock		
D617,453	S *	6/2010	Shaw	D24/130
D631,336	S	1/2011	Toumei		
D632,793	S *	2/2011	Gunnensen	D24/174

(Continued)

OTHER PUBLICATIONS

NuBrilliance; <https://www.trynubrilliance.com/?gclid=CPrG1ZOGxKMCFQE-bAod...>; as accessed Aug. 18, 2010; 3 pages.

(Continued)

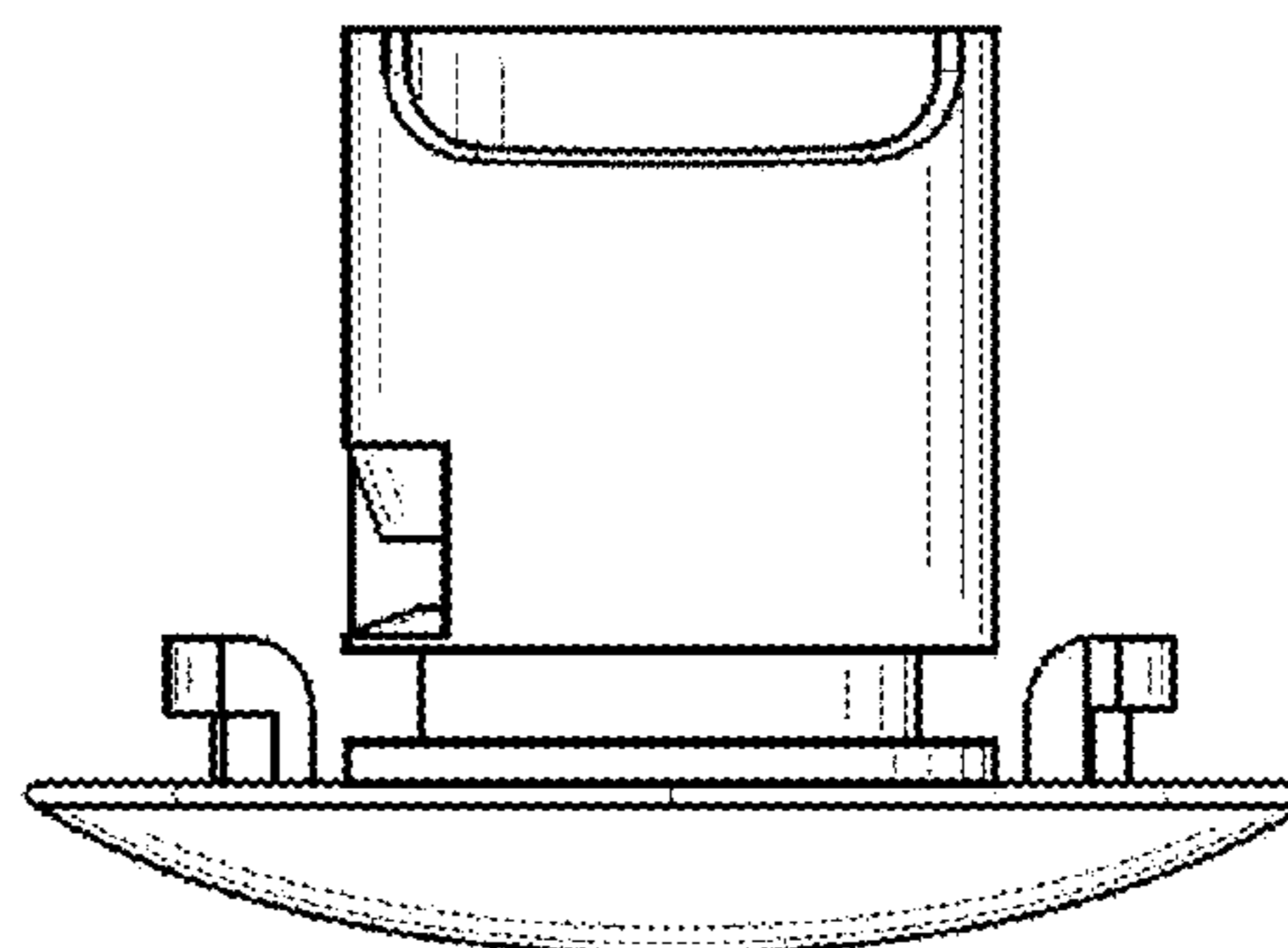
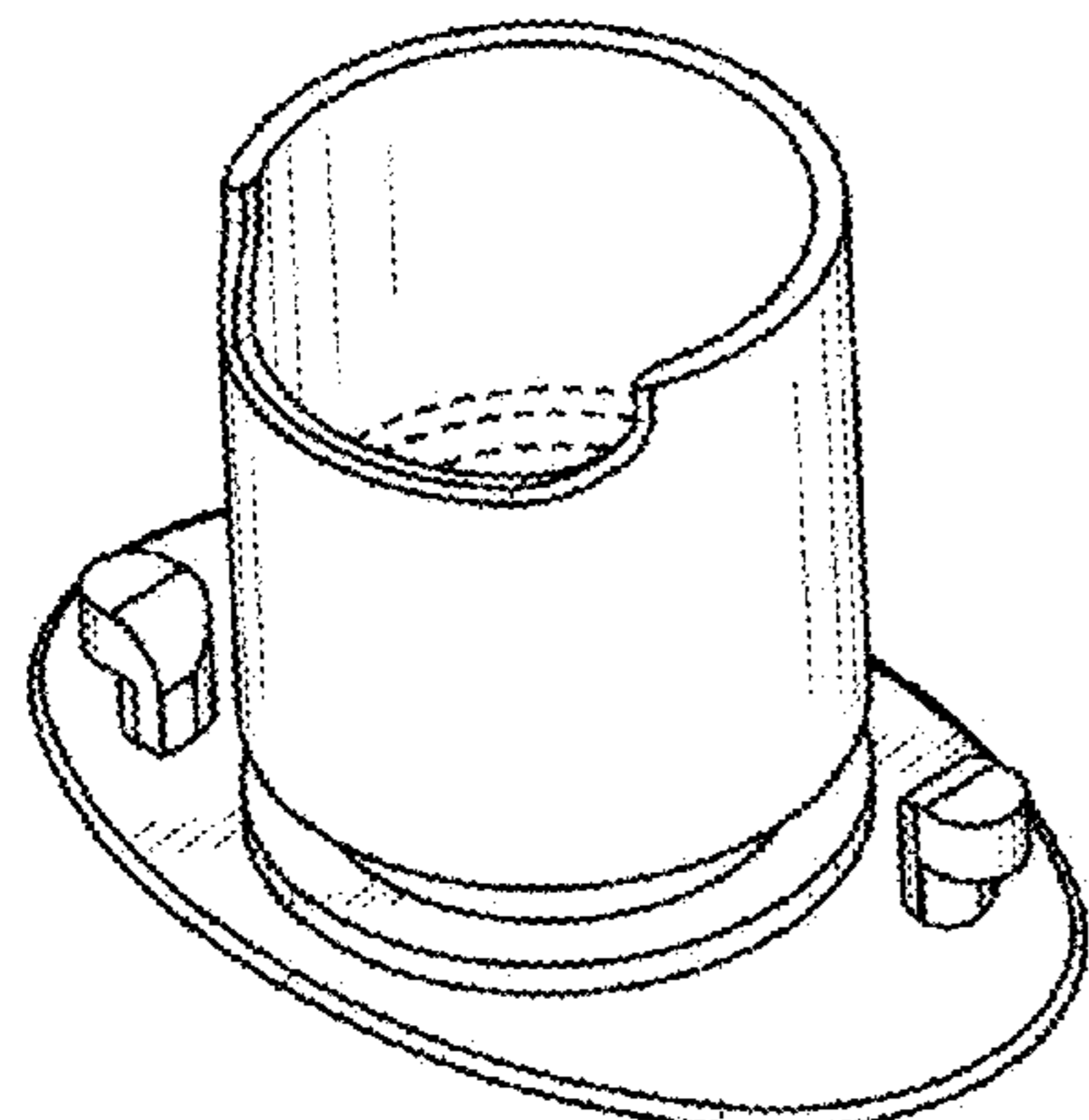
Primary Examiner — Robert M Spear
Assistant Examiner — Marissa J Cash
(74) *Attorney, Agent, or Firm* — Thrope North & Western, LLP

(57) **CLAIM**
The ornamental design for a collection canister for a microdermabrasion device, as shown and described herein.

DESCRIPTION

FIG. 1 is a top perspective view of a collection canister for a microdermabrasion device, showing my new design;
FIG. 2 is a front view thereof;
FIG. 3 is a back view thereof;
FIG. 4 is a right view thereof, taken from the right side of FIG. 2;
FIG. 5 is a left side view thereof, taken from the left side of FIG. 2;
FIG. 6 is a top plan view thereof; and,
FIG. 7 is a bottom plan view thereof.
The surface indicia of parallel lines form no part of the claimed design and are merely surface and contour shading. Broken lines depict unclaimed subject matter and form no part of the claimed design.

1 Claim, 2 Drawing Sheets



(56)

References Cited

U.S. PATENT DOCUMENTS

D651,307 S 12/2011 Sangha
 D651,709 S * 1/2012 Zeyfang D24/127
 8,343,116 B2 1/2013 Igon et al.
 D690,007 S * 9/2013 Ingram et al. D24/130
 D691,033 S 10/2013 Allman
 D695,404 S * 12/2013 Horning et al. D24/146
 8,814,836 B2 * 8/2014 Igon et al. 604/289
 D713,714 S 9/2014 Kishida
 D716,446 S * 10/2014 Bitaraf et al. D24/146
 D721,436 S 1/2015 Ting et al.
 2002/0151908 A1 10/2002 Mallett et al.
 2002/0156432 A1 10/2002 Racenet et al.
 2003/0060834 A1 3/2003 Muldner
 2004/0010268 A1 1/2004 Gabehart
 2004/0068824 A1 4/2004 Gardner
 2004/0097967 A1 5/2004 Igon
 2004/0138680 A1 7/2004 Twitchell et al.
 2004/0254588 A1 12/2004 Kim
 2005/0043653 A1 2/2005 Trimmer et al.
 2006/0253125 A1 11/2006 Igon
 2006/0256990 A1 * 11/2006 Holmes 381/330
 2007/0005078 A1 1/2007 Hart et al.
 2007/0129711 A1 6/2007 Altshuler et al.

2007/0156124 A1 7/2007 Igon
 2008/0215068 A1 9/2008 Hart et al.
 2008/0255586 A1 10/2008 Greenberg
 2009/0192442 A1 7/2009 Igon et al.
 2009/0222023 A1 9/2009 Boone, III et al.
 2010/0045427 A1 2/2010 Boone et al.
 2010/0049177 A1 2/2010 Boone, III et al.
 2011/0009882 A1 1/2011 Remsberg et al.
 2011/0028993 A1 2/2011 Menke et al.
 2011/0130748 A1 6/2011 Kellogg et al.
 2012/0209294 A1 * 8/2012 Bitaraf et al. 606/131
 2014/0135798 A1 5/2014 David
 2014/0343574 A1 11/2014 Igon et al.
 2015/0032047 A1 1/2015 Igon et al.

OTHER PUBLICATIONS

NuBrilliance™ Frequently Asked Questions; [https://www.trynubril-
 liance.com/Faq.dtm](https://www.trynubril-

 liance.com/Faq.dtm); as accessed Sep. 7, 2010; 3 pages.
 NuBrilliance Professional At-Home Microdermabrasion Kit; [http://
 www.dermadoctor.com/product_NuBrilliance-professional- . . .](http://

 www.dermadoctor.com/product_NuBrilliance-professional-...); as
 accessed Sep. 7, 2010; 3 pages.
 U.S. Appl. No. 29/446,423, filed Feb. 22, 2013; Travis Dowdell.
 U.S. Appl. No. 13/271,979, filed Oct. 12, 2011; Diane Bitaraf.
 U.S. Appl. No. 13/407,567, filed Feb. 28, 2012; Diane Bitaraf.

* cited by examiner

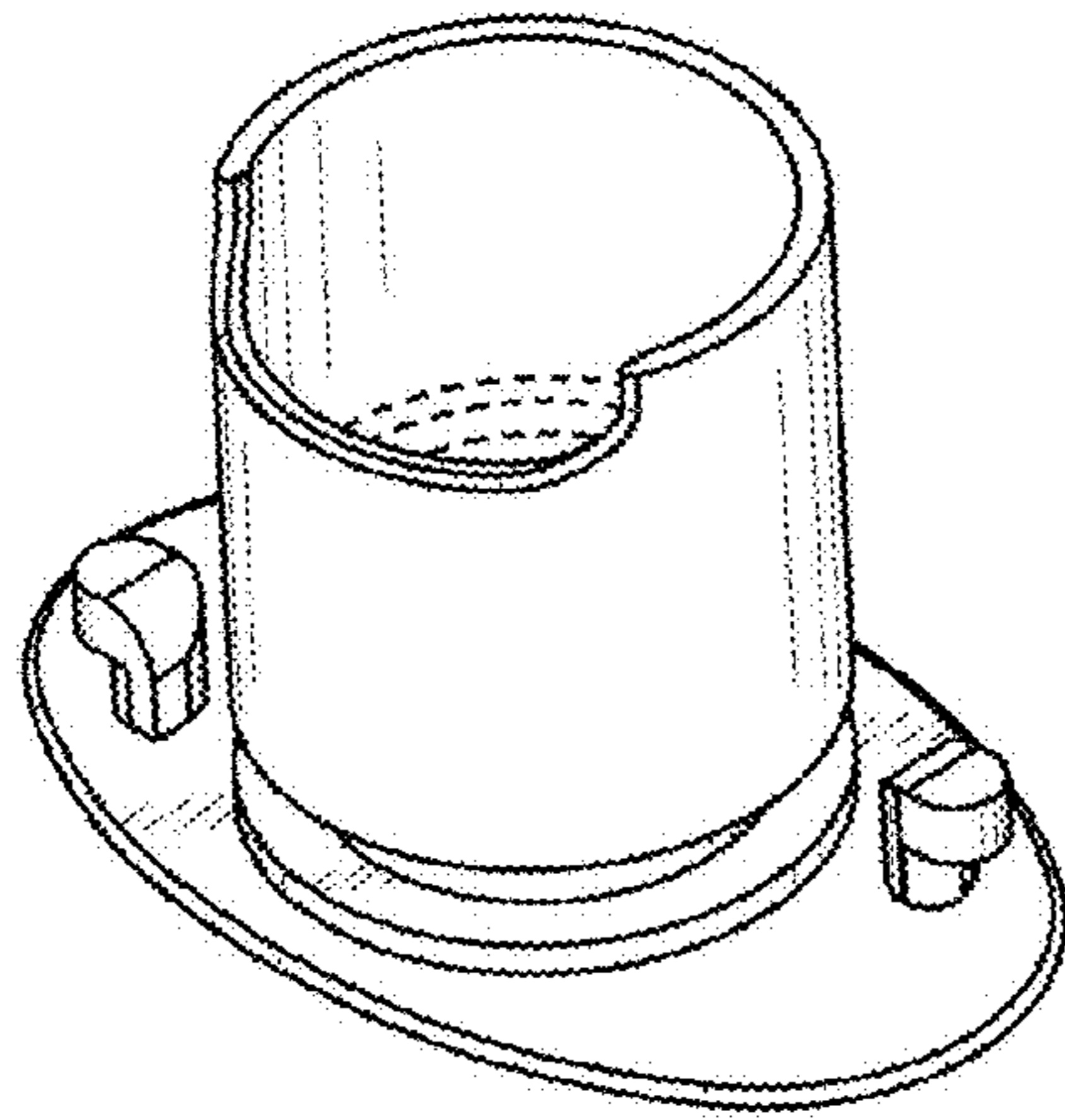


FIG. 1

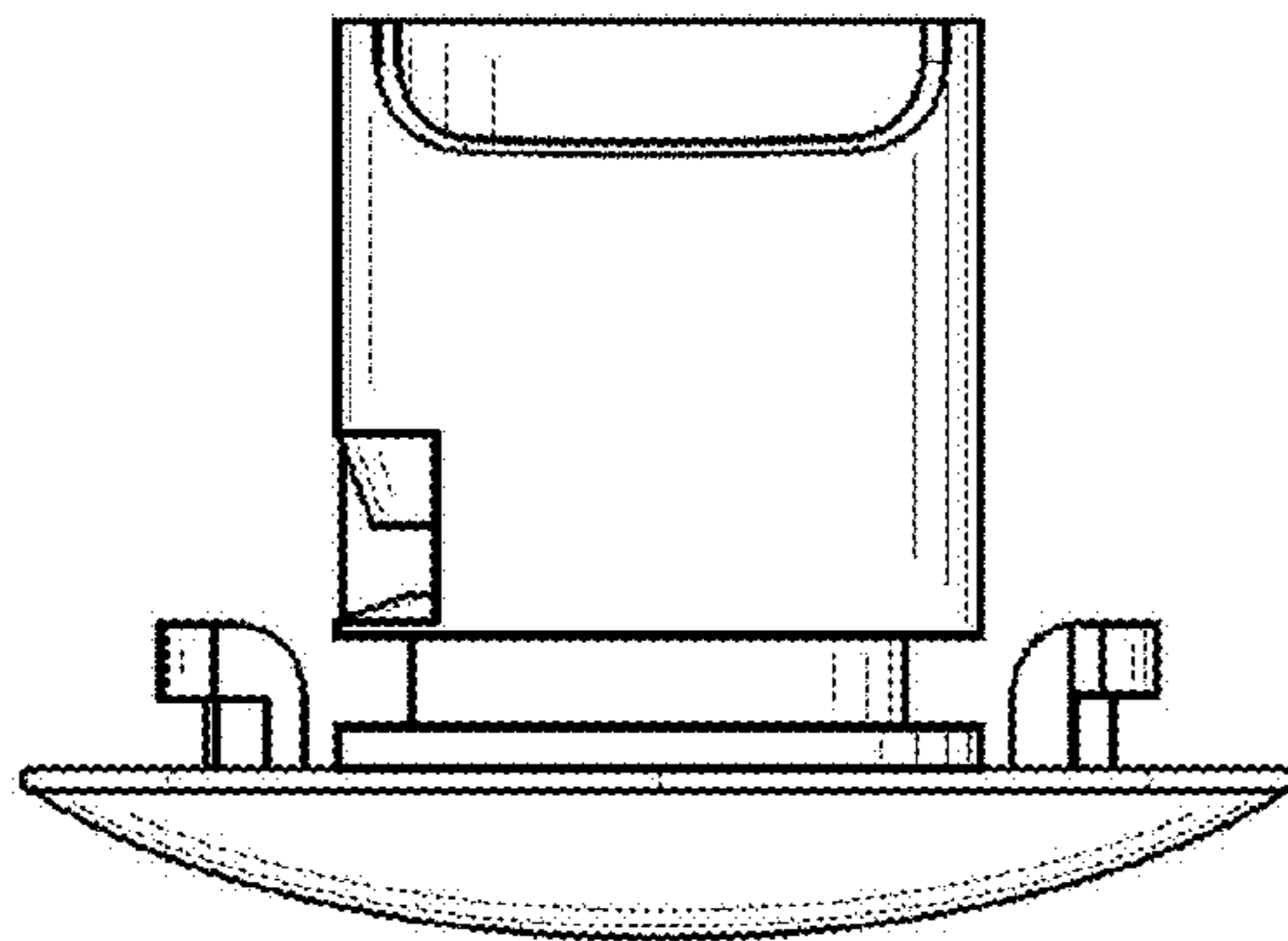


FIG. 2

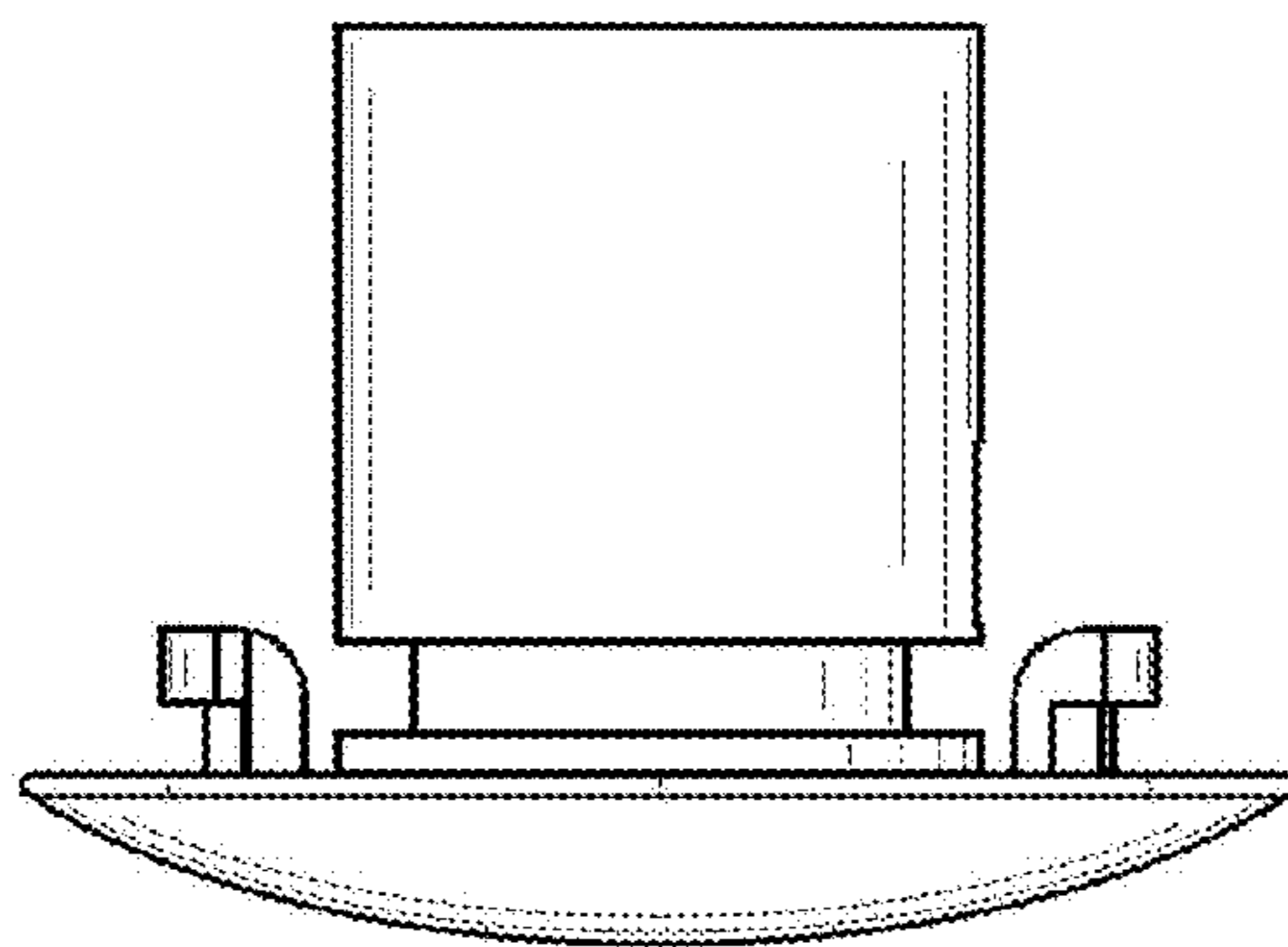


FIG. 3

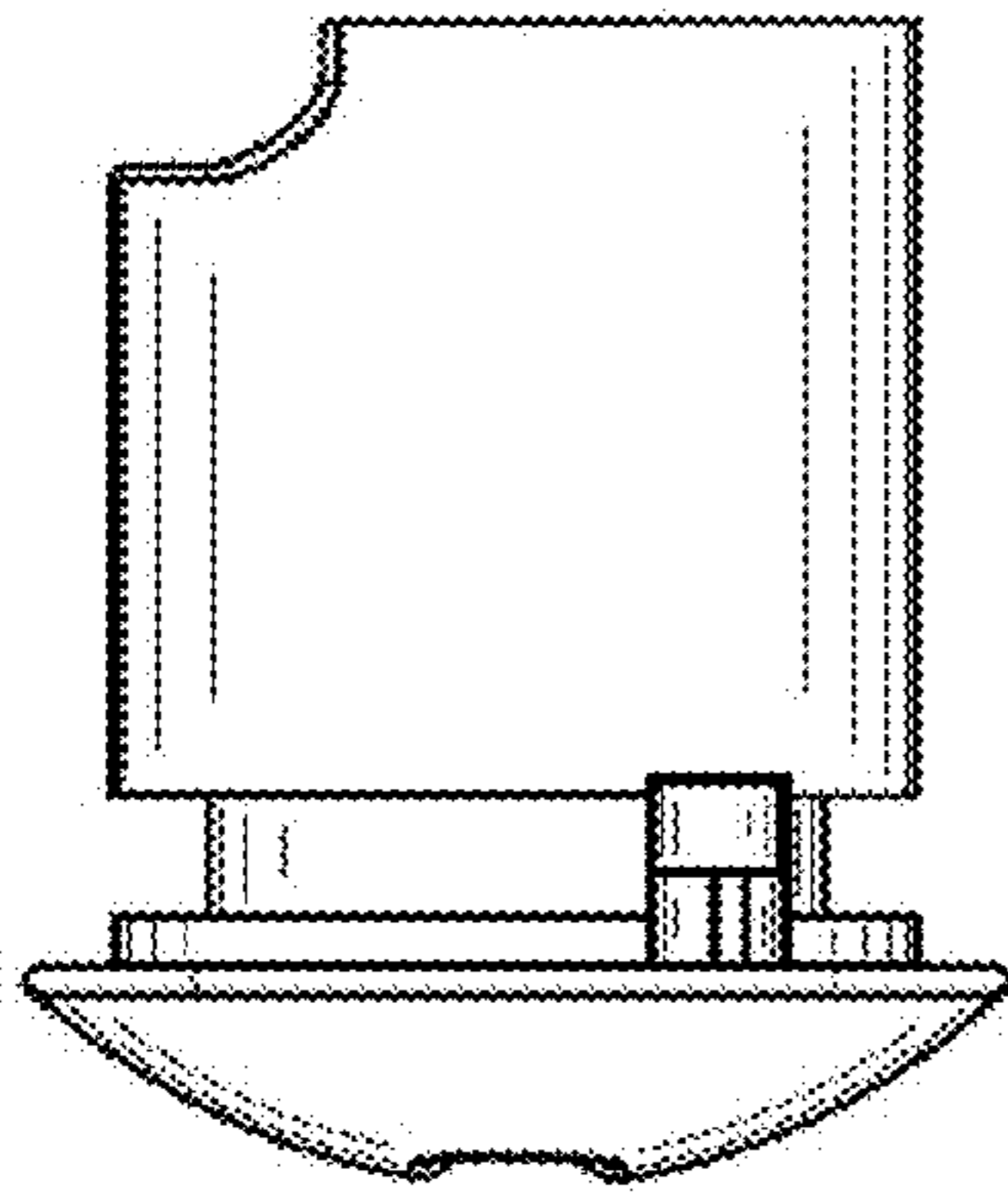


FIG. 4

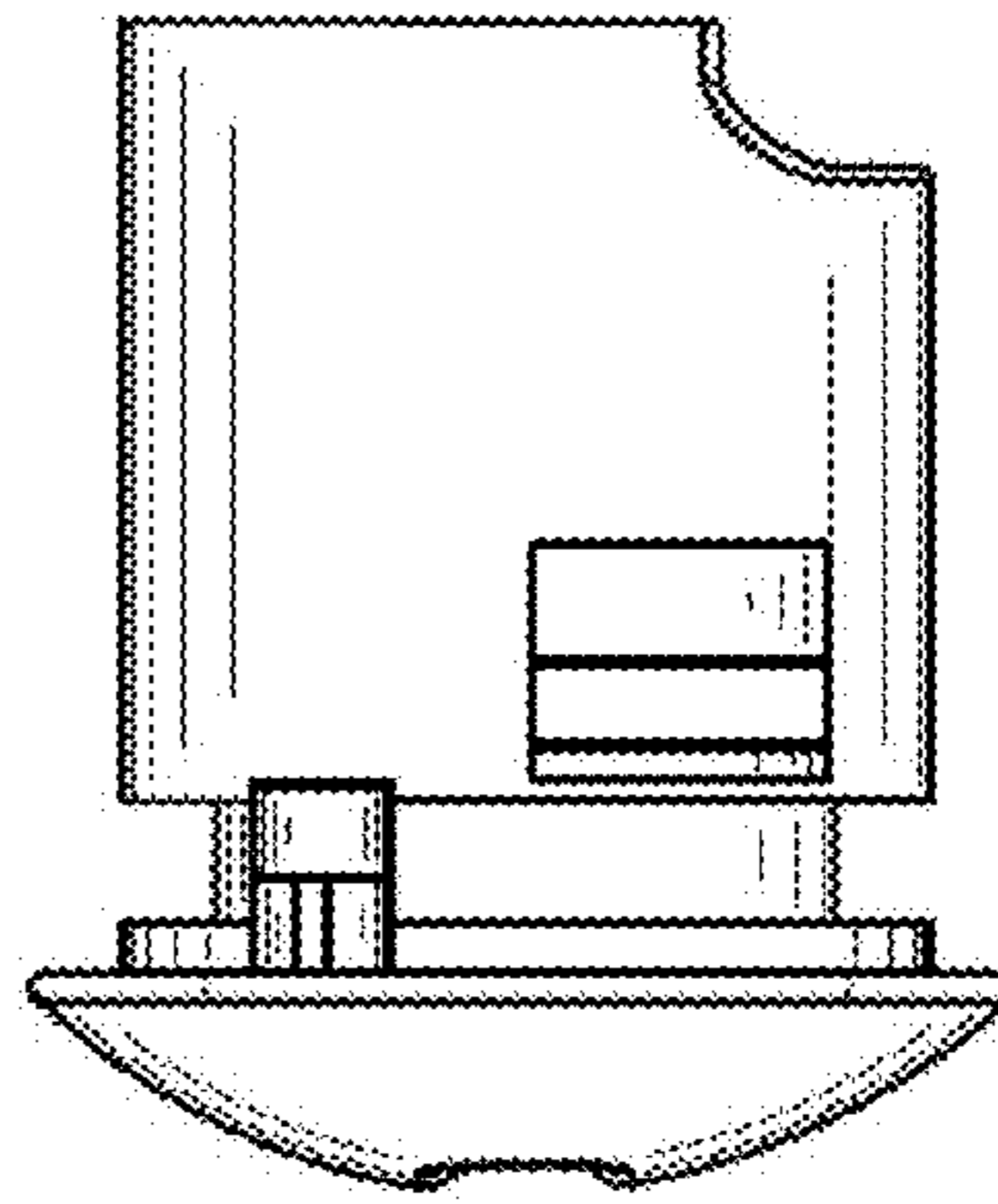


FIG. 5

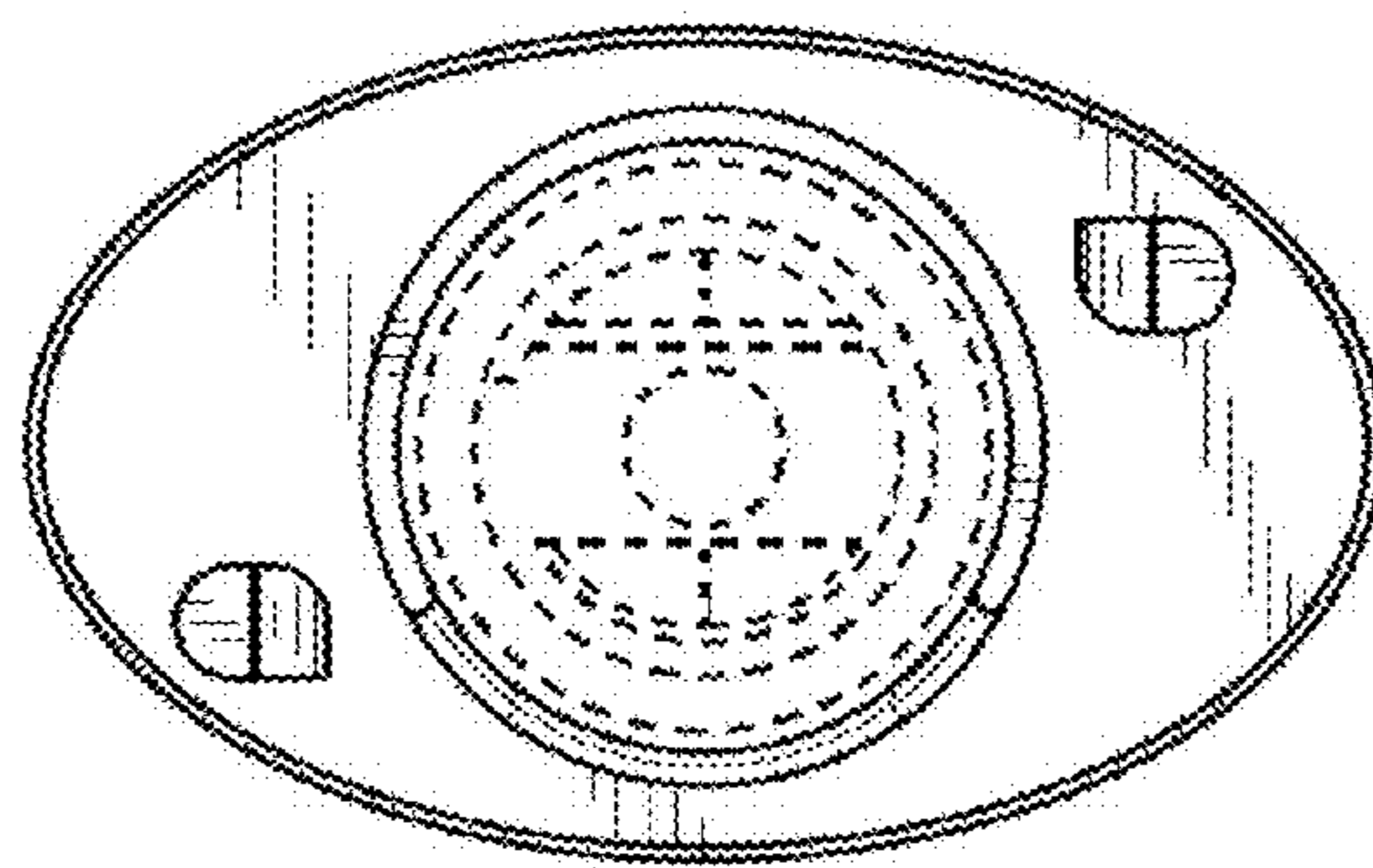


FIG. 6

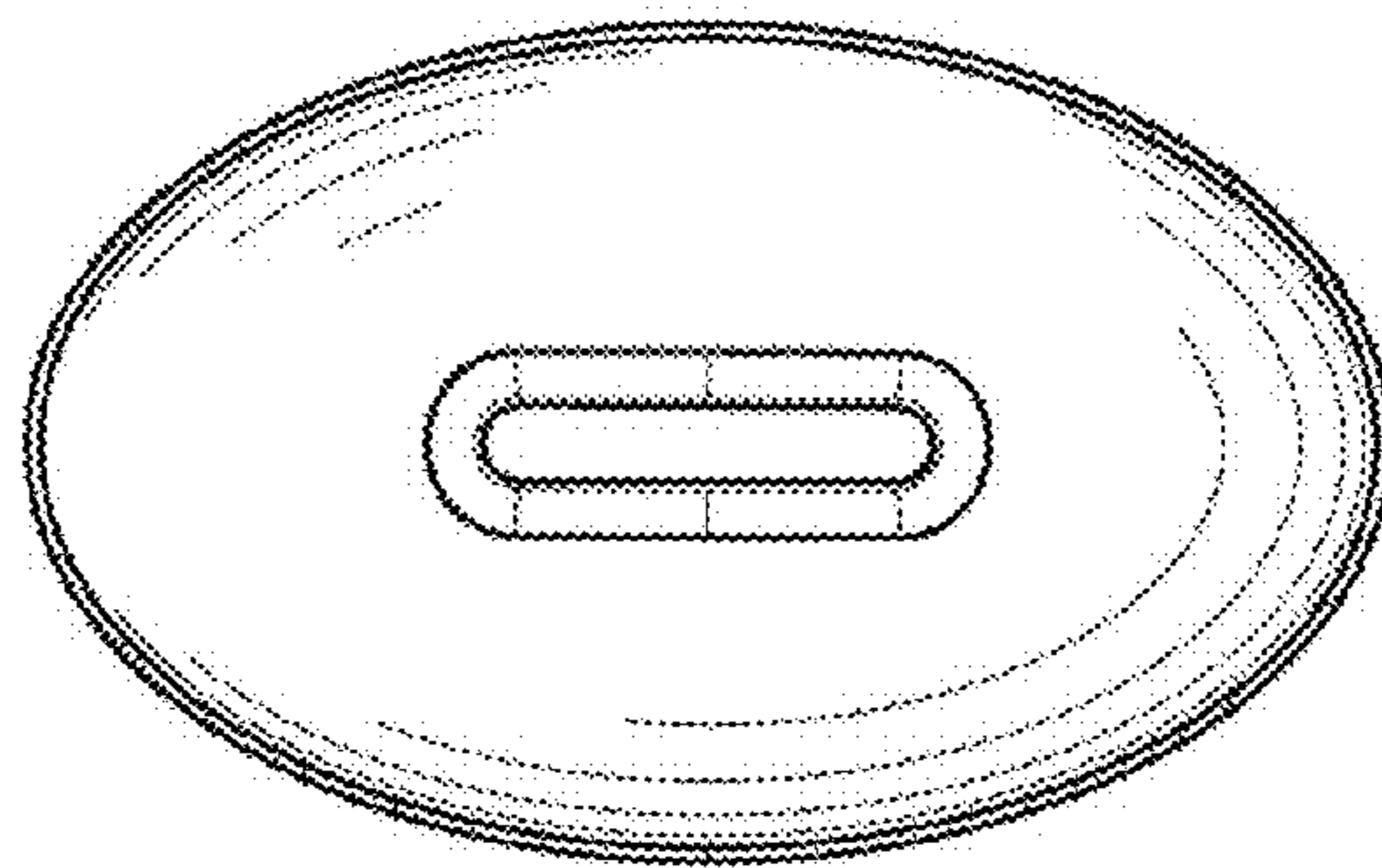


FIG. 7