



US00D741478S

(12) **United States Design Patent**
Rogers

(10) **Patent No.:** **US D741,478 S**

(45) **Date of Patent:** **** Oct. 20, 2015**

(54) **RADIANT ENERGY AND FLUID GUIDE**

(71) Applicant: **Charles Brian Rogers**, Dunedin, FL
(US)

(72) Inventor: **Charles Brian Rogers**, Dunedin, FL
(US)

(73) Assignee: **ROCOMP GLOBAL, LLC**, Houston,
TX (US)

(**) Term: **14 Years**

(21) Appl. No.: **29/479,725**

(22) Filed: **Jan. 17, 2014**

(51) **LOC (10) Cl.** **24-01**

(52) **U.S. Cl.**
USPC **D24/129**

(58) **Field of Classification Search**
USPC D24/129, 112-114, 130, 127, 104, 133,
D24/186, 108; 606/181, 185; 604/264, 272,
604/115, 164.01-164.09, 533, 232, 187,
604/168.01, 192, 19, 48, 93.01, 523, 524,
604/526, 67; 600/101, 139, 143;
128/200.24, 207.14, 207.15
CPC A61M 25/00; A61M 25/0014; A61M
25/0097; A61M 25/0026
See application file for complete search history.

(56) **References Cited**

U.S. PATENT DOCUMENTS

4,682,981	A *	7/1987	Suzuki et al.	604/158
D299,538	S *	1/1989	Balding et al.	D24/129
D329,495	S *	9/1992	Kotake	D24/129
D340,976	S *	11/1993	Garcia	D24/110
5,344,414	A *	9/1994	Lopez et al.	604/533
5,944,697	A *	8/1999	Biche	604/174
D483,487	S *	12/2003	Harding et al.	D24/129
D506,828	S *	6/2005	Layne et al.	D24/129
D590,056	S *	4/2009	McCrary et al.	D24/108

D606,194	S *	12/2009	Frey et al.	D24/147
D617,001	S *	6/2010	Lee	D24/220
D634,007	S *	3/2011	Zinger et al.	D24/129
D638,931	S *	5/2011	Graham et al.	D24/127
D641,080	S *	7/2011	Zinger et al.	D24/129
D653,338	S *	1/2012	Mangeshikar	D24/133
D664,647	S *	7/2012	Becker	D24/133
8,500,785	B2 *	8/2013	Gunderson	623/1.11
D691,717	S *	10/2013	McLean et al.	D24/129
D713,522	S *	9/2014	Woehr et al.	D24/112
D715,423	S *	10/2014	Rogers	D24/112
D715,921	S *	10/2014	Wan	D24/112
D719,255	S *	12/2014	Ohashi	D24/112
D720,452	S *	12/2014	Jordan	D24/130
2006/0142699	A1 *	6/2006	Lampropoulos	604/164.04
2013/0204082	A1 *	8/2013	Fischer, Jr.	600/104
2013/0331692	A1 *	12/2013	Mouri	600/435

* cited by examiner

Primary Examiner — David Muller

Assistant Examiner — Nathan Johnston

(74) *Attorney, Agent, or Firm* — The Compton Law Firm,
P.C.; Scott D. Compton

(57) **CLAIM**

The ornamental design for a radiant energy and fluid guide, as shown and described.

DESCRIPTION

FIG. 1 is a perspective view of a radiant energy and fluid guide showing my new design.

FIG. 2 is a front elevation view thereof.

FIG. 3 is a back elevation view thereof.

FIG. 4 is a left side elevation view thereof.

FIG. 5 is a right side elevation view thereof.

FIG. 6 is a top plan view thereof.

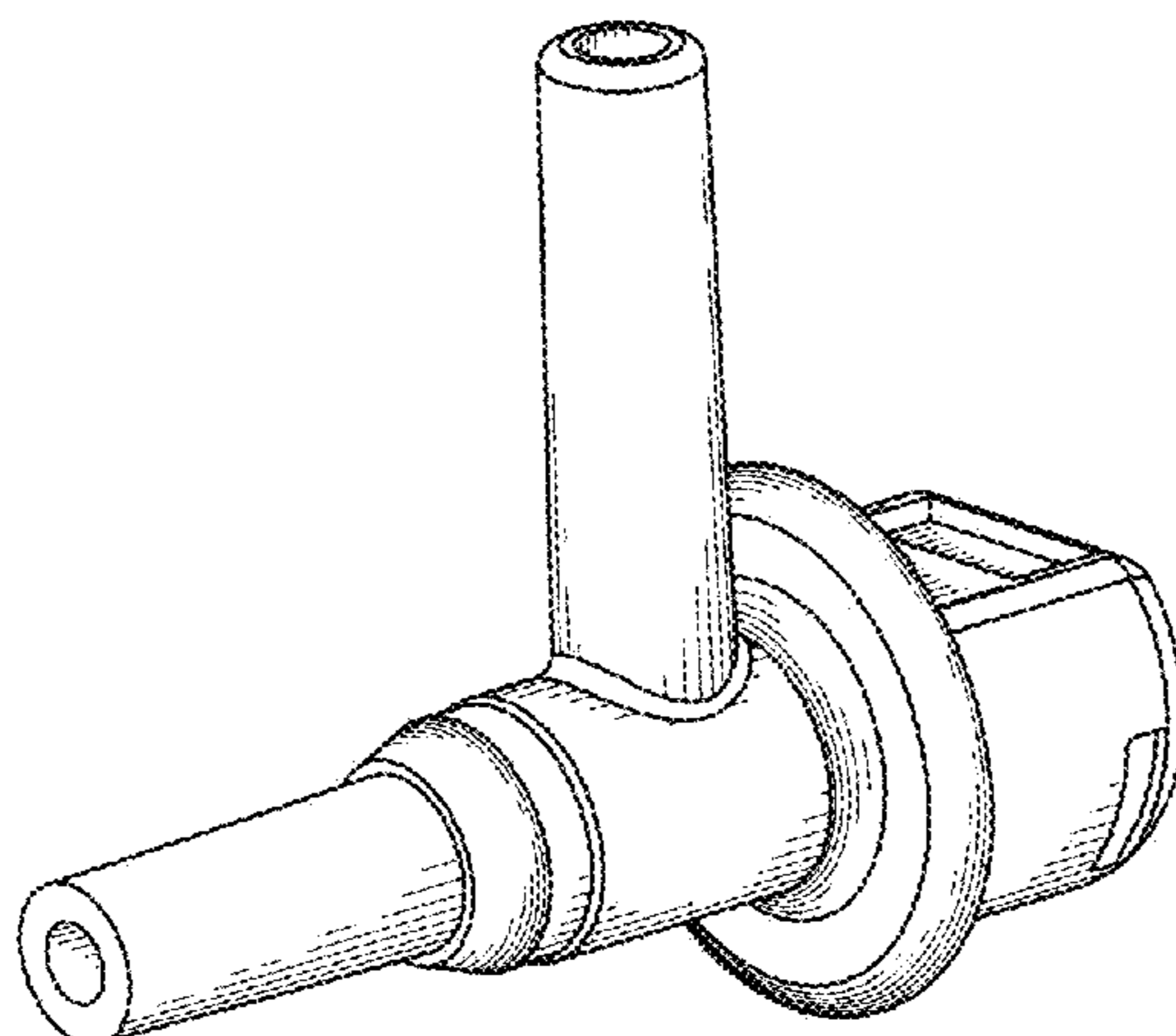
FIG. 7 is a bottom plan view thereof.

FIG. 8 is a perspective view thereof; and,

FIG. 9 is another perspective view thereof.

The broken lines are shown for environmental purposes only and form no part of the claimed design.

1 Claim, 5 Drawing Sheets



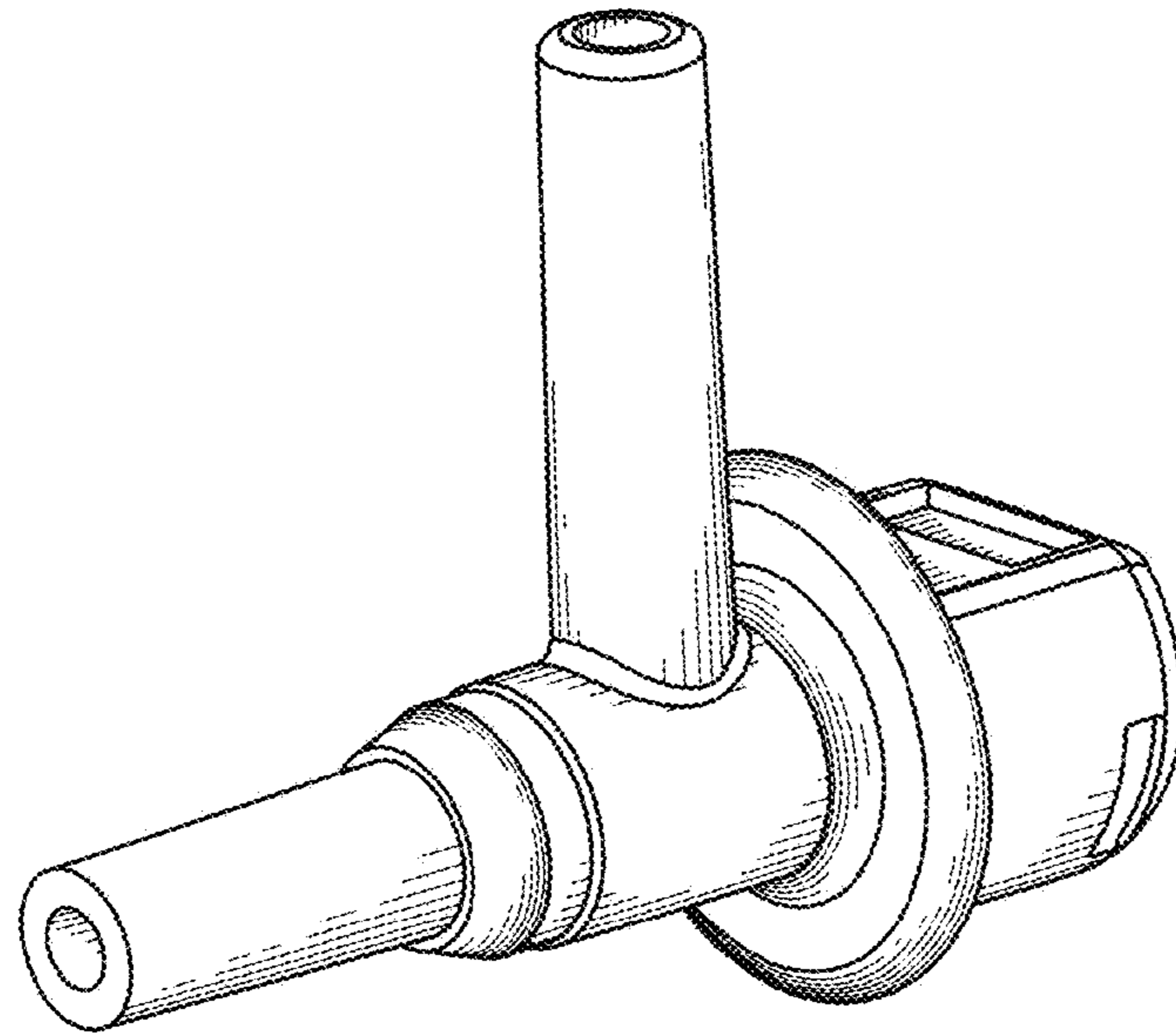


FIG. 1

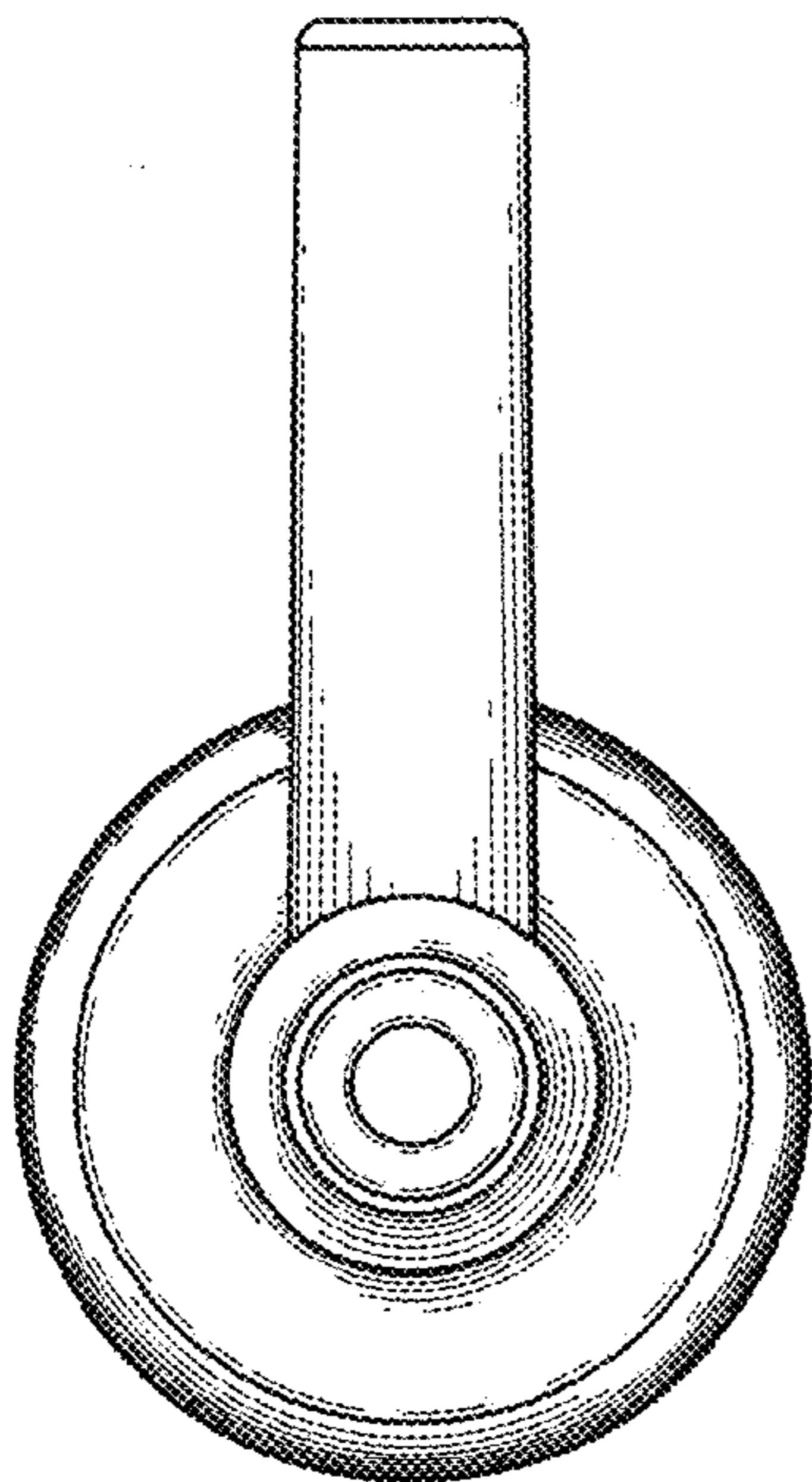


FIG. 2

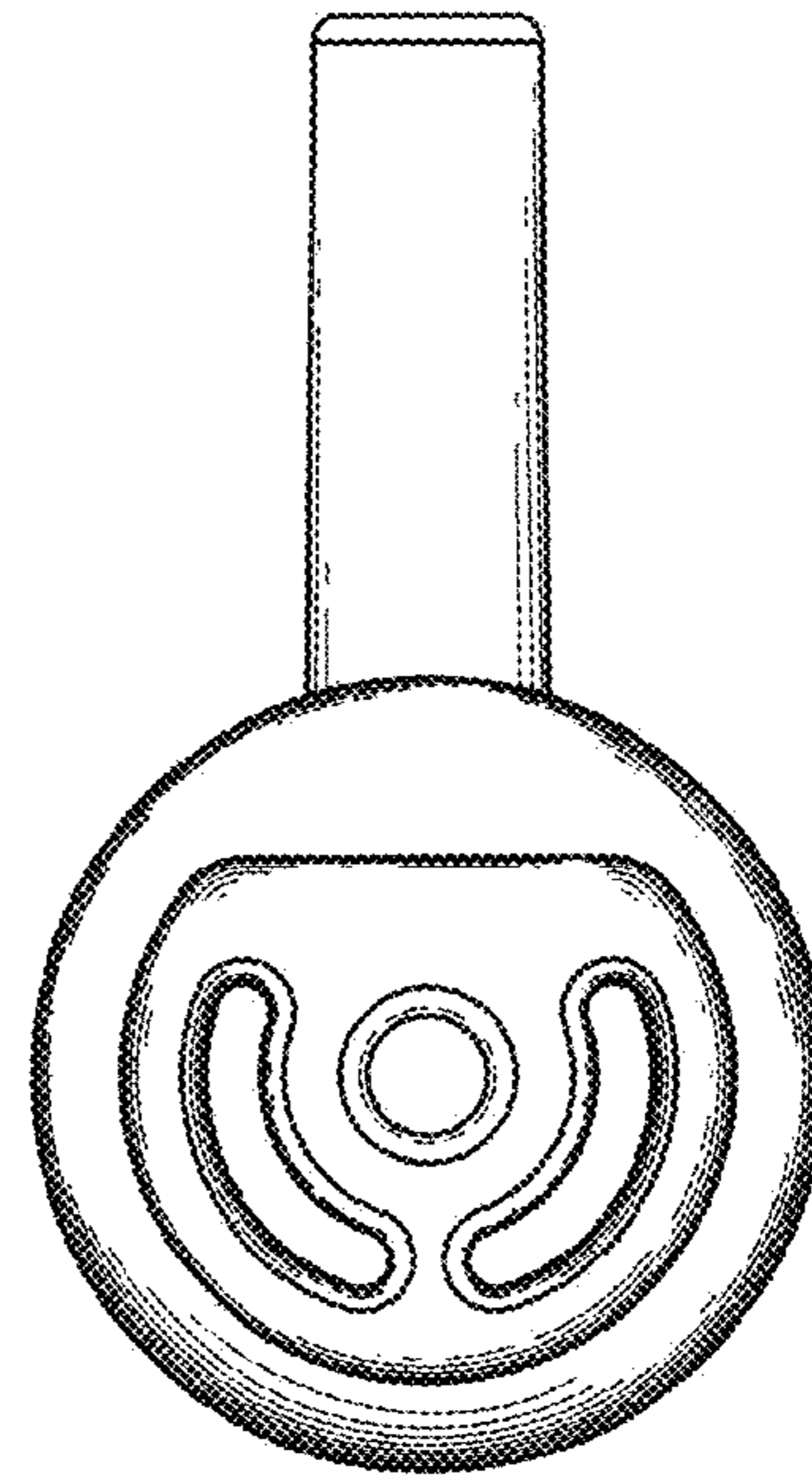


FIG. 3

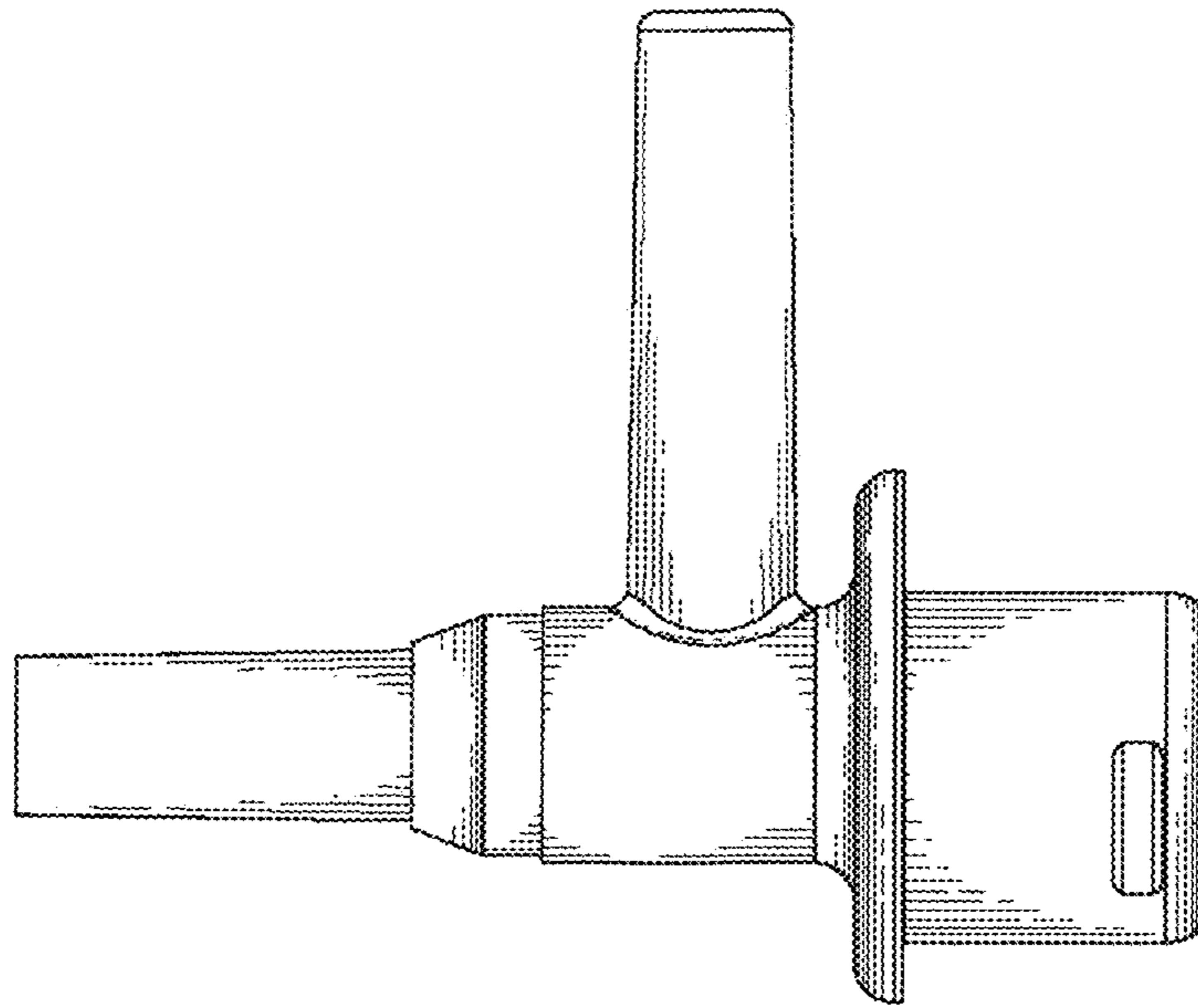


FIG. 4

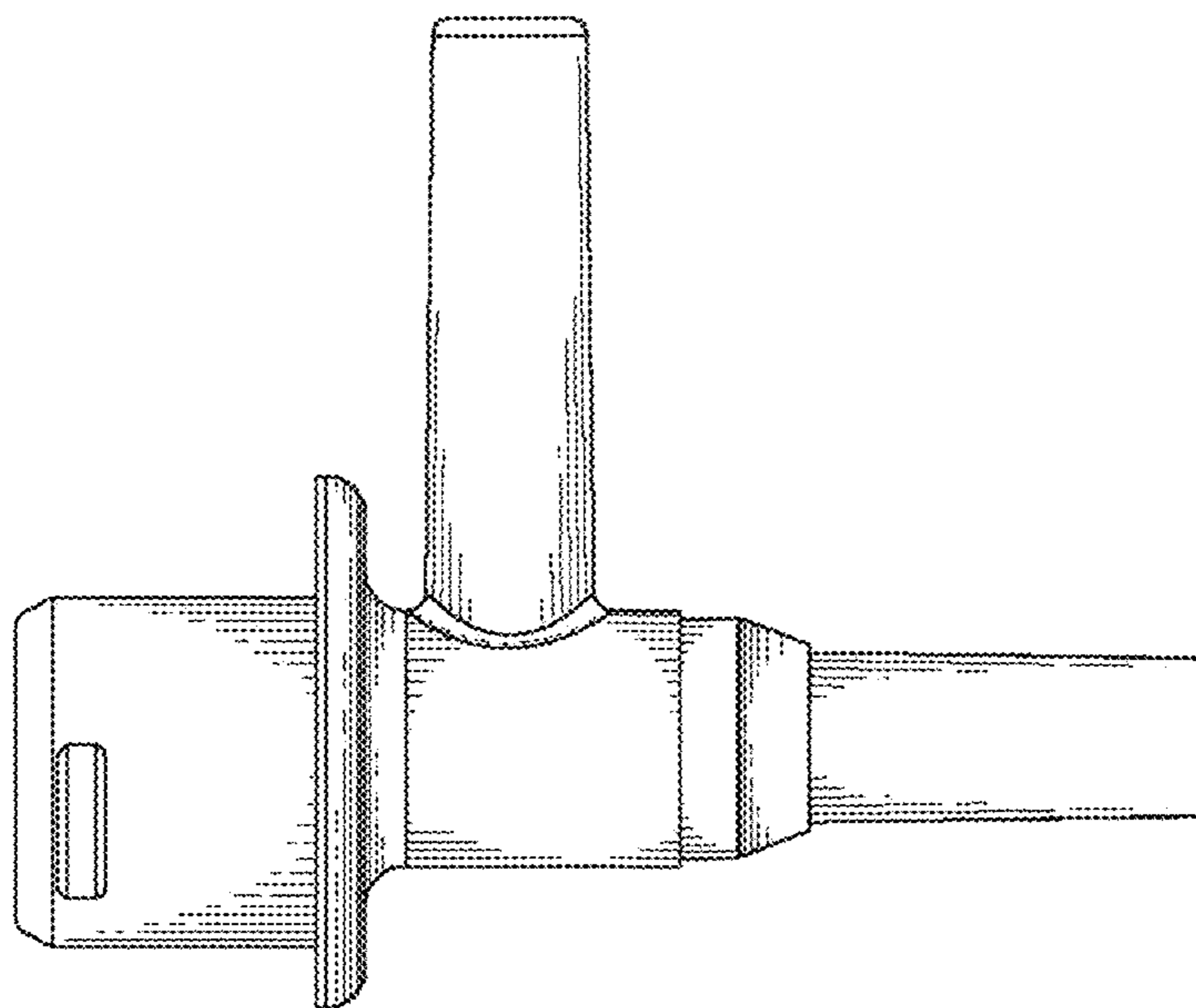


FIG. 5

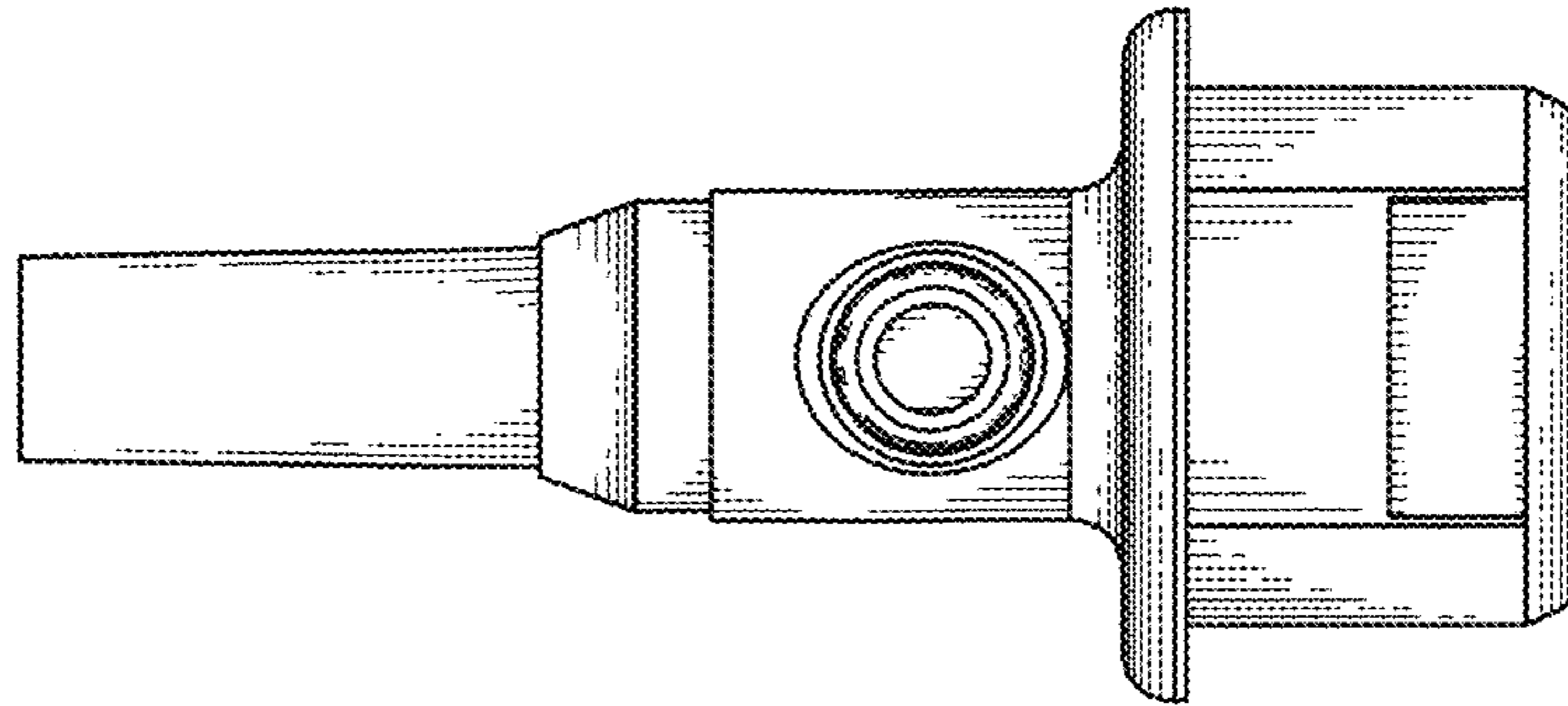


FIG. 6

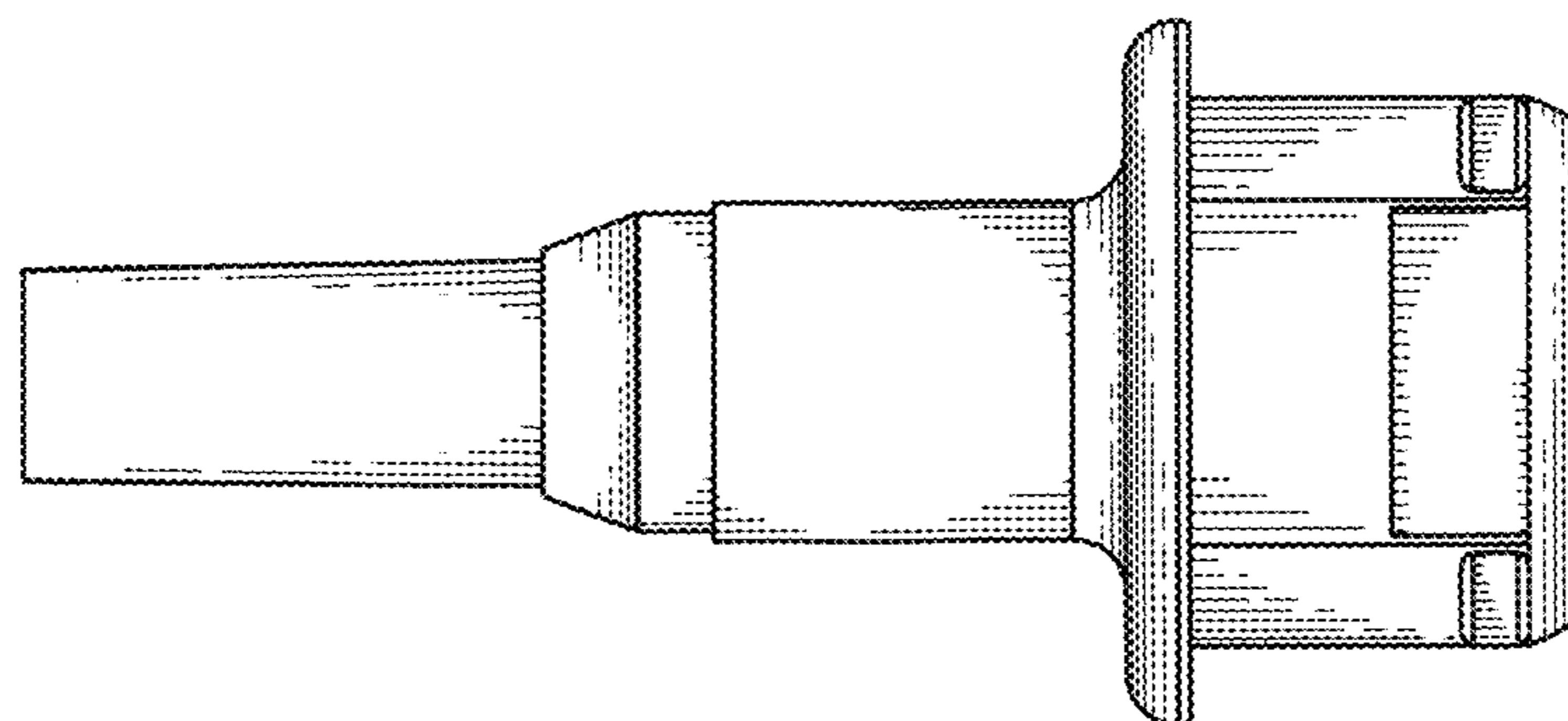


FIG. 7

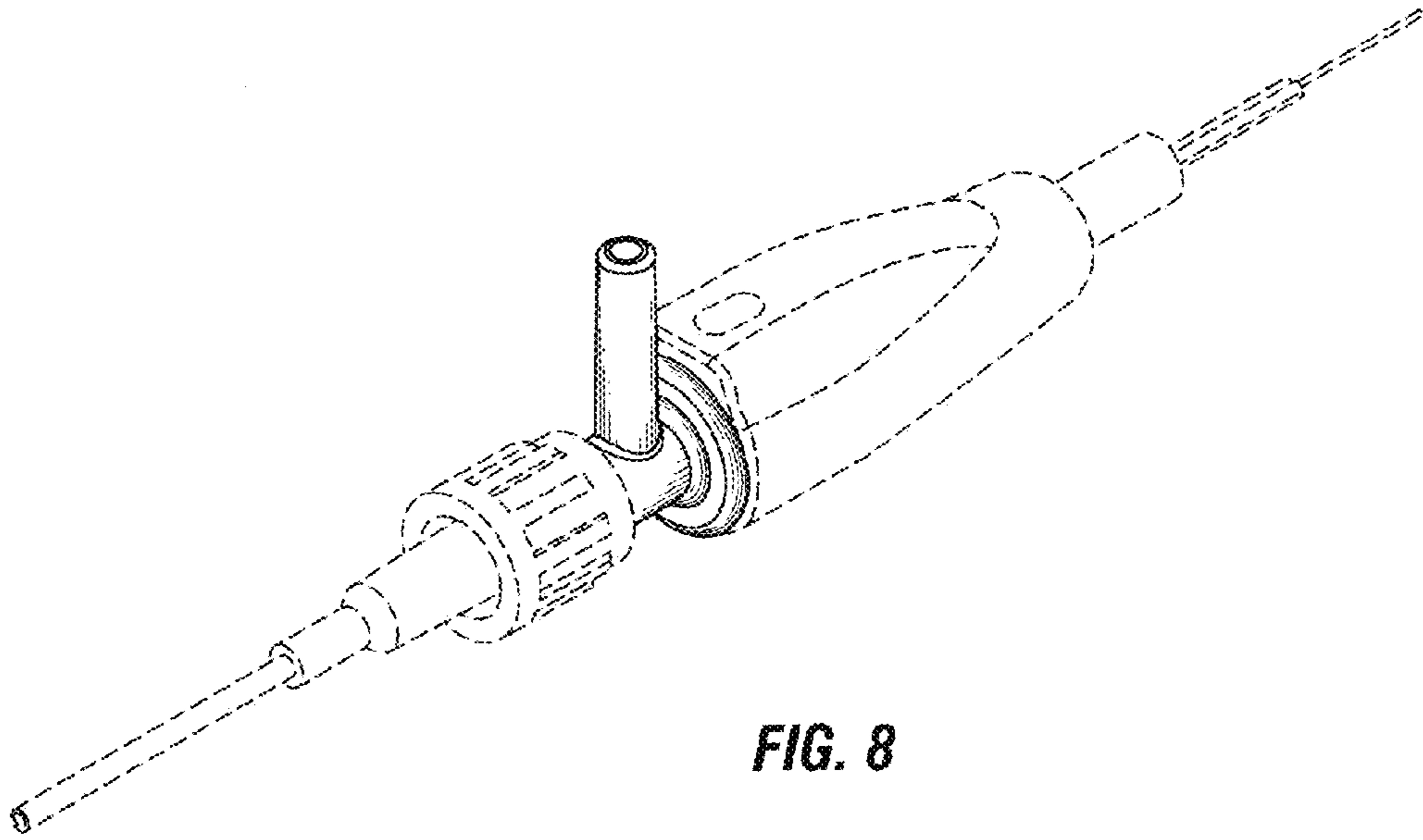


FIG. 8

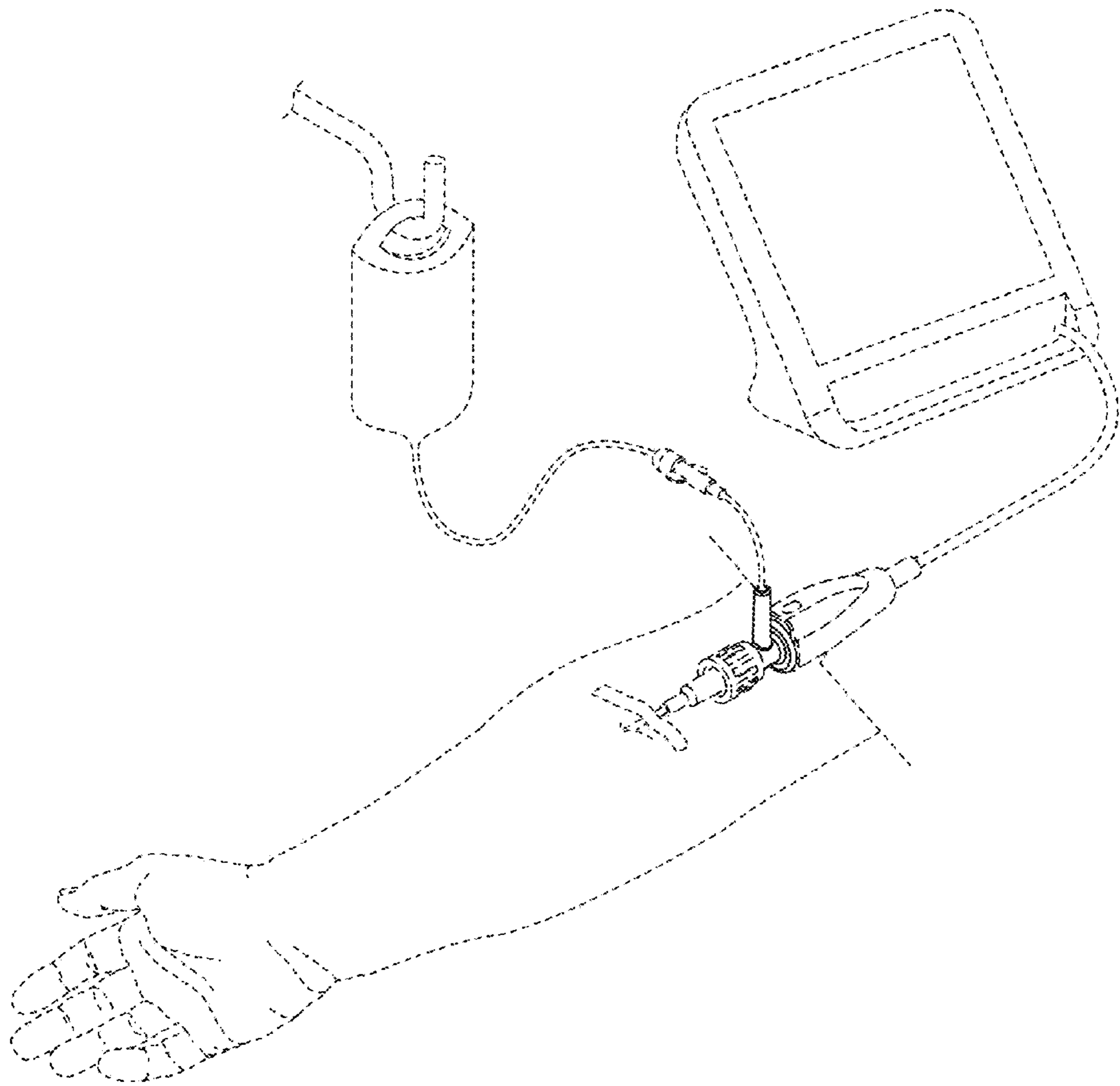


FIG. 9