



US00D741477S

(12) **United States Design Patent**  
**Rogers**

(10) **Patent No.:** **US D741,477 S**

(45) **Date of Patent:** **\*\* Oct. 20, 2015**

(54) **RADIANT ENERGY GUIDE**

(71) Applicant: **Charles Brian Rogers**, Dunedin, FL  
(US)

(72) Inventor: **Charles Brian Rogers**, Dunedin, FL  
(US)

(73) Assignee: **ROCOMP GLOBAL, LLC**, Houston,  
TX (US)

(\*\*) Term: **14 Years**

(21) Appl. No.: **29/479,724**

(22) Filed: **Jan. 17, 2014**

(51) **LOC (10) Cl.** ..... **24-01**

(52) **U.S. Cl.**  
USPC ..... **D24/129**

(58) **Field of Classification Search**  
USPC ..... D24/129, 112–114, 130, 127, 104, 133,  
D24/186, 108; 606/181, 185; 604/264, 272,  
604/115, 164.01–164.09, 533, 232, 187,  
604/168.01, 192, 19, 48, 93.01, 523, 524,  
604/526; 600/101, 139, 143; 601/67;  
128/200.24, 207.14, 207.15  
CPC ..... A61M 25/00; A61M 25/0014; A61M  
25/0097; A61M 25/0026  
See application file for complete search history.

(56) **References Cited**

**U.S. PATENT DOCUMENTS**

D616,089 S \* 5/2010 Van der Stappen ..... D24/113  
D629,891 S \* 12/2010 Virr et al. .... D24/129

D636,889 S \* 4/2011 Chia et al. .... D24/224  
D639,442 S \* 6/2011 Chandler ..... D24/190  
D644,731 S \* 9/2011 Fangrow, Jr. .... D24/129  
D652,917 S \* 1/2012 Hill et al. .... D24/129  
D655,815 S \* 3/2012 Miller et al. .... D24/133  
D658,291 S \* 4/2012 Jenkins et al. .... D24/140  
D678,522 S \* 3/2013 Gustavsson ..... D24/130  
8,758,306 B2 \* 6/2014 Lopez et al. .... 604/247  
D716,965 S \* 11/2014 Fruscella ..... D24/224  
2002/0133124 A1 \* 9/2002 Leinsing et al. .... 604/256  
2014/0276649 A1 \* 9/2014 Ivosevic et al. .... 604/533

\* cited by examiner

*Primary Examiner* — David Muller

*Assistant Examiner* — Nathan Johnston

(74) *Attorney, Agent, or Firm* — The Compton Law Firm,  
P.C.; Scott D. Compton

(57) **CLAIM**

The ornamental design for a radiant energy guide, as shown  
and described.

**DESCRIPTION**

FIG. 1 is a perspective view of a radiant energy guide showing  
my new design.

FIG. 2 is a front elevation view thereof.

FIG. 3 is a back elevation view thereof.

FIG. 4 is a left side elevation view thereof.

FIG. 5 is a right side elevation view thereof.

FIG. 6 is a top plan view thereof.

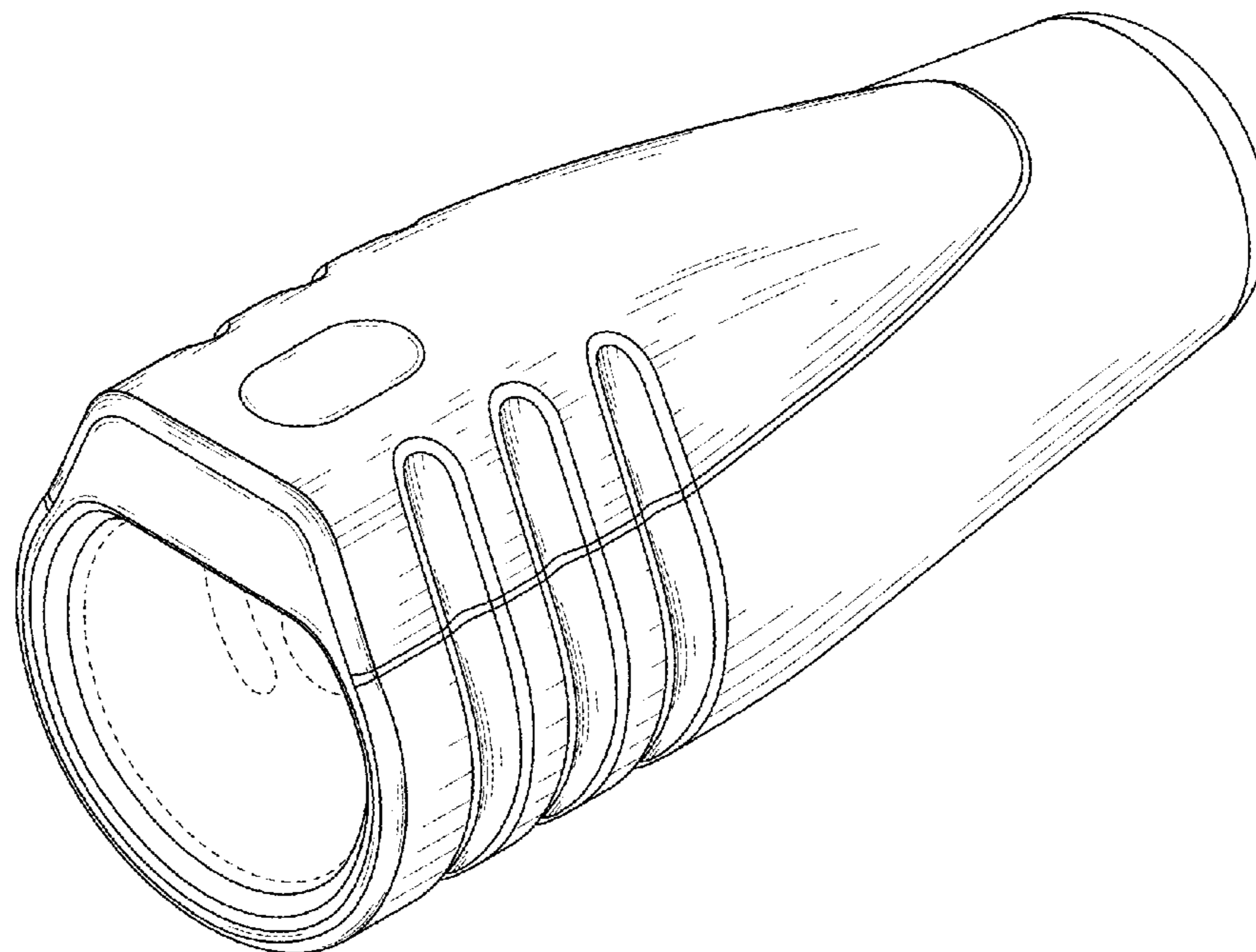
FIG. 7 is a bottom plan view thereof.

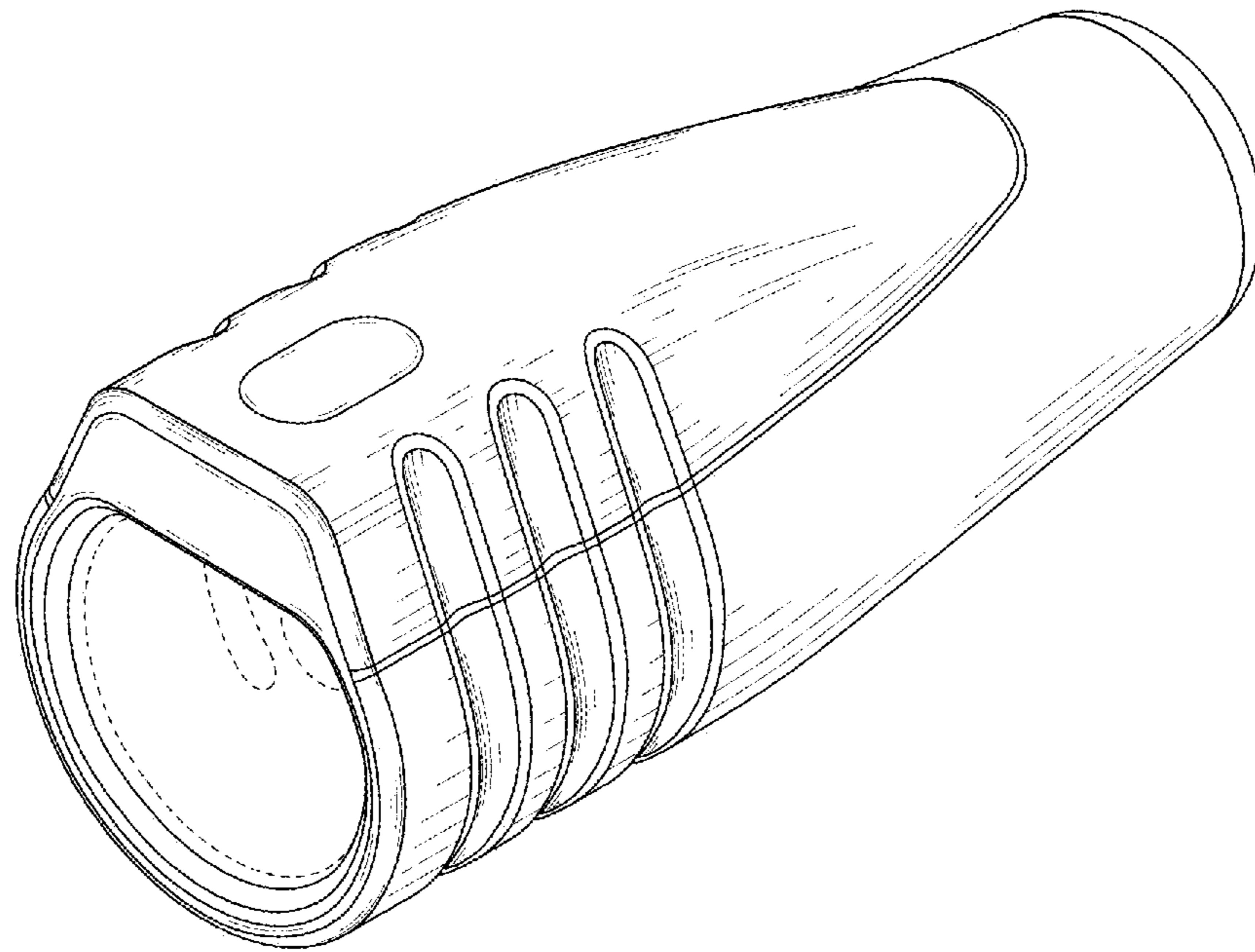
FIG. 8 is a perspective view thereof; and,

FIG. 9 is another perspective view thereof.

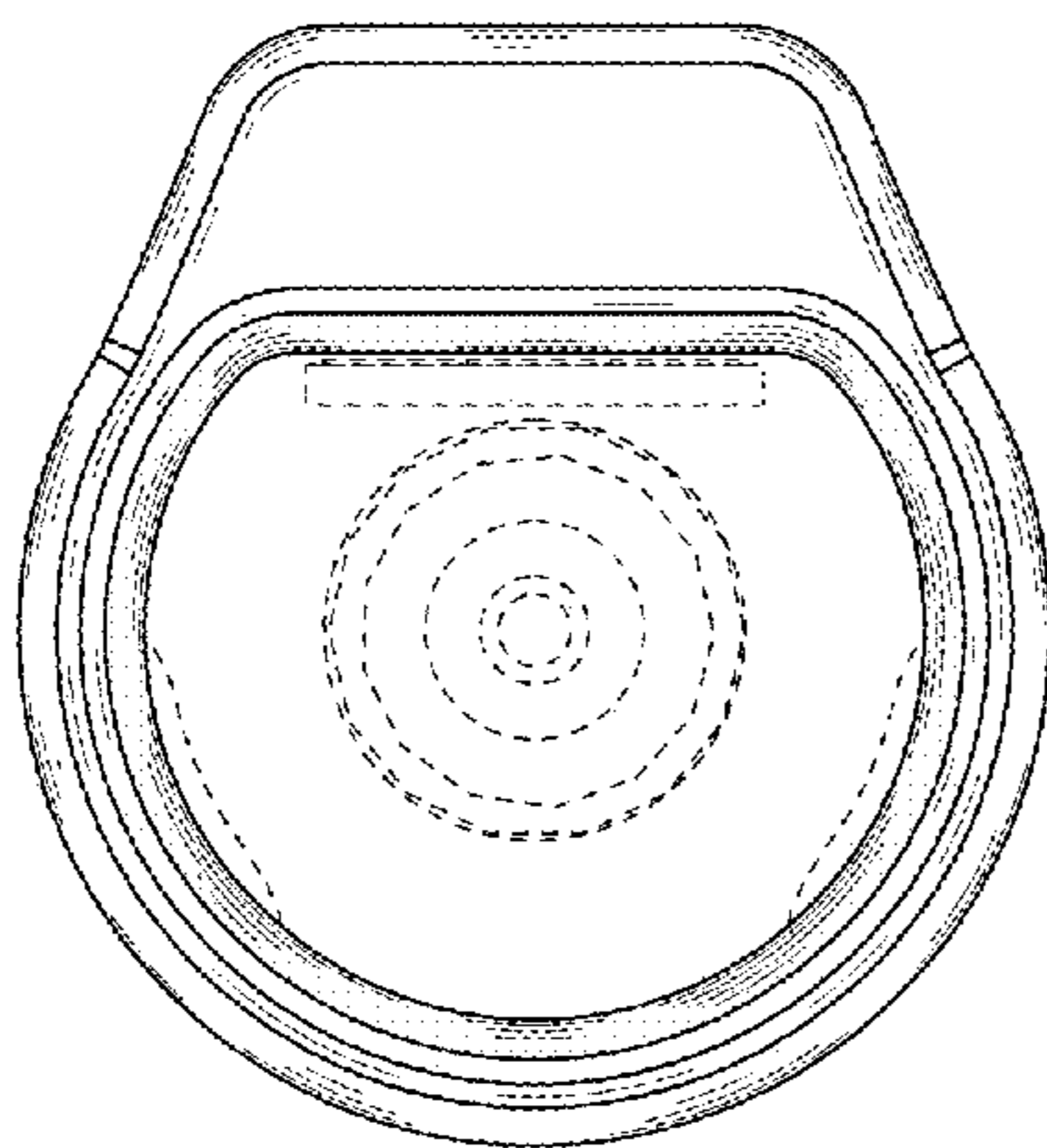
The broken lines are shown for environmental purposes only  
and form no part of the claimed design.

**1 Claim, 5 Drawing Sheets**

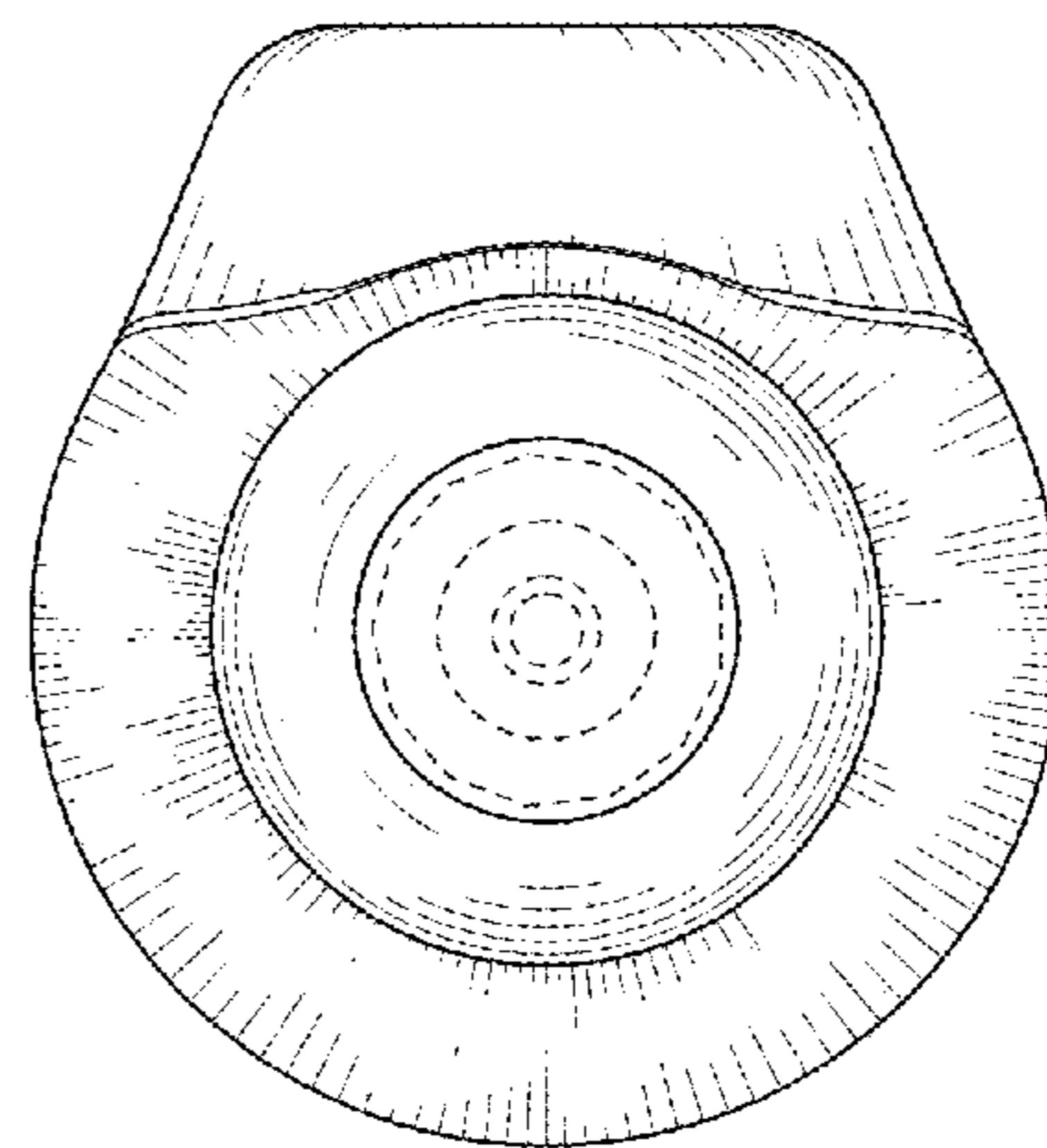




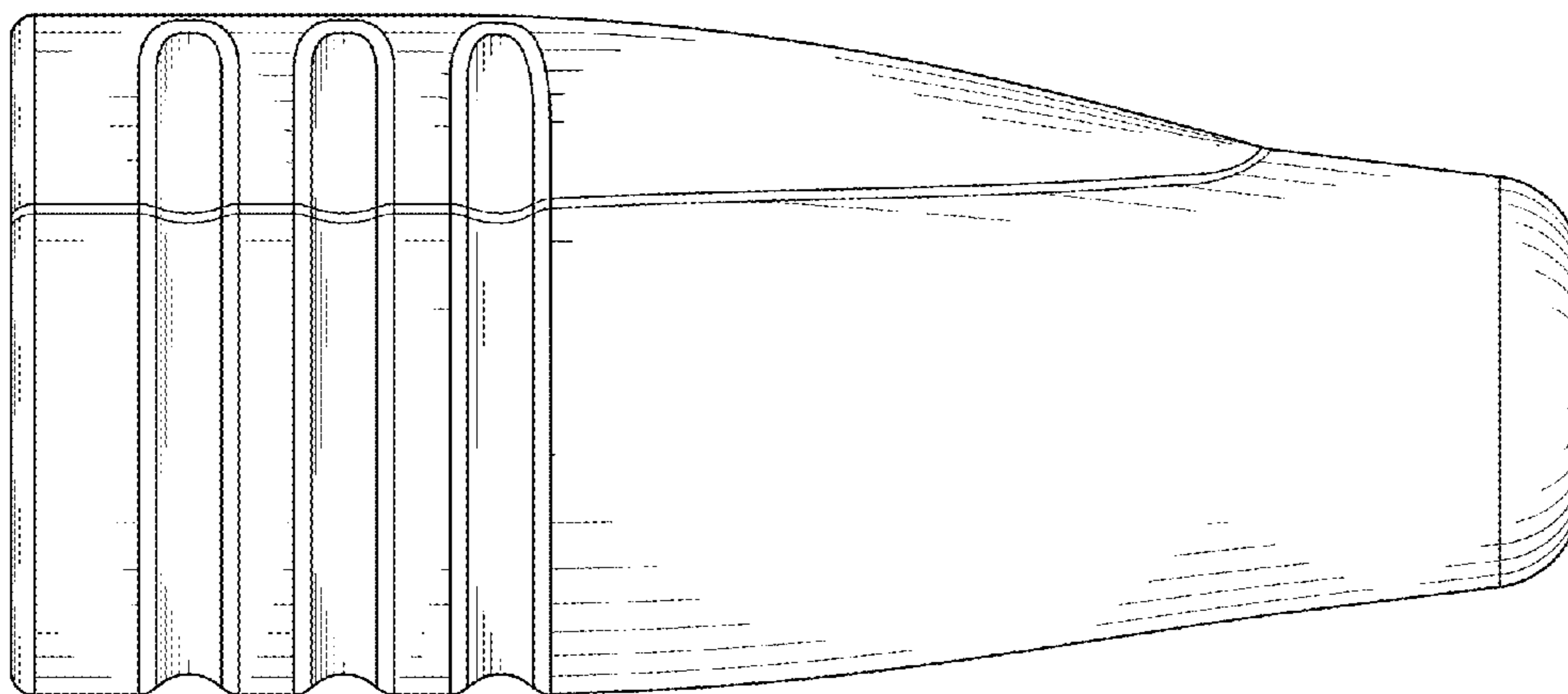
**FIG. 1**



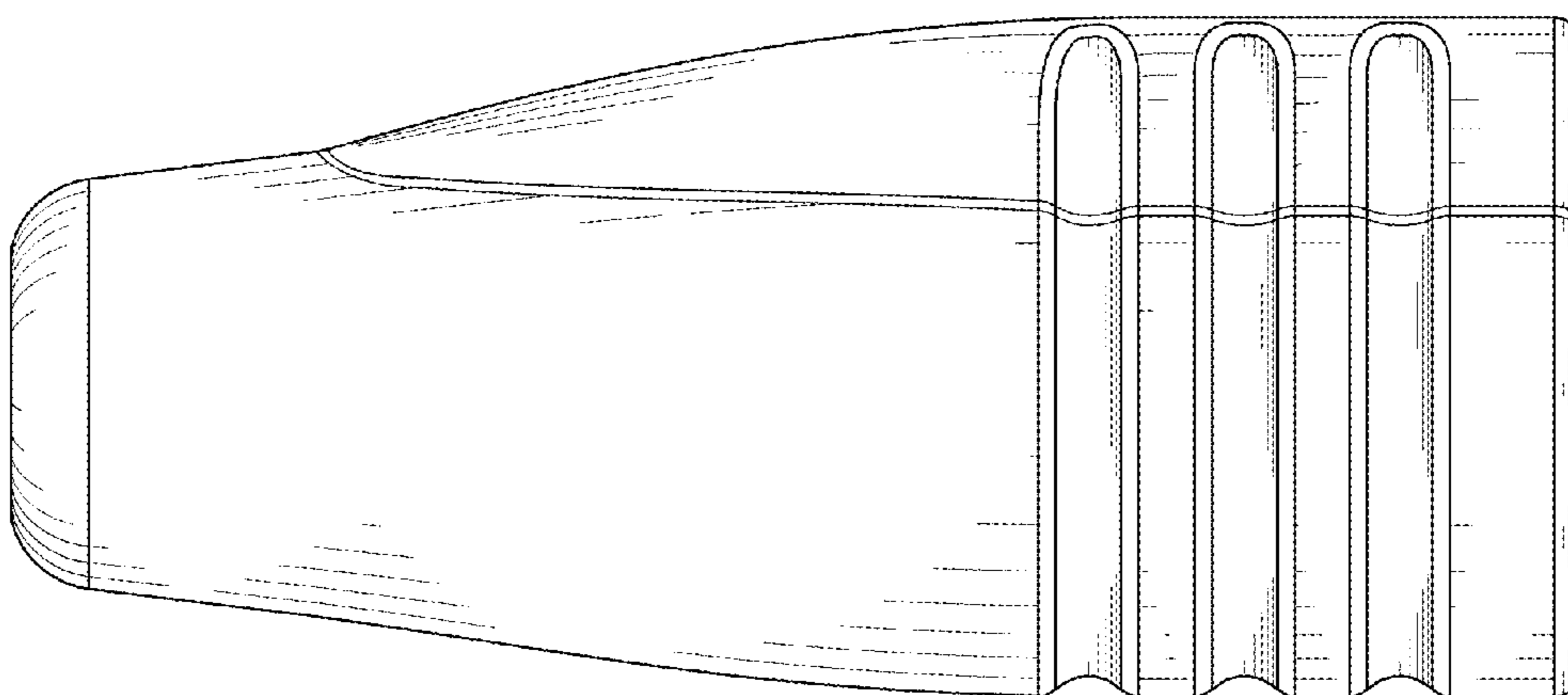
**FIG. 2**



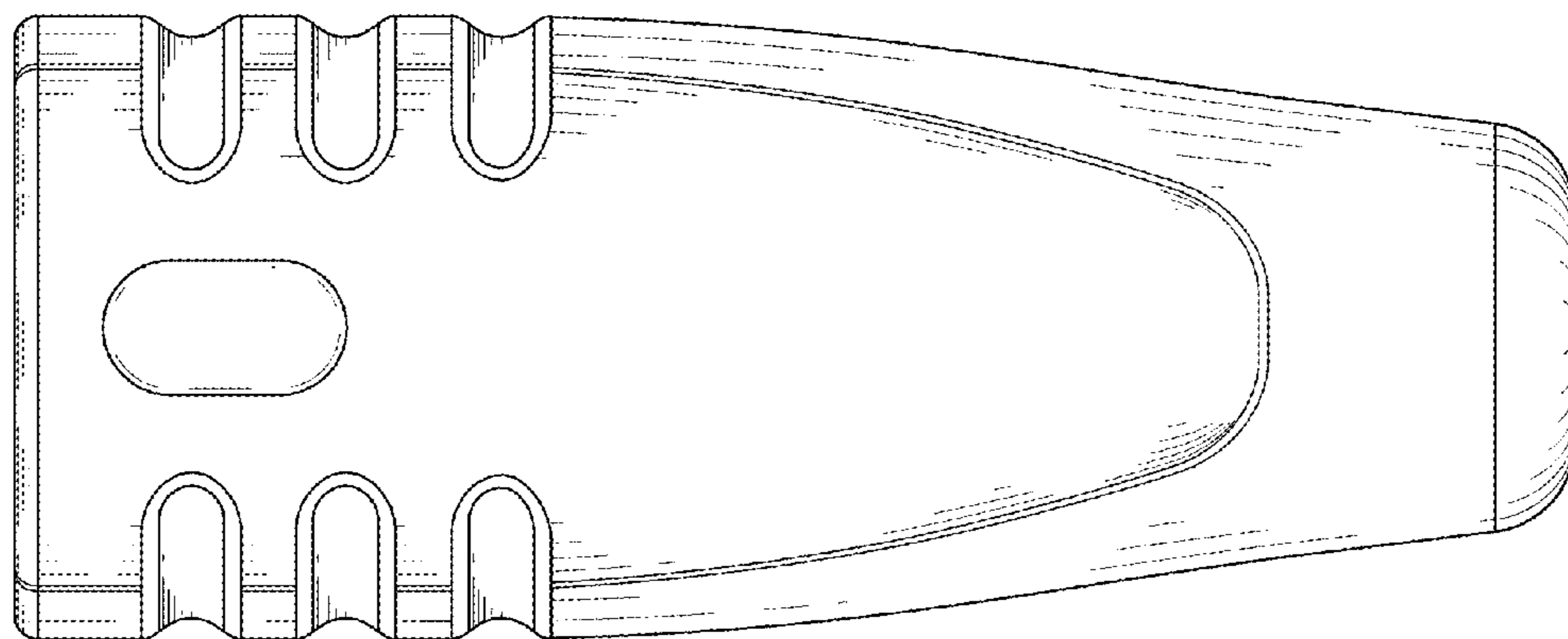
**FIG. 3**



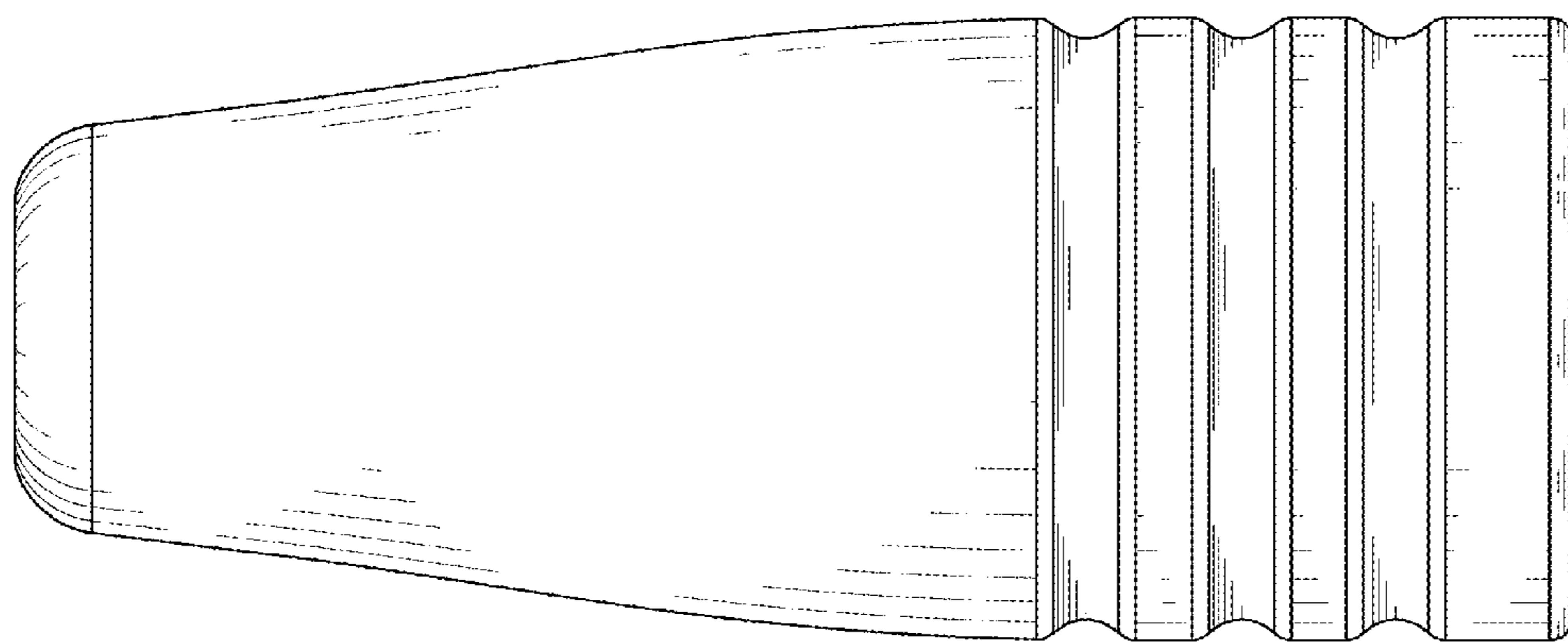
**FIG. 4**



**FIG. 5**



**FIG. 6**



**FIG. 7**

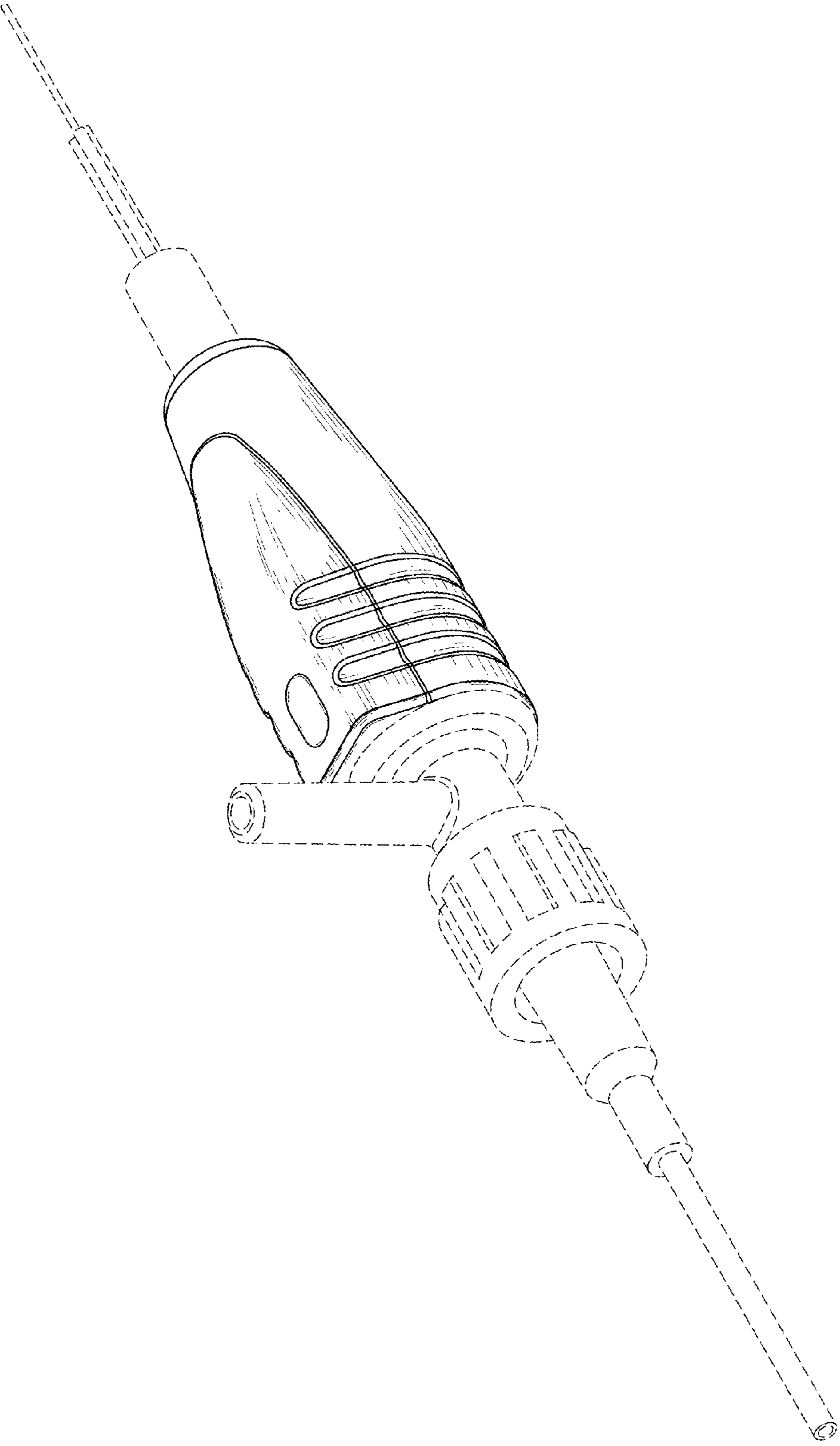


FIG. 8

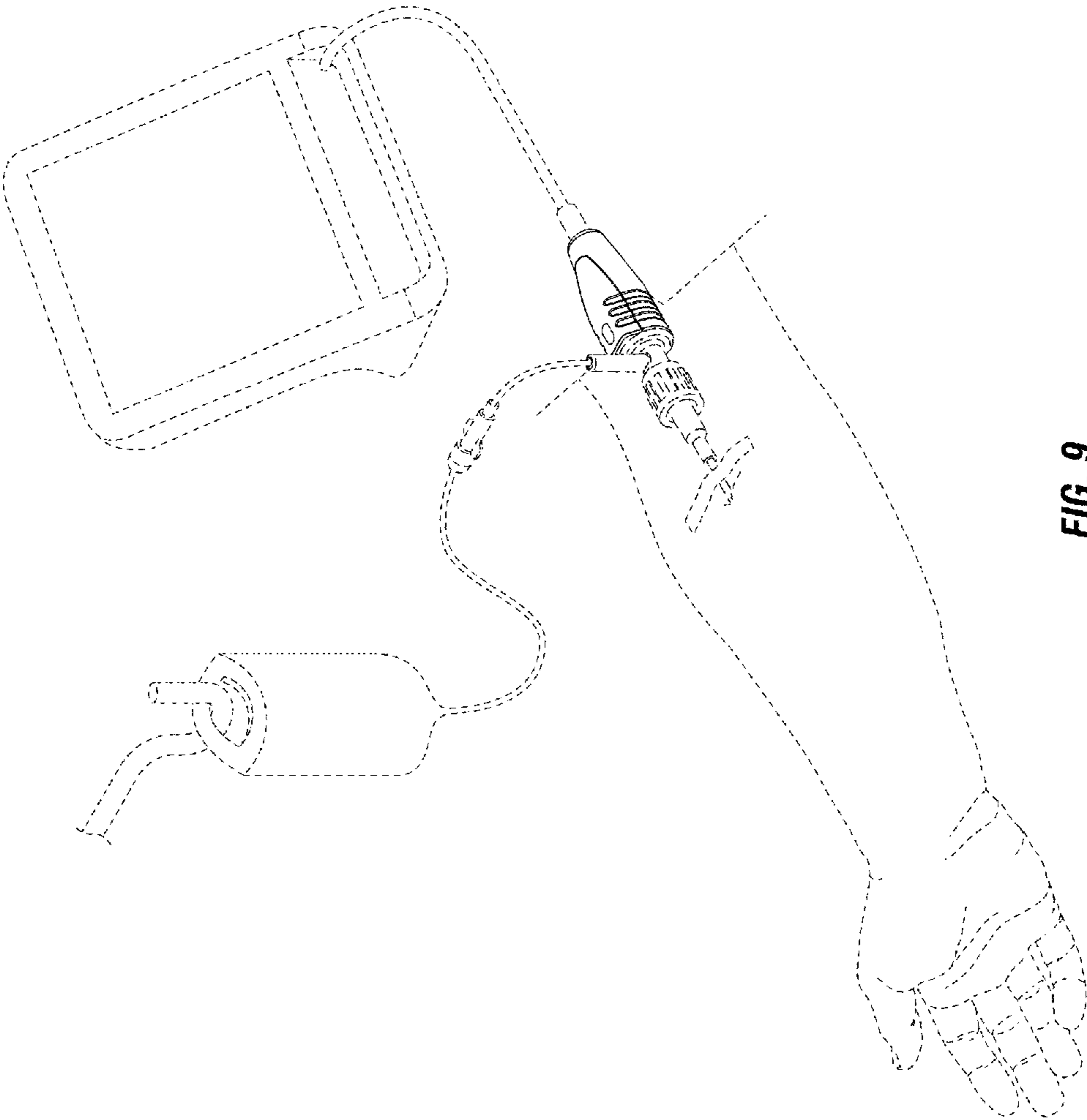


FIG. 9