



US00D741476S

(12) **United States Design Patent**
Hiraoka et al.

(10) **Patent No.:** **US D741,476 S**
(45) **Date of Patent:** **** Oct. 20, 2015**

(54) **MEDICAL SYRINGE**

(71) Applicant: **Otsuka Pharmaceutical Co., Ltd.**,
Tokyo (JP)

(72) Inventors: **Shogo Hiraoka**, Osaka (JP); **Hiroshi Aihara**, Osaka (JP); **Akifumi Takeuchi**, Osaka (JP); **Yuichiro Takada**, Osaka (JP); **Takaaki Nakao**, Tokushima (JP)

(73) Assignee: **OTSUKA PHARMACEUTICAL CO., LTD.**, Tokyo (JP)

(**) Term: **14 Years**

(21) Appl. No.: **29/494,528**

(22) Filed: **Jun. 20, 2014**

(51) **LOC (10) Cl.** **24-02**

(52) **U.S. Cl.**
USPC **D24/114**

(58) **Field of Classification Search**
USPC D24/112-114, 133, 186, 104, 127-131;
606/181, 185; 604/264, 272, 115, 232,
604/187, 158, 164.08, 192, 263, 163, 181,
604/184, 198, 227
CPC A61M 5/31596; A61M 2005/1787;
A61M 2005/31508; A61M 5/31511; A61M
2005/3121; A61M 2005/31598; A61M
2005/3123
See application file for complete search history.

(56) **References Cited**

U.S. PATENT DOCUMENTS

4,978,340	A *	12/1990	Terrill et al.	604/195
5,509,903	A *	4/1996	Grendahl et al.	604/187
D383,205	S *	9/1997	Pagay et al.	D24/112
5,807,343	A *	9/1998	Tucker et al.	604/187
D419,671	S *	1/2000	Jansen	D24/112
D419,673	S *	1/2000	Schattner	D24/128
D445,176	S *	7/2001	Landers	D24/114

D447,797	S *	9/2001	Odell et al.	D24/112
6,319,233	B1 *	11/2001	Jansen et al.	604/192
8,337,468	B1 *	12/2012	Reis et al.	604/198
2005/0277892	A1 *	12/2005	Chen	604/192
2008/0009789	A1 *	1/2008	Zinger et al.	604/89
2011/0009830	A1 *	1/2011	Kosinski et al.	604/227
2014/0005610	A1	1/2014	Kakiuchi et al.	

FOREIGN PATENT DOCUMENTS

JP	A-08-112333	5/1996
JP	B-2514472	7/1996
JP	A-2007-111156	5/2007
JP	B-4757951	8/2011
TW	200744694 A	12/2007

(Continued)

OTHER PUBLICATIONS

Design U.S. Appl. No. 24/487,740, filed Apr. 11, 2014, 13 pages.

Primary Examiner — David Muller

Assistant Examiner — Nathan Johnston

(74) *Attorney, Agent, or Firm* — Finnegan, Henderson, Farabow, Garrett & Dunner, L.L.P.

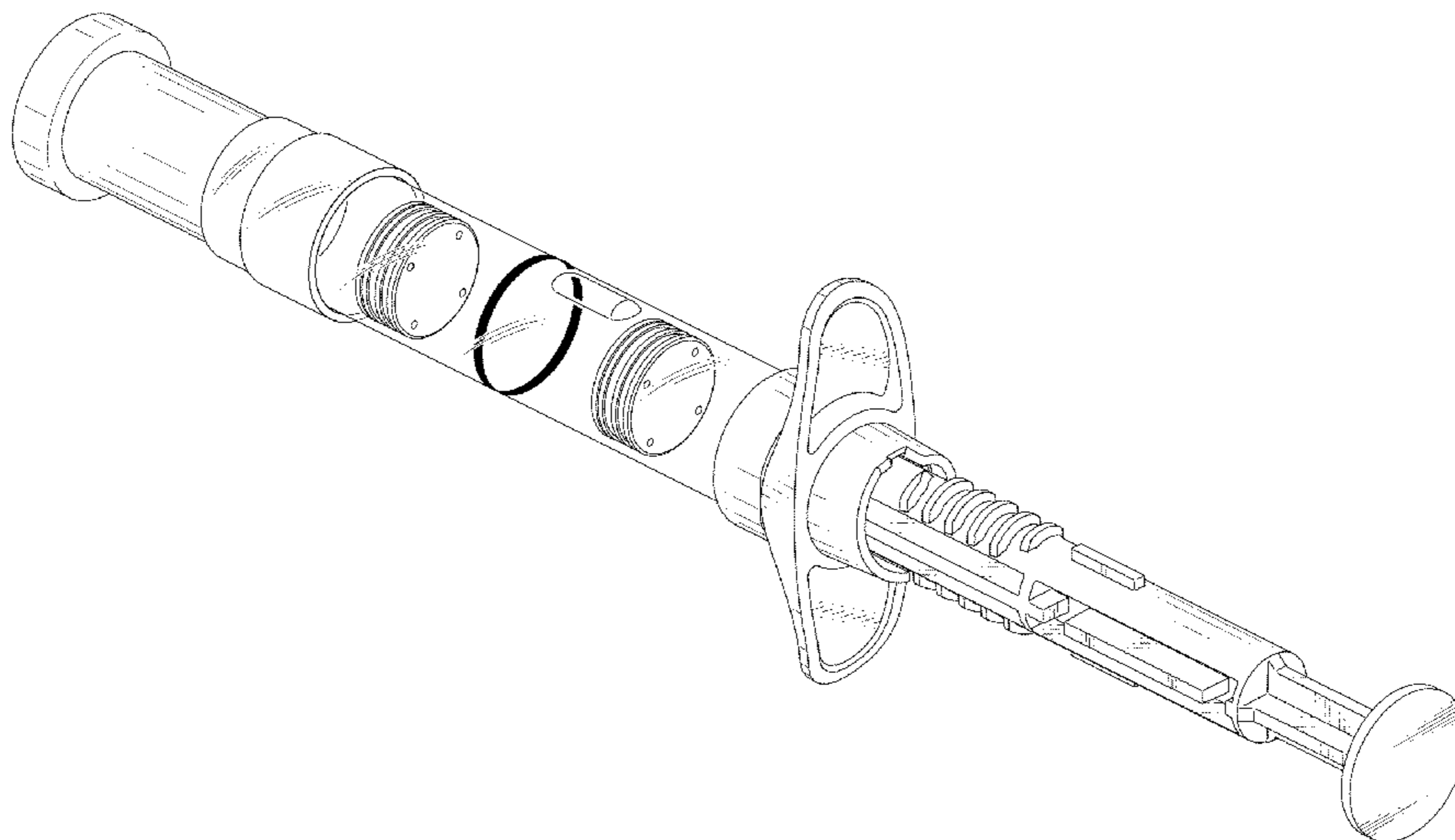
(57) **CLAIM**

The ornamental design for a medical syringe, as shown and described.

DESCRIPTION

FIG. 1 is a front right perspective view of a medical syringe showing our new design;
FIG. 2 is a front elevation view thereof;
FIG. 3 is a rear elevation view thereof;
FIG. 4 is a top plan view thereof;
FIG. 5 is a bottom plan view thereof;
FIG. 6 is a left side elevation view thereof; and,
FIG. 7 is a right side elevation view thereof.
The broken lines of even length shown in the drawings illustrate portions of the medical syringe that form no part of the claimed design.

1 Claim, 6 Drawing Sheets



(56)

References Cited

WO WO 95/17916 A1 7/1995
WO WO 2012/067141 A1 5/2012

FOREIGN PATENT DOCUMENTS

WO WO 95/11711 A1 5/1995

* cited by examiner

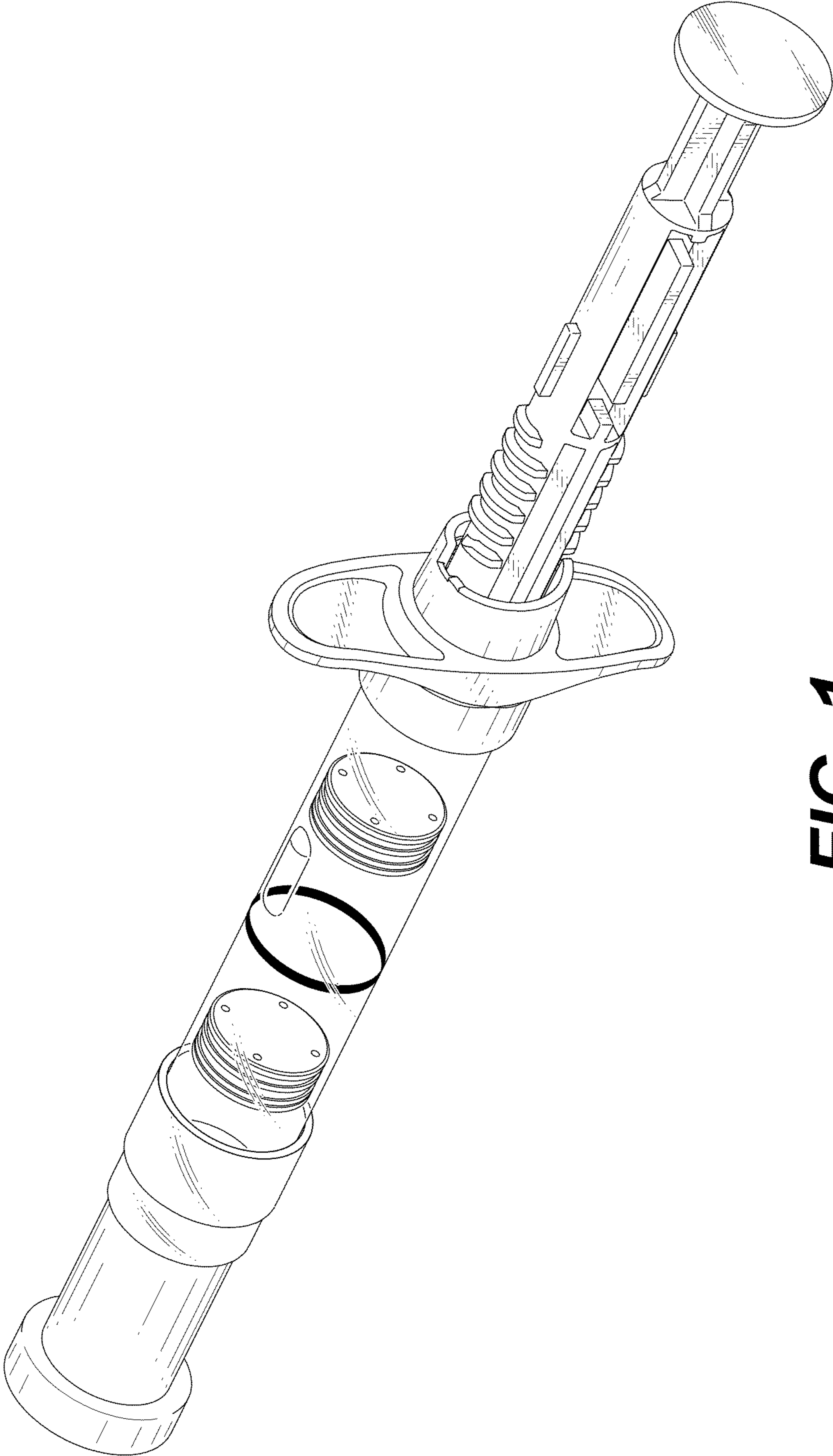


FIG. 1

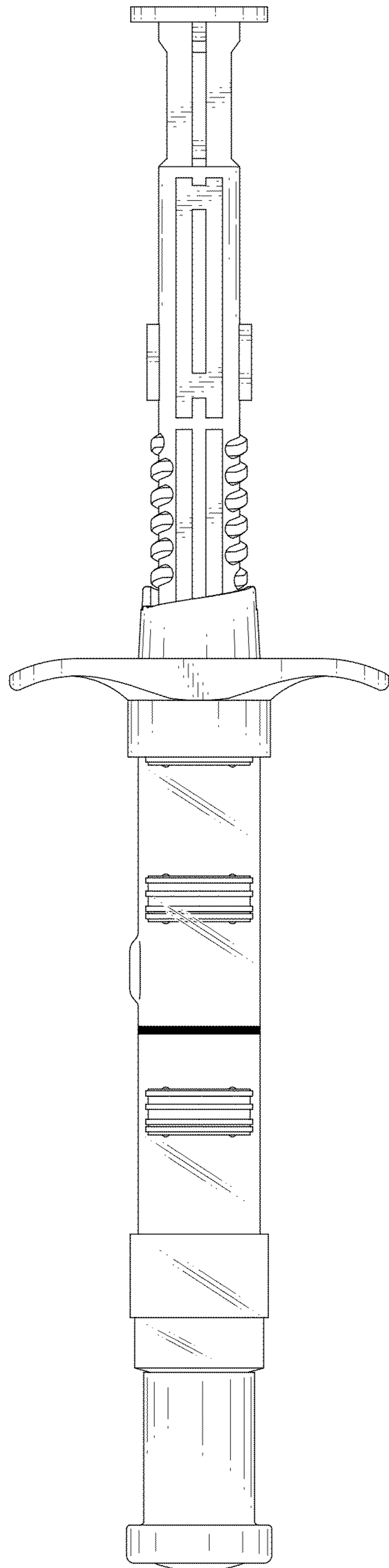


FIG. 2

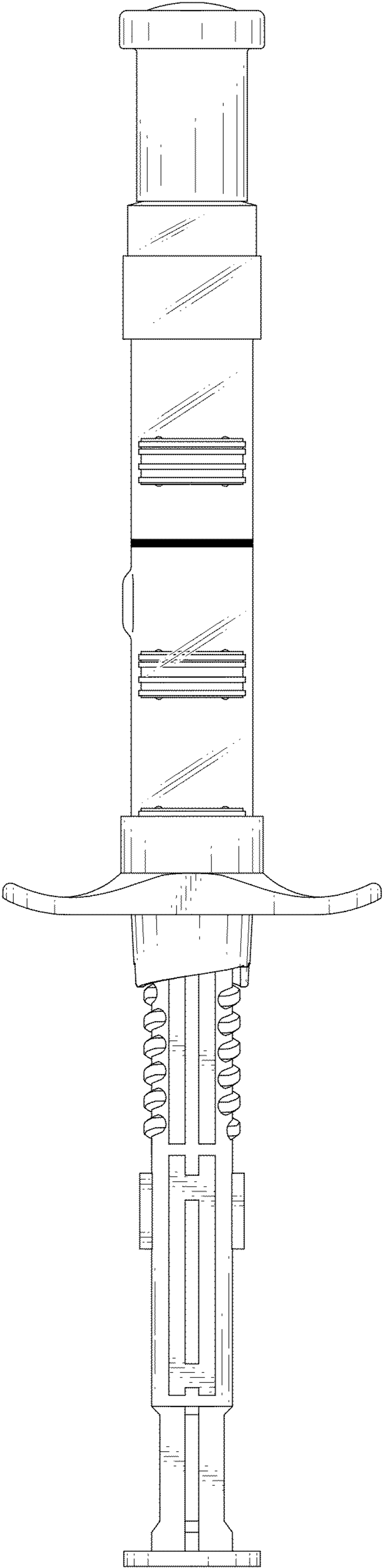


FIG. 3

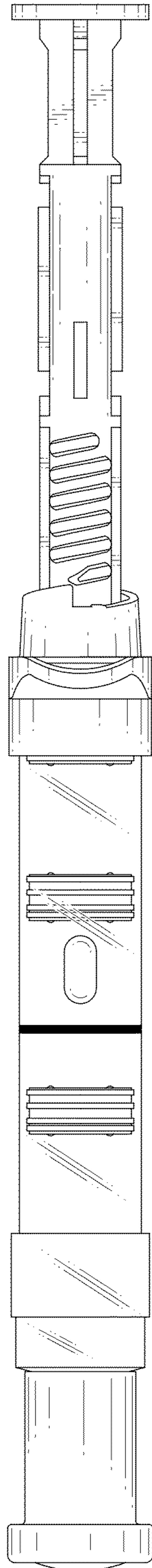


FIG. 4

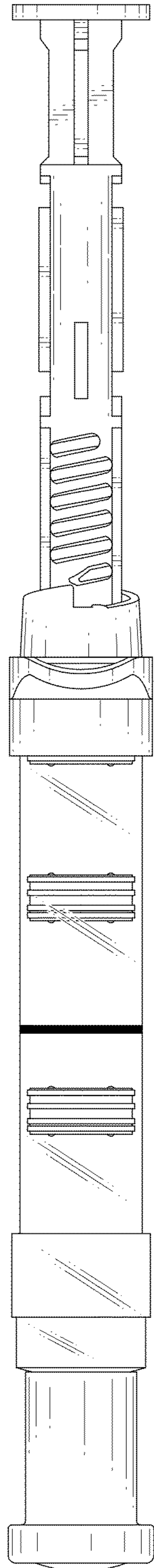


FIG. 5

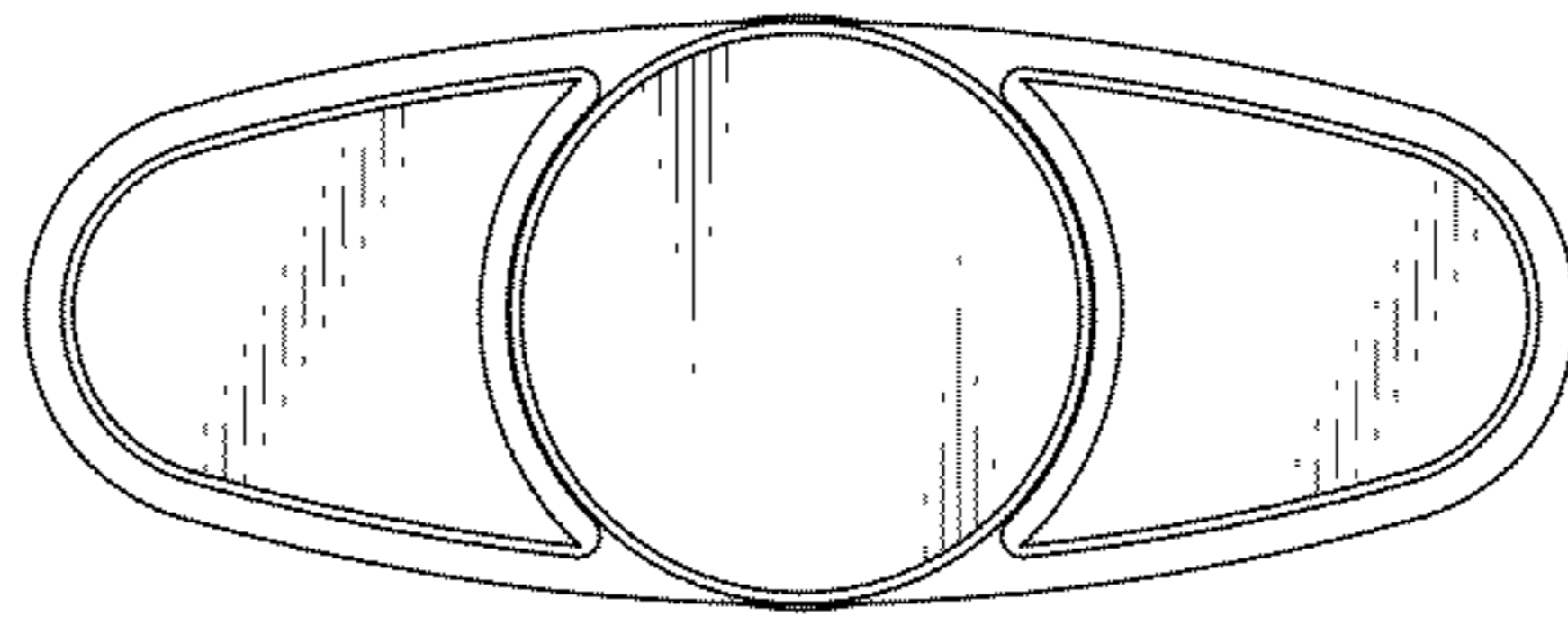


FIG. 7

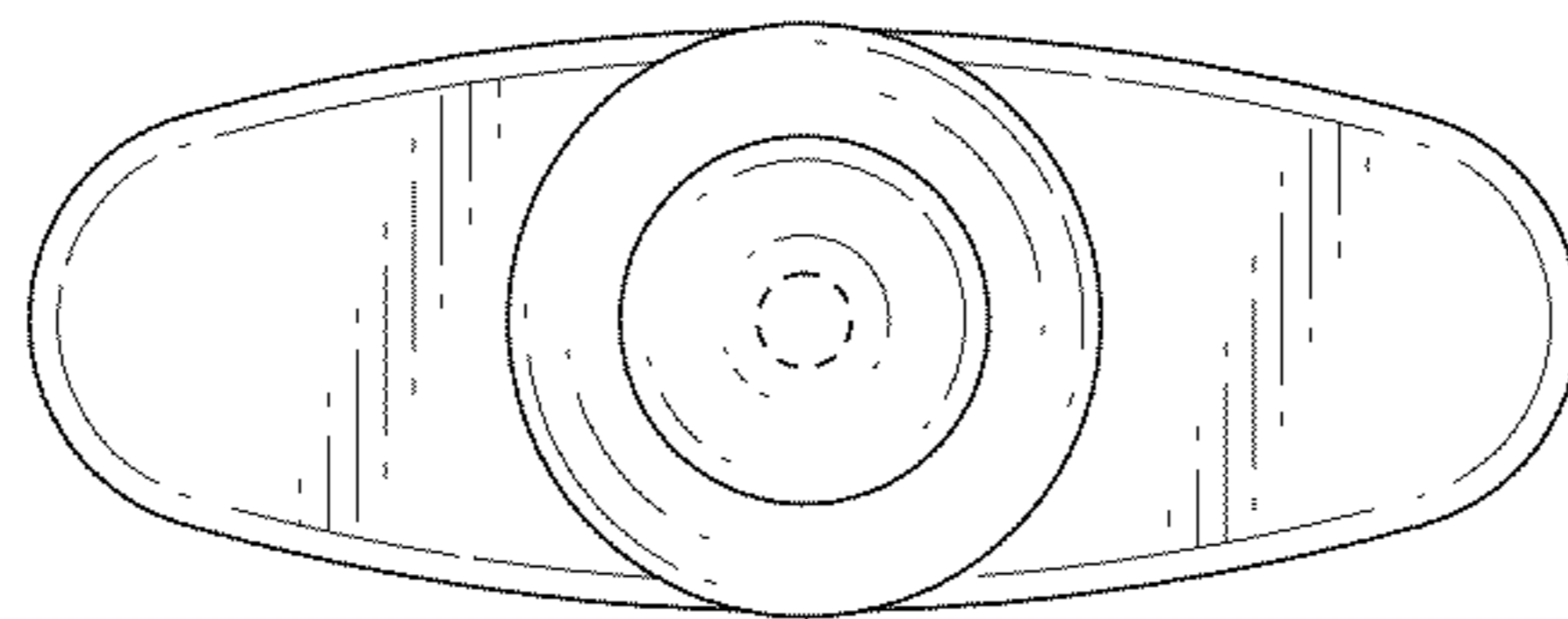


FIG. 6